

[54] COMBINED COOKING AND STORAGE CONTAINER

[75] Inventor: James B. Stewart, Randolph, N.J.

[73] Assignee: Kidde Consumer Durables Corp., Bala Cynwyd, Pa.

[\*\*] Term: 14 Years

[21] Appl. No.: 847,896

[22] Filed: Apr. 4, 1986

[52] U.S. Cl. .... D7/21; D7/360

[58] Field of Search ..... D7/354, 360, 16, 18, D7/21, 1, 37; 219/10.55 E; D9/425, 424, 432; D34/40, 43

[56] References Cited

U.S. PATENT DOCUMENTS

- D. 175,202 7/1955 Tupper ..... D7/76
- D. 216,531 2/1970 Stone ..... D7/1
- 2,695,645 11/1954 Tupper ..... D7/76 X
- 4,183,435 1/1980 Thompson ..... 219/10.55 E X
- 4,478,349 10/1984 Haverland, Jr. et al. ... 219/10.55 E X

OTHER PUBLICATIONS

*Fortun Off*, Housewares Sale Catalog, p. M, Panels at top M-1 and M-2/Rubbermaid's Servin' Saver Sets. *Retailing Home Furnishings*, Jan. 16, 1978, p. 14, Sec. 3, Eagle Micro Masters Oven Accessories/Covered Dishes Square Oblong. *Gifts & Decorative Accessories*, Nov. 1975, p. 39, top left panel, set of China Stacking Bowls.

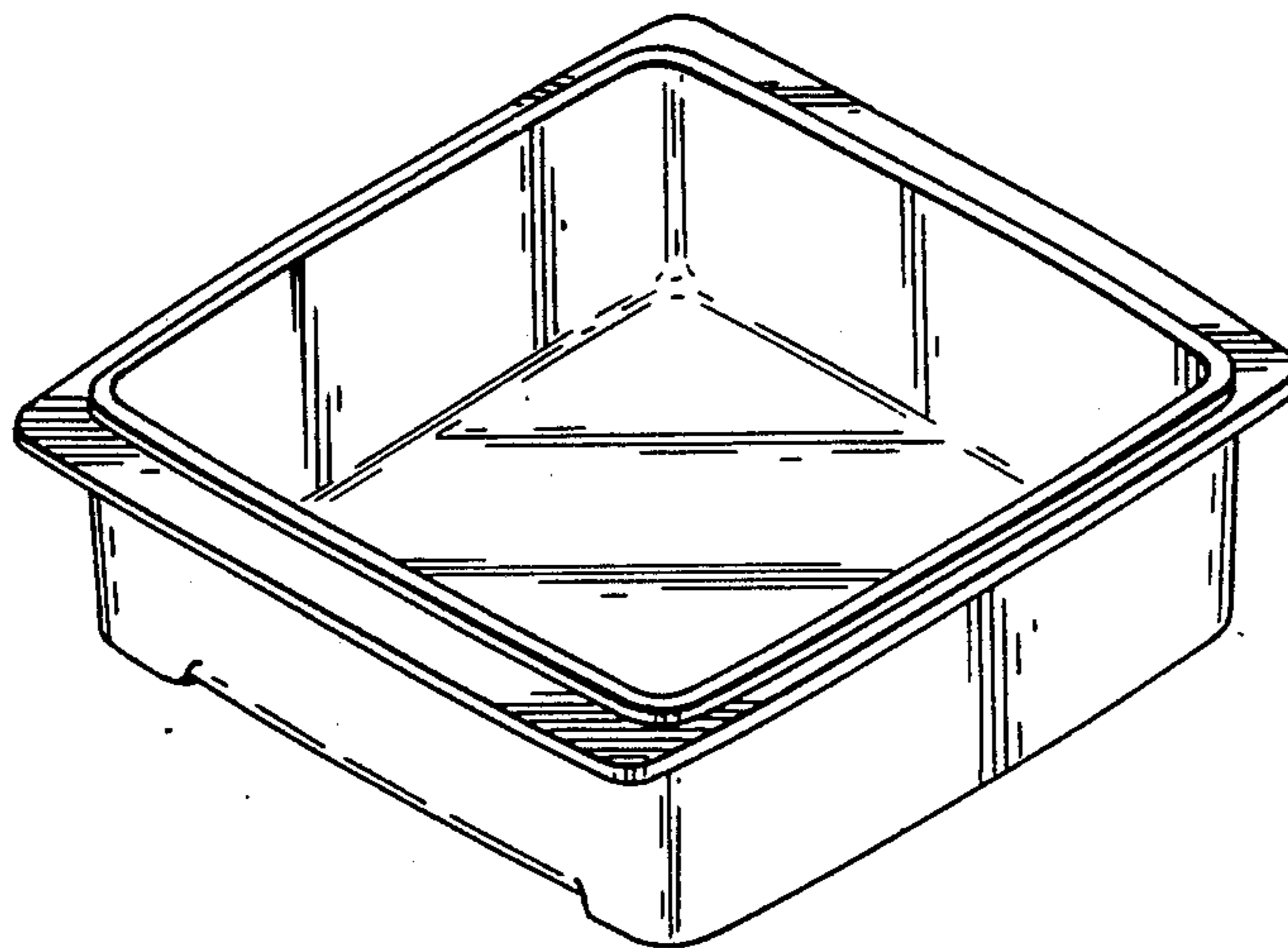
Primary Examiner—Winifred E. Herrmann  
 Attorney, Agent, or Firm—Seidel, Gonda, Lavorgna & Monaco

[57] CLAIM

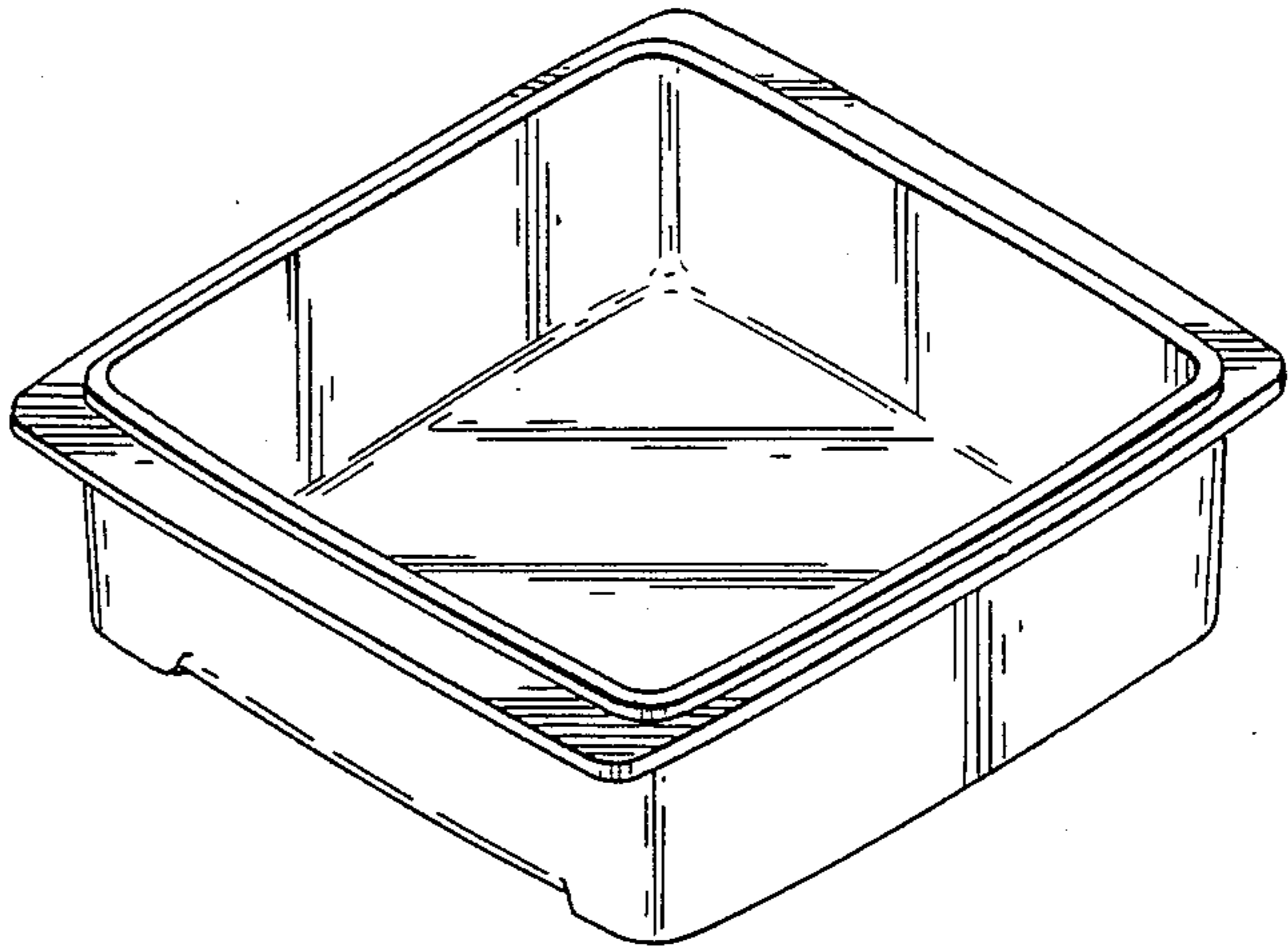
The ornamental design for a combined cooking and storage container, as shown and described.

DESCRIPTION

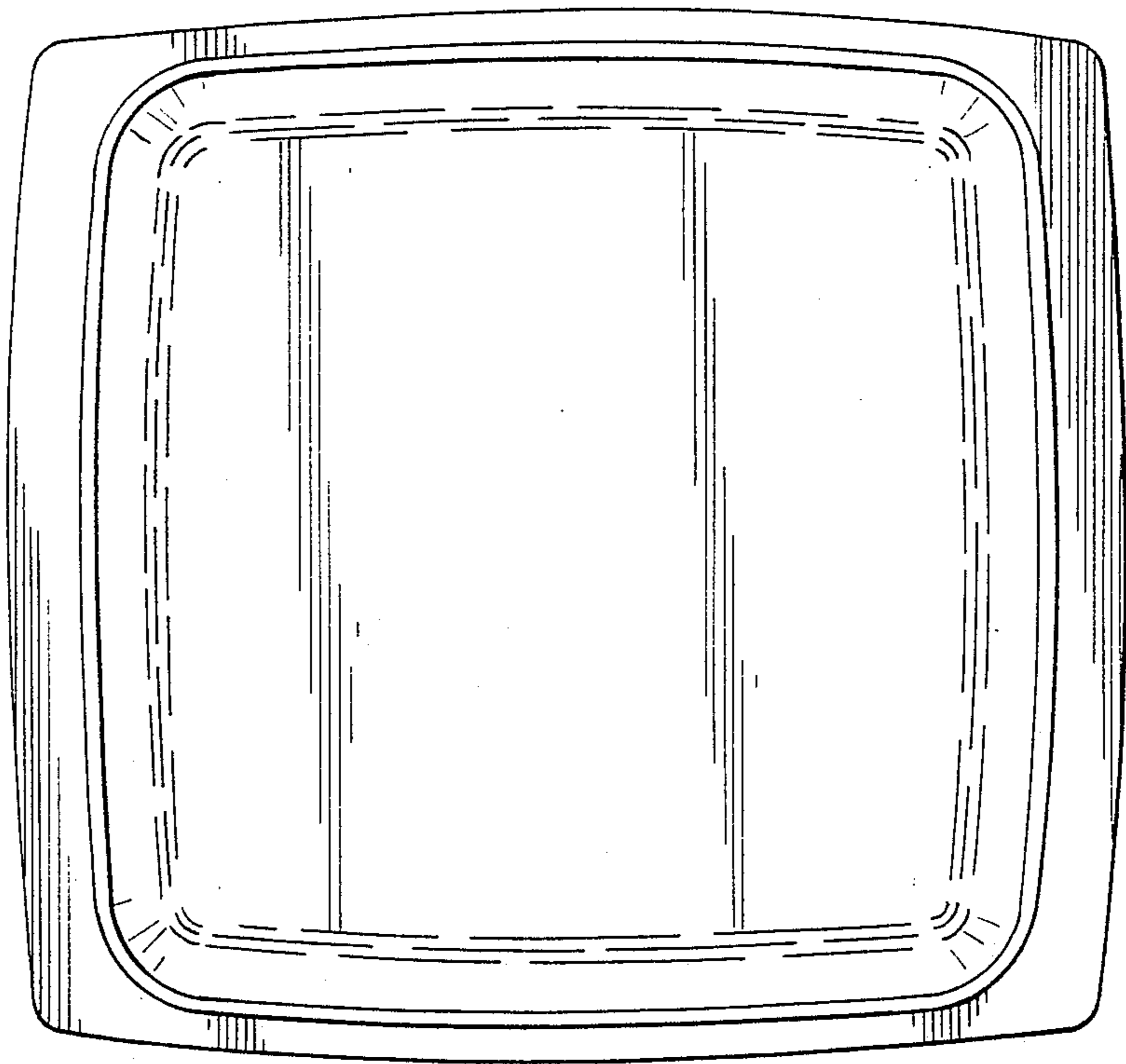
FIG. 1 is a top perspective view of a cooking and storage container showing my new design;  
 FIG. 2 is a top plan view thereof;  
 FIG. 3 is a bottom plan view thereof;  
 FIG. 4 is a front elevation thereof, the rear elevation being a mirror image thereof;  
 FIG. 5 is a side elevation thereof, the opposite side elevation being a mirror image thereof.



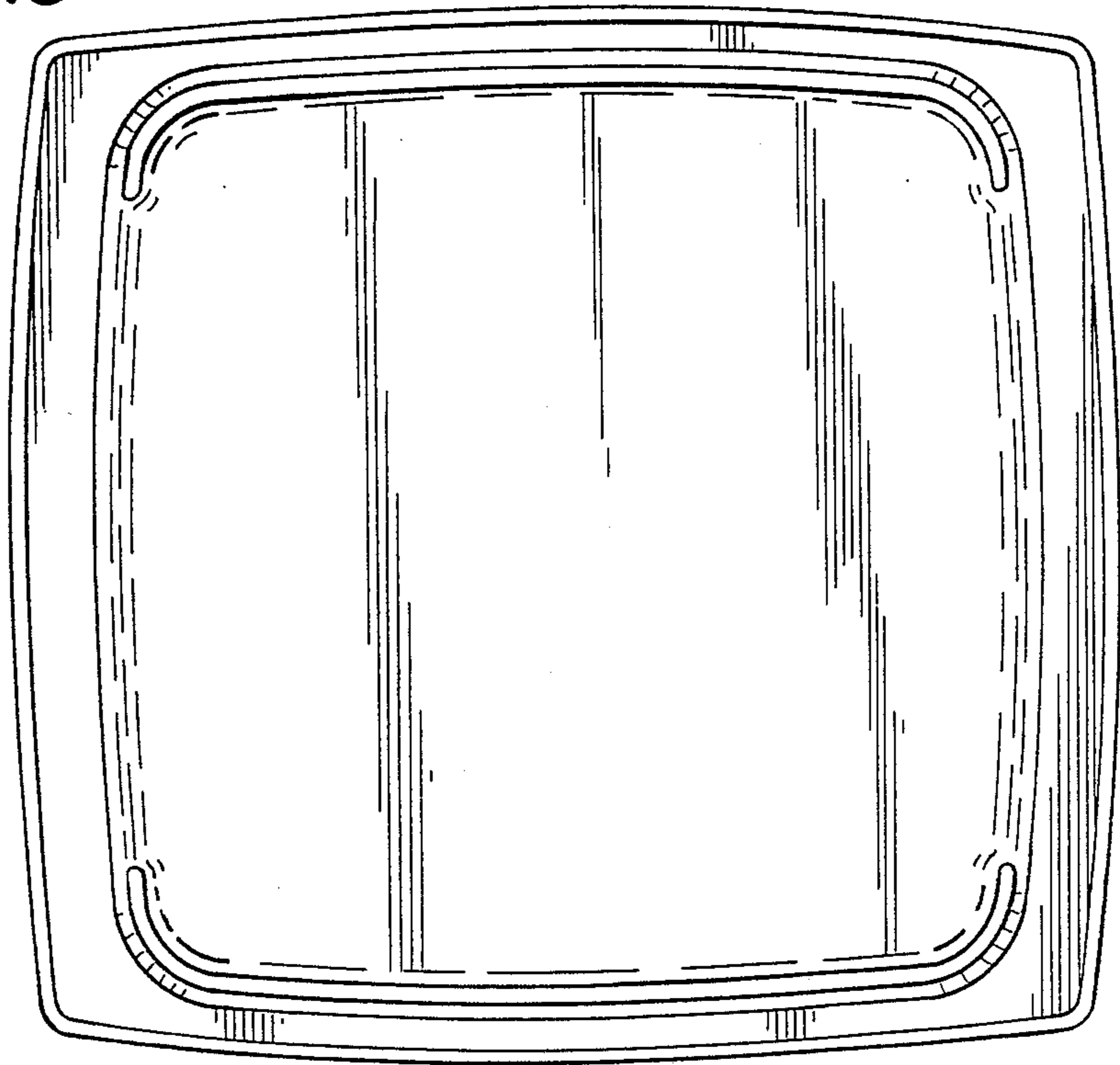
*FIG. 1*



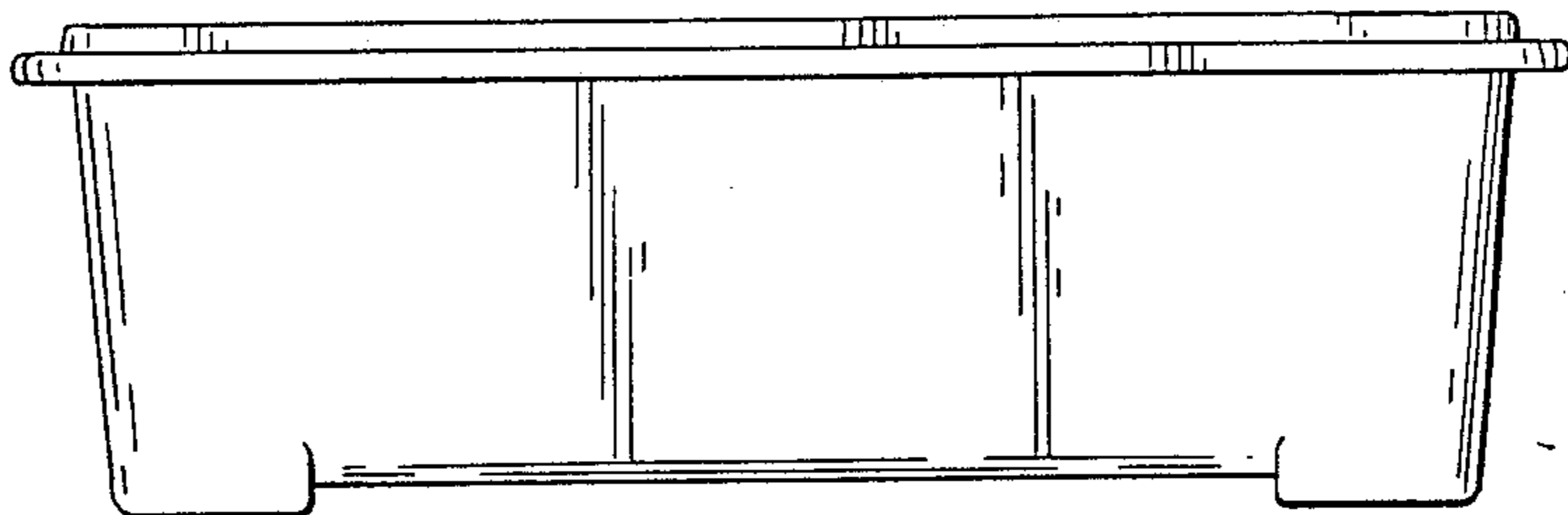
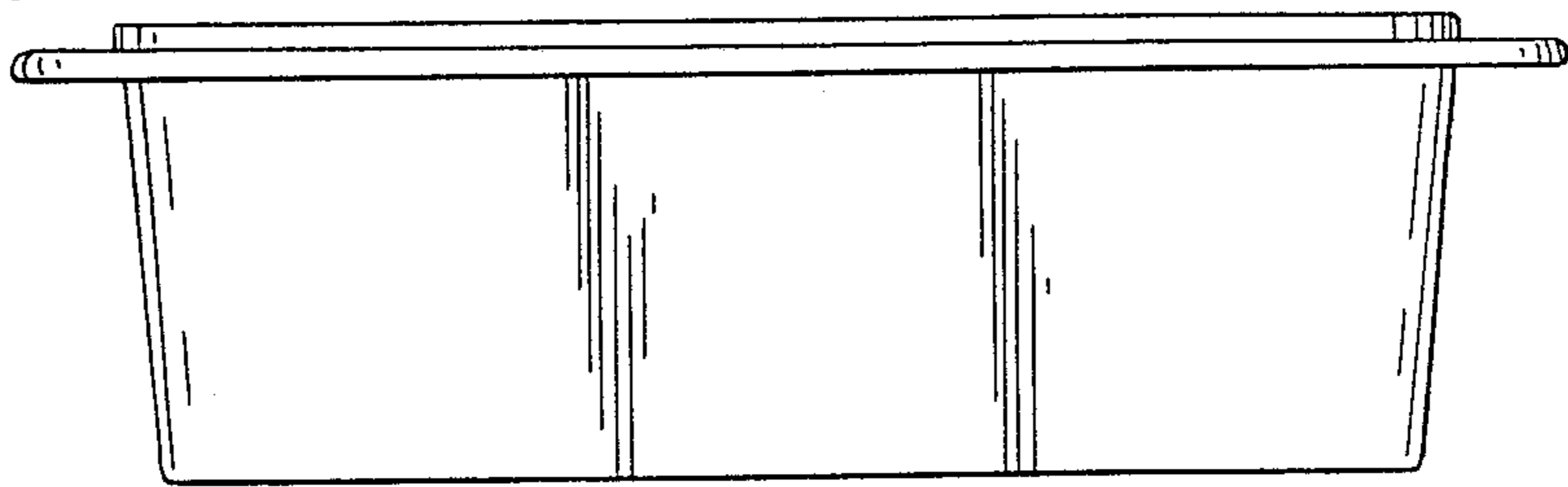
*FIG. 2*



*FIG. 3*



*FIG. 4*



*FIG. 5*