

[54] CANTILEVERED CHAIR

[76] Inventor: Mark Mascheroni, 37 E. 67th St., New York, N.Y. 10021

[**] Term: 14 Years

[21] Appl. No.: 866,690

[22] Filed: May 22, 1986

[52] U.S. Cl. D6/372

[58] Field of Search D6/372, 373

[56] References Cited

U.S. PATENT DOCUMENTS

D. 250,559 12/1978 Petersen D6/372

D. 274,579 7/1984 Diffrient D6/372

OTHER PUBLICATIONS

Interiors, Jul. 1976, p. 84, Chair at right.

Primary Examiner—Carmen H. Vales-Lado

Attorney, Agent, or Firm—Handal & Morofsky

[57] CLAIM

The ornamental design for a cantilevered chair, as shown and described.

DESCRIPTION

FIG. 1 is a perspective view of a cantilevered chair showing my new design;

FIG. 2 is a front elevational view thereof;

FIG. 3 is a left side elevational view thereof;

FIG. 4 is a rear elevational view thereof;

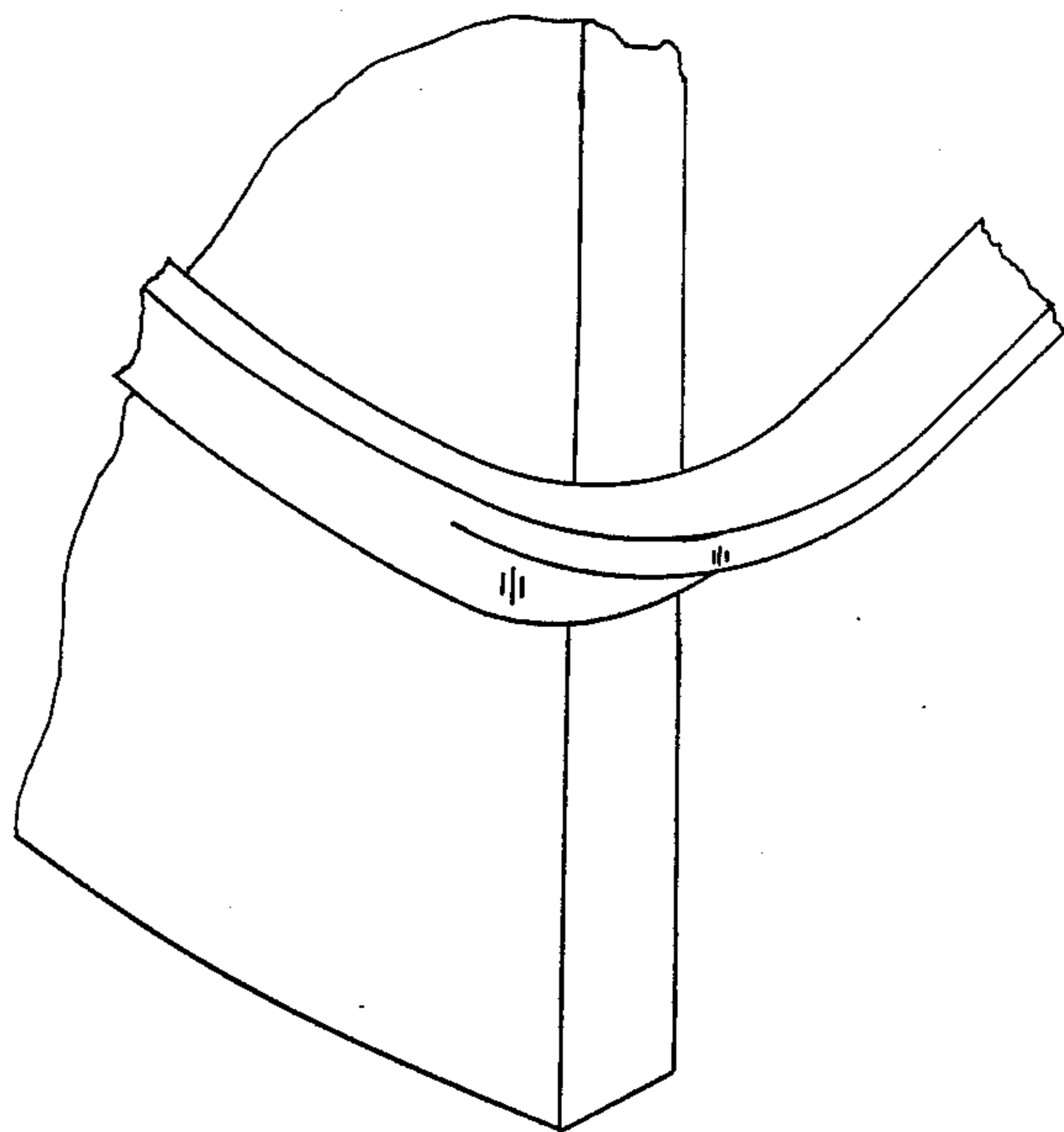
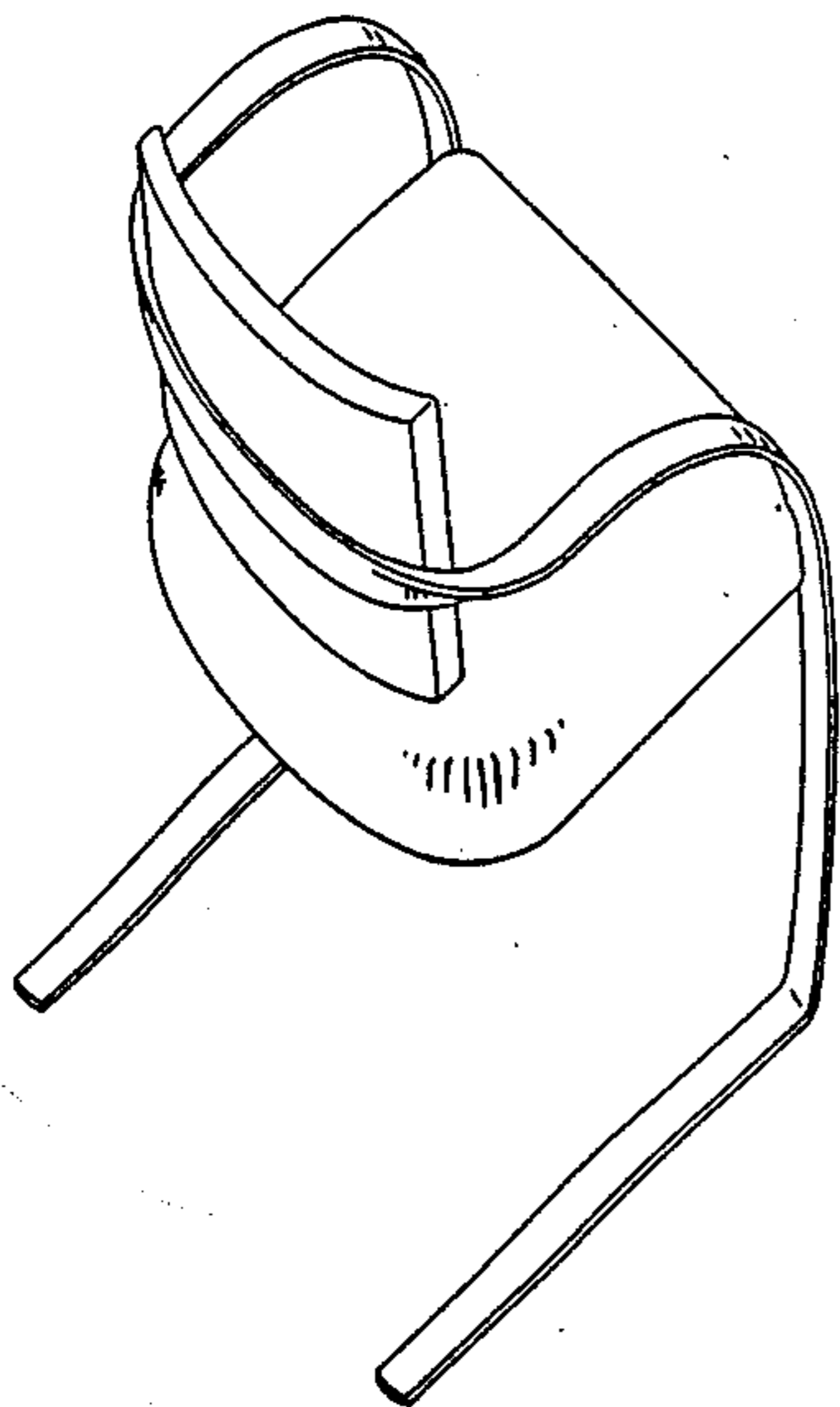
FIG. 5 is a top plan view thereof;

FIG. 6 is a bottom plan view thereof;

FIG. 7 is an enlarged fragmentary top perspective view of the joint of the chair of FIG. 1; and

FIG. 8 is an enlarged fragmentary bottom perspective view thereof.

The design is characterized by the specific configuration of the joint as illustrated by enlarged FIGS. 7 and 8.



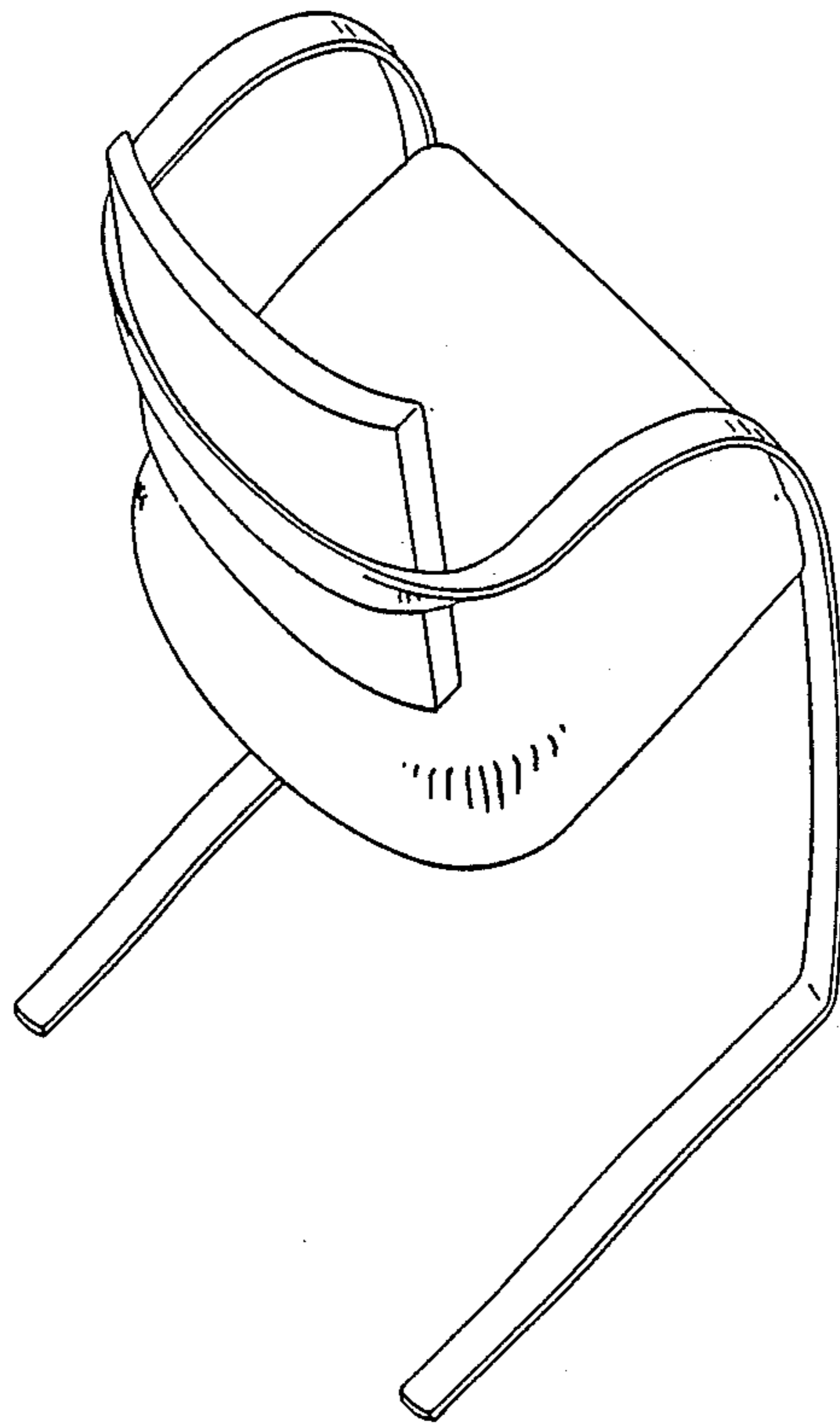


FIGURE 1

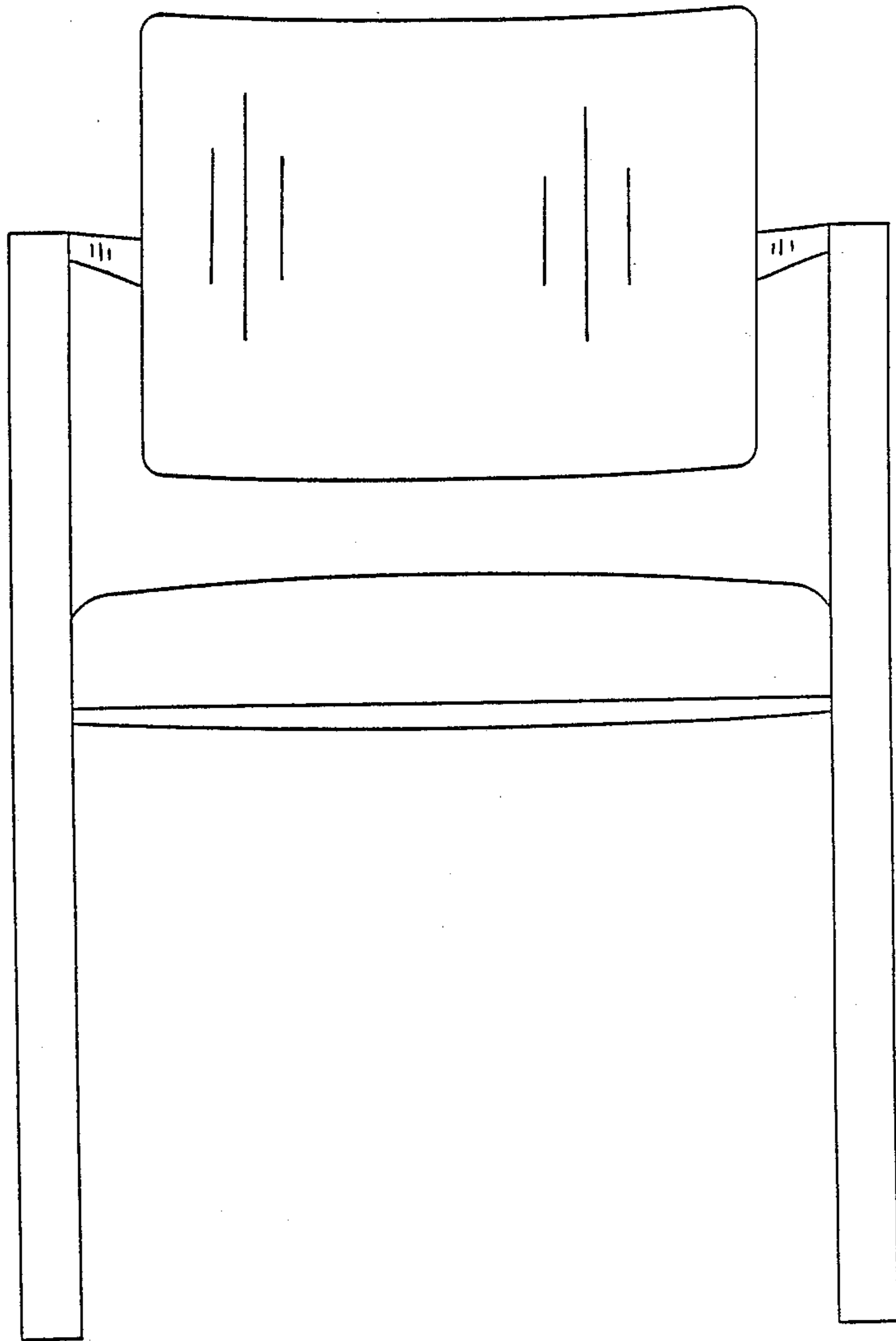


FIGURE 2

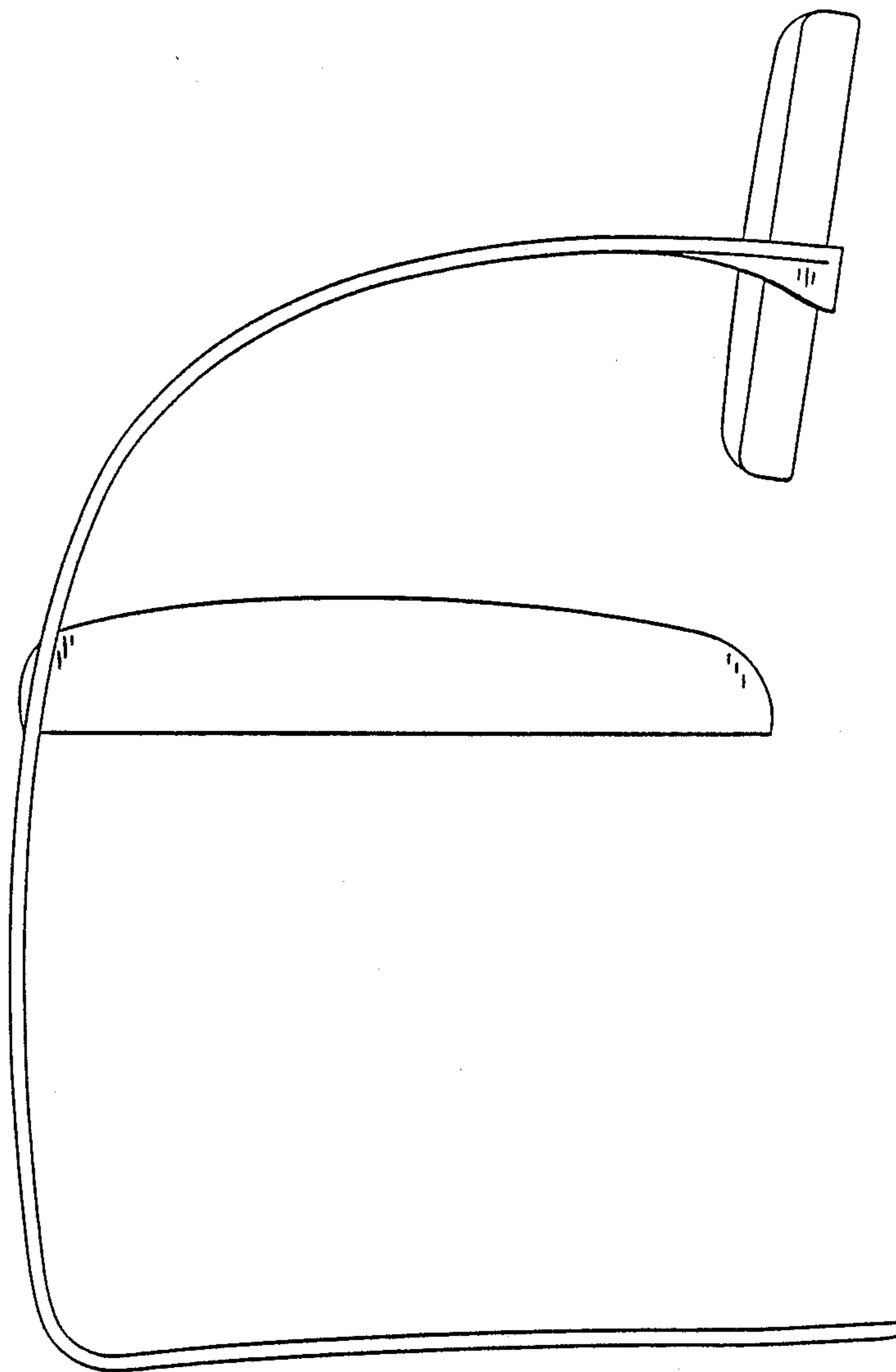


FIGURE 3

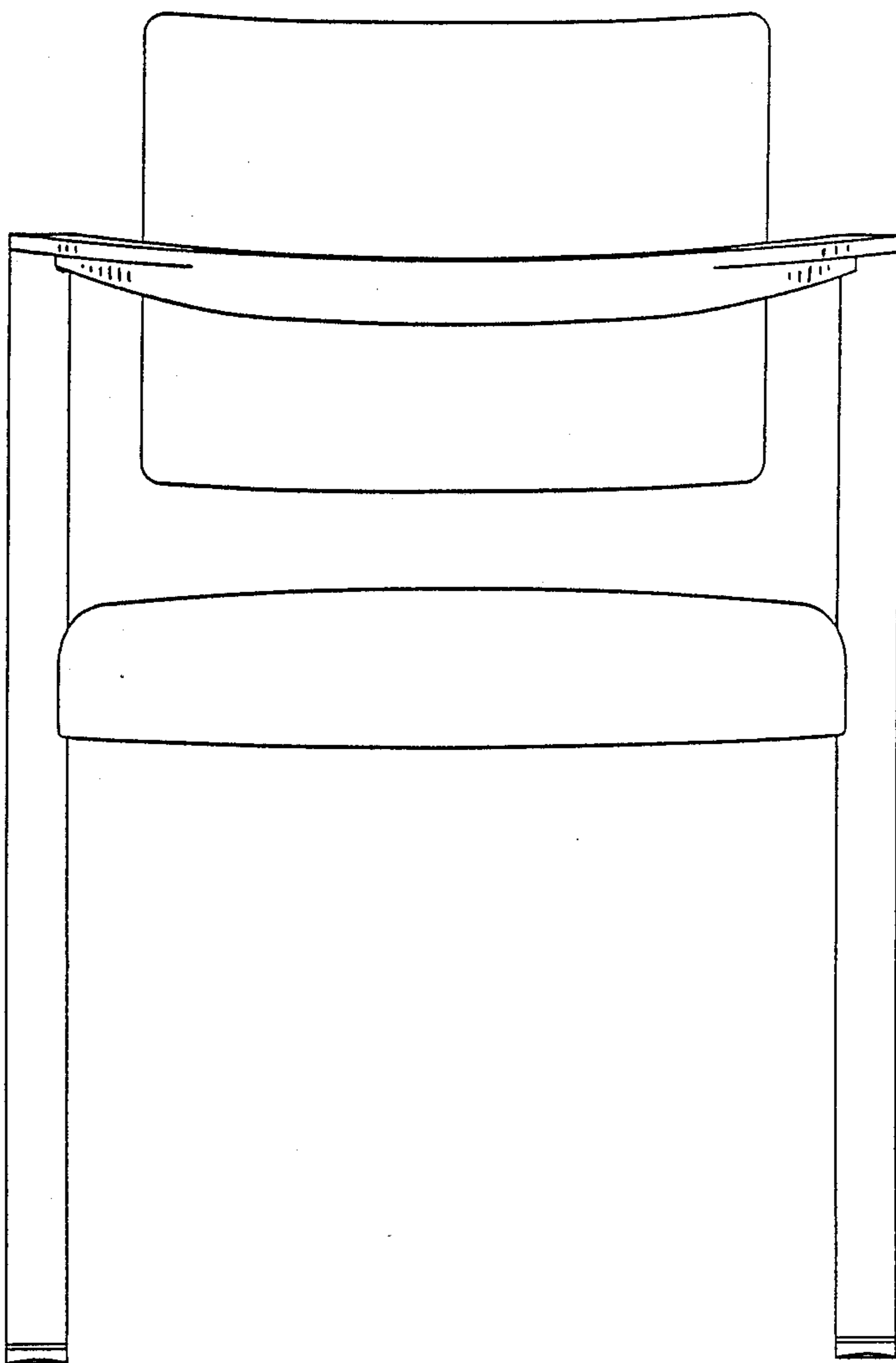


FIGURE 4

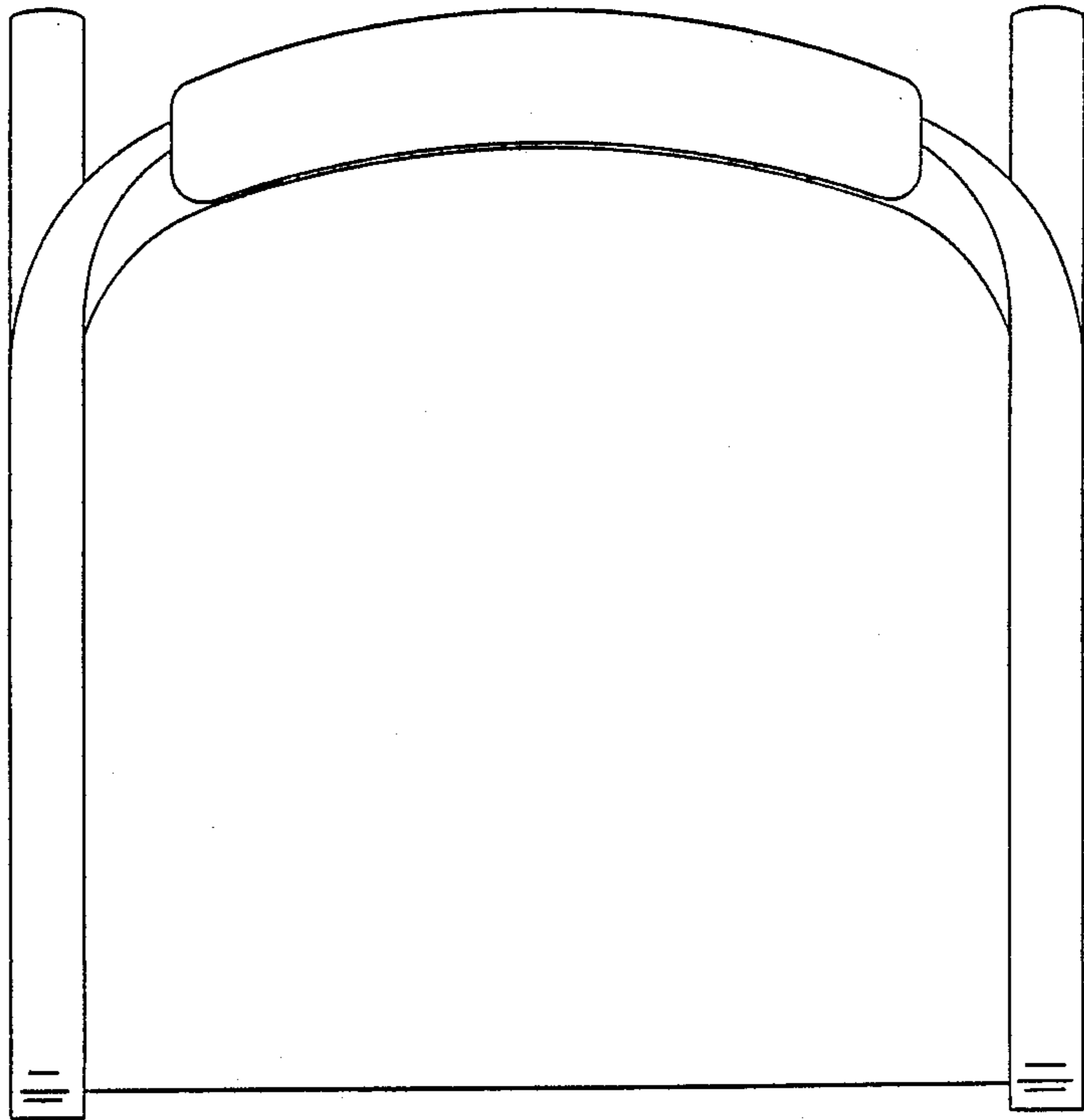


FIGURE 5

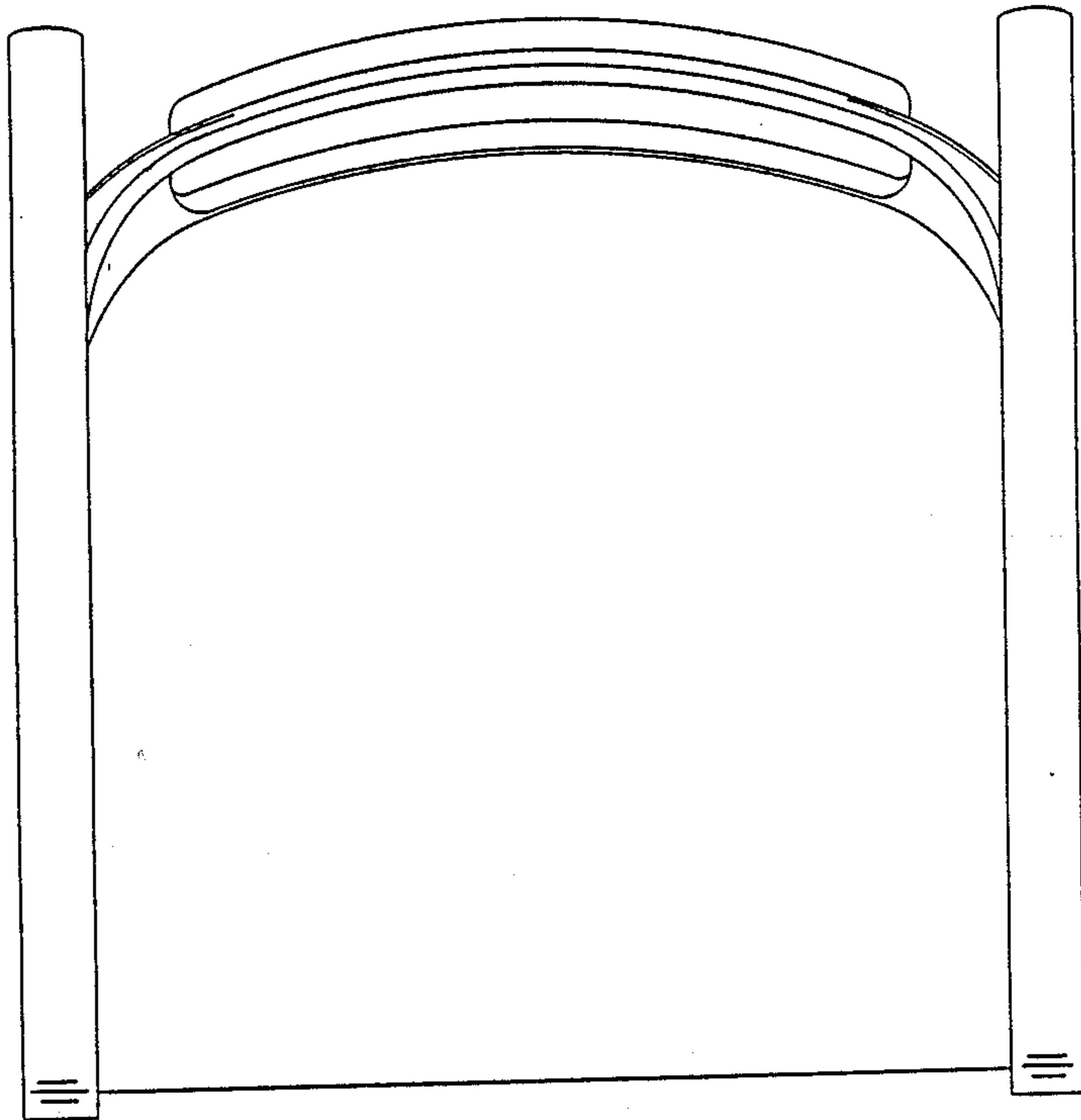


FIGURE 6

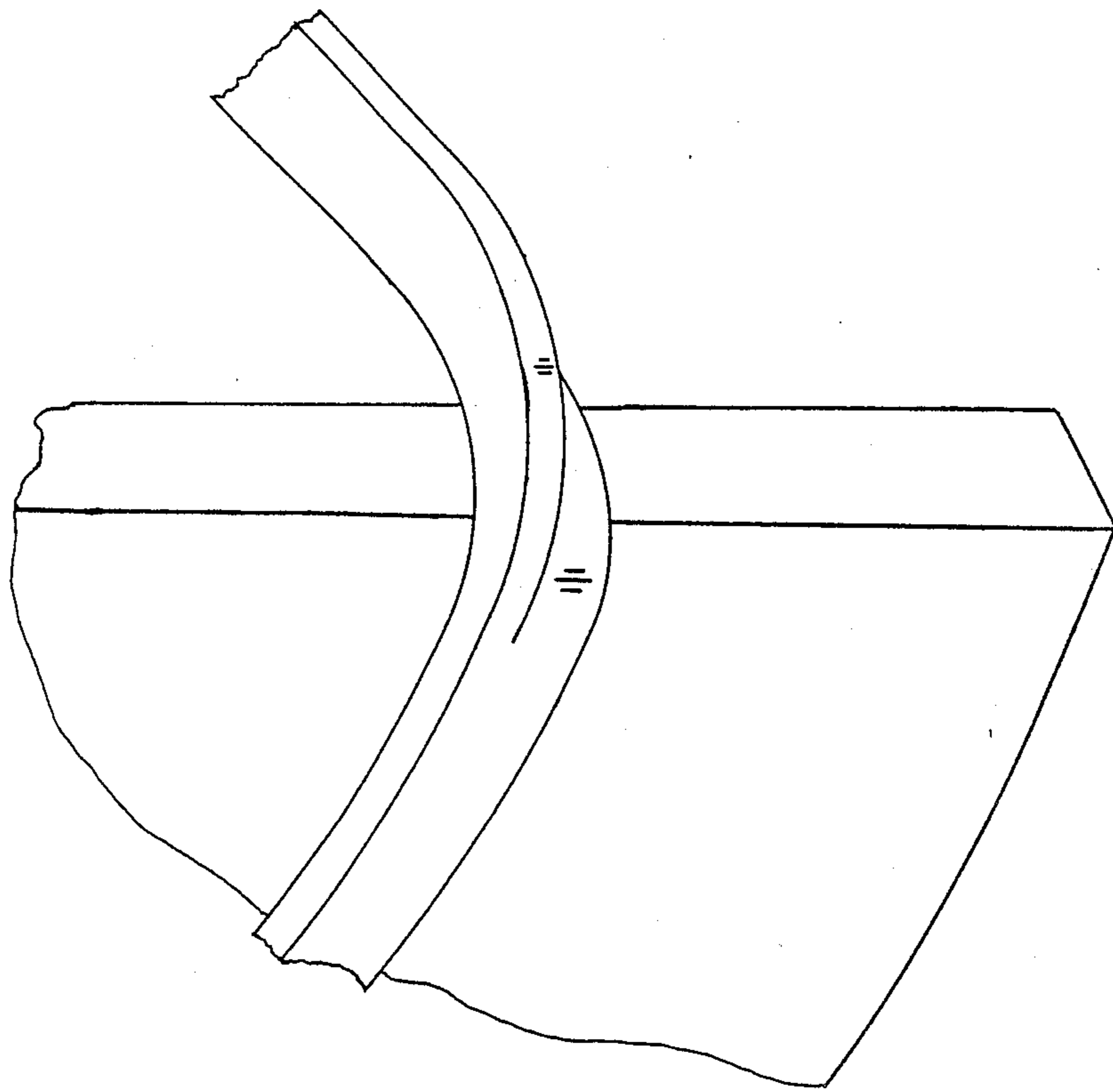


FIGURE 7

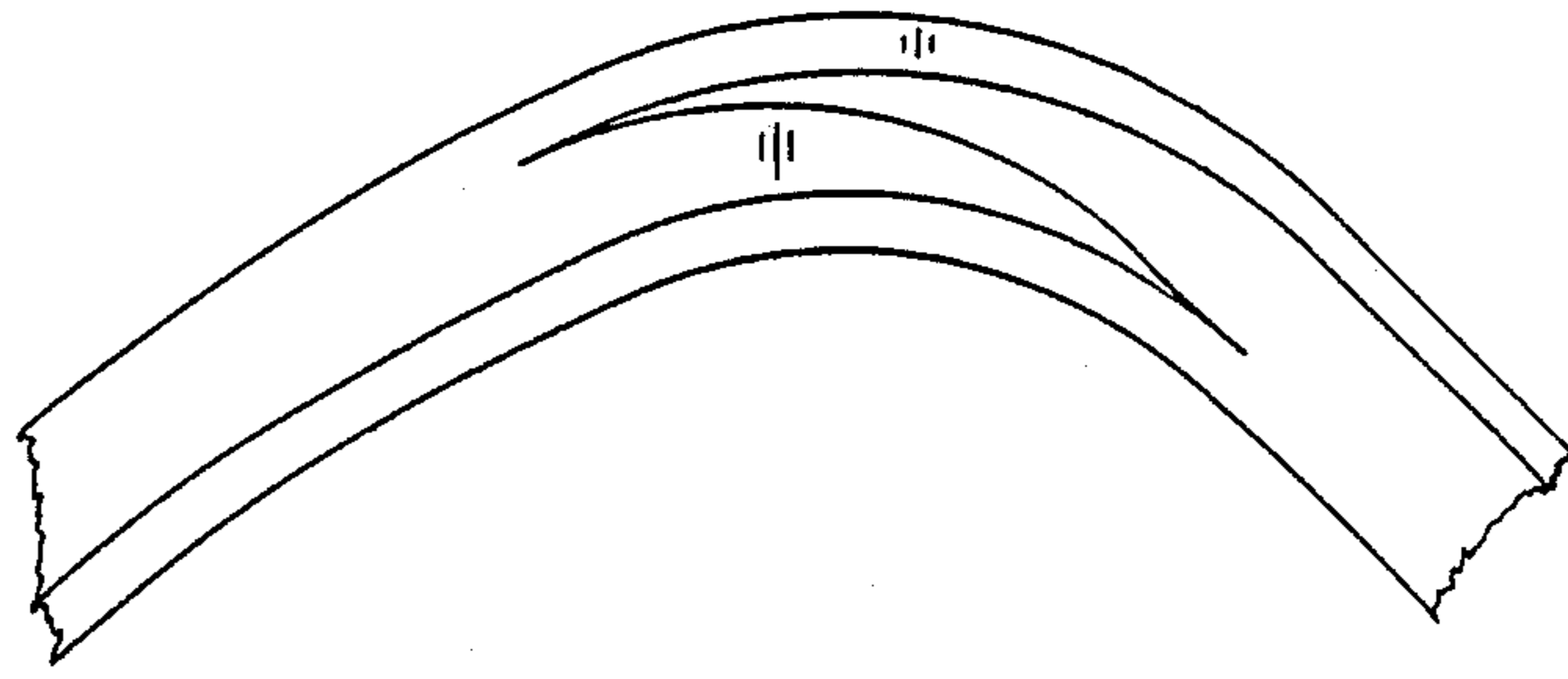


FIGURE 8