

[54] **INFANT BOOSTER CHAIR**
[75] **Inventor: James F. Mariol, Cincinnati, Ohio**
[73] **Assignee: Rubbermaid Commercial Products, Winchester, Va.**
[**] **Term: 14 Years**
[21] **Appl. No.: 1,602**
[22] **Filed: Jan. 8, 1987**
[52] **U.S. Cl. D6/333**
[58] **Field of Search D6/333, 334**

[56] **References Cited**
U.S. PATENT DOCUMENTS
D. 244,325 5/1977 Voytko D6/333
D. 294,310 2/1988 Wise et al. D6/333

3,992,056 11/1976 Koziatek et al. D6/333

Primary Examiner—Nelson C. Holtje
Assistant Examiner—Ann Hunt
Attorney, Agent, or Firm—Richard B. O’Planick

[57] **CLAIM**

The ornamental design for an infant booster chair, as shown and described.

DESCRIPTION

FIG. 1 is a perspective view of the infant booster chair showing my new design;
FIG. 2 is a top plan view on an enlarged scale;
FIG. 3 is a front end elevational view;
FIG. 4 is a side elevational view, the opposite side view being a mirror image;
FIG. 5 is a rear end elevational view; and
FIG. 6 is a bottom plan view thereof.

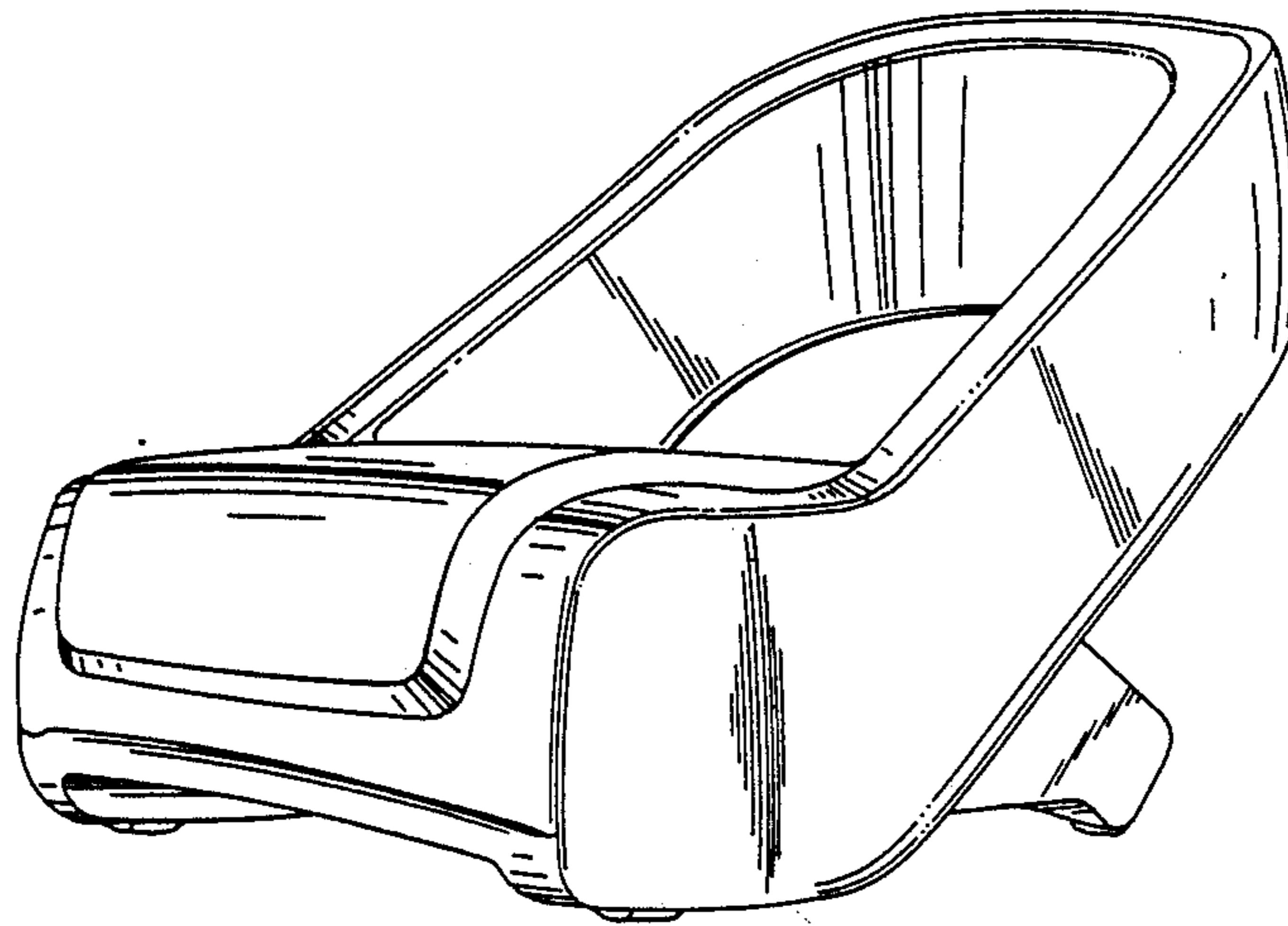


Fig. 1

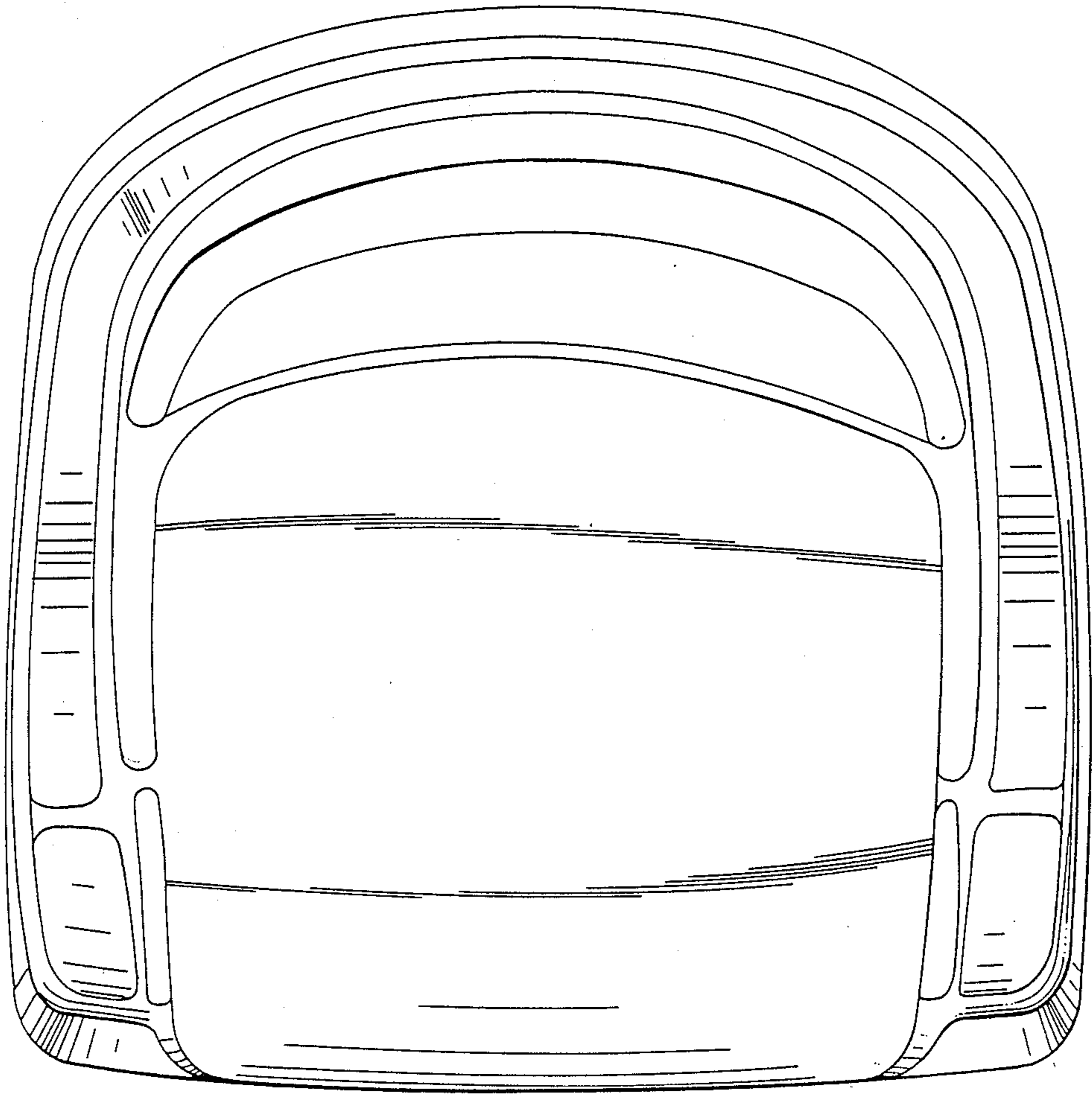
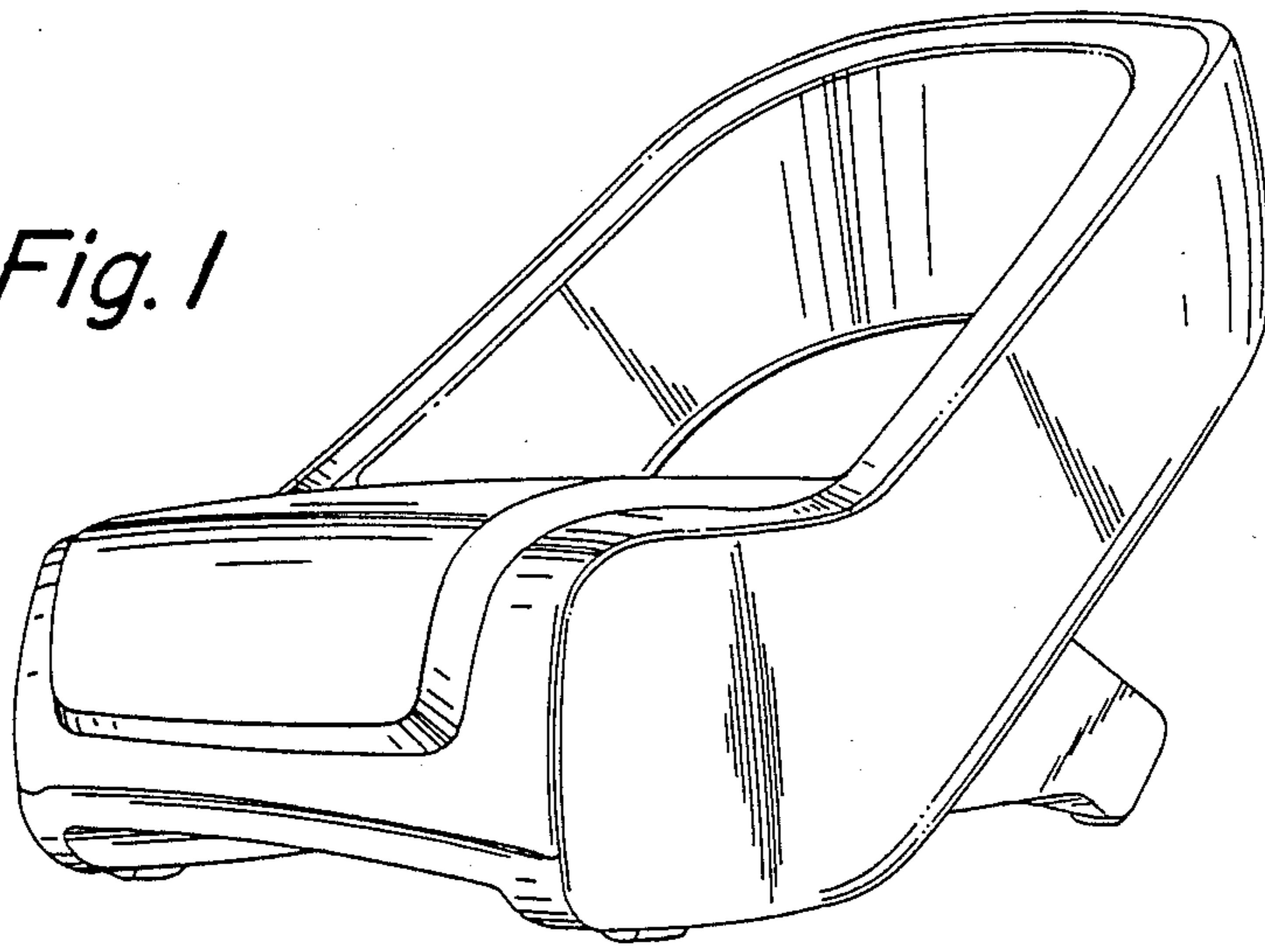


Fig. 2

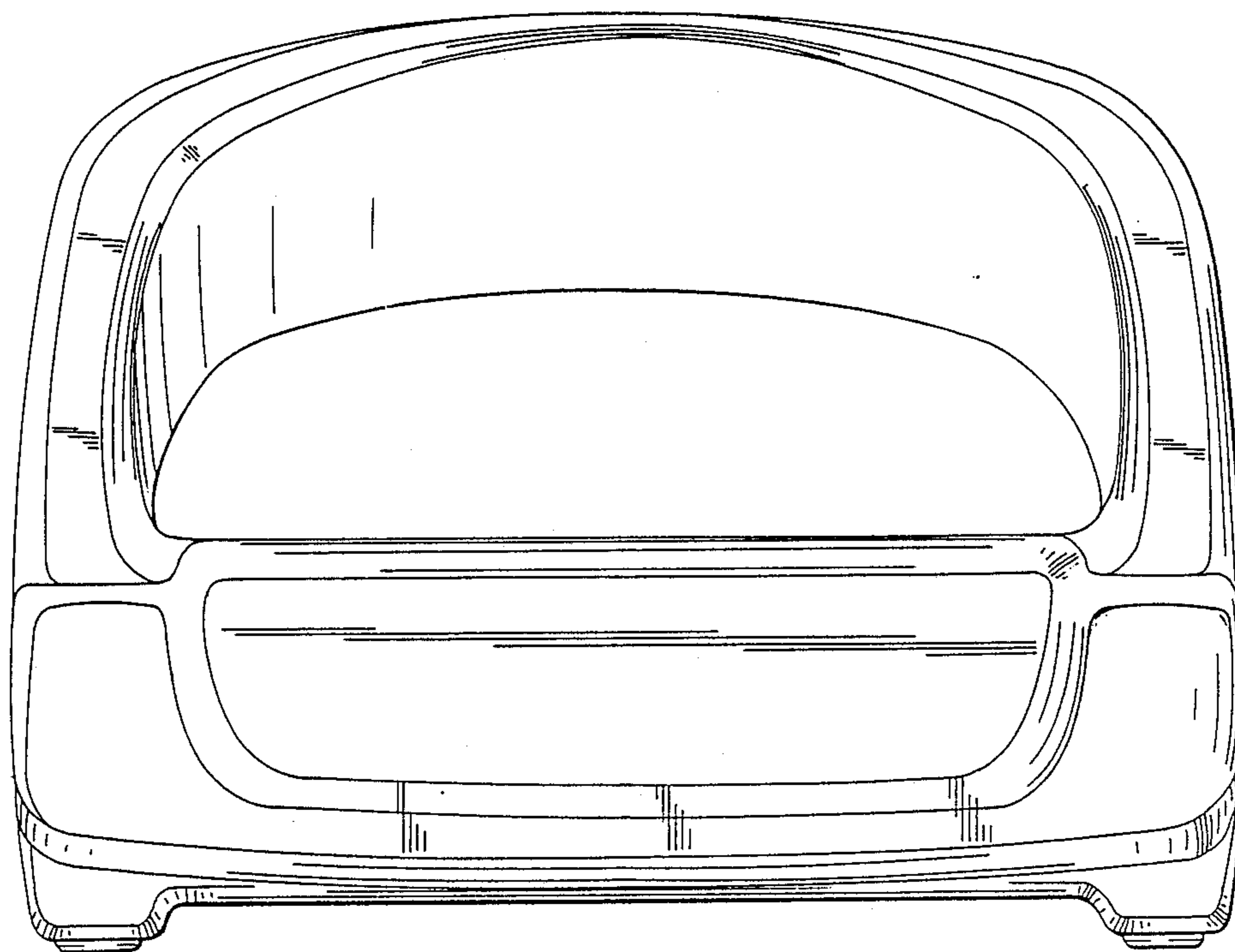


Fig. 3

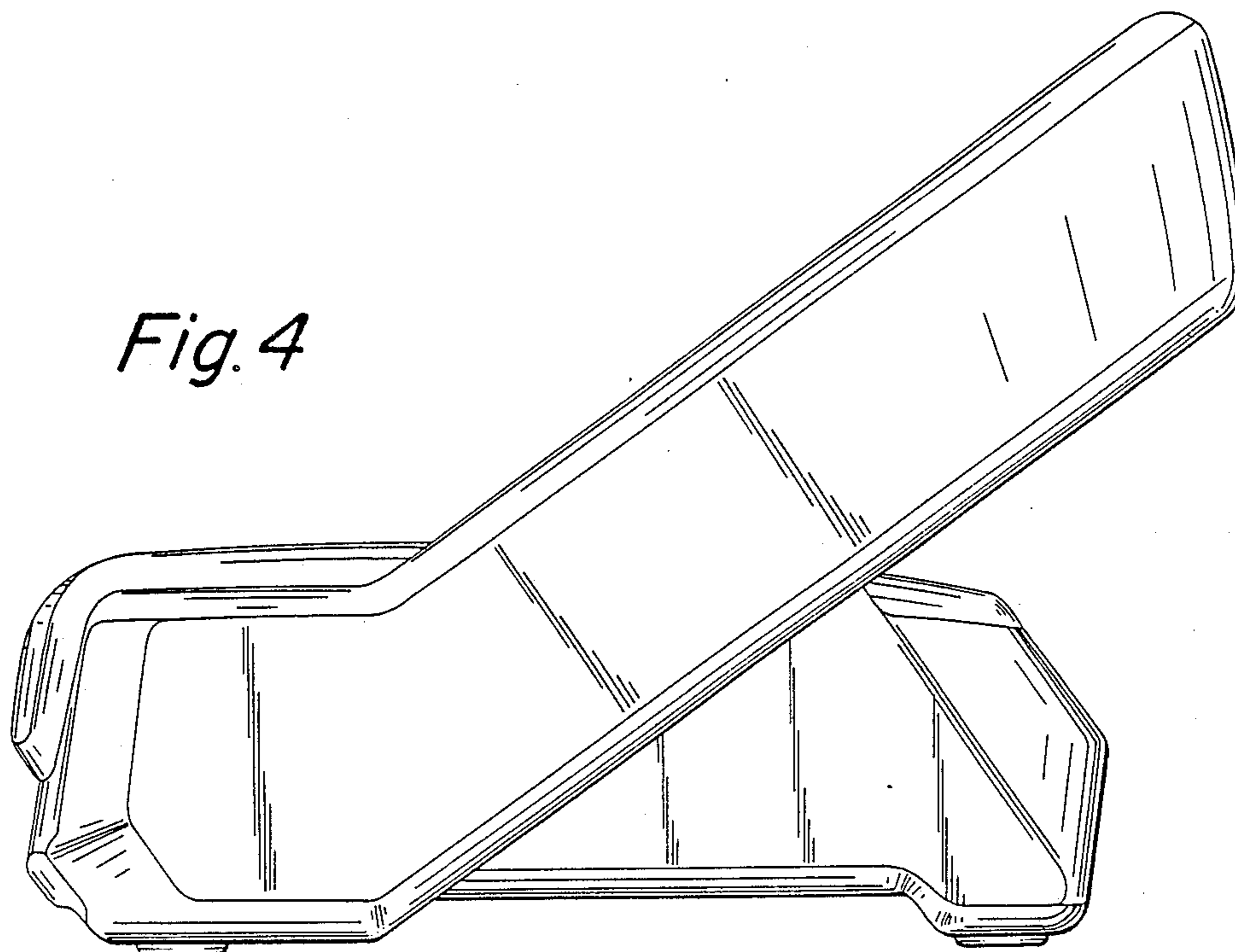


Fig. 4

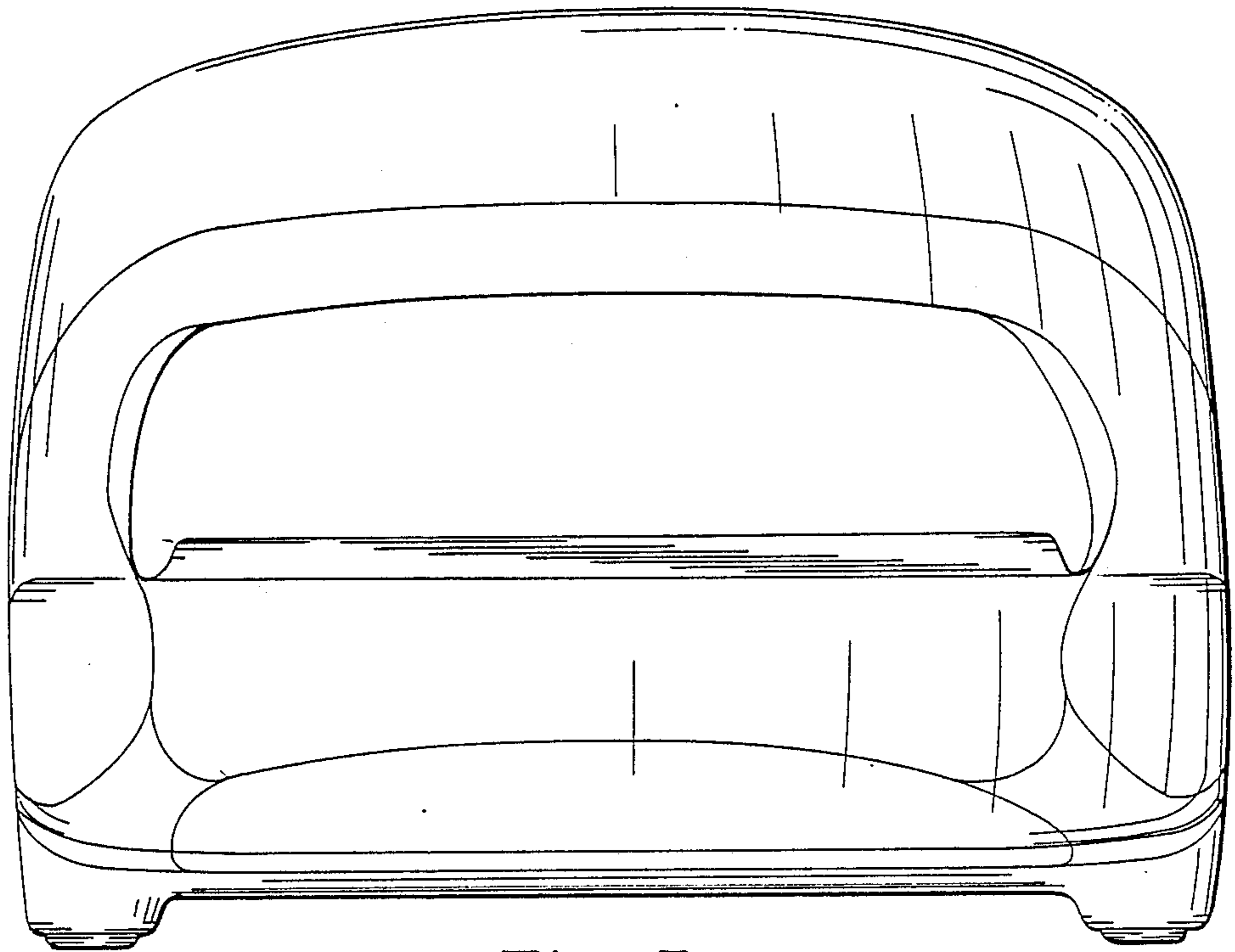


Fig. 5

Fig. 6

