

[54] SPRAY GUN CLEANING DEVICE

[76] Inventor: Leif E. Stern, Fattershus, S-225 90 Lund, Sweden

[*] Notice: The portion of the term of this patent subsequent to Aug. 1, 2006 has been disclaimed.

[**] Term: 14 Years

[21] Appl. No.: 887,433

[22] Filed: Jul. 21, 1986

[30] Foreign Application Priority Data

Jan. 20, 1986 [SE] Sweden 1986-0115
[52] U.S. Cl. D32/1
[58] Field of Search D32/1-2, D32/5, 21, 30; 134/166 R, 166 C, 167 R, 167 C, 168 C, 169 C, 102, 104

[56] References Cited
PUBLICATIONS

Industrial Equipment News, 10/1984, p. 43. "Pressure Washer".
Industrial Equipment News, 10/1984, p. 66 "Spartan Steam Cleaner/Hot Pressure Washer".
Primary Examiner—Bruce W. Dunkins
Assistant Examiner—Ruth Takemoto
Attorney, Agent, or Firm—Bacon & Thomas

[57] CLAIM

The ornamental design for a spray gun cleaning device, as shown and described.

DESCRIPTION

FIG. 1 is a perspective view of a spray gun cleaning device showing my new design;
FIG. 2 is a side elevational view thereof;
FIG. 3 is a side elevational view thereof, of the opposite side of FIG. 2;
FIG. 4 is a top plan view thereof;
FIG. 5 is a bottom plan view thereof;
FIG. 6 is a front elevational view thereof; and
FIG. 7 is a rear elevational view thereof.

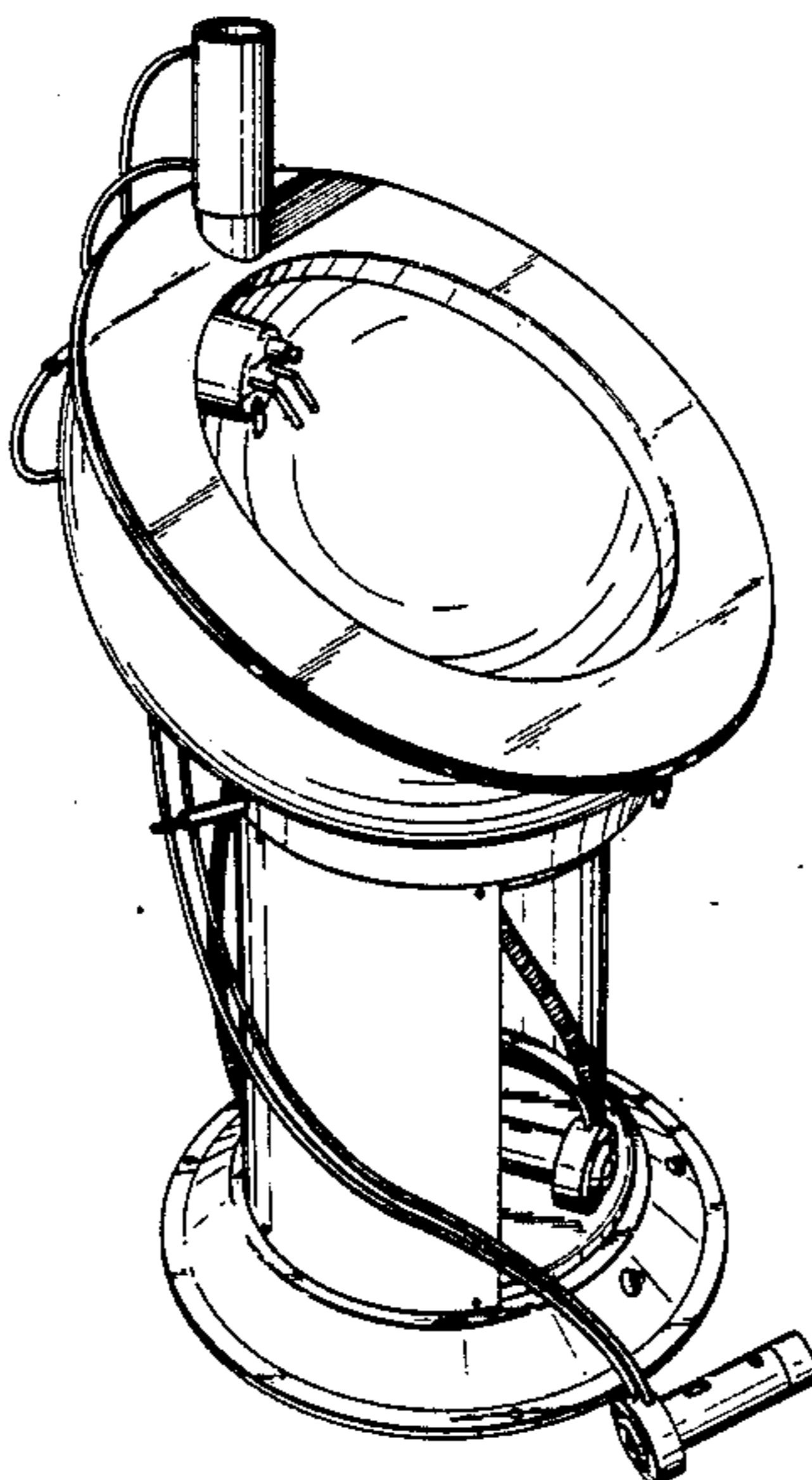


Fig. 1

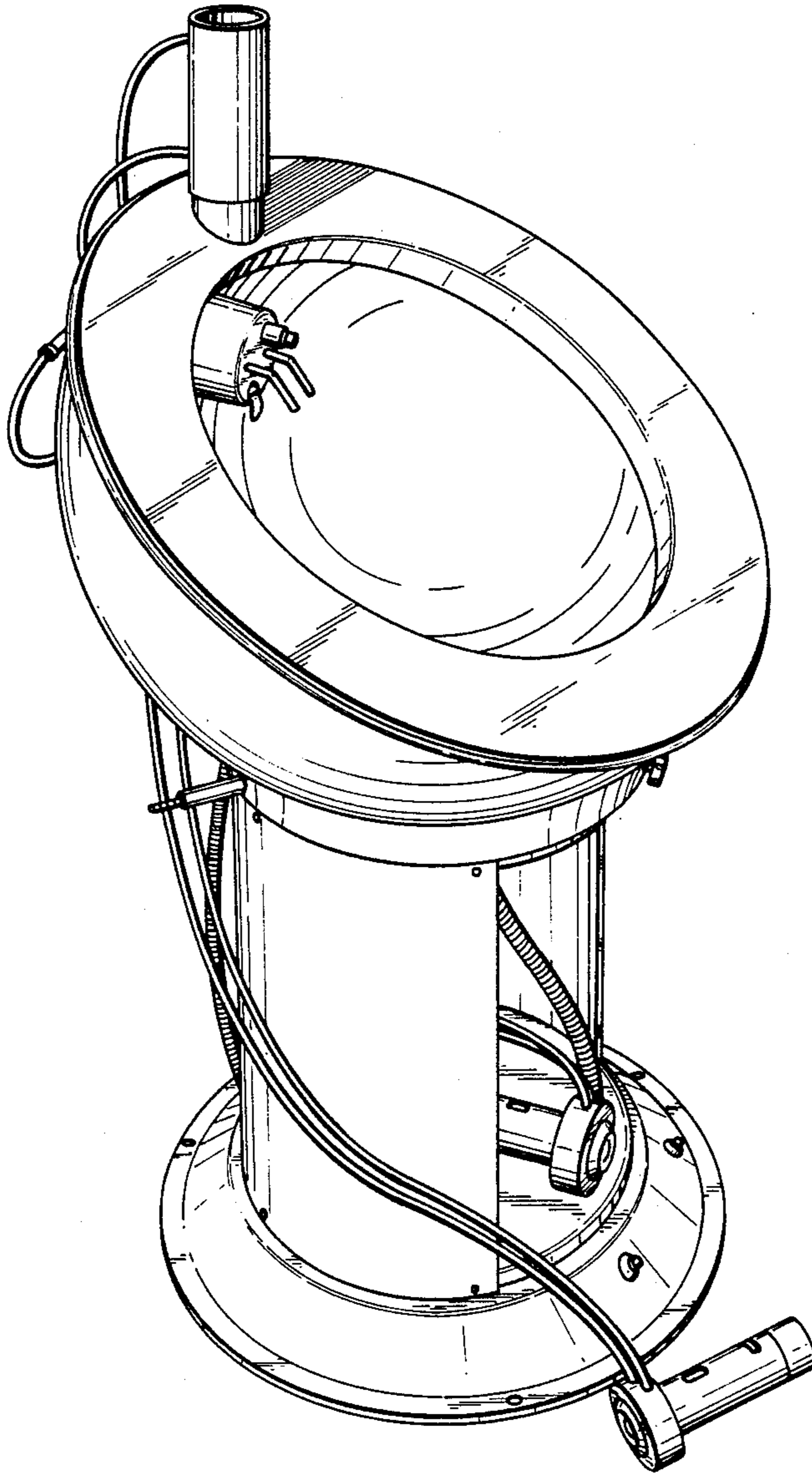


Fig. 2

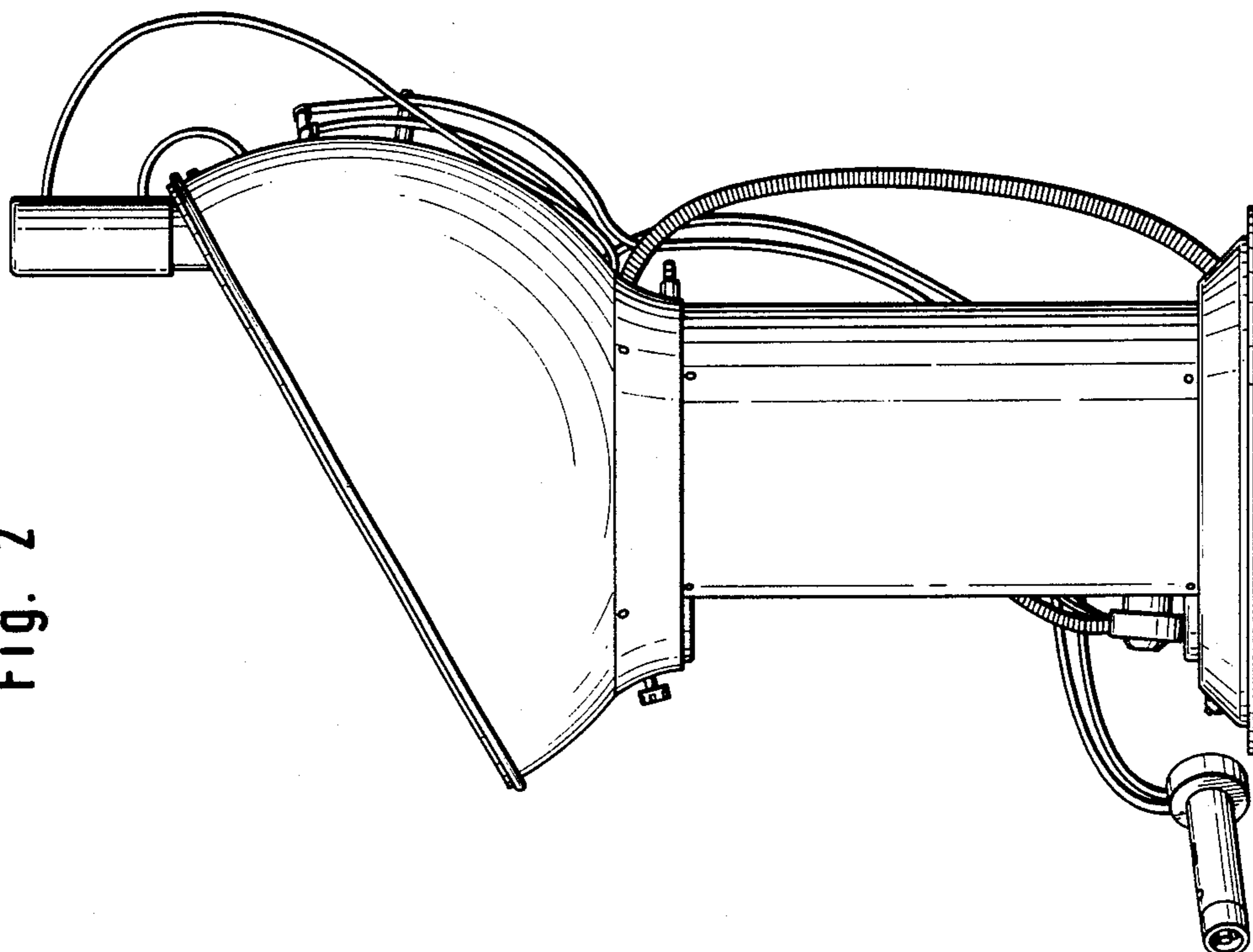


Fig. 6

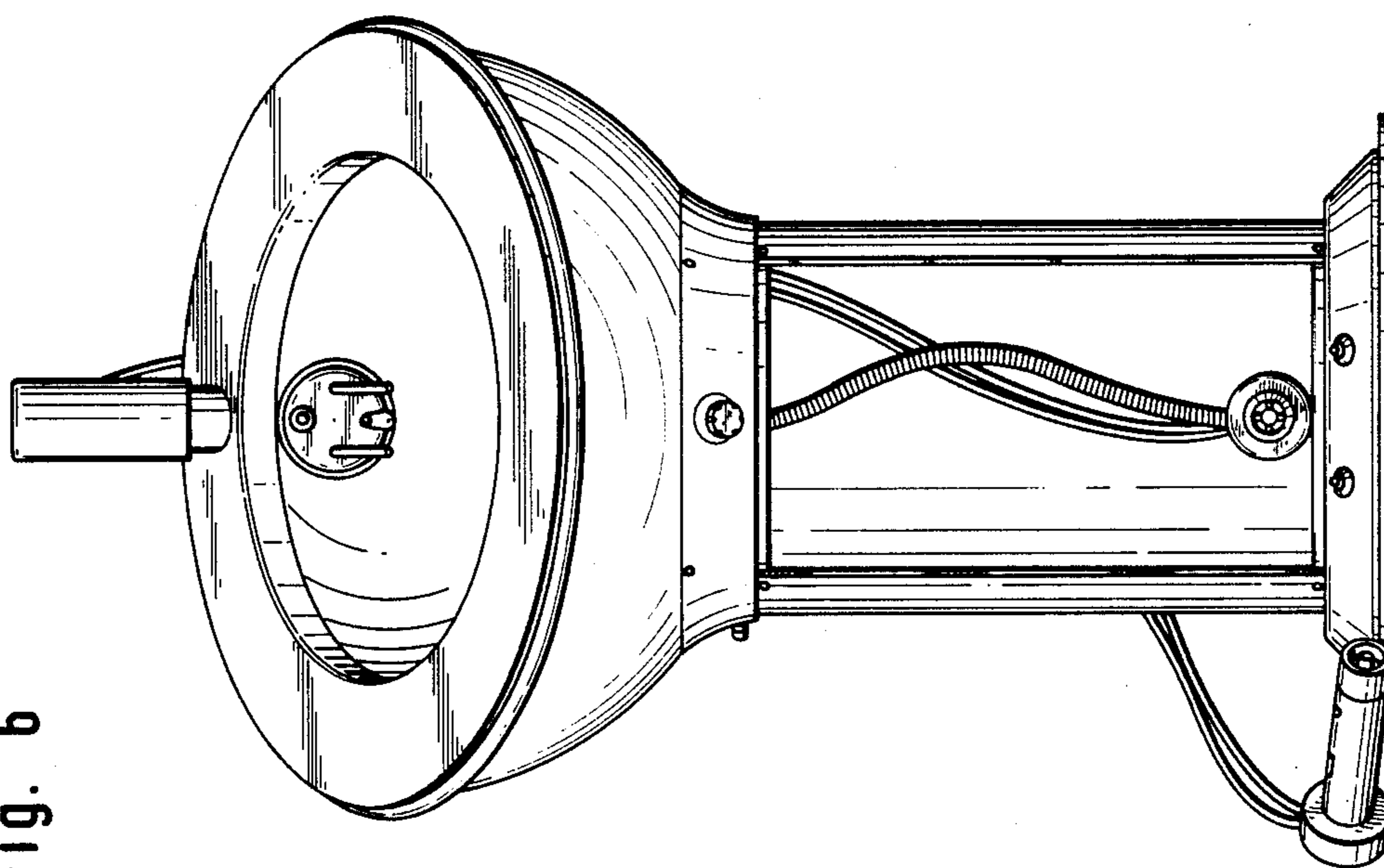


Fig. 3

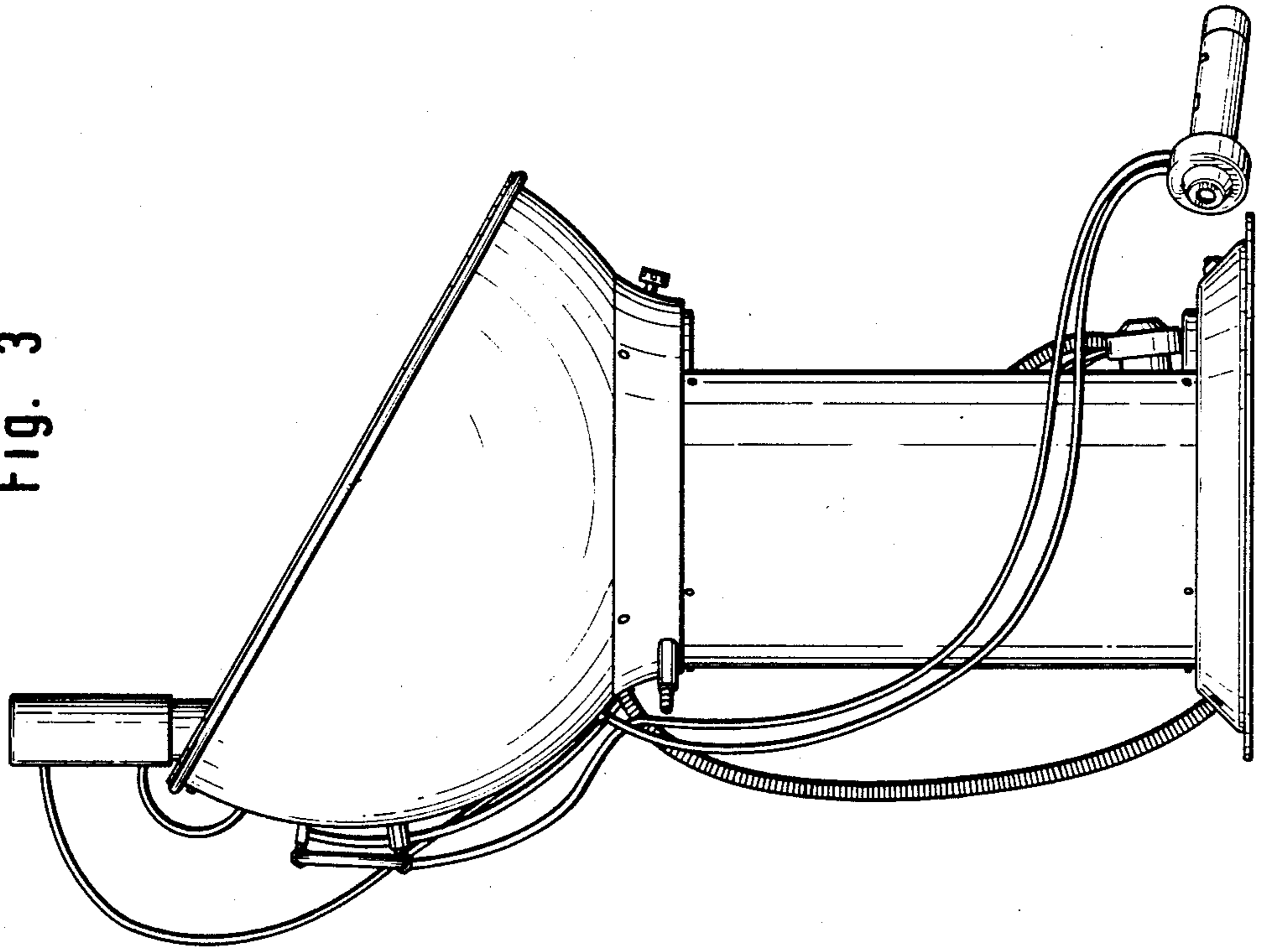


Fig. 7

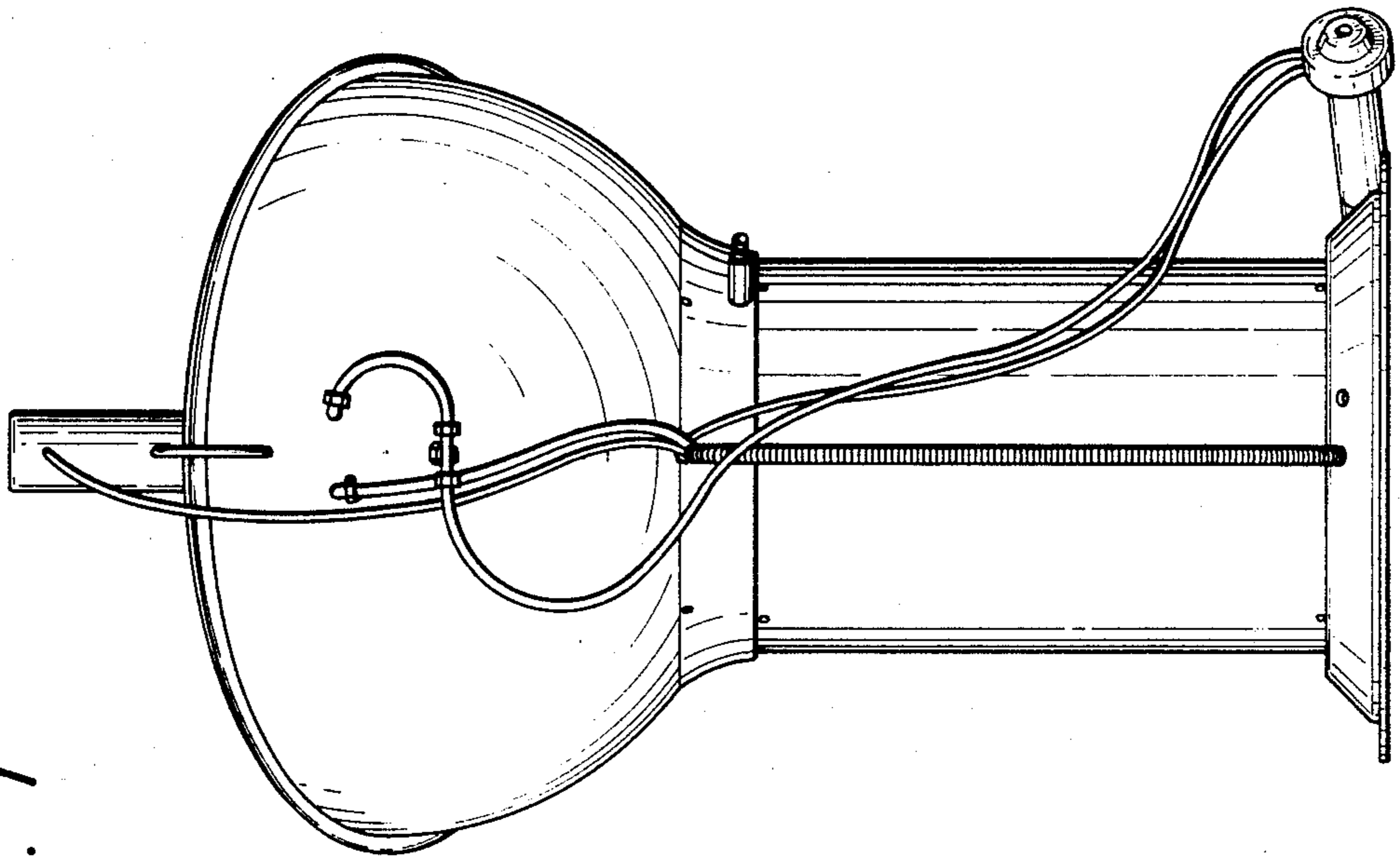


Fig. 4

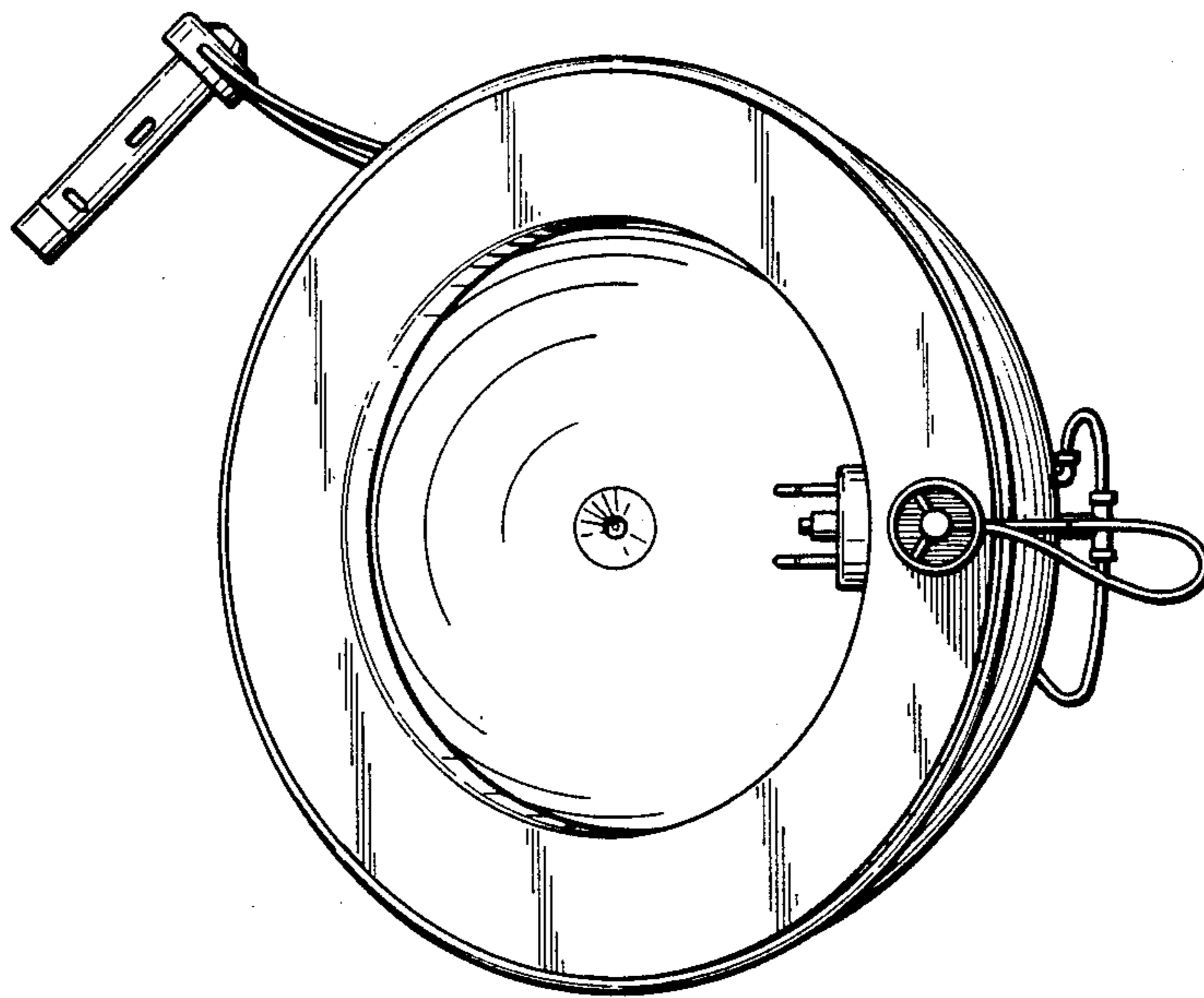


Fig. 5

