

[54] **NAIL STAND**

[76] **Inventor: Terri A. Williams, 580 26th, Upland, Calif. 91786**

[\*\*] **Term: 14 Years**

[21] **Appl. No.: 15,961**

[22] **Filed: Feb. 17, 1987**

[52] **U.S. Cl. .... D28/61**

[58] **Field of Search ..... D28/391, 59, 61, 56**

[56] **References Cited**

**U.S. PATENT DOCUMENTS**

D. 170,669 10/1953 Wagner ..... D28/61  
D. 299,877 2/1989 Riley ..... D28/61

*Primary Examiner*—Bernard Ansher

*Assistant Examiner*—David Jeo

[57] **CLAIM**

The ornamental design for the nail stand, as shown and described.

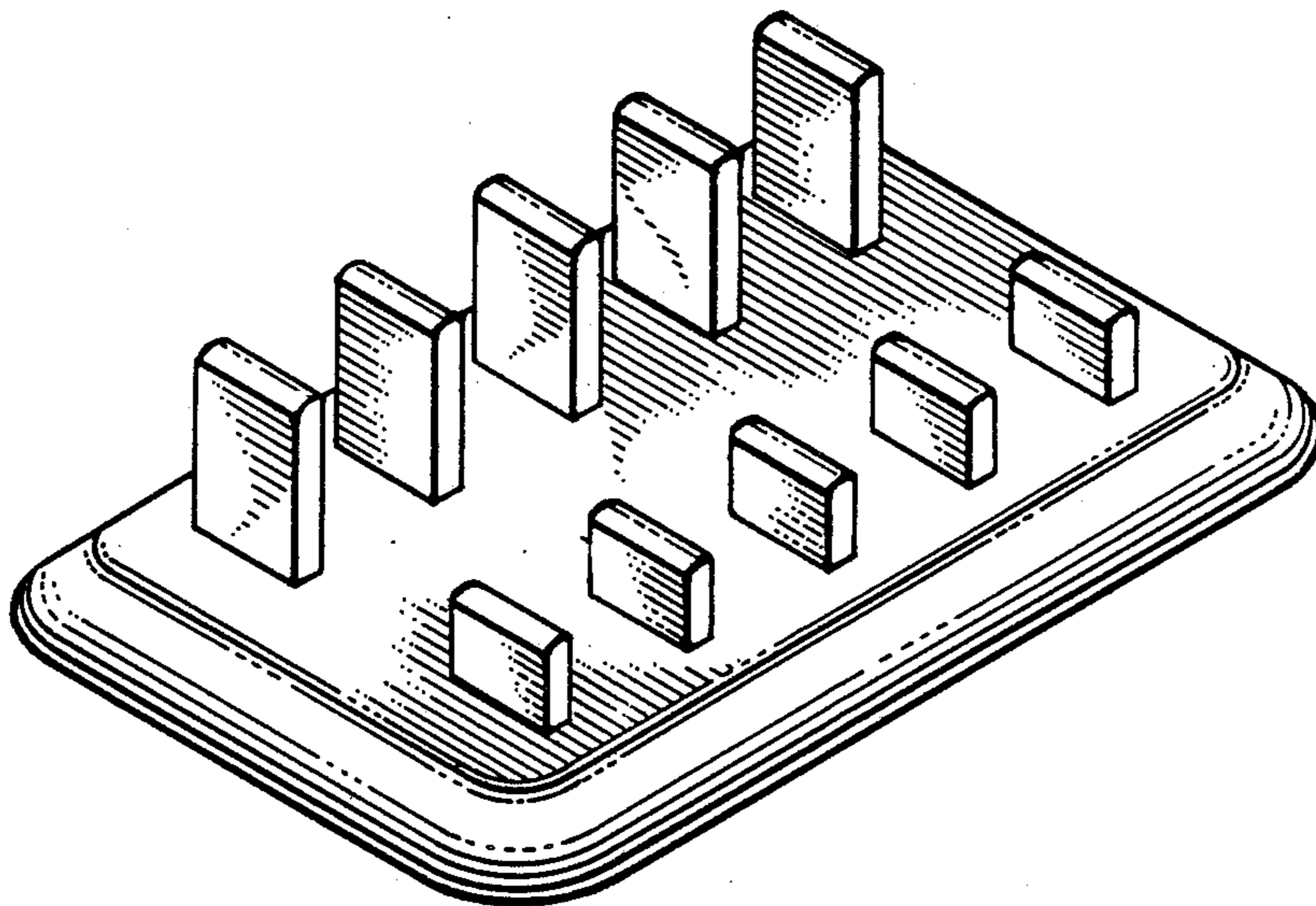
**DESCRIPTION**

FIG. 1 is a front elevational view of a nail stand, showing my new design;

FIG. 2 is a top plan view thereof;

FIG. 3 is a side elevational view thereof; and

FIG. 4 is a perspective view thereof.



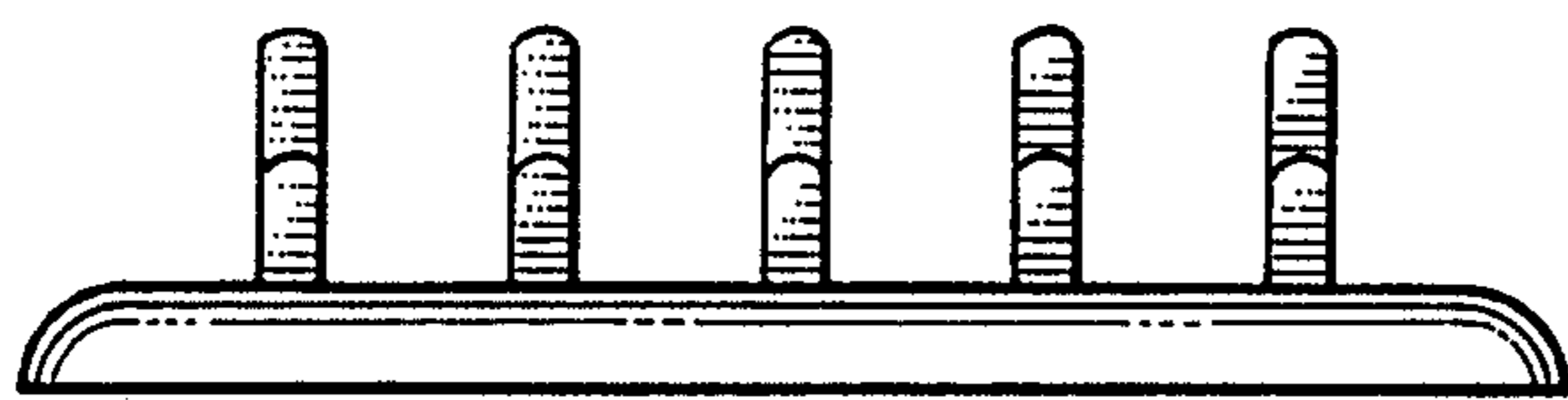


FIG. 1

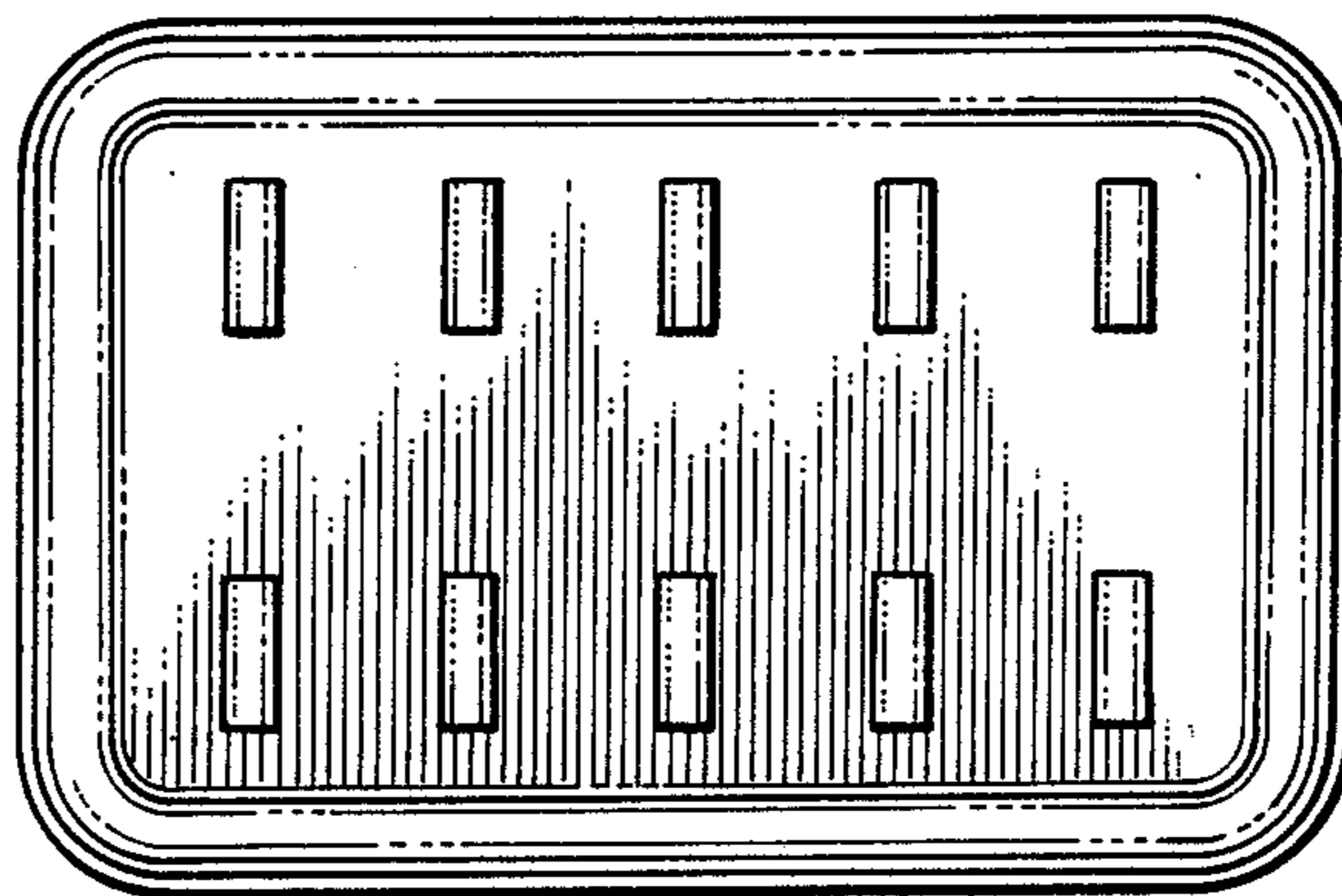


FIG. 2

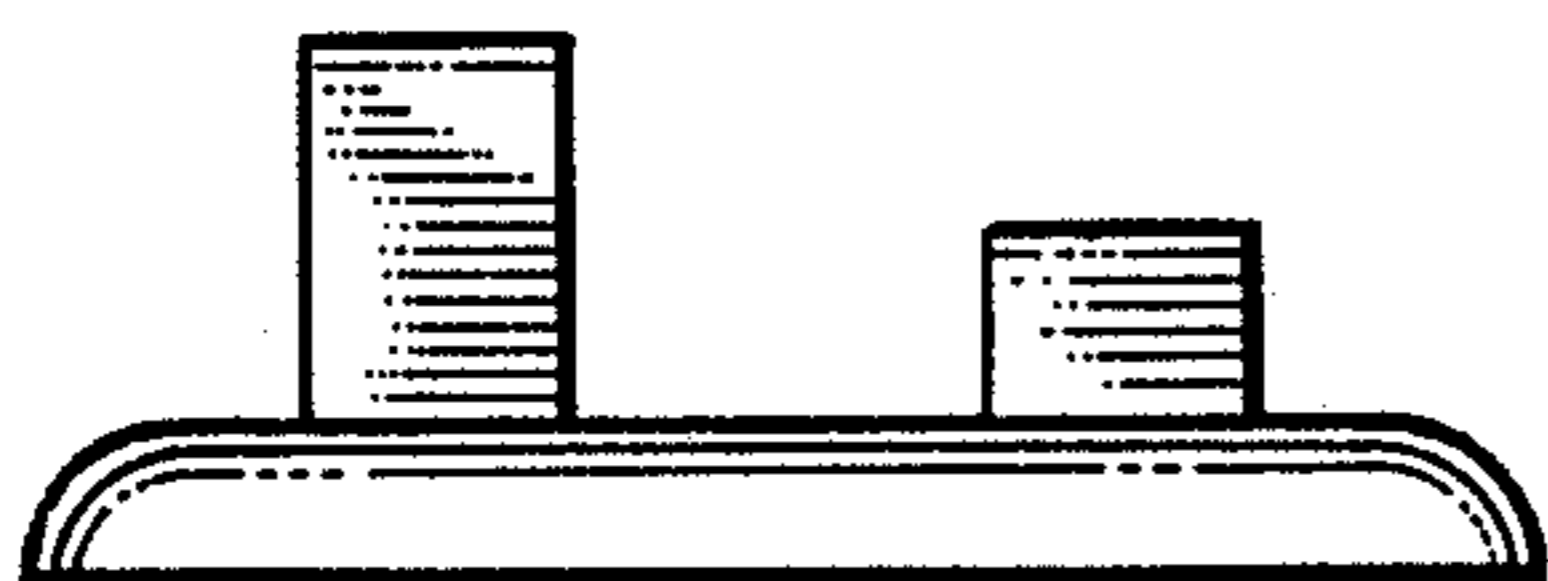


FIG. 3

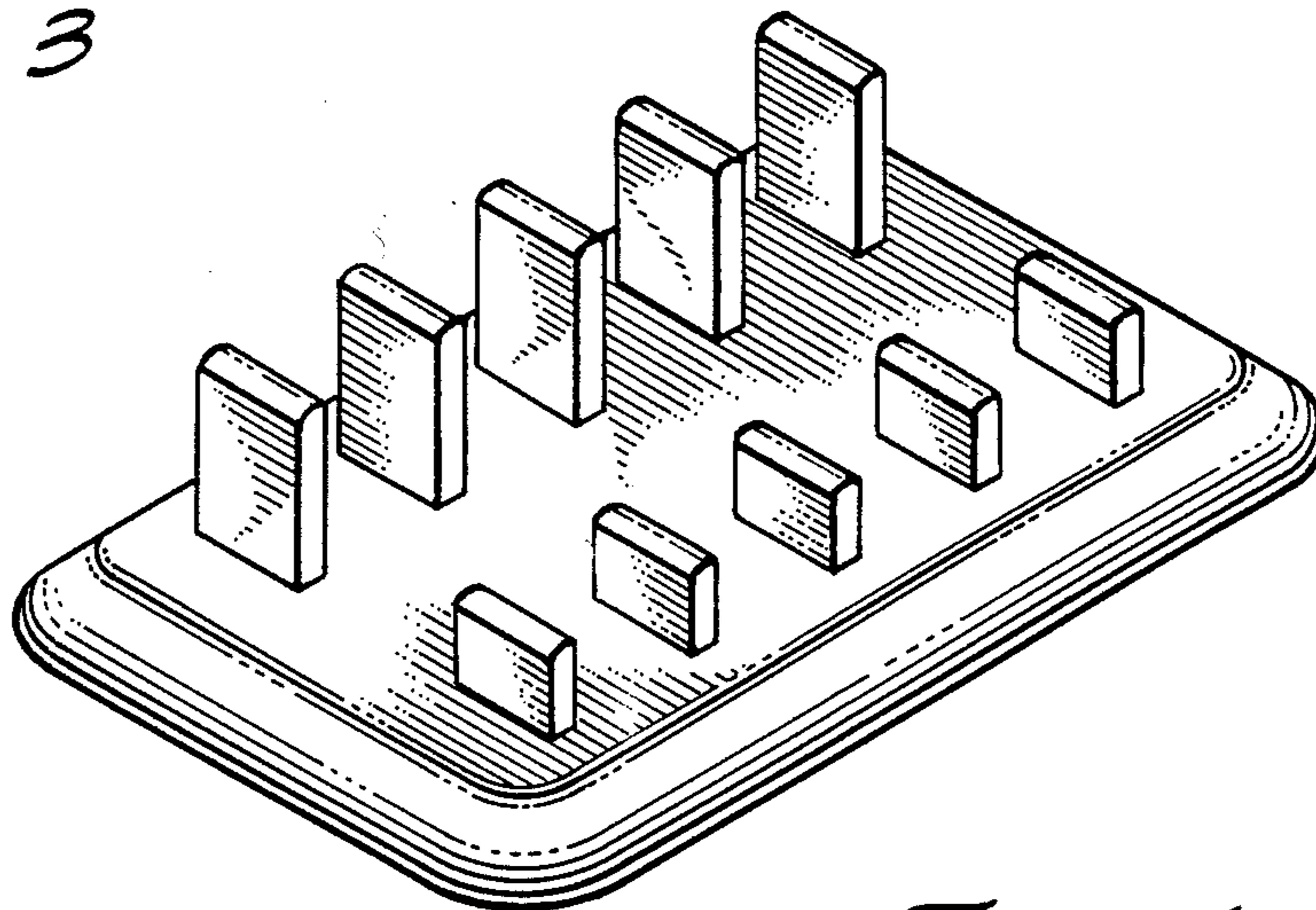


FIG. 4