

[54] **EYE SHADOW APPLICATOR**

[75] **Inventor: Ellen Gavin, Atlantic Highlands, N.J.**  
[73] **Assignee: L'Oreal, S.A., Paris, France**  
[\*\*] **Term: 14 Years**  
[21] **Appl. No.: 33,484**  
[22] **Filed: Apr. 1, 1987**  
[52] **U.S. Cl. .... D28/7**  
[58] **Field of Search ..... D28/7; D4/15; 132/320;  
D24/4, 34, 63**

D. 290,173 6/1987 Taylor et al. .... D28/7

*Primary Examiner*—Bernard Ansher  
*Assistant Examiner*—David Jeo  
*Attorney, Agent, or Firm*—Brumbaugh, Graves,  
Donohue & Raymond

[57] **CLAIM**

The ornamental design for an eye shadow applicator, substantially as shown and described.

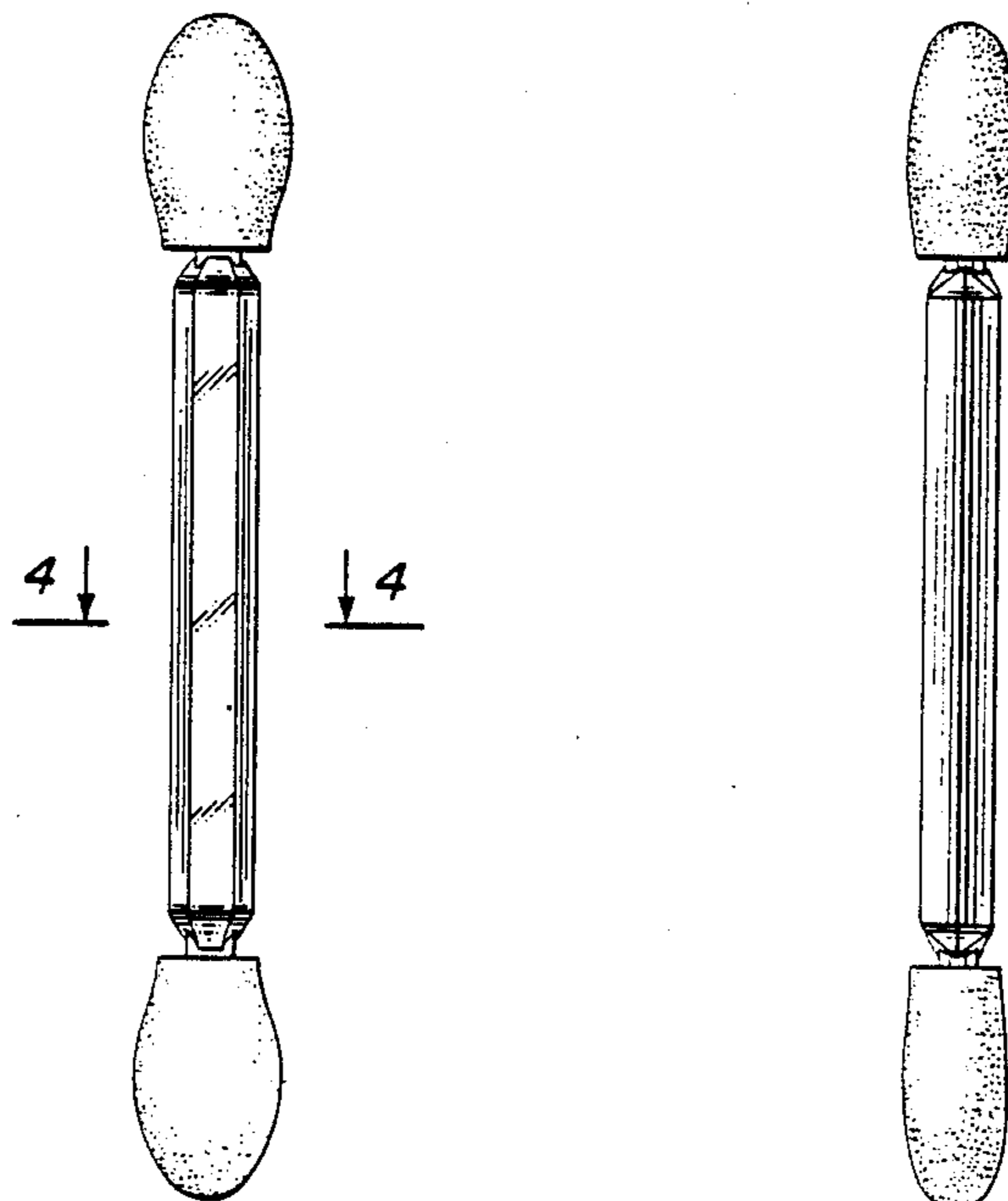
**DESCRIPTION**

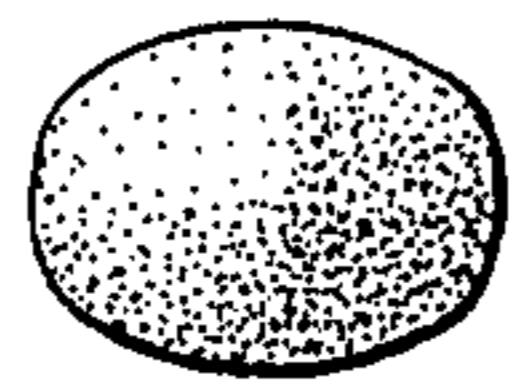
FIG. 1 is a front plan view of an eye shadow applicator, showing my new design;  
FIG. 2 is a side elevational view thereof;  
FIG. 3 is a top plan view thereof; the undisclosed bottom portion is a mirror image of the top shown;  
FIG. 4 is a cross-sectional view of the applicator taken on the line 4—4 of FIG. 1.

[56] **References Cited**

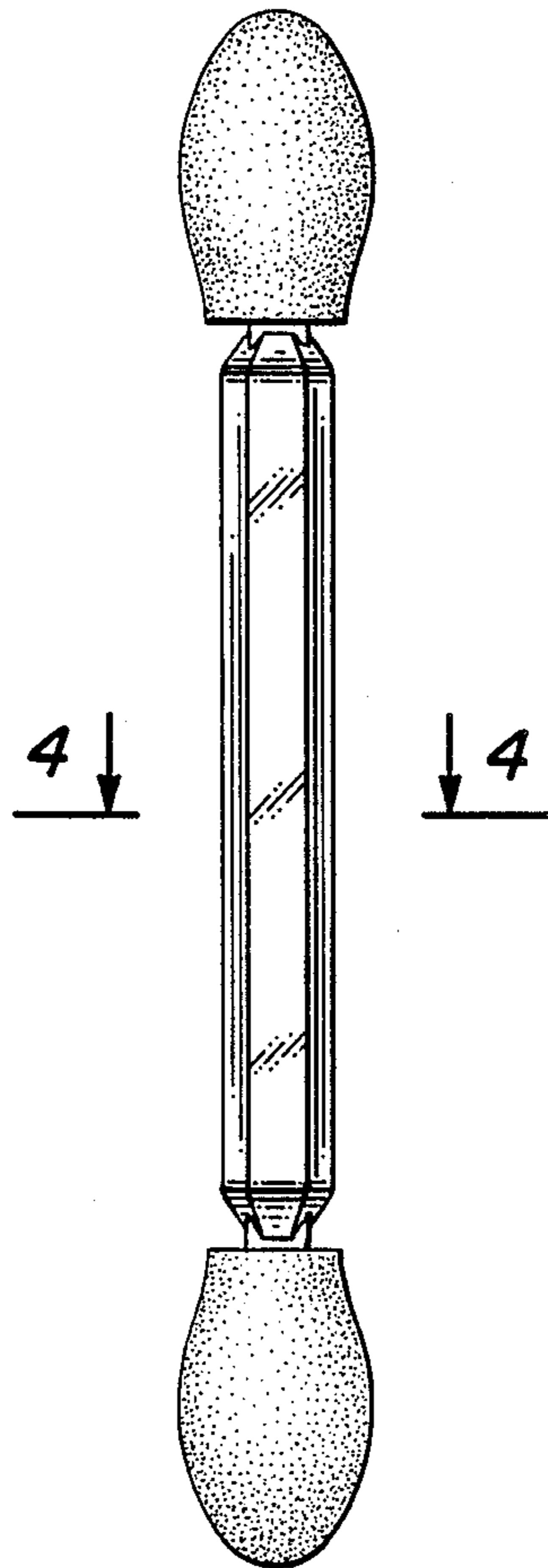
**U.S. PATENT DOCUMENTS**

D. 260,560 9/1981 Flower ..... D28/7  
D. 269,811 7/1983 Kaufman ..... D24/63

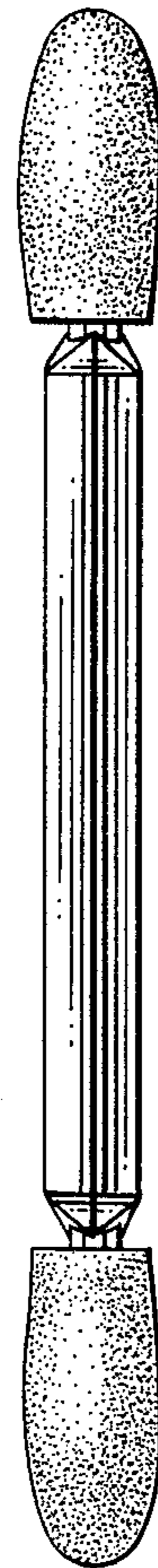




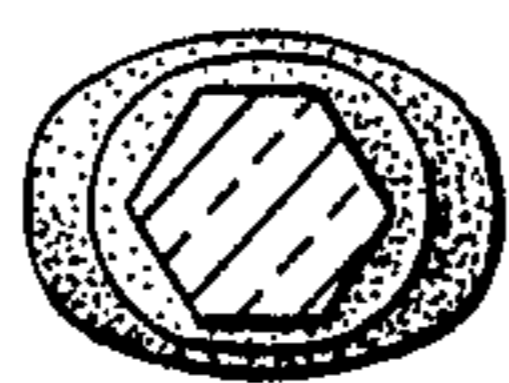
**FIG. 3**



**FIG. 1**



**FIG. 2**



**FIG. 4**