

[54] **DECORATIVE EXTRUSION FOR DISPLAY PANELS OR SIMILAR ARTICLES**

[75] **Inventor: James E. Clark, Newark, N.J.**

[73] **Assignee: Outwater Plastic/Industries, Inc., Wood-Ridge, N.J.**

[\*\*] **Term: 14 Years**

[21] **Appl. No.: 319,641**

[22] **Filed: Mar. 6, 1989**

[52] **U.S. Cl. .... D25/124; D25/125**

[58] **Field of Search .... D25/122, 124, 125, 123, D25/119, 121; D8/403; D6/491, 499**

[56] **References Cited**

**U.S. PATENT DOCUMENTS**

- D. 265,035 6/1982 Fether et al. .... D25/122 X
- D. 269,910 7/1983 Johansson .
- D. 275,324 8/1984 Wahlin .

- 3,096,733 7/1963 Jentzen ..... D25/121 X
- 3,458,052 7/1969 Kann ..... D25/119 X
- 3,820,299 6/1974 Verholt ..... D25/121 X

*Primary Examiner—A. Hugo Word  
Attorney, Agent, or Firm—Weingram & Zall*

[57] **CLAIM**

The ornamental design for decorative extrusion for display panels or similar articles, as shown.

**DESCRIPTION**

FIG. 1 is a perspective view of a decorative extrusion for display panels or similar articles showing my new design;

FIG. 2 is a right end elevational view which is a mirror image of a left end view;

FIG. 3 is a front elevational view thereof;

FIG. 4 is a top plan view thereof;

FIG. 5 is a rear elevational view thereof; and

FIG. 6 is a bottom plan view thereof.

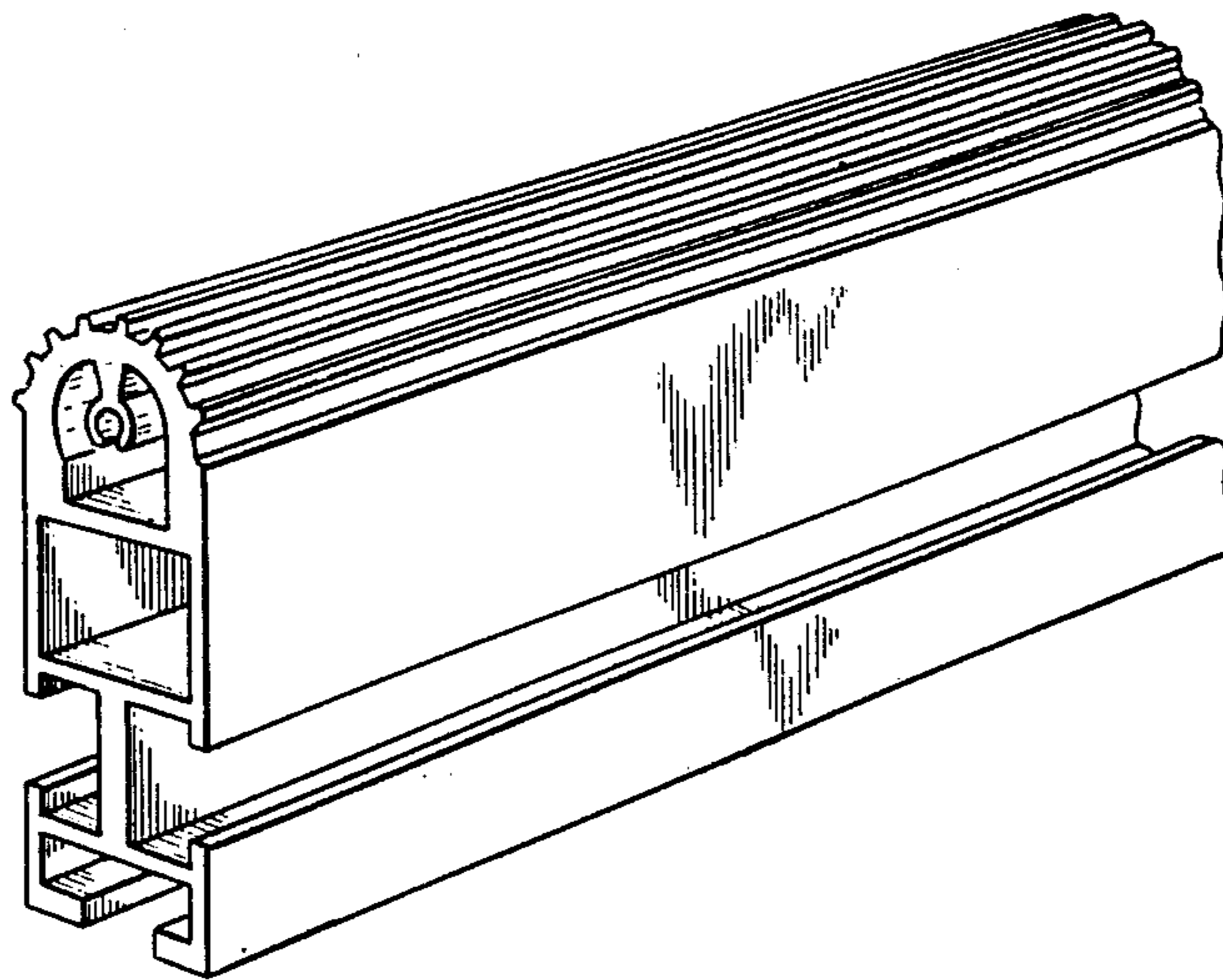


FIG-1

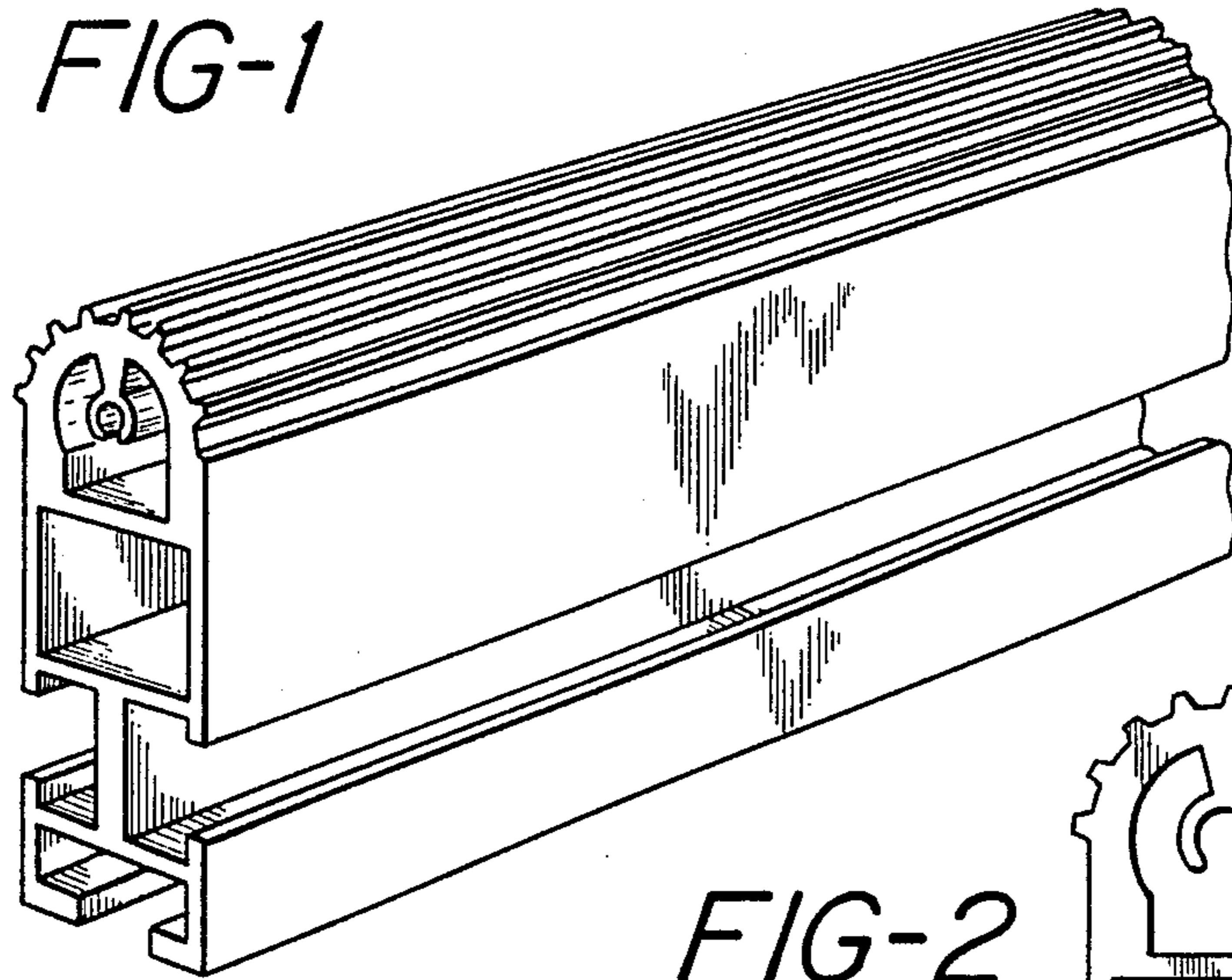


FIG-2

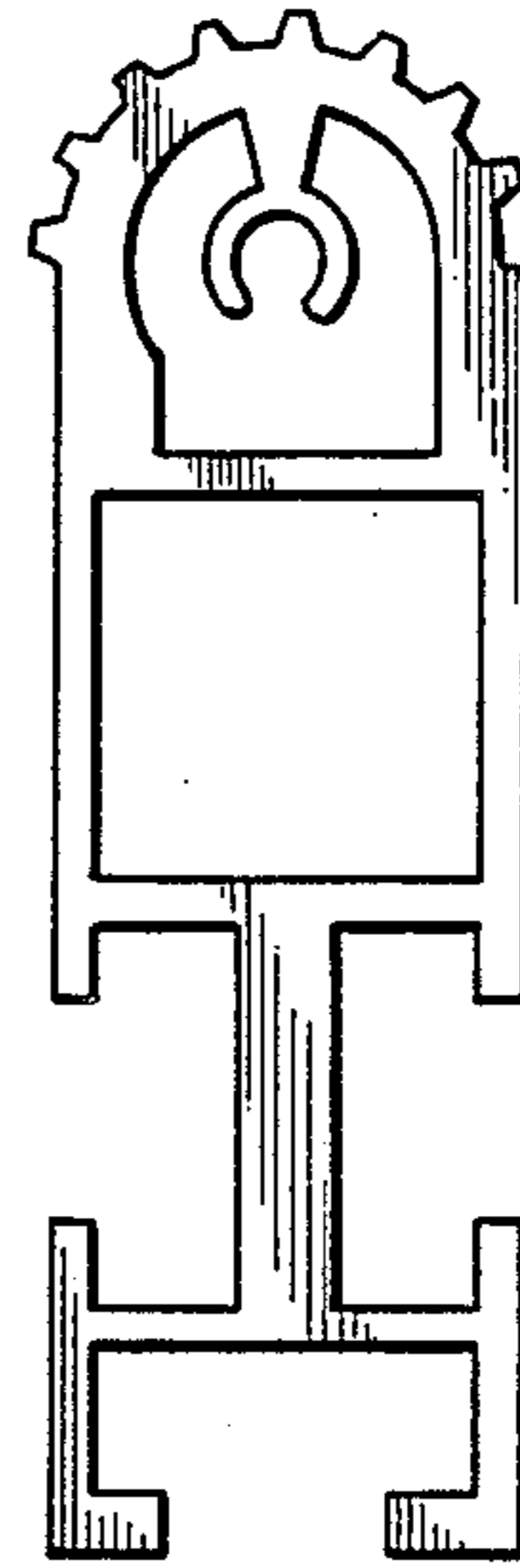
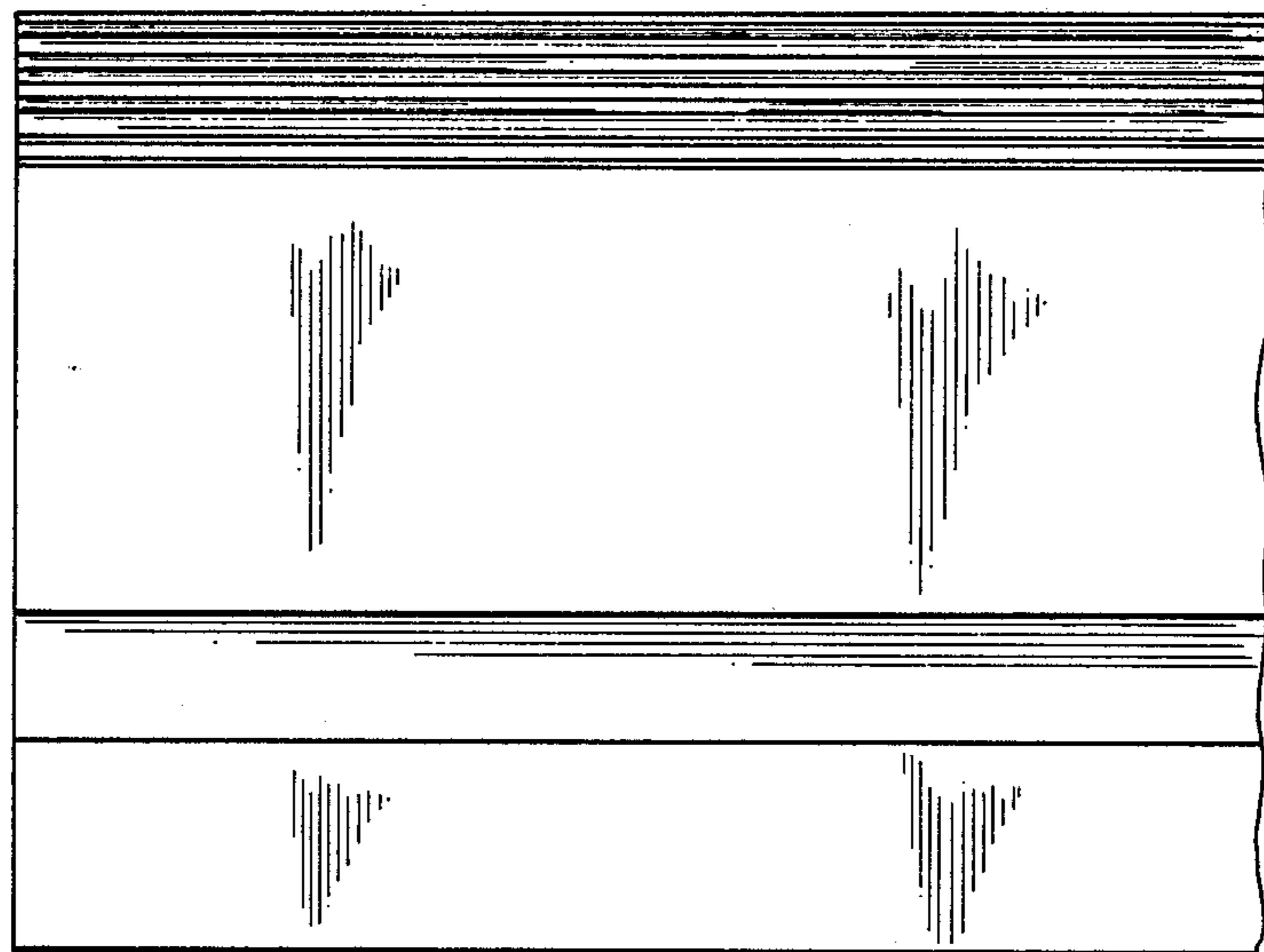


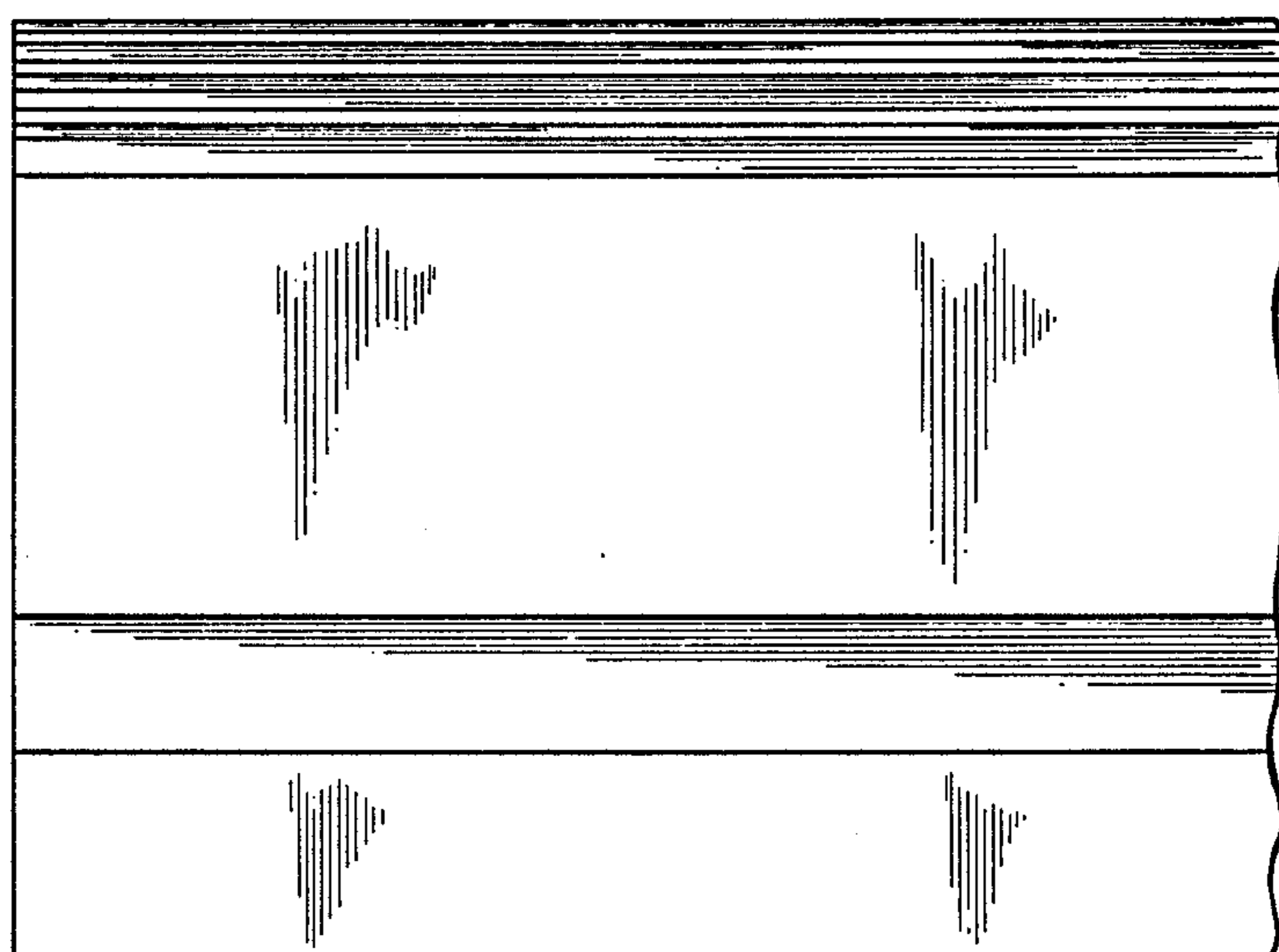
FIG-3



*FIG-4*



*FIG-5*



*FIG-6*

