

United States Patent [19]

Ripley

[11] Patent Number: **Des. 305,367**

[45] Date of Patent: **** Jan. 2, 1990**

[54] **DOOR FRAME**

[75] Inventor: **Pat L. Ripley, Cedar Hill, Tex.**

[73] Assignee: **Passport Technologies, Inc., Prosper, Tex.**

[**] Term: **14 Years**

[21] Appl. No.: **115,096**

[22] Filed: **Nov. 2, 1987**

[52] U.S. Cl. **D25/119**

[58] Field of Search **D25/47, 60, 119, 53, D25/48; 49/501, 504, DIG. 1, DIG. 2; 52/204, 730, 732, 738**

[56] **References Cited**

U.S. PATENT DOCUMENTS

3,774,345 11/1973 Cole et al. 49/504
4,281,481 8/1981 Wendt 49/504

4,376,354 3/1983 Passovoy 49/504
4,614,068 9/1986 Bergthold 52/730

Primary Examiner—A. Hugo Word

Assistant Examiner—Doris Clark

Attorney, Agent, or Firm—Dennis T. Griggs

[57] **CLAIM**

The ornamental design for a door frame, as shown and described.

DESCRIPTION

FIG. 1 is a perspective view of a door frame showing my new design;

FIG. 2 is a right side elevational view thereof;

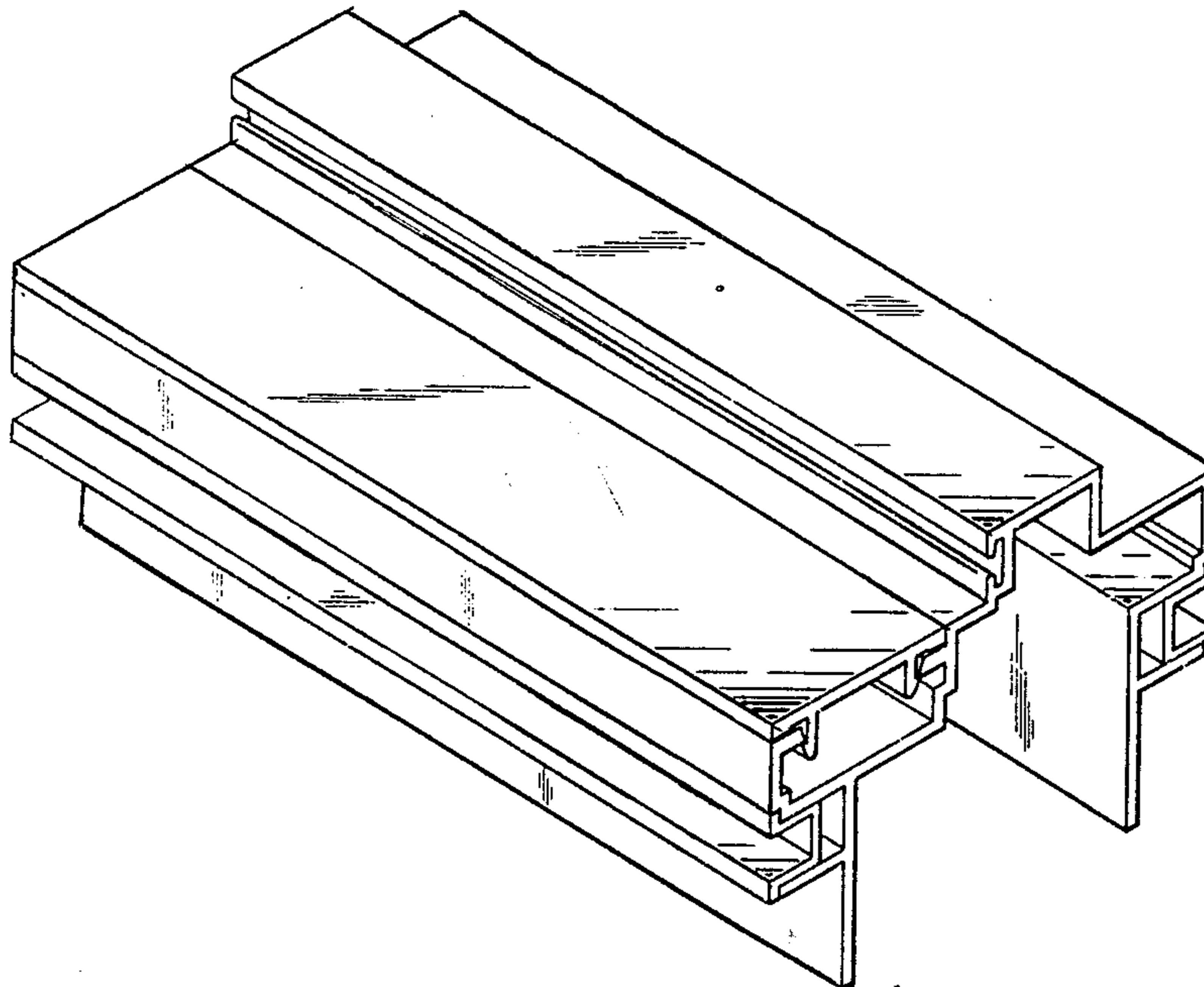
FIG. 3 is a left side elevational view thereof;

FIG. 4 is a top plan view thereof;

FIG. 5 is a bottom plan view thereof;

FIG. 6 is a front elevational view thereof; and

FIG. 7 is a rear elevational view thereof.



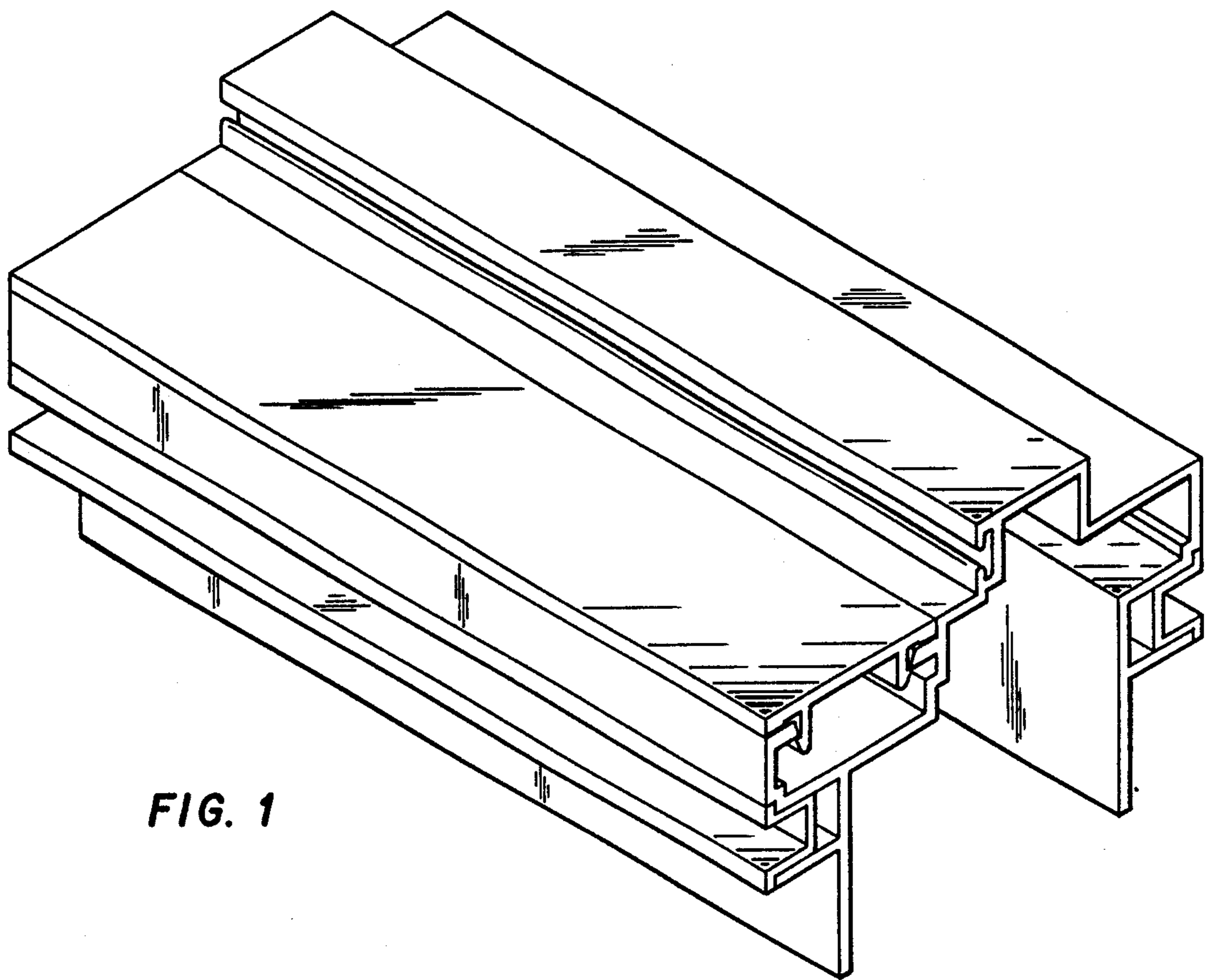


FIG. 1

FIG. 2

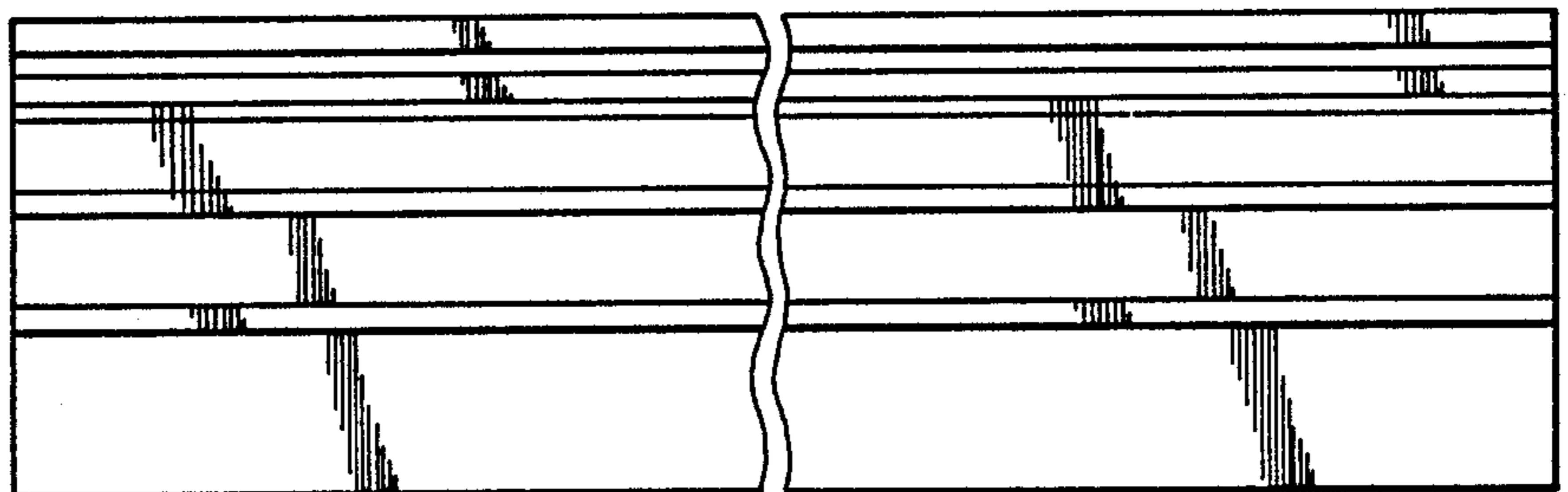
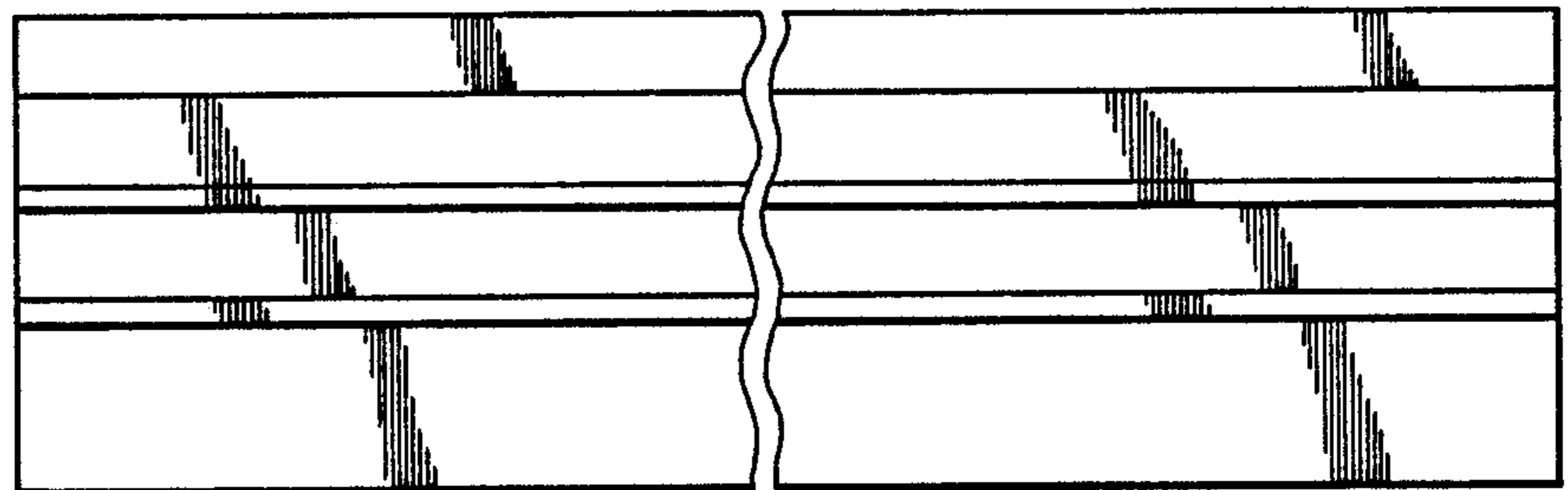


FIG. 3



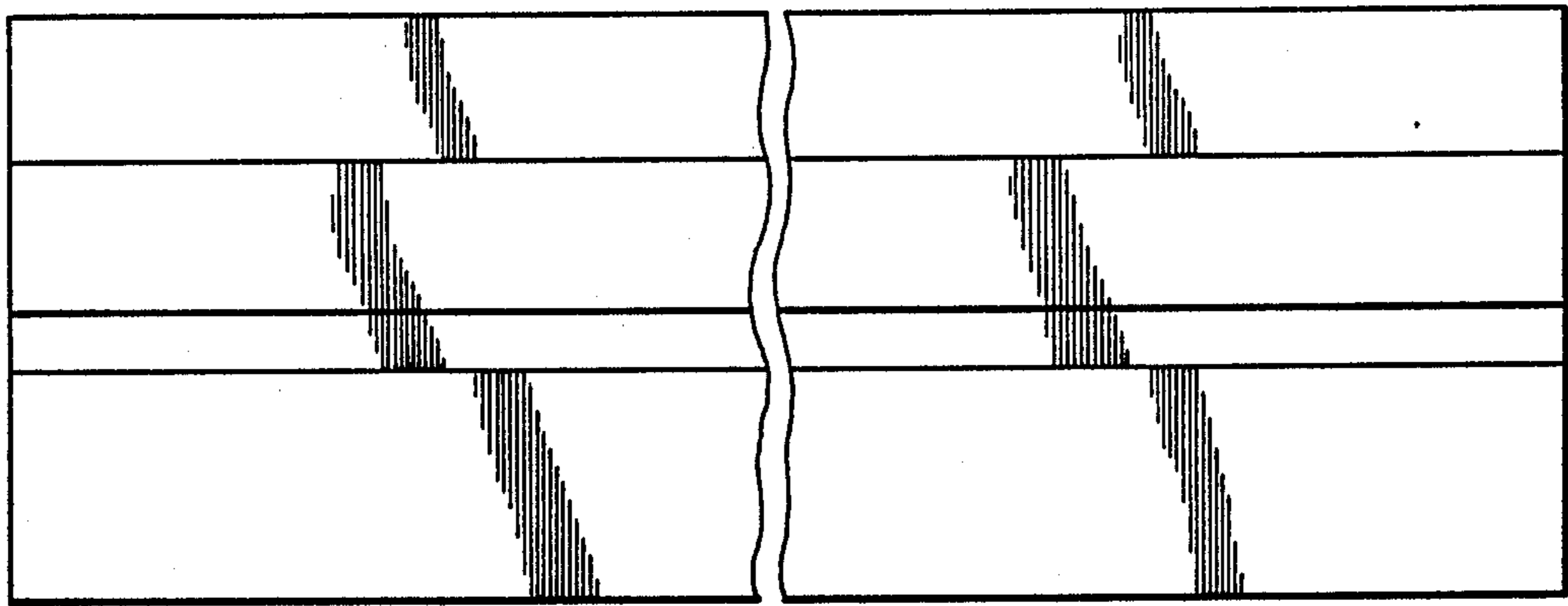


FIG. 4

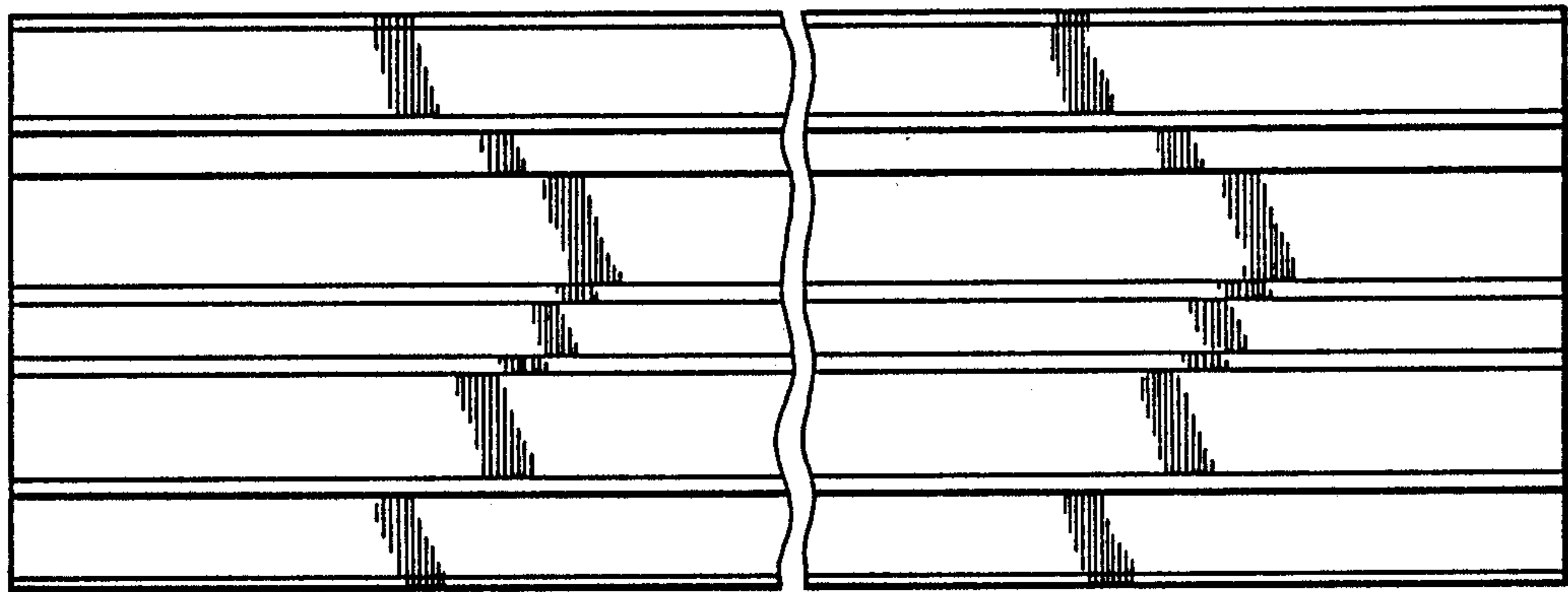


FIG. 5

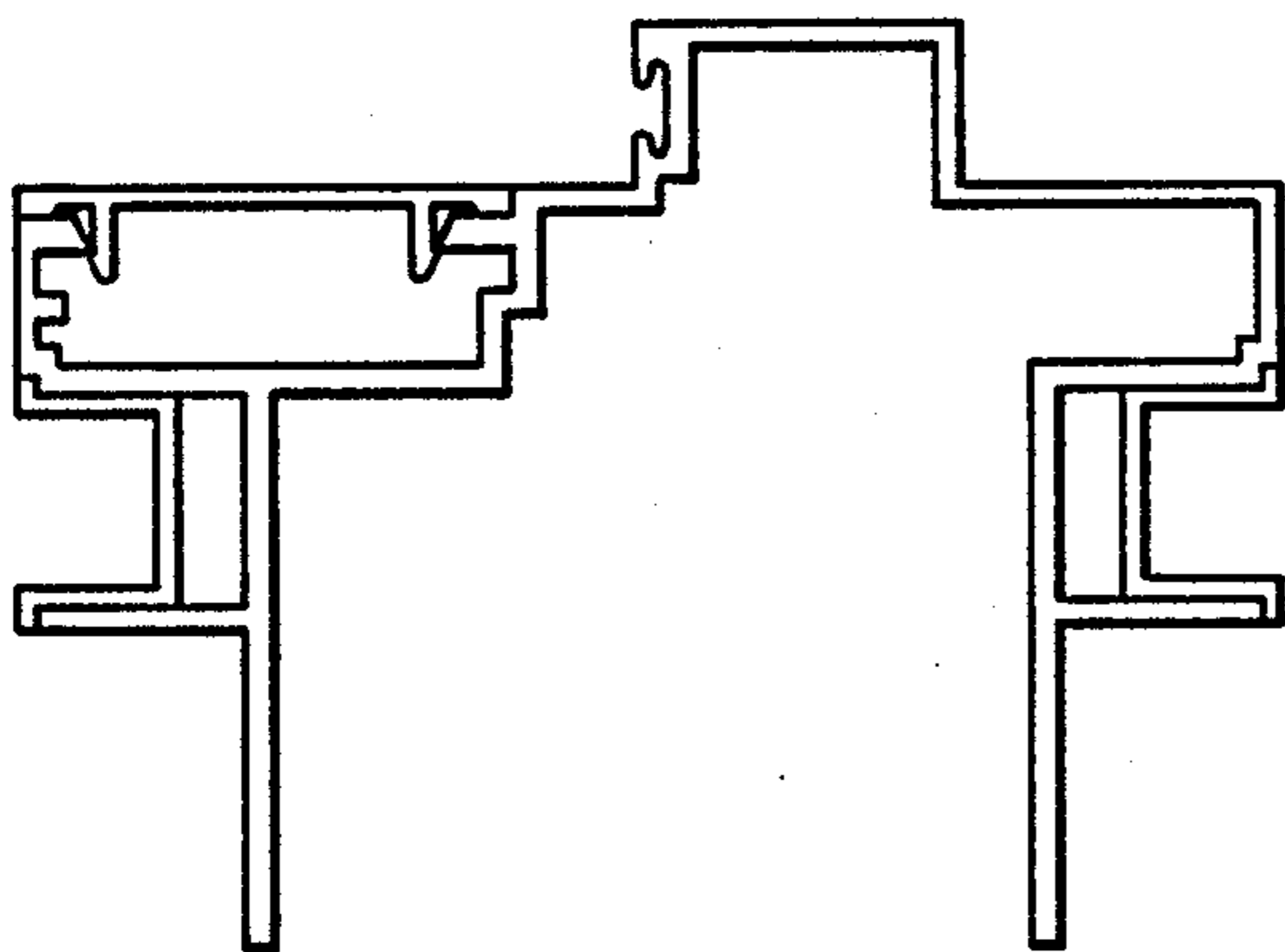


FIG. 6

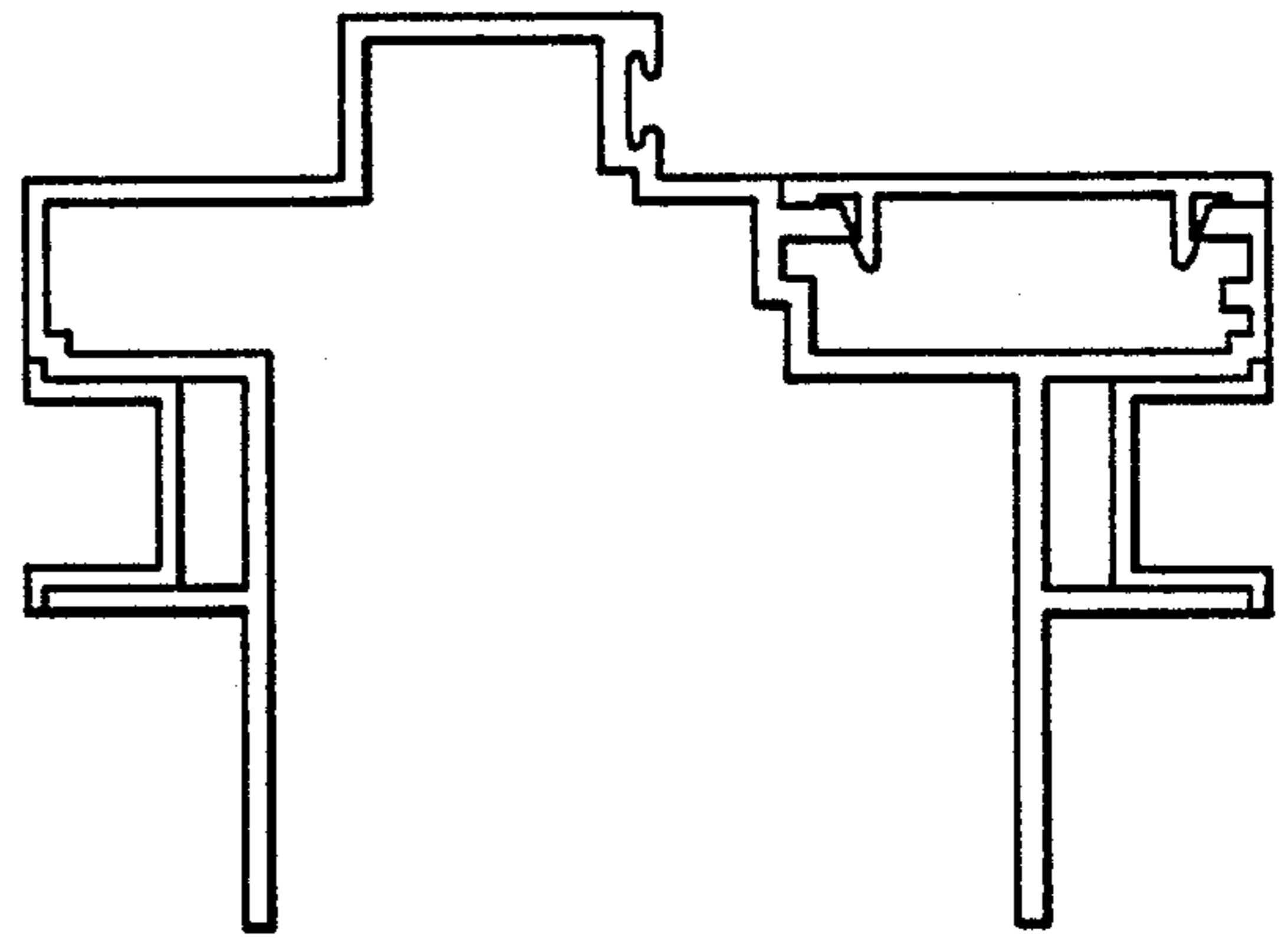


FIG. 7