

[54] **DOOR FRAME**  
[75] **Inventor: Pat L. Ripley, Cedar Hill, Tex.**  
[73] **Assignee: Passport Technologies, Inc., Prosper, Tex.**  
[\*\*] **Term: 14 Years**  
[21] **Appl. No.: 42,939**  
[22] **Filed: Apr. 27, 1987**  
[52] **U.S. Cl. .... D25/119**  
[58] **Field of Search ..... D25/47, 60, 119, 53, D25/48; 49/501, 504, DIG. 1, DIG. 2; 52/204, 730, 732, 738**

4,238,909 12/1980 Mutton ..... 49/504  
4,251,962 2/1981 Langenhorst ..... 49/504

*Primary Examiner*—A. Hugo Word  
*Assistant Examiner*—Doris Clark  
*Attorney, Agent, or Firm*—Dennis T. Griggs

[57] **CLAIM**

The ornamental design for a door frame, as shown and described.

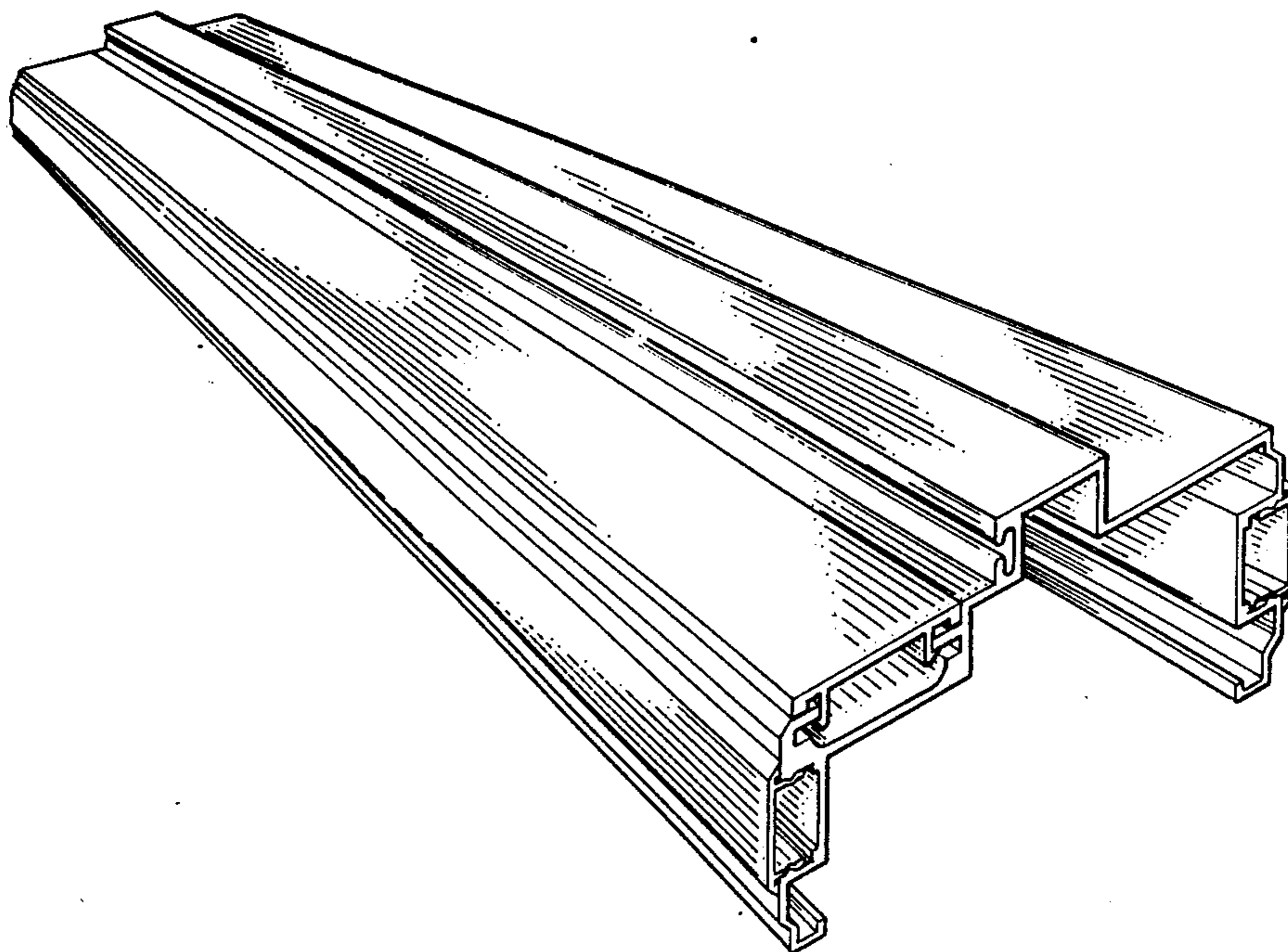
**DESCRIPTION**

FIG. 1 is a perspective view of a door frame showing my new design;  
FIG. 2 is a right side elevational view thereof;  
FIG. 3 is a left side elevational view thereof;  
FIG. 4 is a top plan view thereof;  
FIG. 5 is a bottom plan view thereof;  
FIG. 6 is a front elevational view thereof; and,  
FIG. 7 is a rear elevational view thereof.  
The door frame in FIGS. 2 through 5 is broken away for convenience of illustration.

[56] **References Cited**

**U.S. PATENT DOCUMENTS**

3,783,559 1/1974 Yocum et al. .... 49/504  
3,889,423 6/1975 Begin ..... 49/504  
4,005,558 2/1977 Barrison ..... D25/60  
4,067,157 1/1978 Robinson ..... 49/504



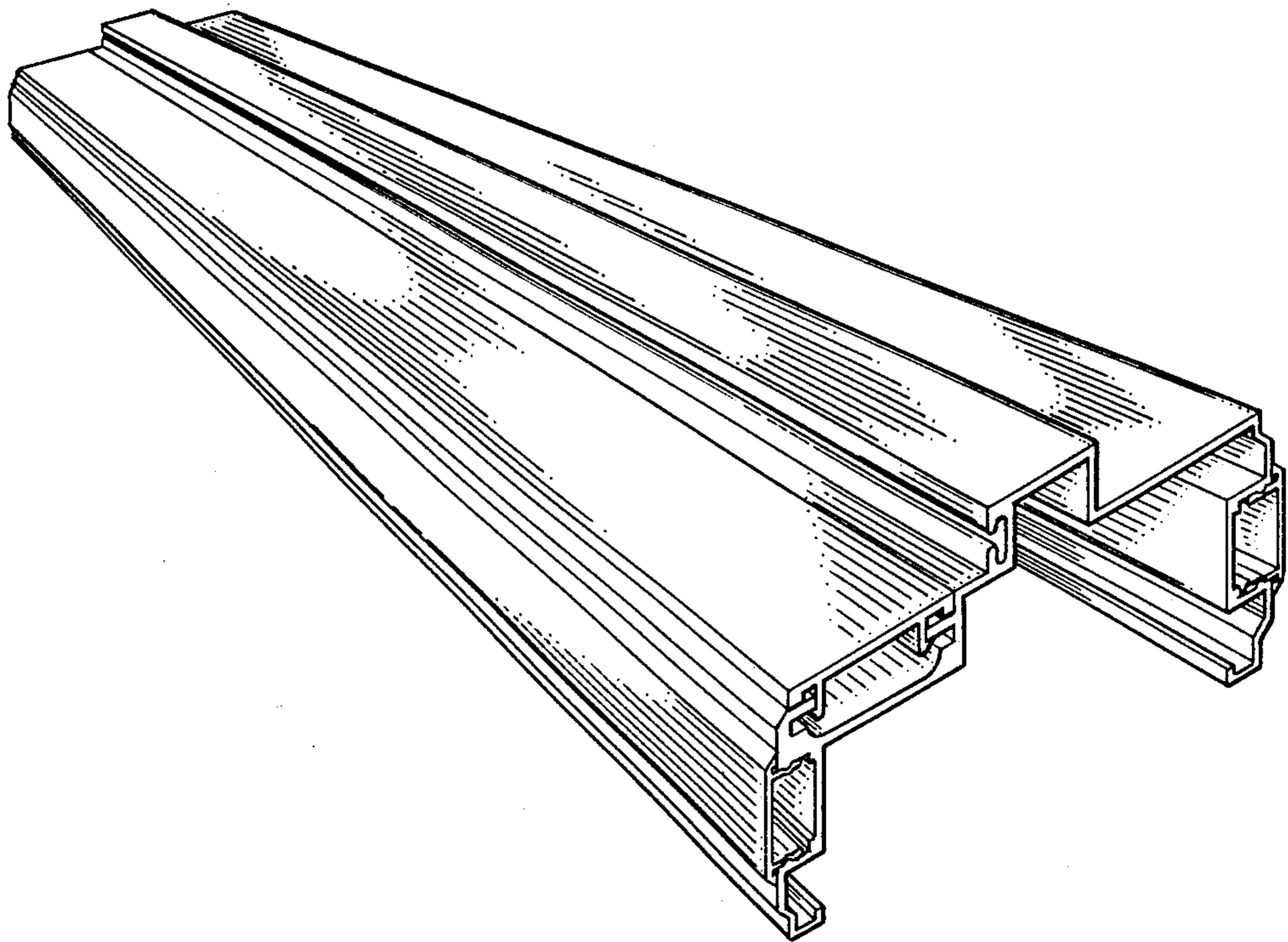


FIG. 1

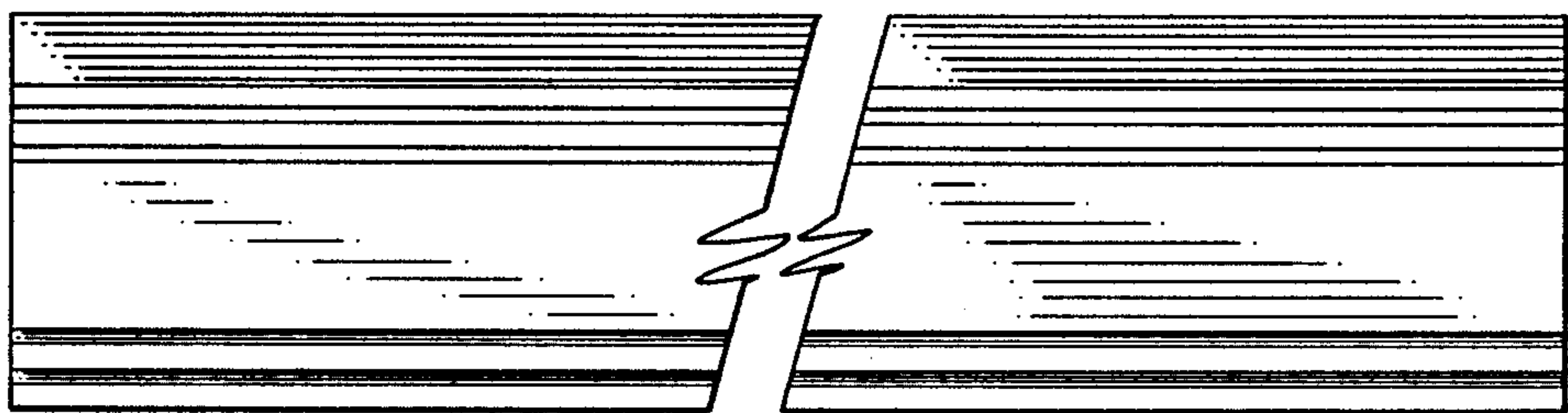


FIG. 2

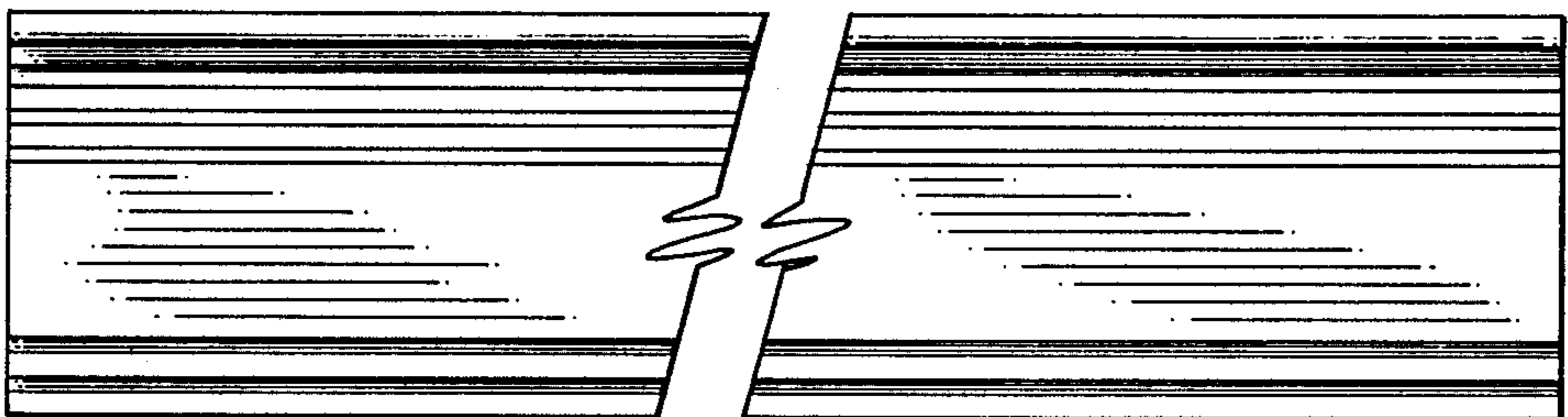


FIG. 3

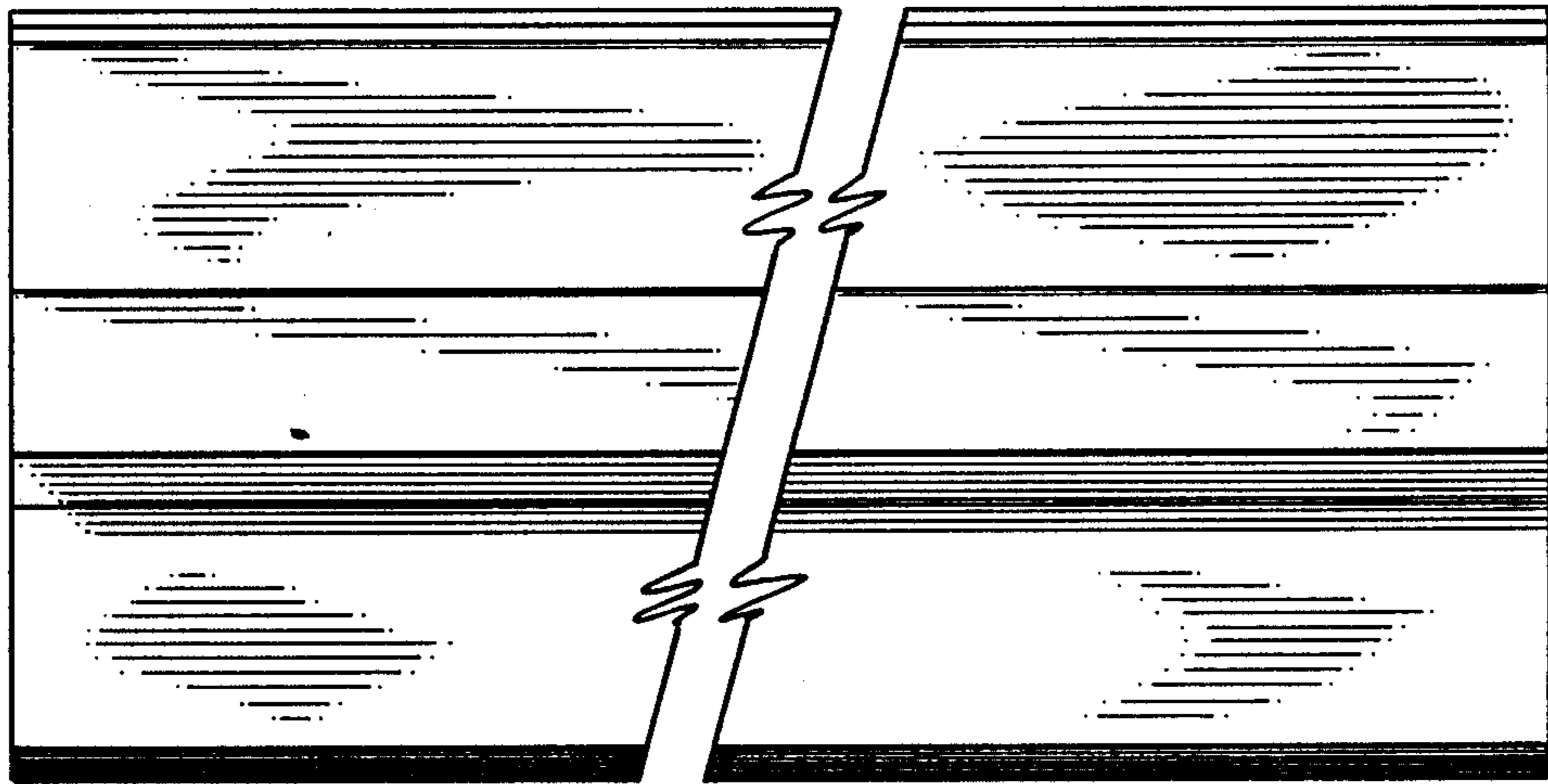


FIG. 4

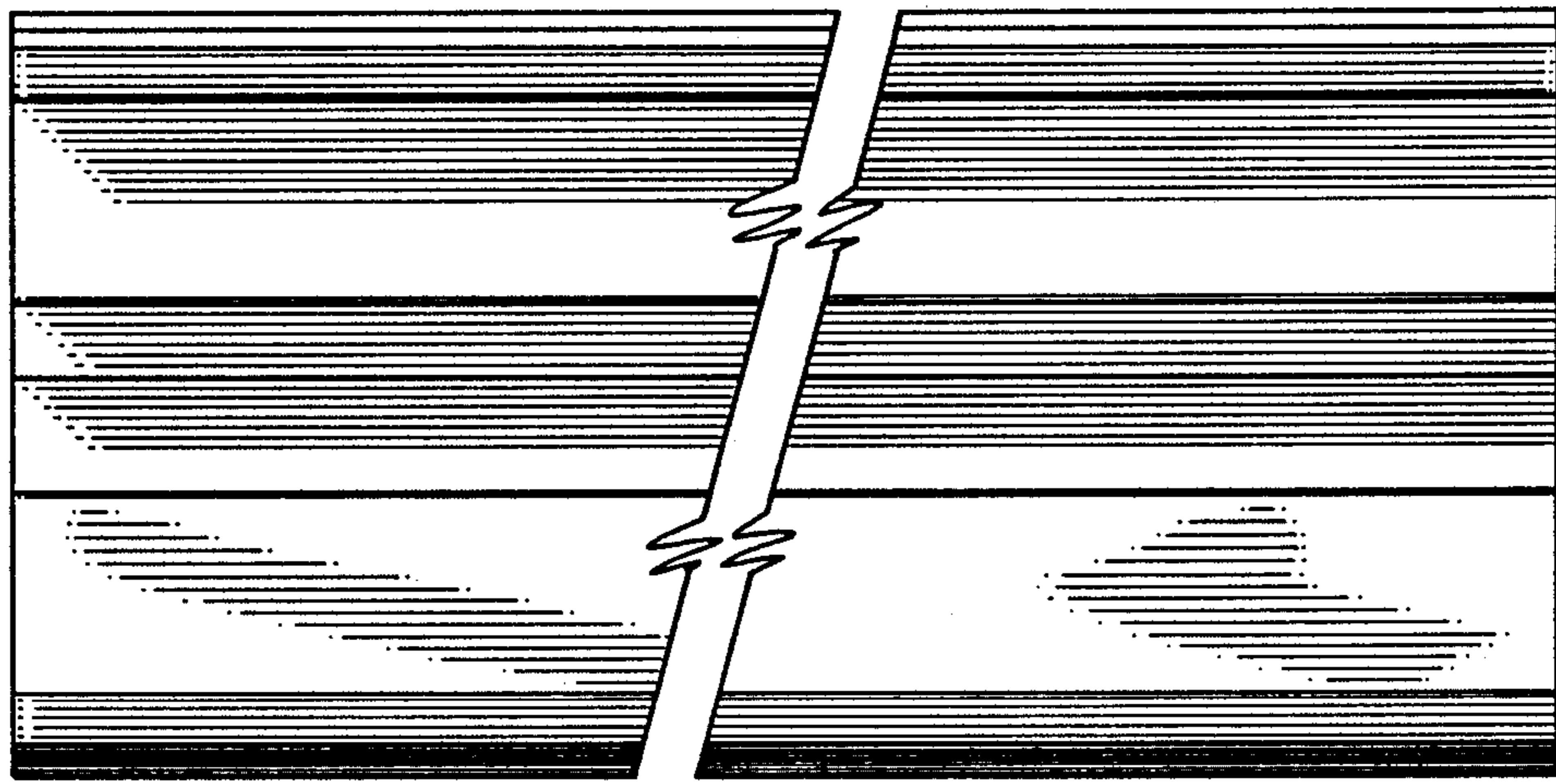


FIG. 5

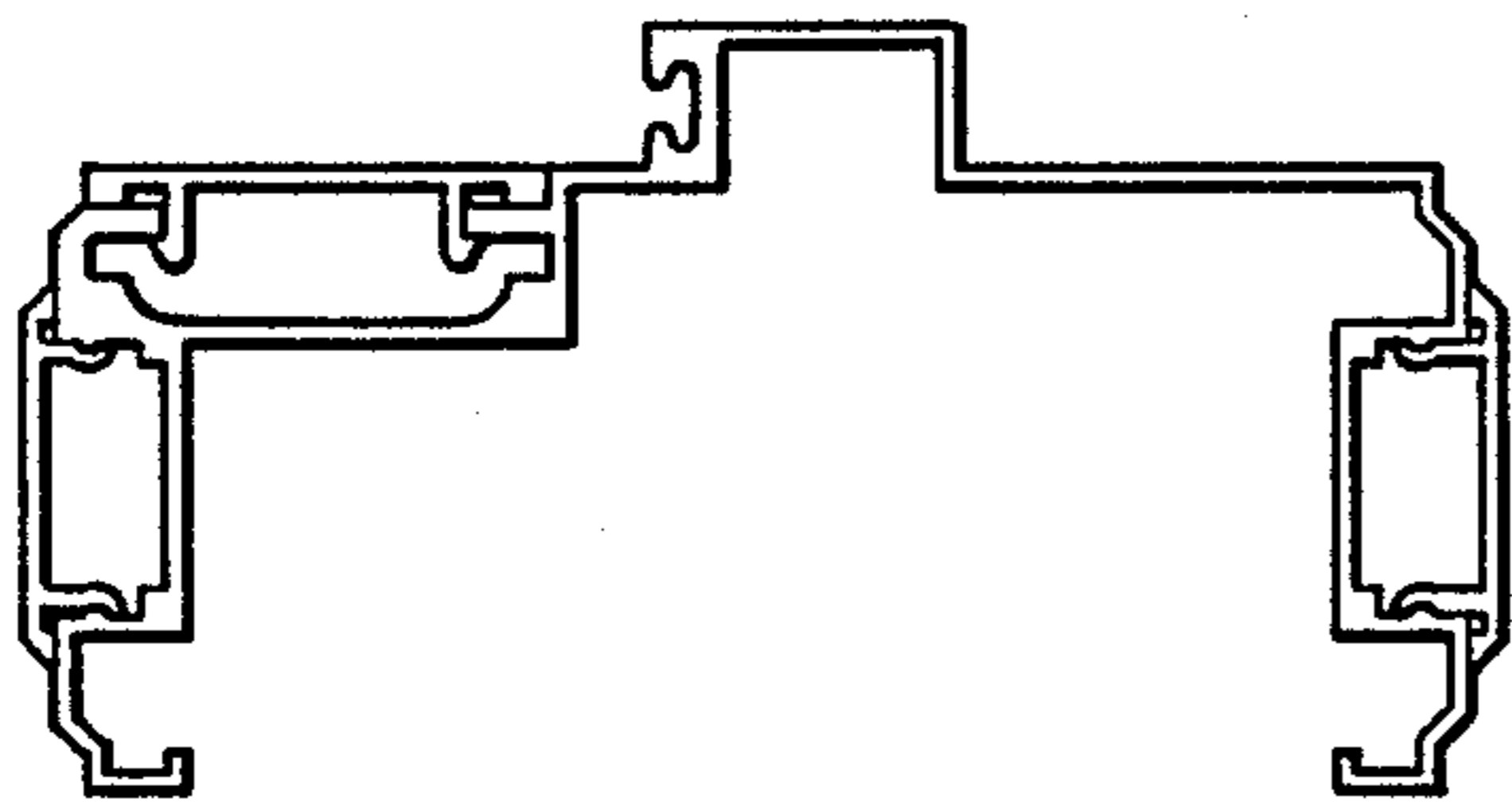


FIG. 6

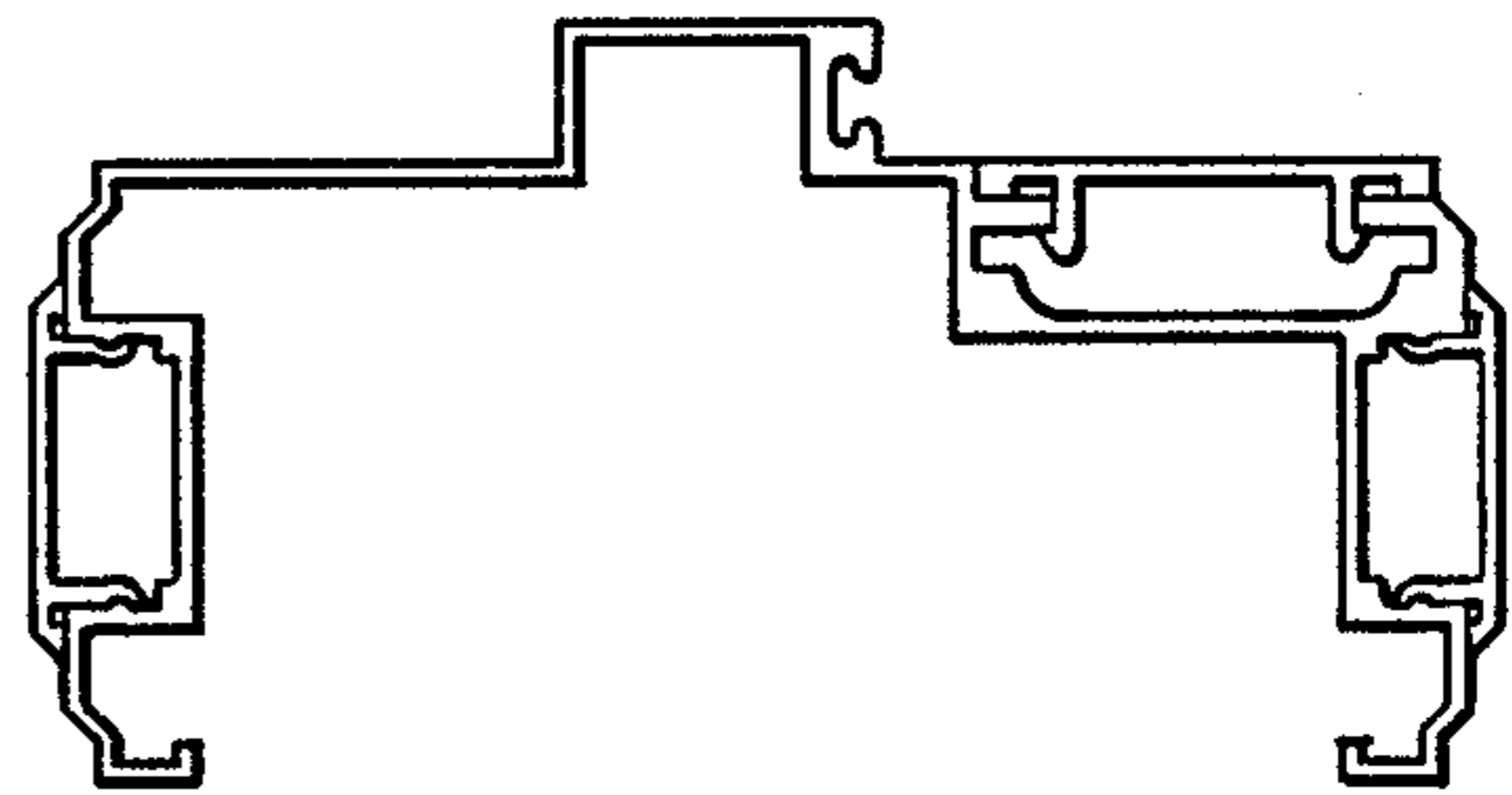


FIG. 7