

[54] **FLUID CARTRIDGE FOR AN AUTOMATED CLINICAL CHEMICAL ANALYZER**

[75] **Inventor: Harold F. Fechtner, Claremont, Calif.**

[73] **Assignee: Beckman Instruments, Inc., Fullerton, Calif.**

[**] **Term: 14 Years**

[21] **Appl. No.: 884,575**

[22] **Filed: Jul. 11, 1986**

[52] **U.S. Cl. D24/8; D9/347; D9/367**

[58] **Field of Search D9/337, 338, 347, 349, D9/352, 353, 355, 367, 368, 369, 370, 372, 373, 374, 378, 387, 390, 394, 399, 401, 403, 404, 406, 413, 428, 438; D24/1.1, 8; 220/67, 78, 75; 222/173, 181, 185; 422/102**

[56] **References Cited**

U.S. PATENT DOCUMENTS

- D. 149,313 4/1948 Shapiro D9/403
- D. 159,762 8/1950 Touhey et al. D9/368
- D. 237,655 11/1975 Engelsher D24/8
- D. 250,834 1/1979 Ruppert D24/1.1
- D. 261,552 10/1981 Boroda D24/8

- D. 276,264 11/1984 Boris D24/8
- D. 276,265 11/1984 Boris D24/8
- D. 276,266 11/1984 Boris D24/8
- D. 276,267 11/1984 Boris D24/8
- D. 276,268 11/1984 Boris D24/8
- D. 276,269 11/1984 Boris D24/8
- D. 276,270 11/1984 Boris D24/8
- D. 276,271 11/1984 Boris D24/8
- 4,360,360 11/1982 Chiknas D24/1.1
- 4,391,780 7/1983 Boris 422/102

Primary Examiner—B. J. Bullock

Assistant Examiner—Murphy Celia A.

Attorney, Agent, or Firm—William H. May; Arnold Grant; Gary T. Hampson

[57] **CLAIM**

The ornamental design for a fluid cartridge for an automated clinical chemical analyzer, as shown.

DESCRIPTION

FIG. 1 is a perspective view of a fluid cartridge for an automated clinical chemical analyzer, showing my new design;

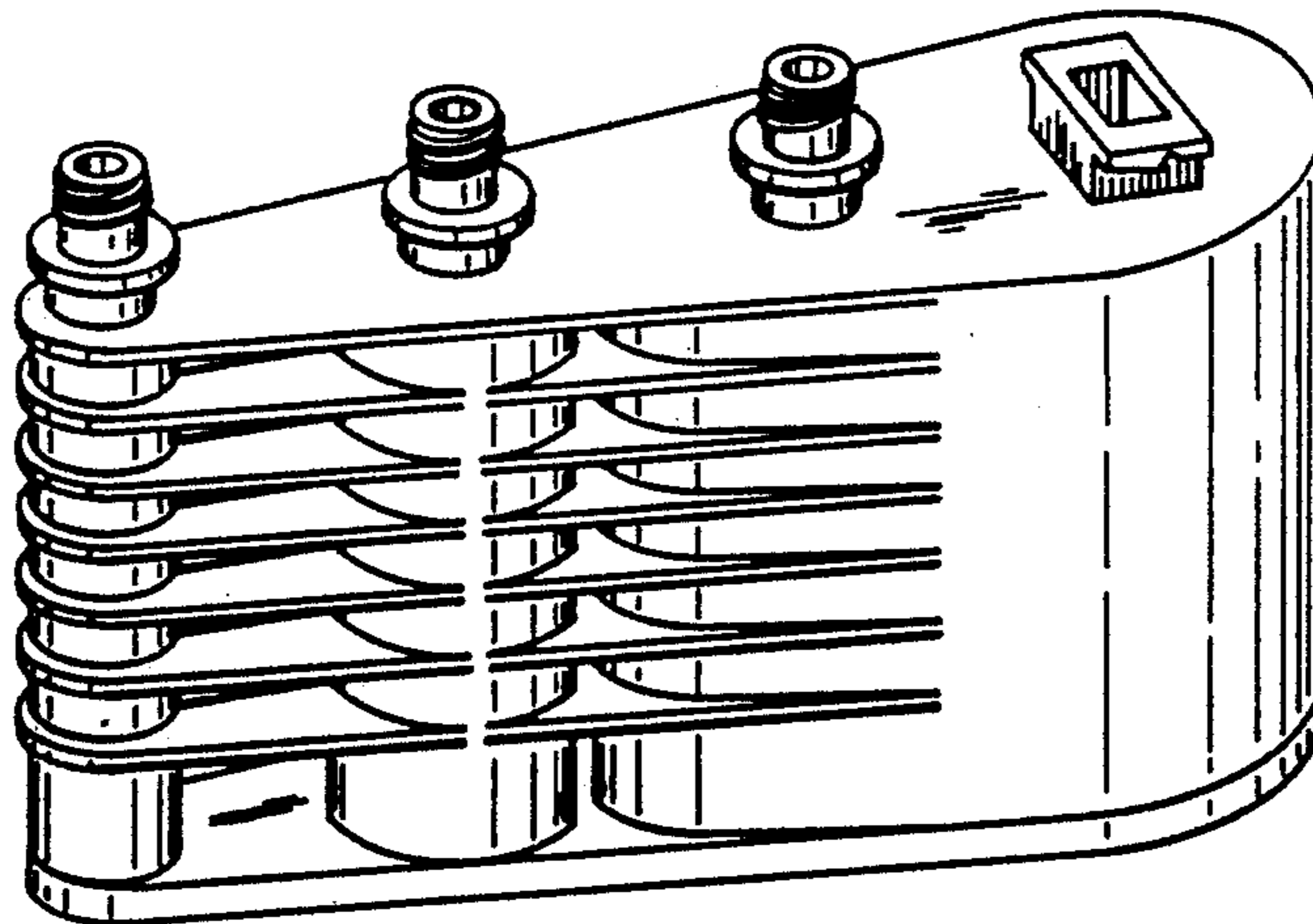
FIG. 2 is a right side elevational view thereof;

FIG. 3 is a front elevational view thereof;

FIG. 4 is a bottom plan view thereof;

FIG. 5 is a left side elevational view thereof;

FIG. 6 is a rear elevational view thereof.



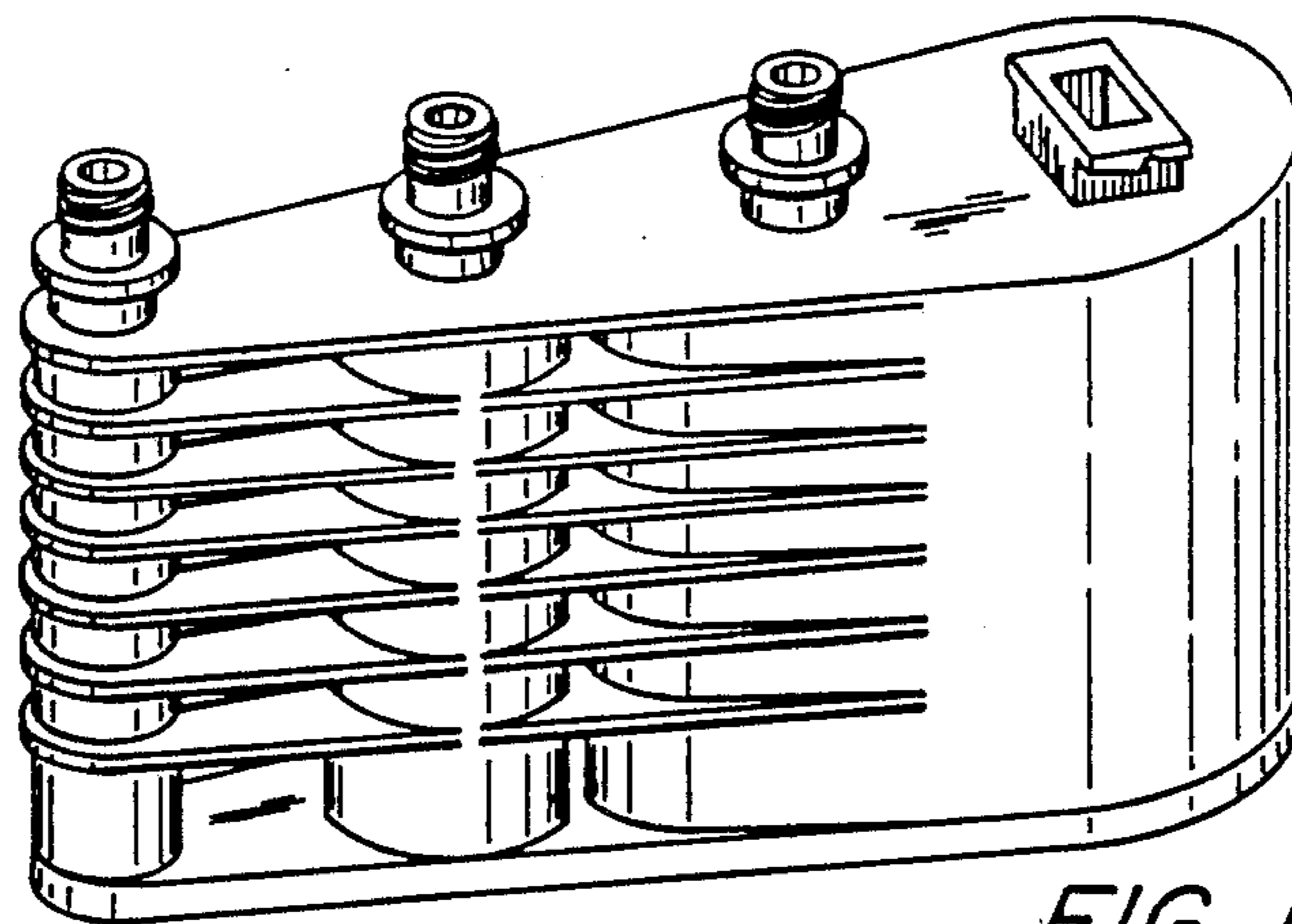


FIG. 1

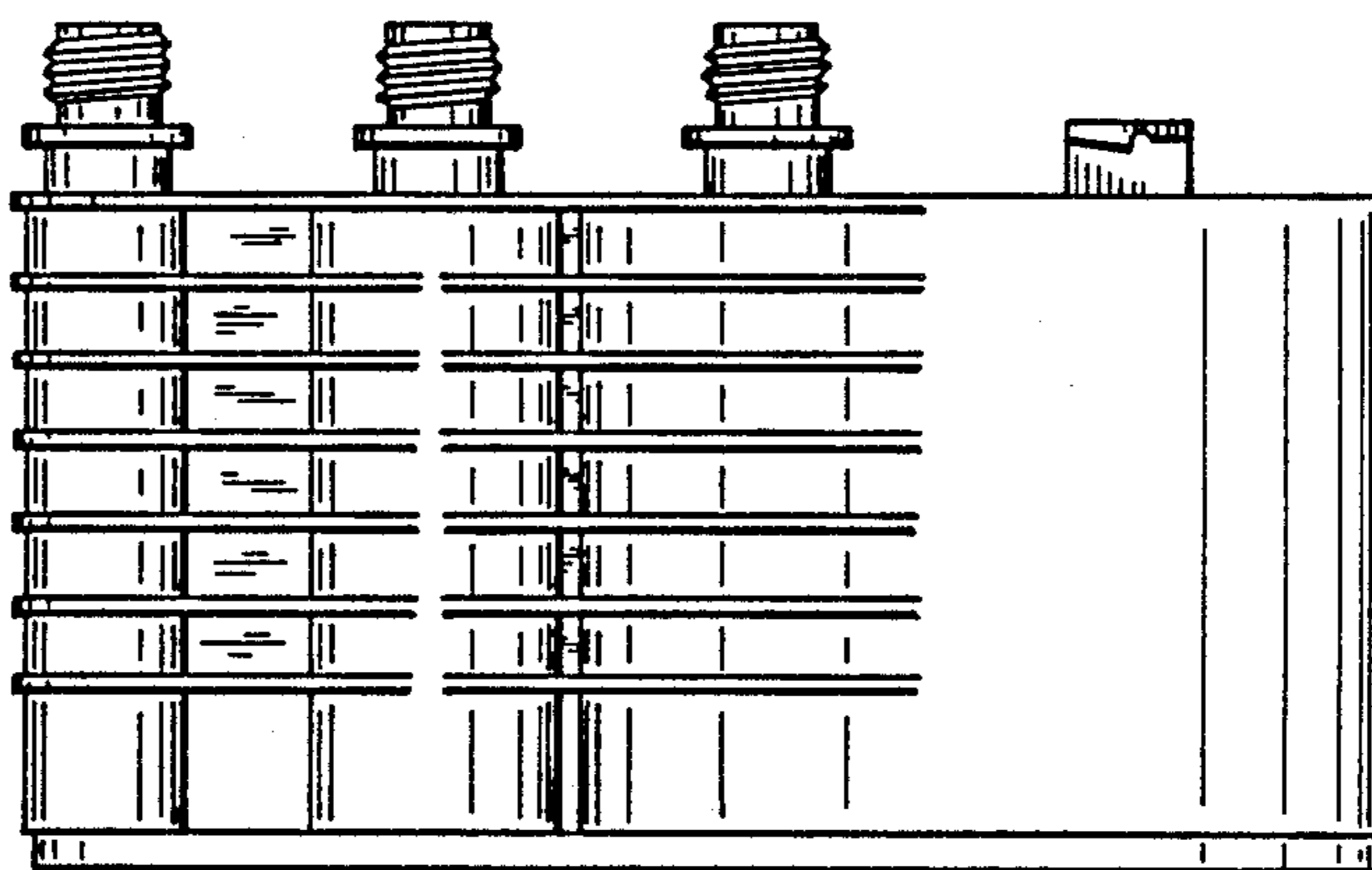


FIG. 2

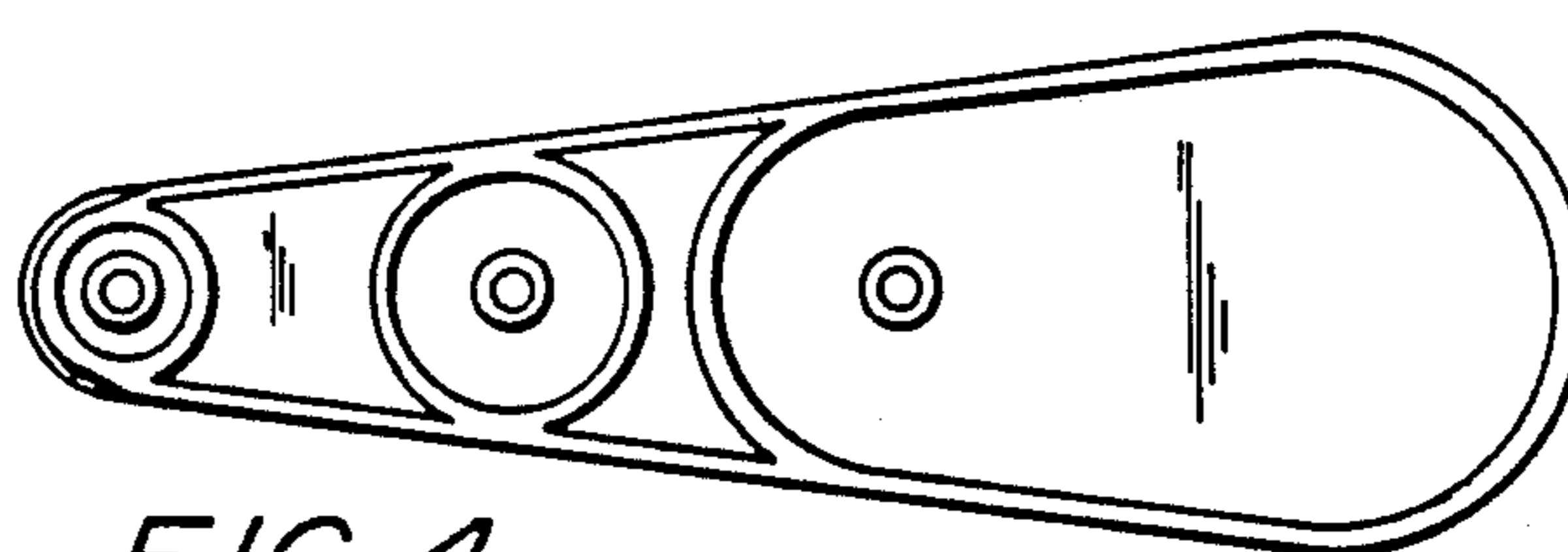


FIG. 4

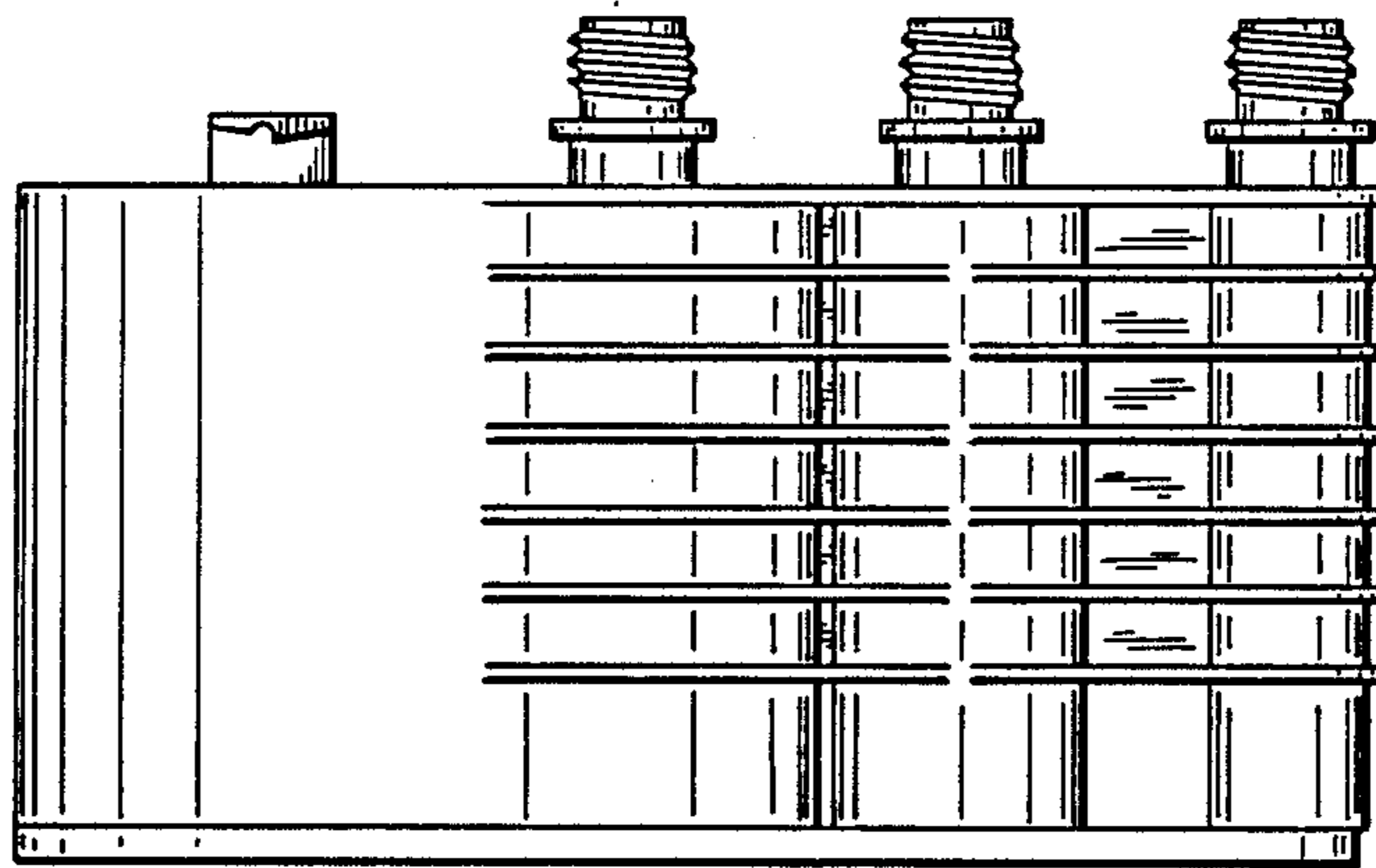


FIG. 5

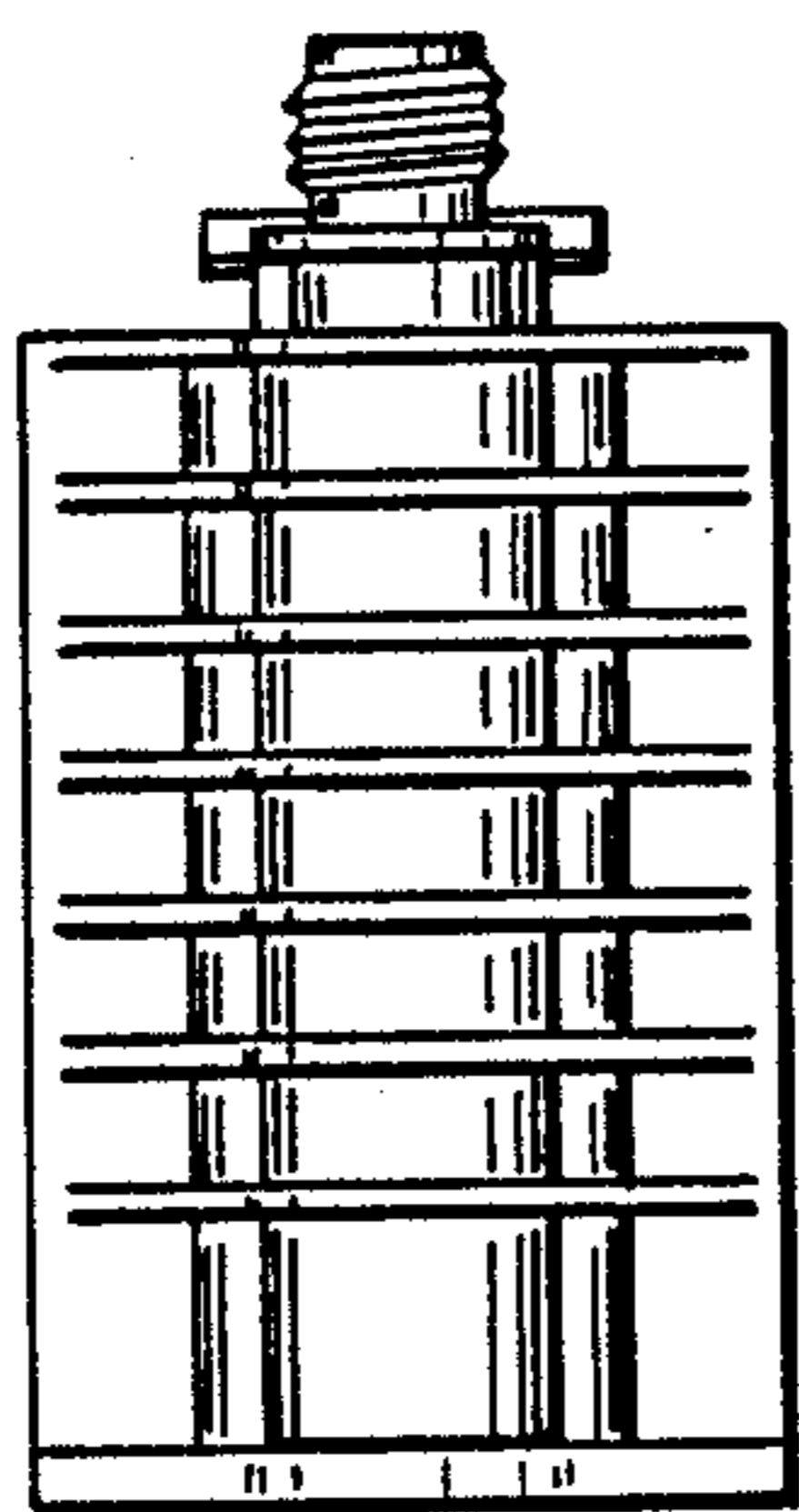


FIG. 3

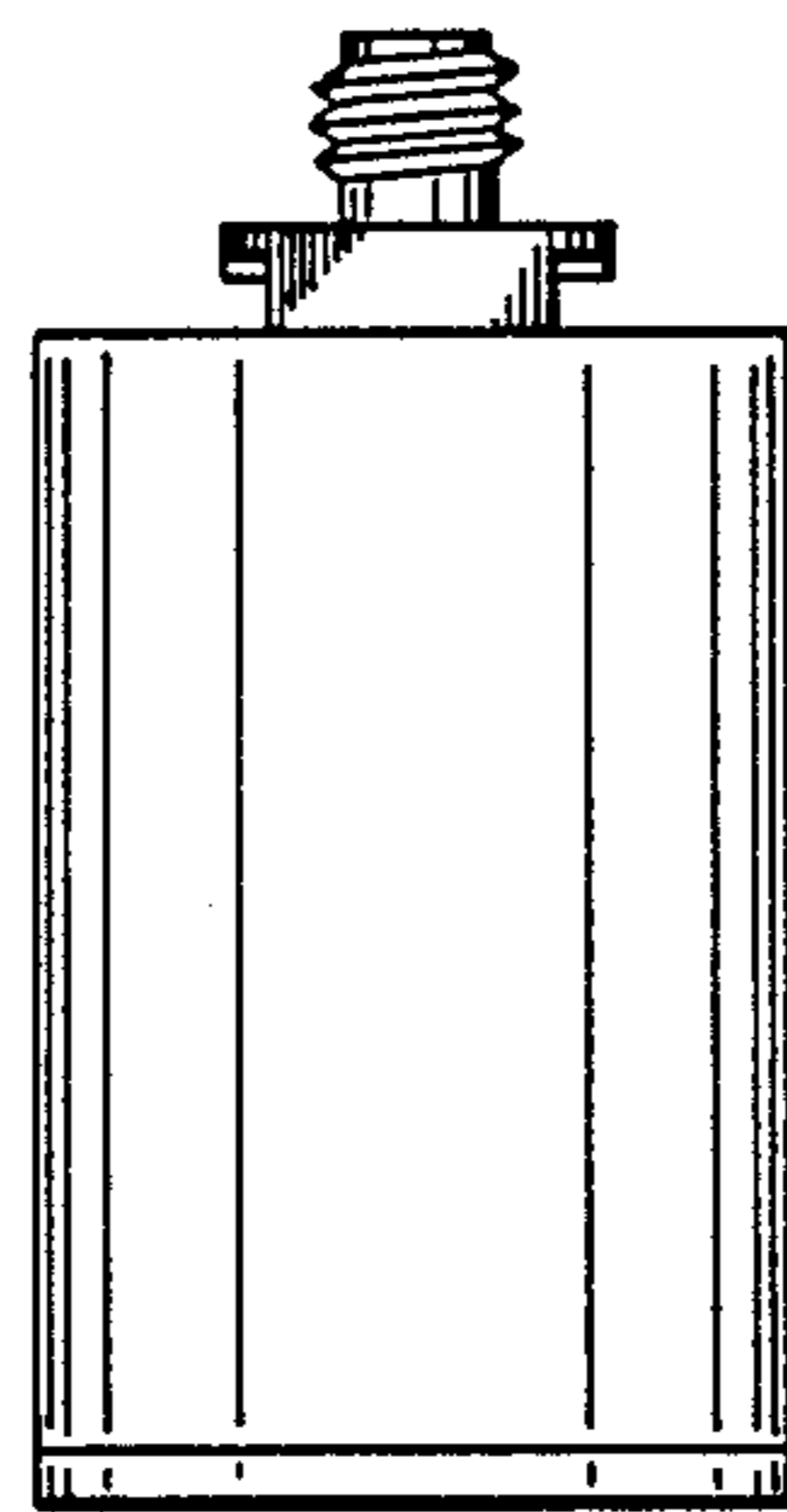


FIG. 6