

[54] **DOWNRIGGER CONTROL BOARD**

4,763,437 8/1988 Cuda 43/43.13

[75] **Inventor: Gene L. Skille, Rte. 2, Box 2057,
Hayward, Wis. 54843**

Primary Examiner—Wallace R. Burke
Assistant Examiner—Kay H. Chin
Attorney, Agent, or Firm—Harold D. Jastram

[73] **Assignee: Gene L. Skille, Hayward, Wis.**

[**] **Term: 14 Years**

[57] **CLAIM**

The ornamental design for a downrigger control board,
as shown and described.

[21] **Appl. No.: 129,094**

[22] **Filed: Dec. 7, 1987**

[52] **U.S. Cl. D22/134; D21/236**

[58] **Field of Search D21/236; 43/43.013;
D22/126, 134, 143, 146**

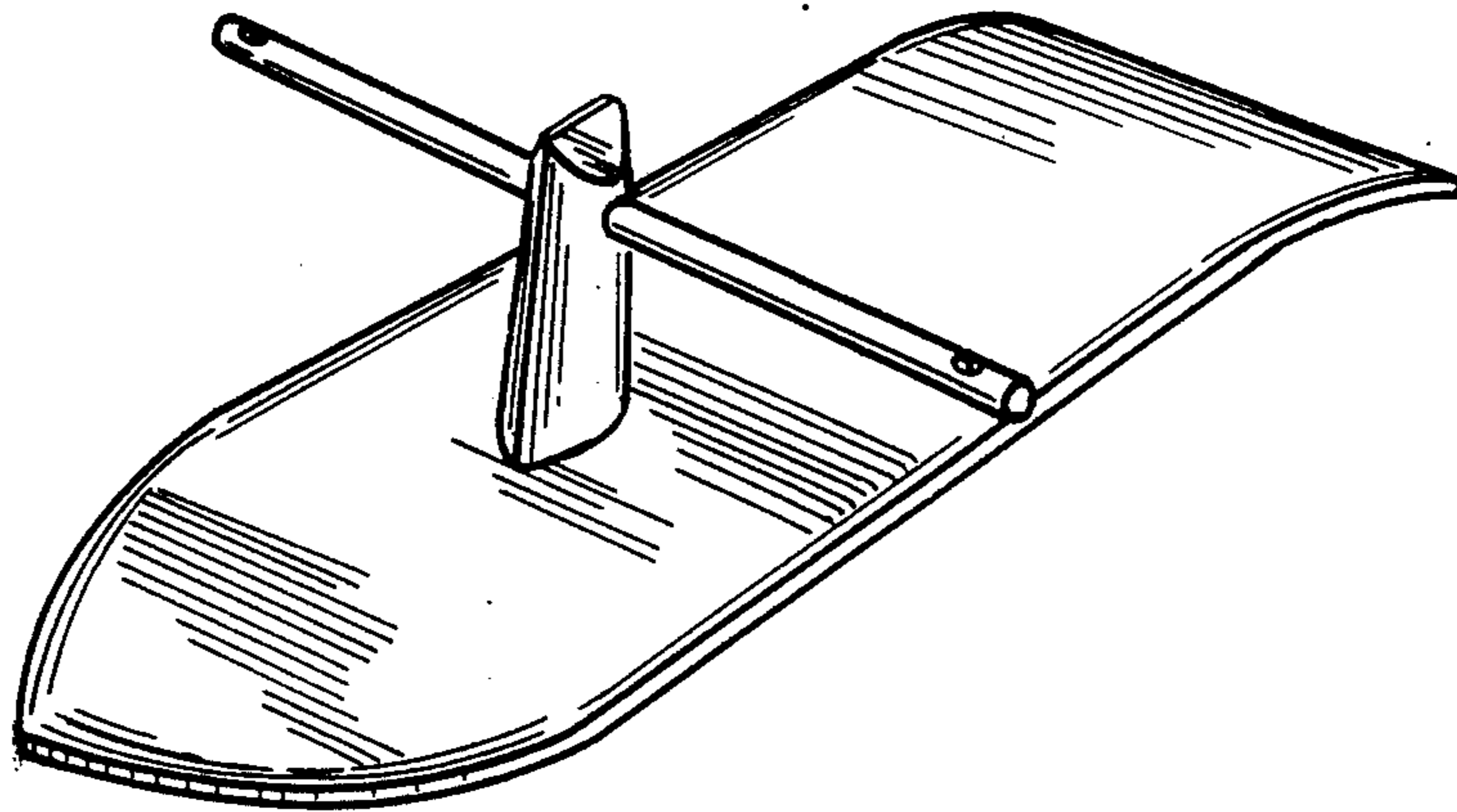
DESCRIPTION

FIG. 1 is a side elevational view of a downrigger control board showing my new design;
FIG. 2 is a top plan view thereof;
FIG. 3 is a front elevation view thereof;
FIG. 4 is a front perspective view thereof;
FIG. 5 is a side elevational view of a second embodiment of the downrigger control board;
FIG. 6 is a top plan view of FIG. 5;
FIG. 7 is a front perspective view of FIG. 5;
FIG. 8 is a front elevational view of FIG. 5; and
FIG. 9 is a bottom plan view of FIG. 5.

[56] **References Cited**

U.S. PATENT DOCUMENTS

2,566,029	8/1951	Louthan	43/43.13
3,142,929	8/1964	Killilea	43/43.13
3,181,266	5/1965	Leufvenius	43/43.13
3,839,813	10/1974	DeSmidt et al.	43/43.13
4,745,702	5/1988	Koch	43/43.13



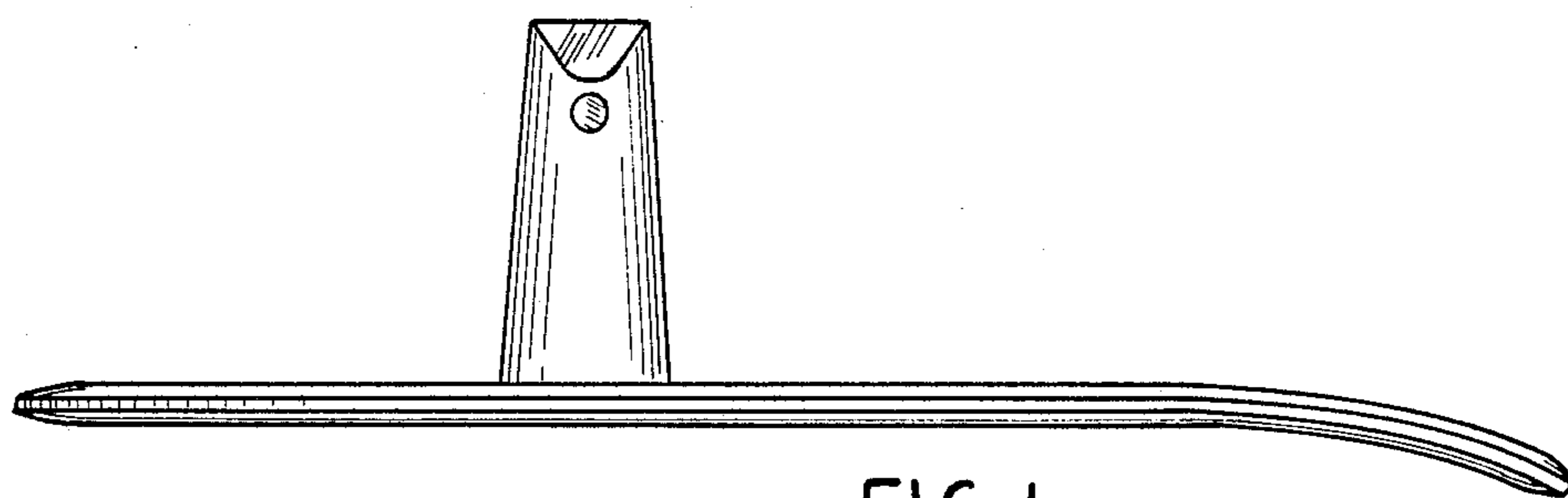


FIG. 1

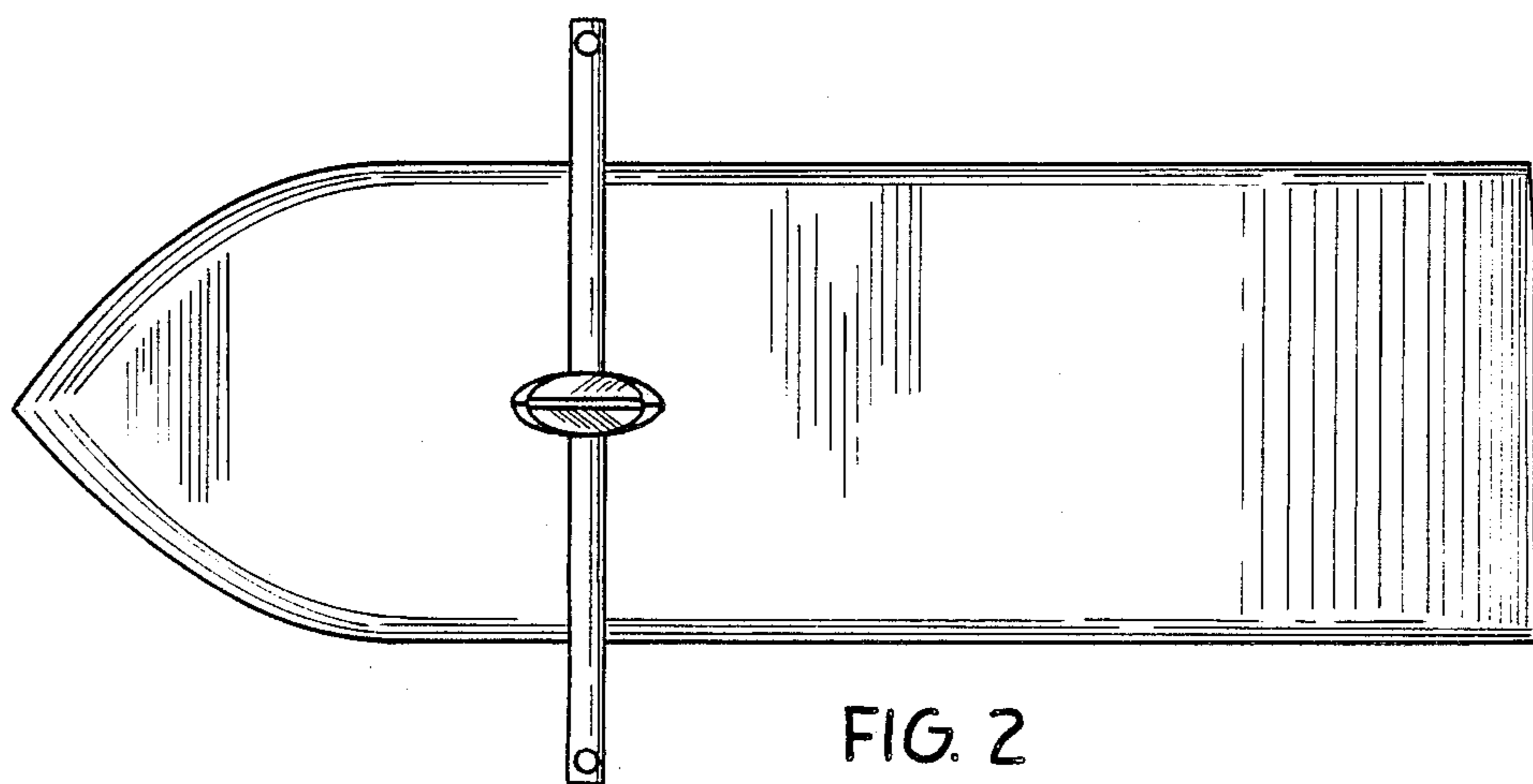


FIG. 2

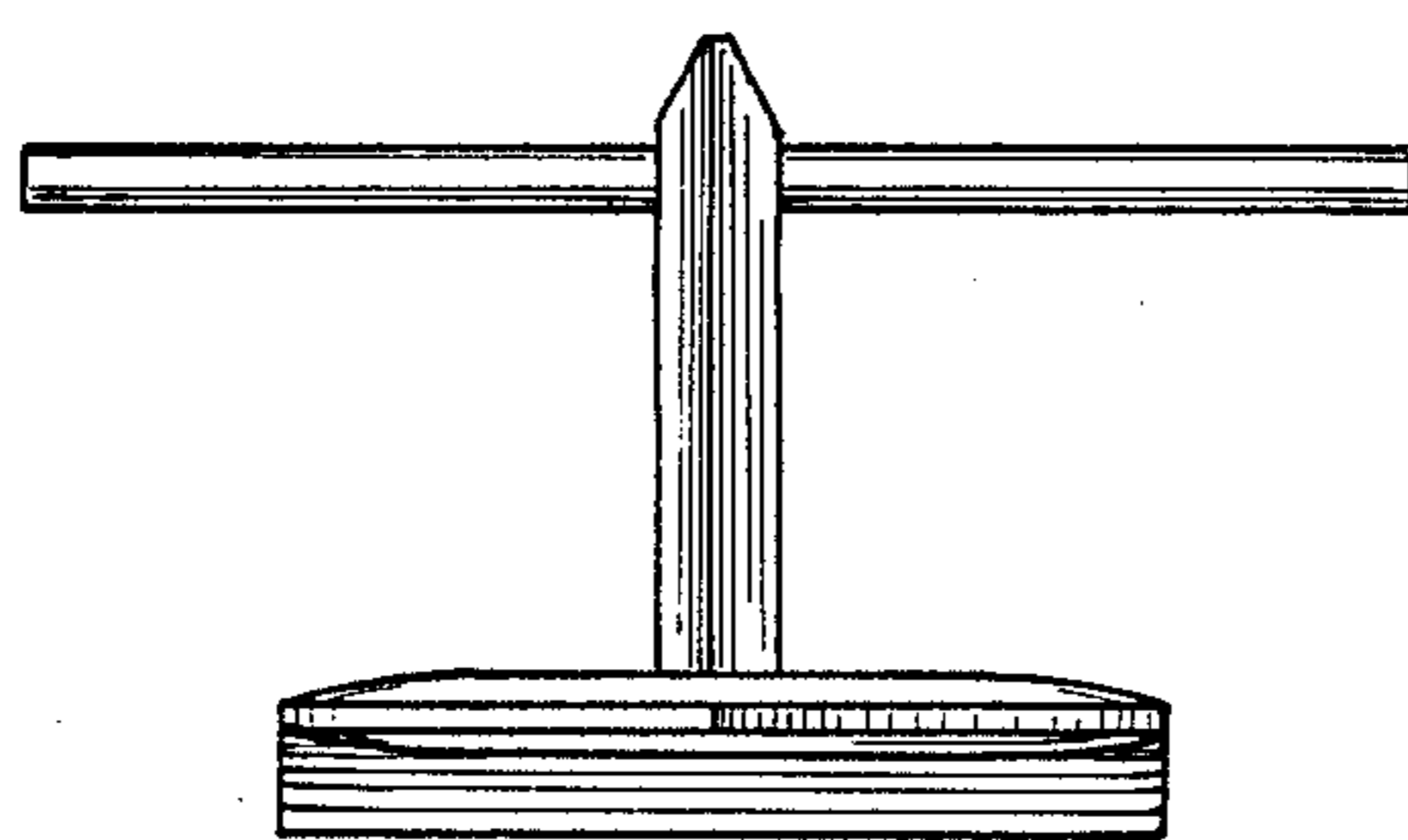


FIG. 3

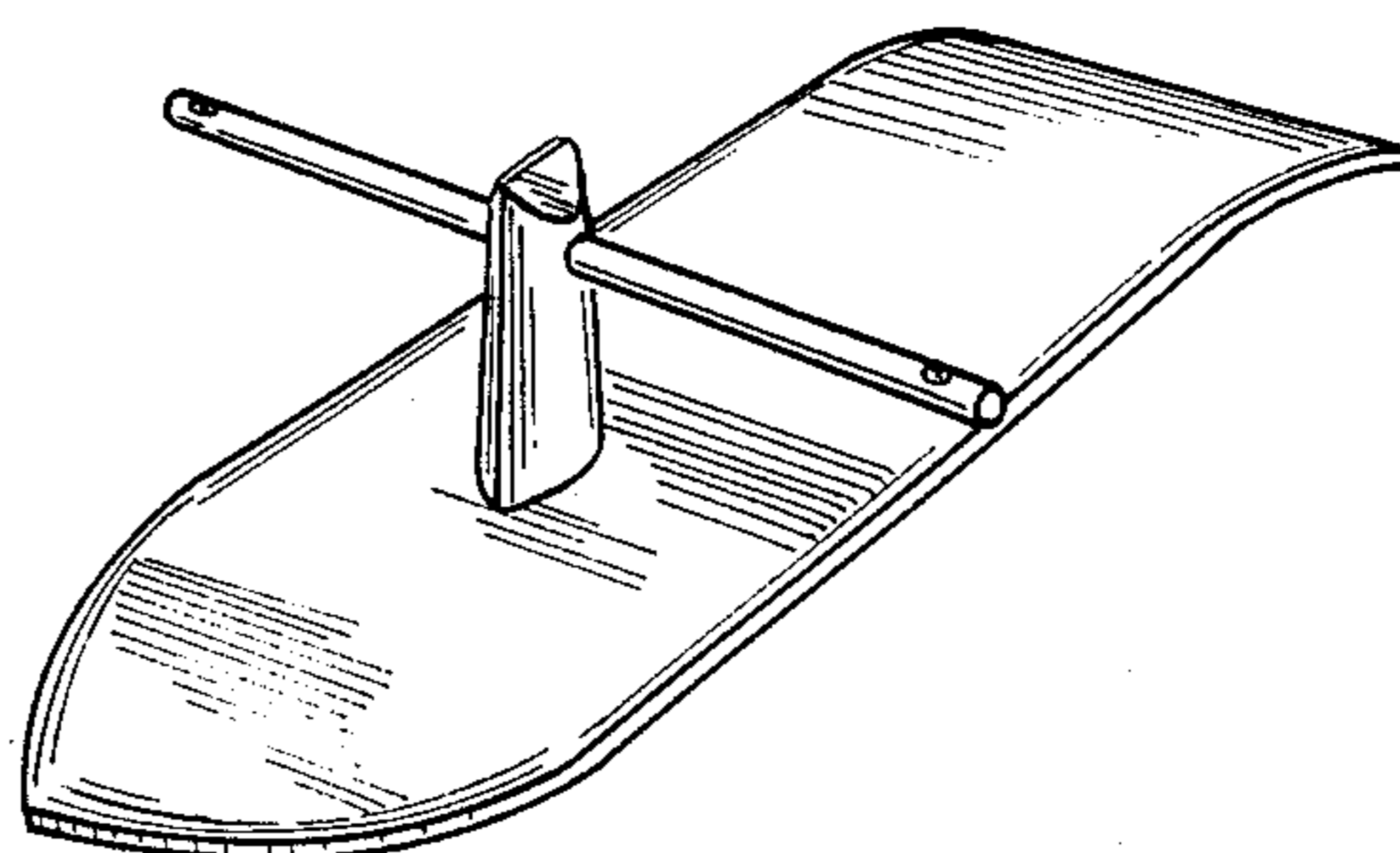


FIG. 4

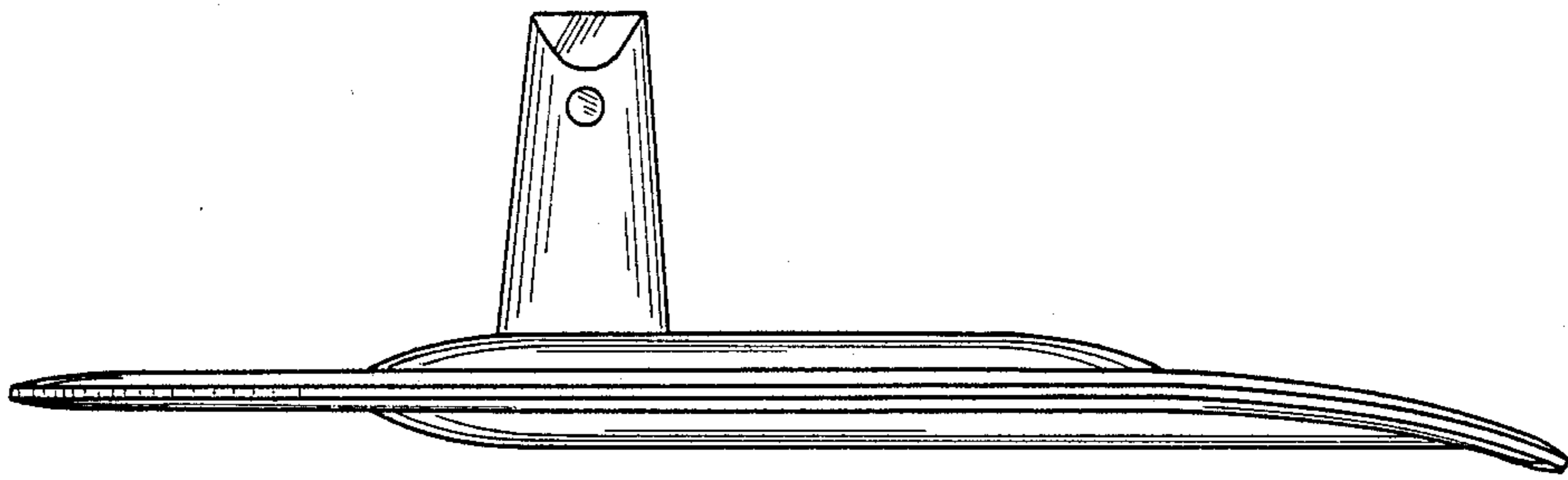


FIG. 5

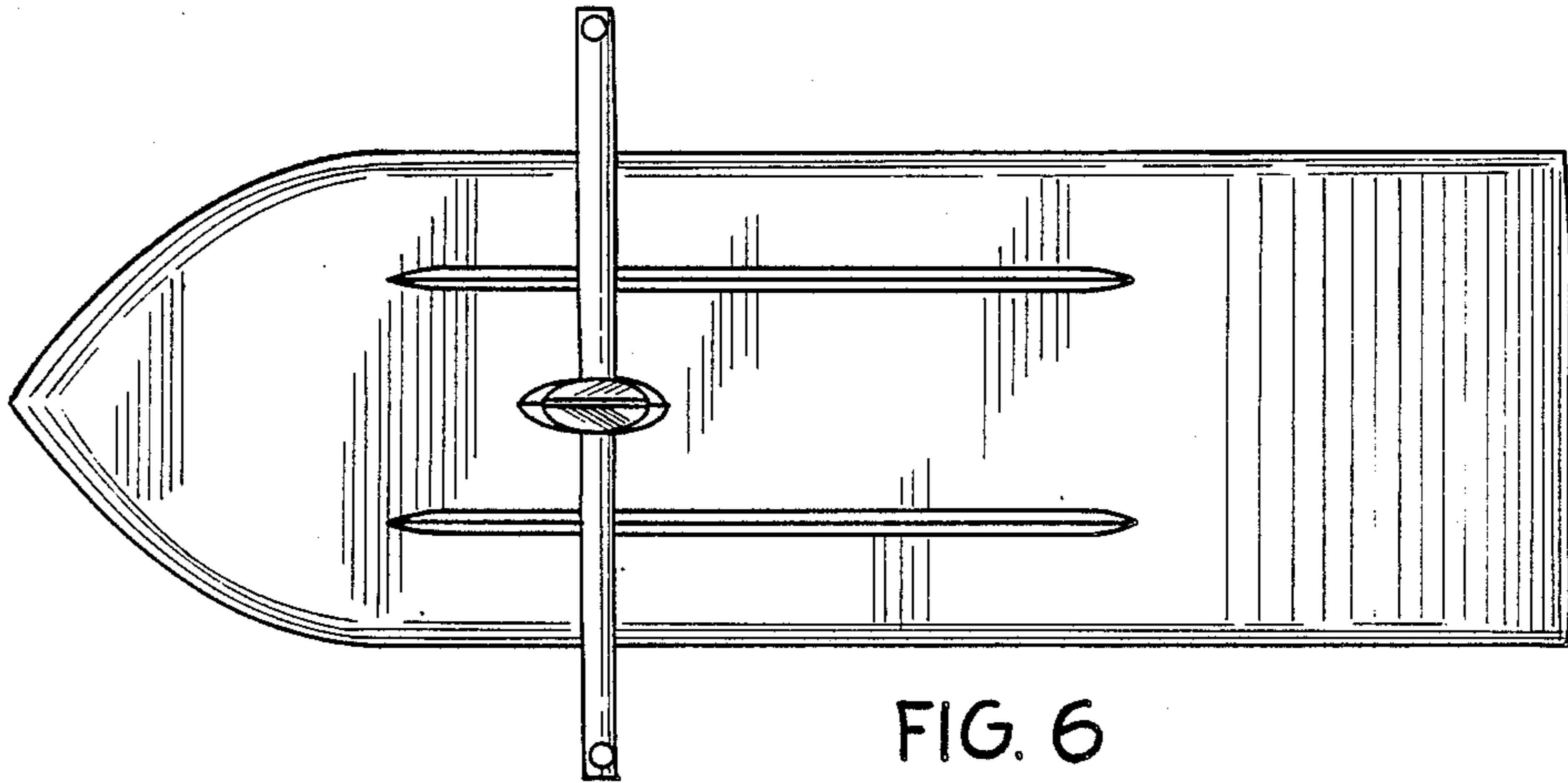


FIG. 6

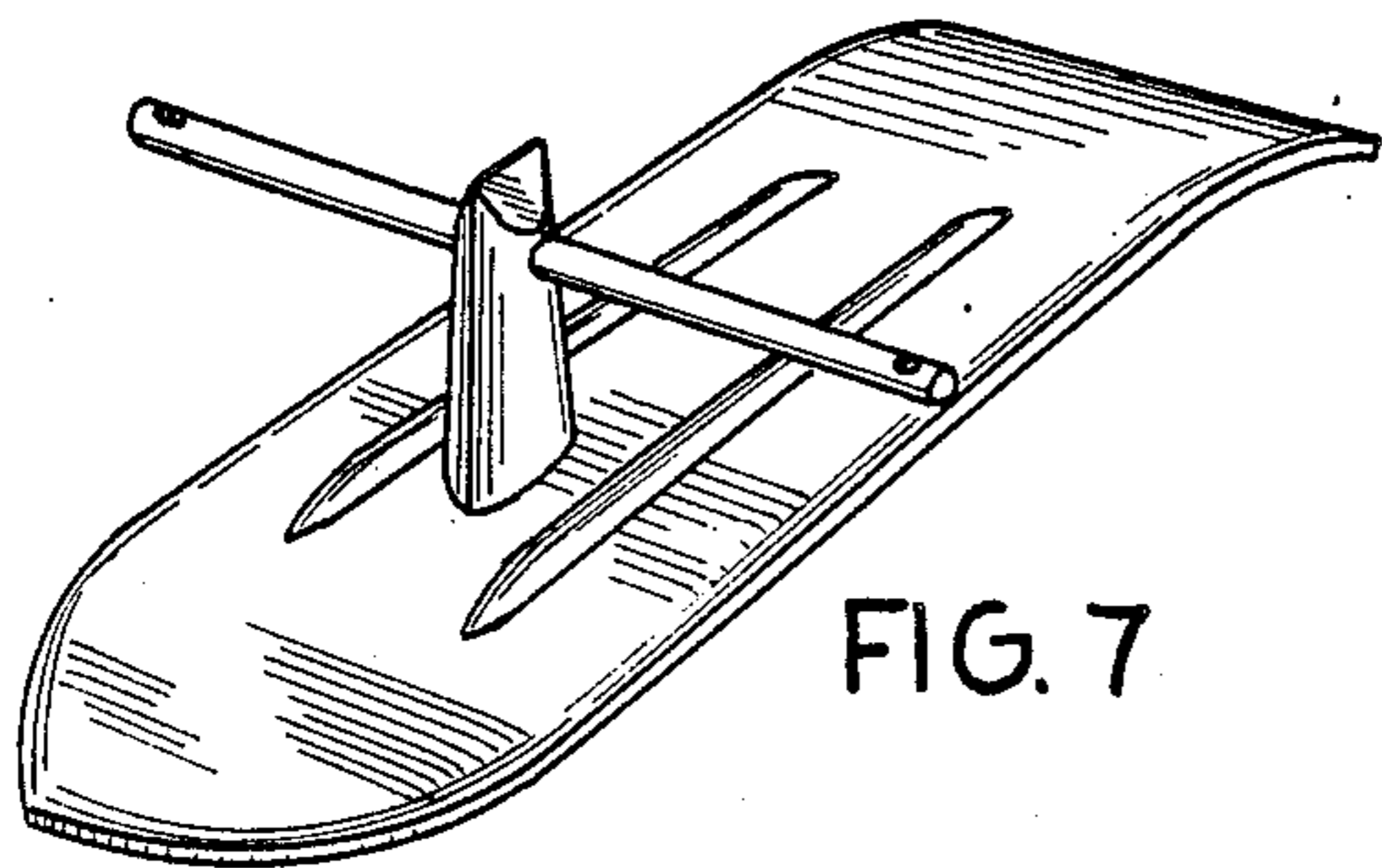


FIG. 7

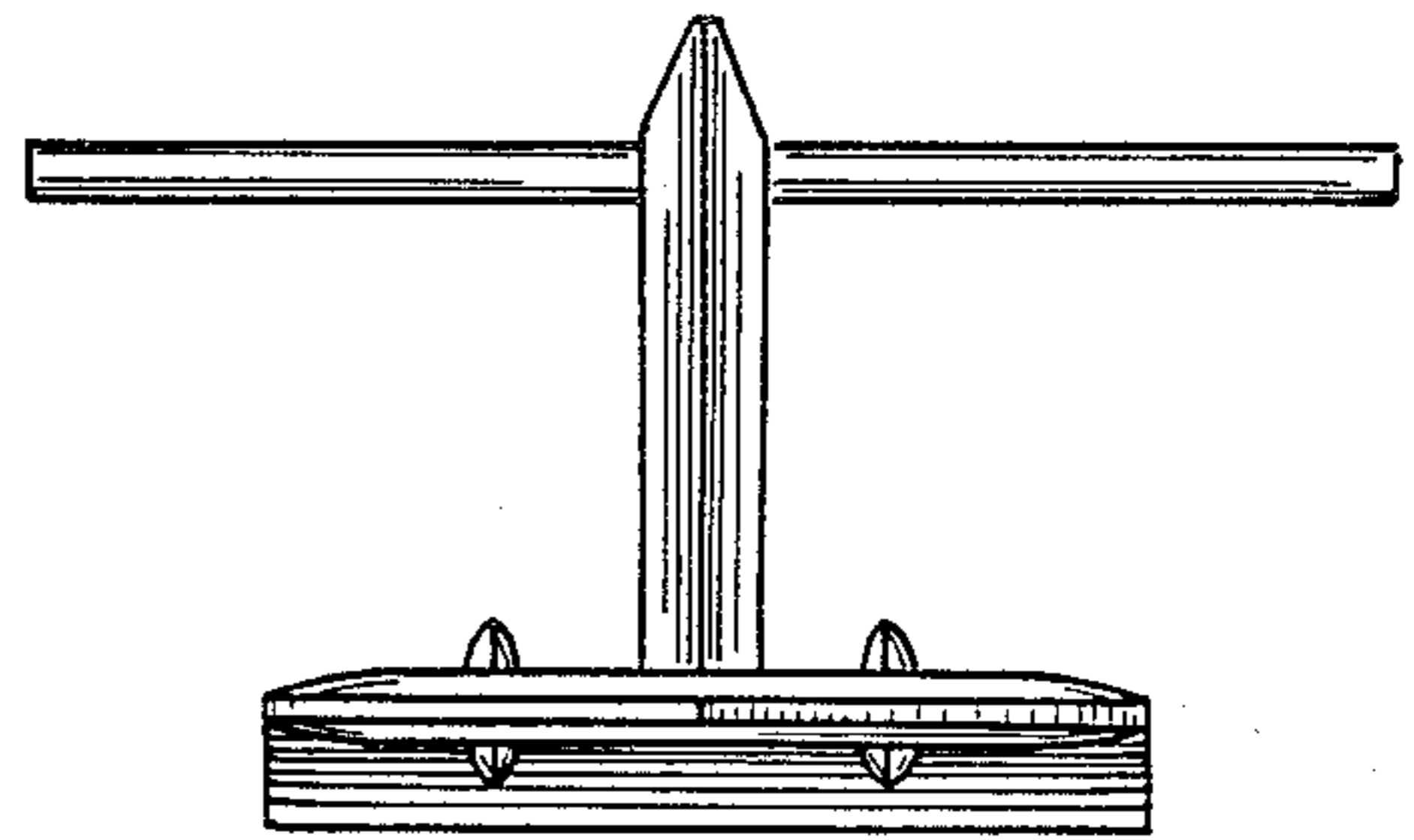


FIG. 8

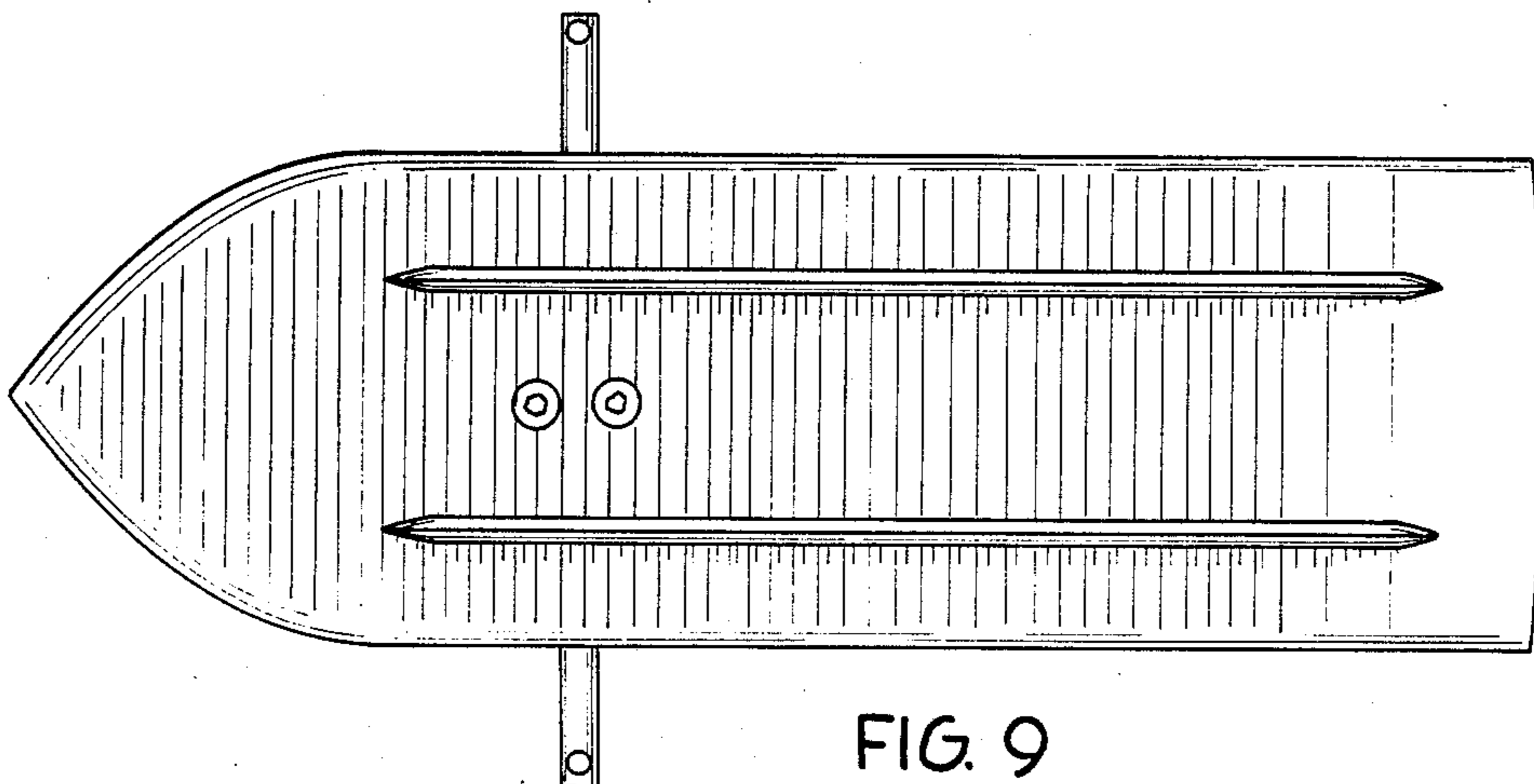


FIG. 9