

[54] COMBINED LAMP, BATTERY, AND MOUNTING CLIP ASSEMBLY FOR ATTACHMENT ON A FISHING POLE TIP

[76] Inventor: Kenneth L. Mills, 825 Carroll Rd., Charleston, W. Va. 25315

[\*\*] Term: 14 Years

[21] Appl. No.: 884,740

[22] Filed: Jul. 11, 1986

[52] U.S. Cl. .... D22/134; D22/148; D26/38; D26/46; D26/60

[58] Field of Search ..... D26/37-50, D26/60; 362/157, 158, 183-191, 194-208, 102, 109, 120; 43/17, 17.5; D22/148, 134

[56] References Cited

U.S. PATENT DOCUMENTS

1,743,936	1/1930	Segesser	362/191
2,008,070	7/1935	Godman	362/205
3,188,767	6/1965	Finefield	43/17
3,571,536	3/1971	Sparks	43/17 X

3,878,635	4/1975	Trosper et al.	43/17
4,178,712	12/1979	Williams	362/194 X

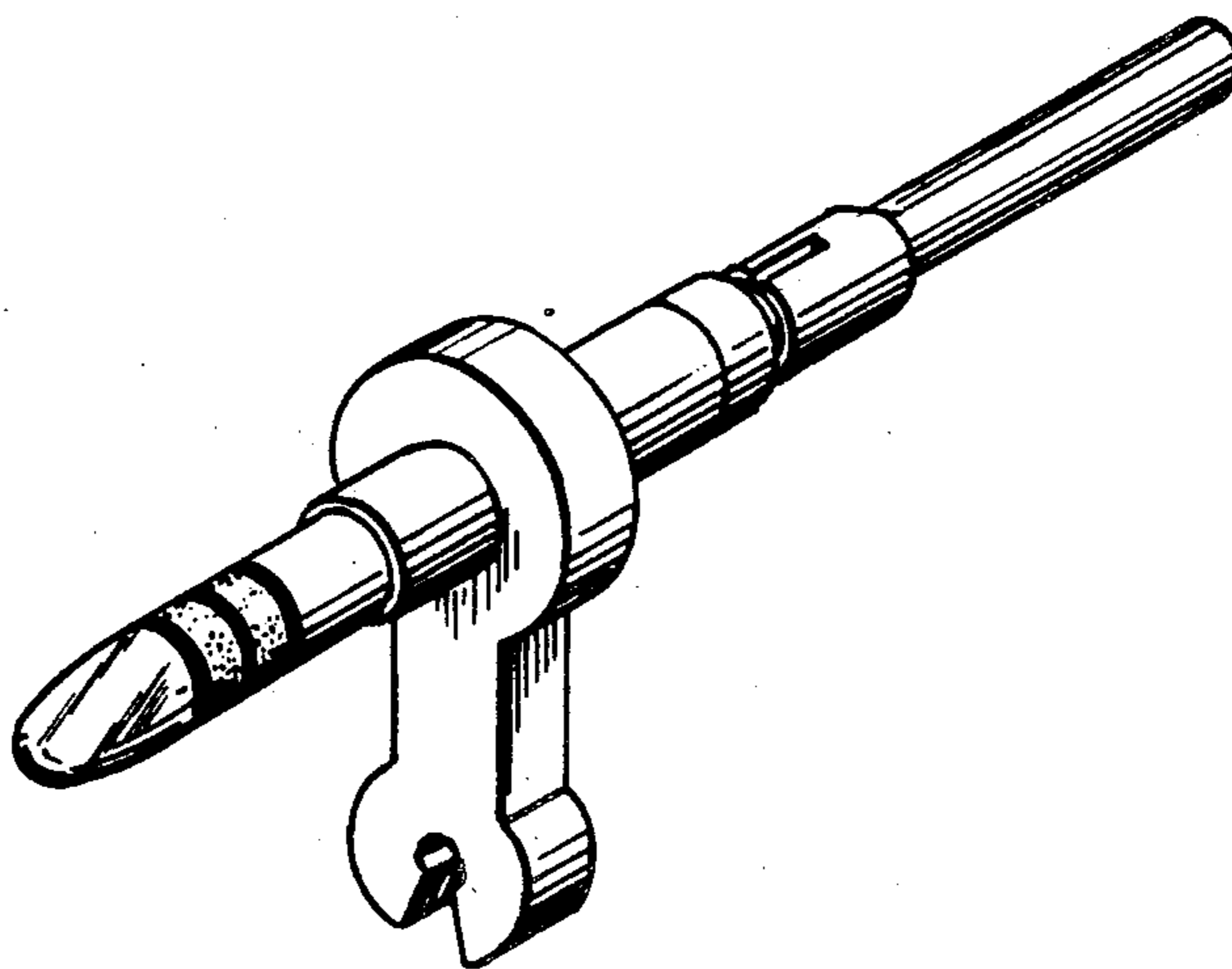
Primary Examiner—Susan J. Lucas  
Attorney, Agent, or Firm—Mason, Fenwick & Lawrence

[57] CLAIM

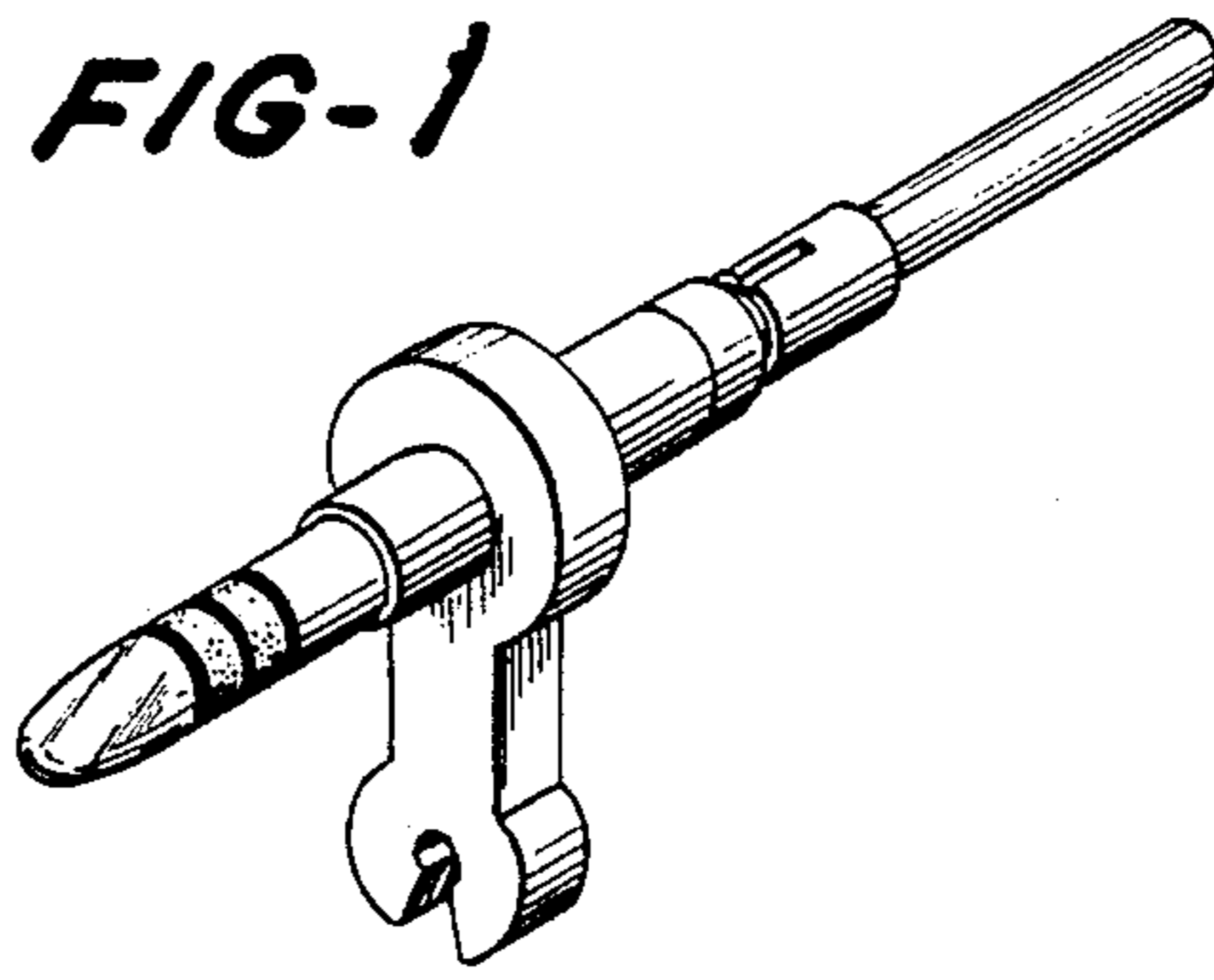
The ornamental design for a combined lamp, battery and mounting clip assembly for attachment on a fishing pole near the tip thereof, as shown and described.

DESCRIPTION

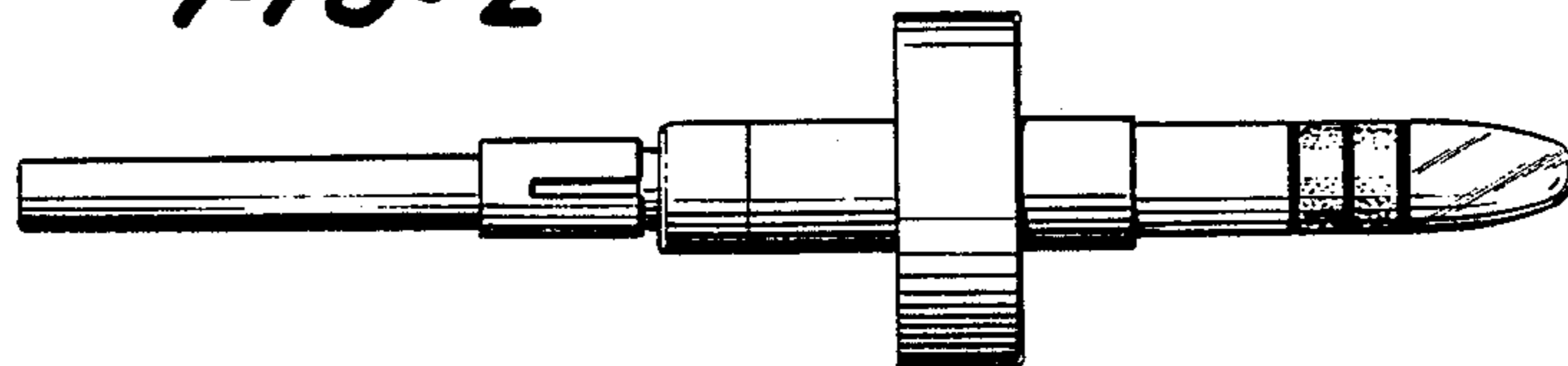
FIG. 1 is a top, front perspective view of a combined lamp, battery, and mounting clip assembly for attachment on a fishing pole tip showing my new design; FIG. 2 is a top plan view thereof on an enlarged scale; FIG. 3 is a side elevational view thereof on an enlarged scale, the opposite side being a mirror image; FIG. 4 is a front elevational view thereof on an enlarged scale; FIG. 5 is a rear elevational view thereof on an enlarged scale; and FIG. 6 is a bottom plan view thereof on an enlarged scale.



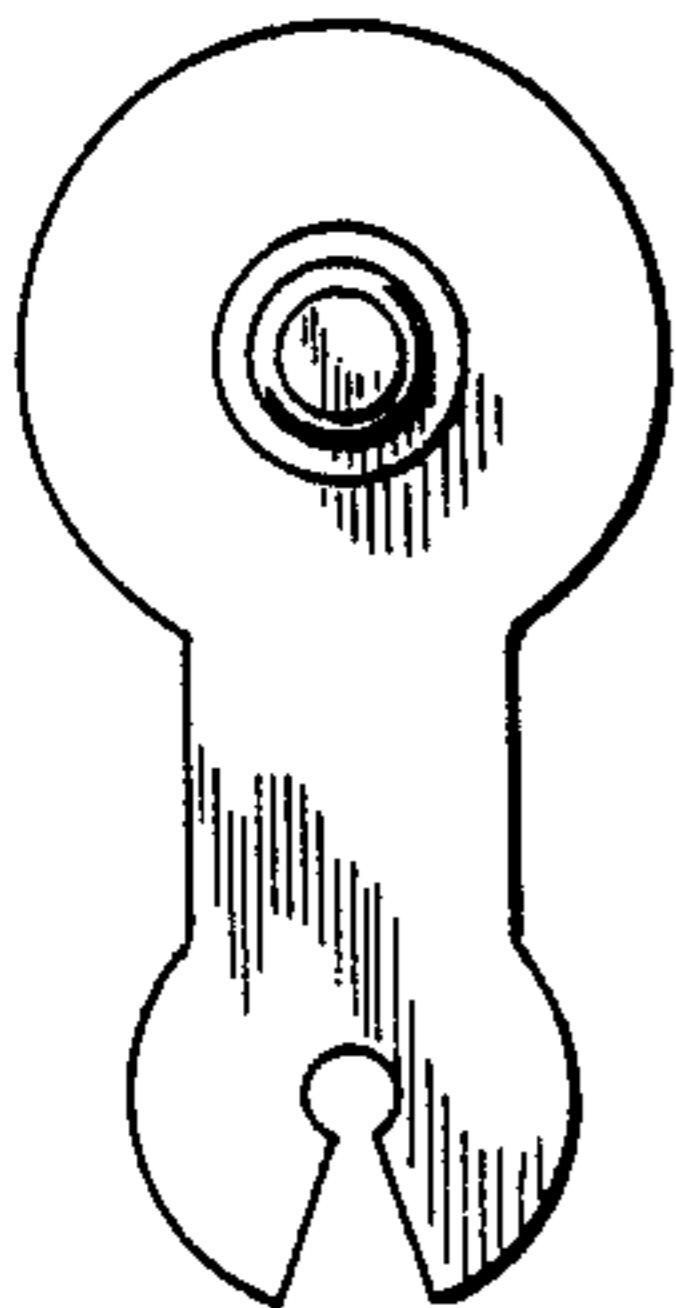
**FIG-1**



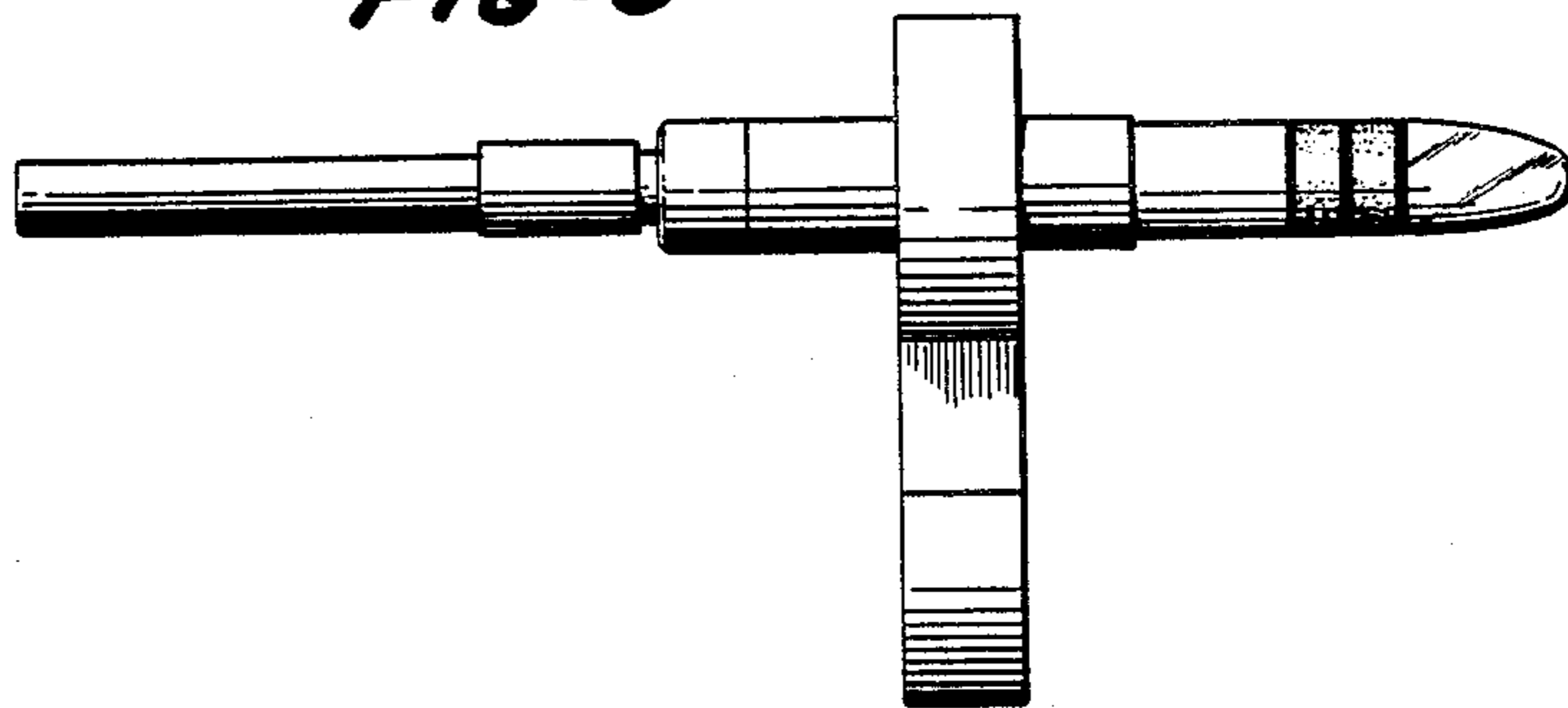
**FIG-2**



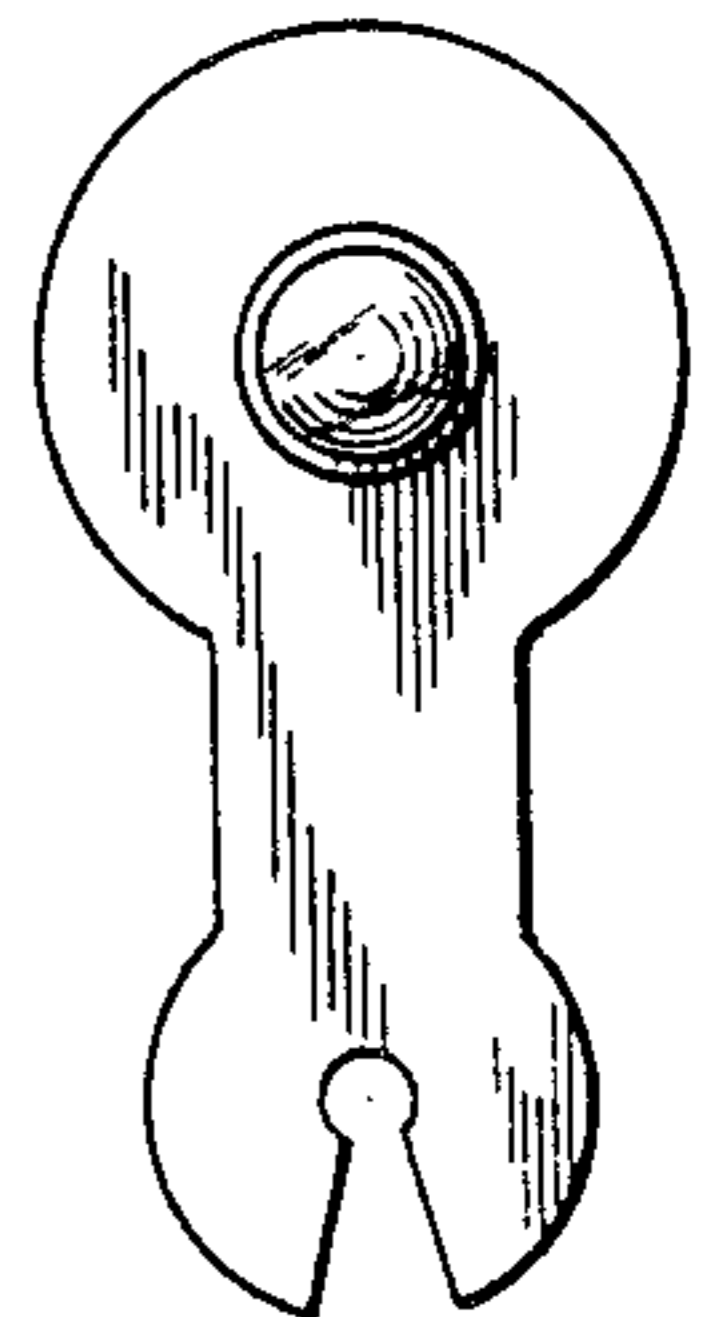
**FIG-5**



**FIG-3**



**FIG-4**



**FIG-6**

