

[54] PEDAL EXERCISER

[75] Inventors: Margaret D. Schuring, Canton; Robert R. Schnabel, Jr., Navarre; Craig M. Saunders, Rocky River; George R. Adamczyk, Chagrin Falls, all of Ohio

[73] Assignee: Consumer Direct, Inc., Canton, Ohio

[**] Term: 14 Years

[21] Appl. No.: 215,909

[22] Filed: Jul. 6, 1988

[52] U.S. Cl. D21/194

[58] Field of Search D21/191-199; 272/73, 73.1, 70.1, 70.2, 70.3, 132; 73/379

[56] References Cited

U.S. PATENT DOCUMENTS

- D. 211,478 6/1968 Margolies D21/194
- D. 218,107 7/1970 Feather et al. D34/5
- D. 228,483 10/1973 Sebel D6/197
- D. 256,299 8/1980 MacCready D6/375
- D. 259,688 6/1981 Ambasz D6/197
- D. 279,947 8/1985 Ballarini D6/501
- D. 283,636 4/1986 Lepley D21/194

- D. 298,641 11/1988 Sheltra D21/194
- D. 299,669 1/1989 Harter D21/194
- D. 300,046 2/1989 Armstrong et al. D21/194
- D. 300,047 2/1989 Sheltra D21/194
- 4,589,656 5/1986 Baldwin 272/73
- 4,717,146 1/1988 Nohara 272/73

OTHER PUBLICATIONS

Publication: Advertisement Entitled "Guide to Better Fitness".

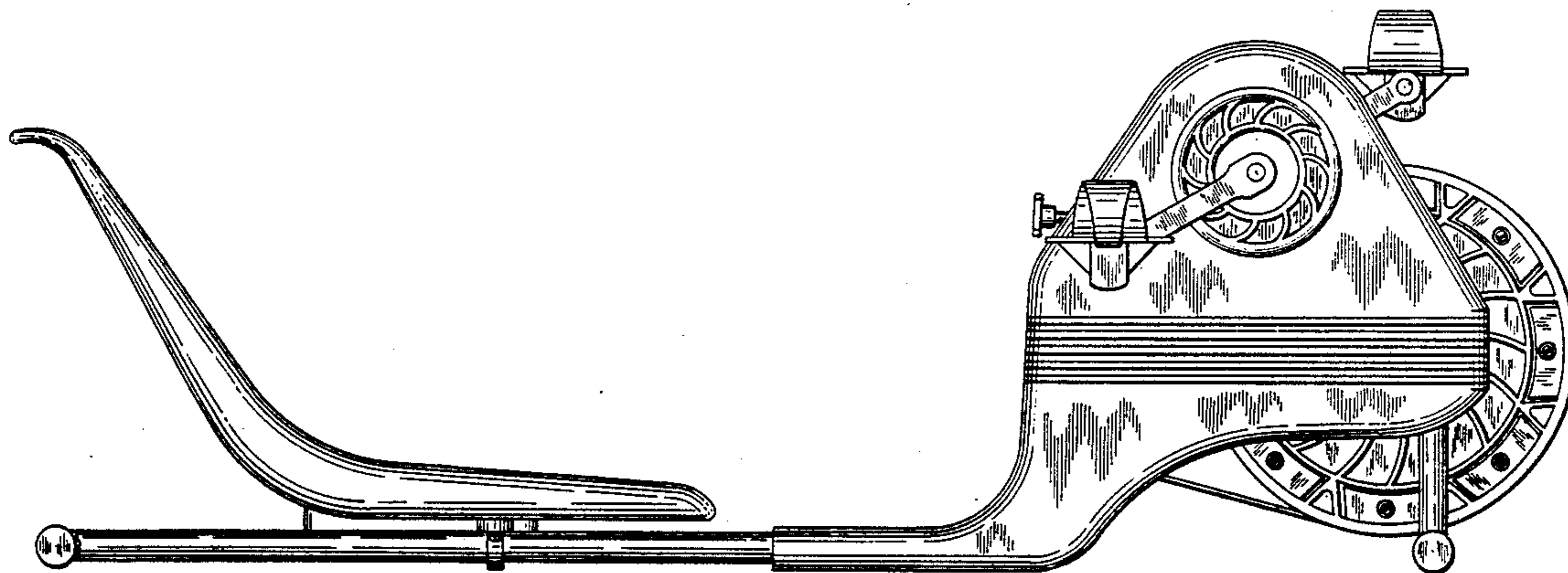
Primary Examiner—Charles A. Rademaker
Attorney, Agent, or Firm—Michael Sand Co.

[57] CLAIM

The ornamental design for a pedal exerciser, as shown and described.

DESCRIPTION

FIG. 1 is a top plan view of a pedal exerciser showing our new design;
FIG. 2 is a side elevational view thereof;
FIG. 3 is a bottom plan view thereof;
FIG. 4 is a front elevational view thereof; and
FIG. 5 is a rear elevational view thereof.
The opposite side elevational view is a mirror image of what is shown in FIG. 2;



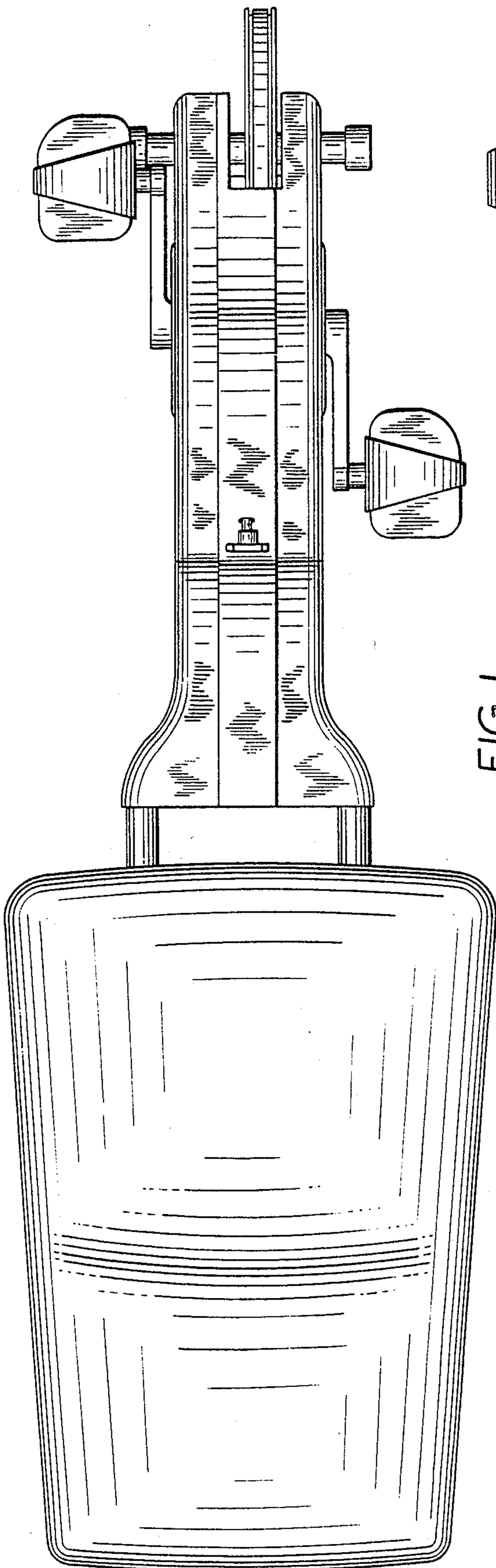


FIG. 1

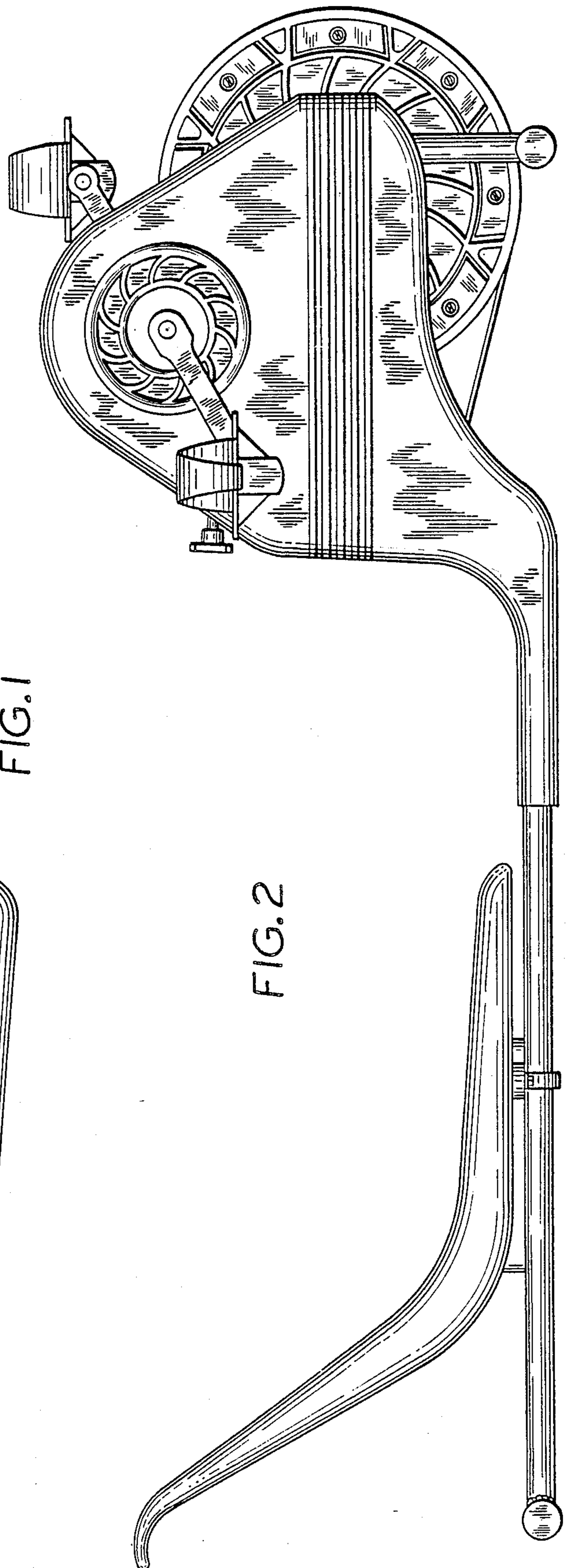


FIG. 2

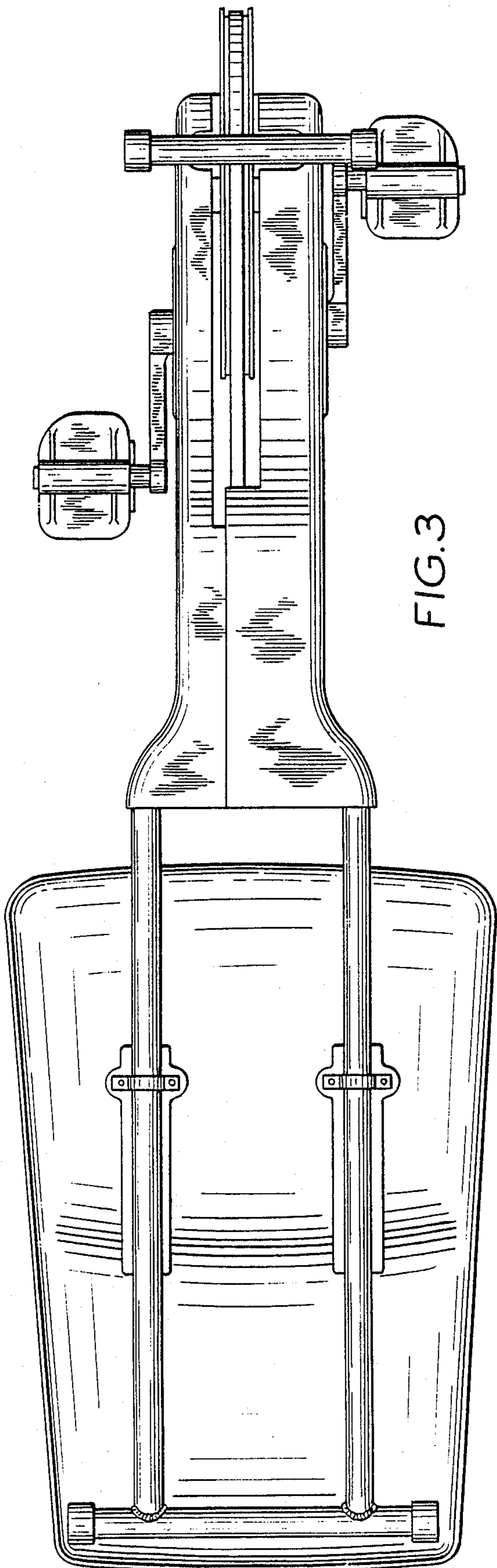


FIG. 3

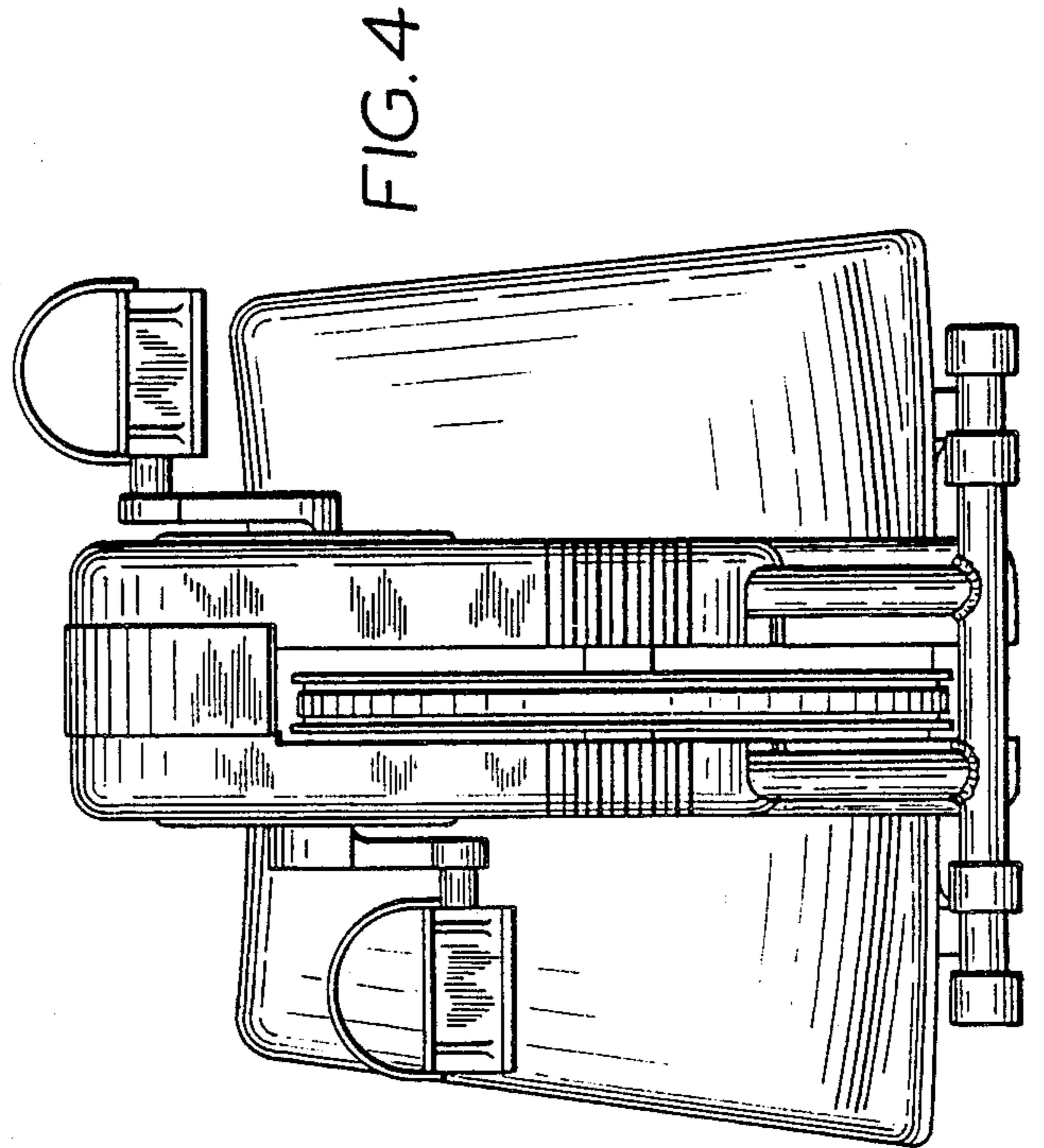


FIG. 4

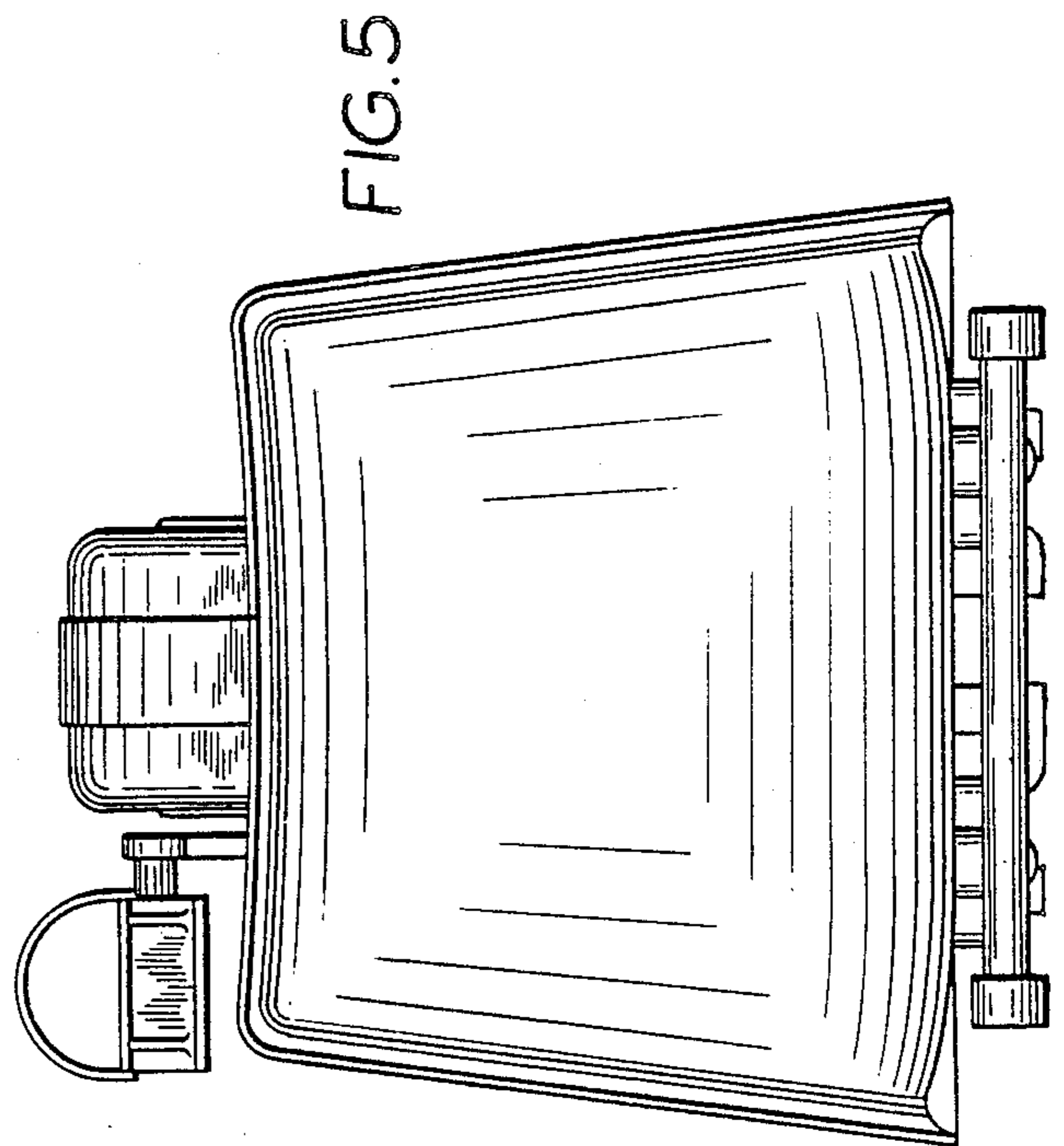


FIG. 5