

[54] **COMBINED ELEPHANT TOY FIGURE AND BOTTLE HOLDER**

[76] **Inventor: John R. Roberts, 2129 Ski Lodge, Montgomery, Ala. 36117**

[\*\*] **Term: 14 Years**

[21] **Appl. No.: 939,016**

[22] **Filed: Dec. 8, 1986**

[52] **U.S. Cl. .... D21/162; D24/48**

[58] **Field of Search ..... D21/162; D24/48, 47, D24/46; 248/102-106**

[56] **References Cited**

**U.S. PATENT DOCUMENTS**

- D. 75,289 5/1928 Roys ..... D21/162
- D. 145,611 9/1946 Butterfield ..... D24/48
- D. 153,937 5/1949 Graboi ..... D24/48
- D. 176,092 11/1955 Allen ..... D24/48

D. 287,636 1/1987 Callju ..... D21/159

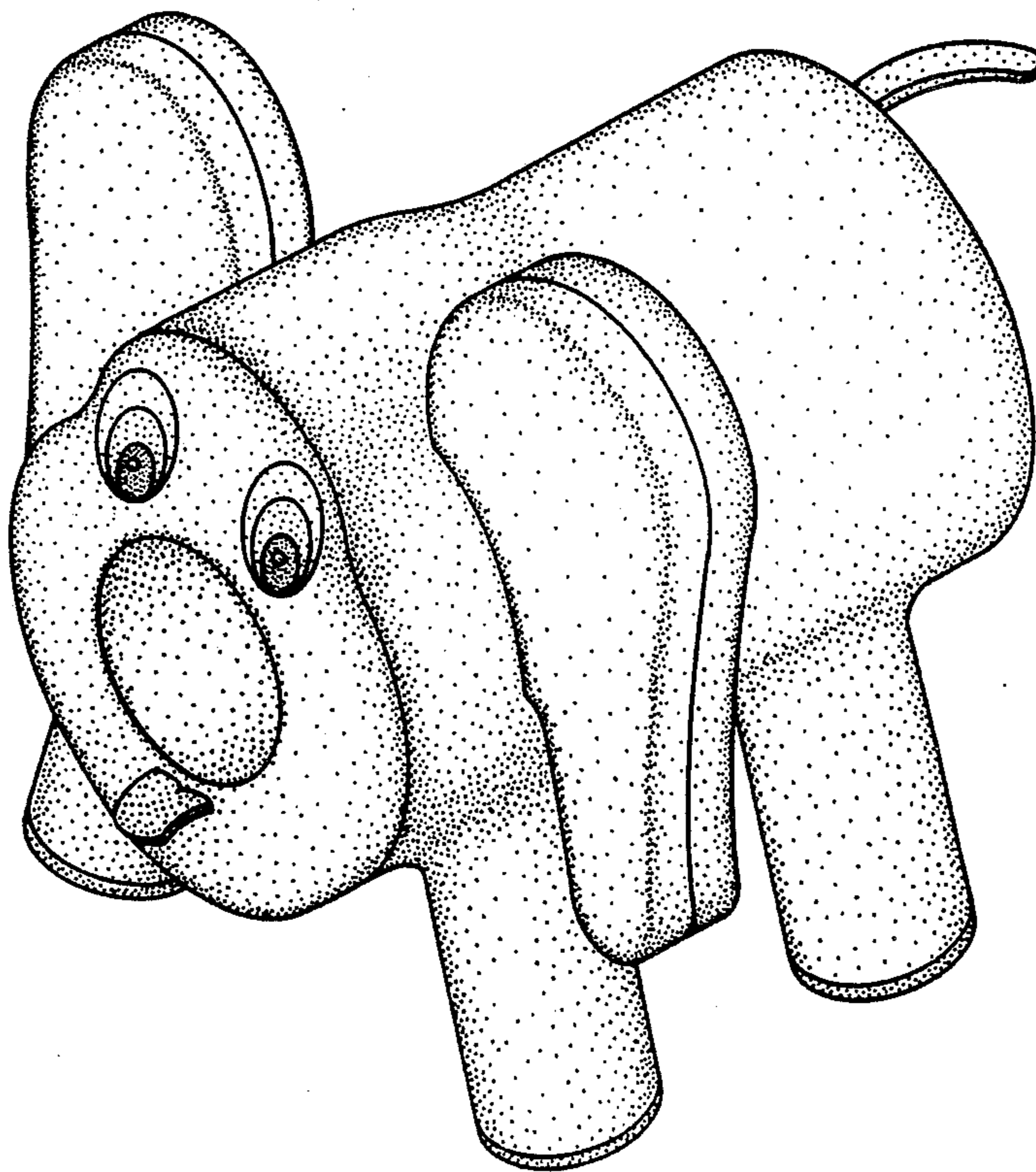
*Primary Examiner*—Melvin B. Feifer  
*Attorney, Agent, or Firm*—Jennings, Carter, Thompson & Veal

[57] **CLAIM**

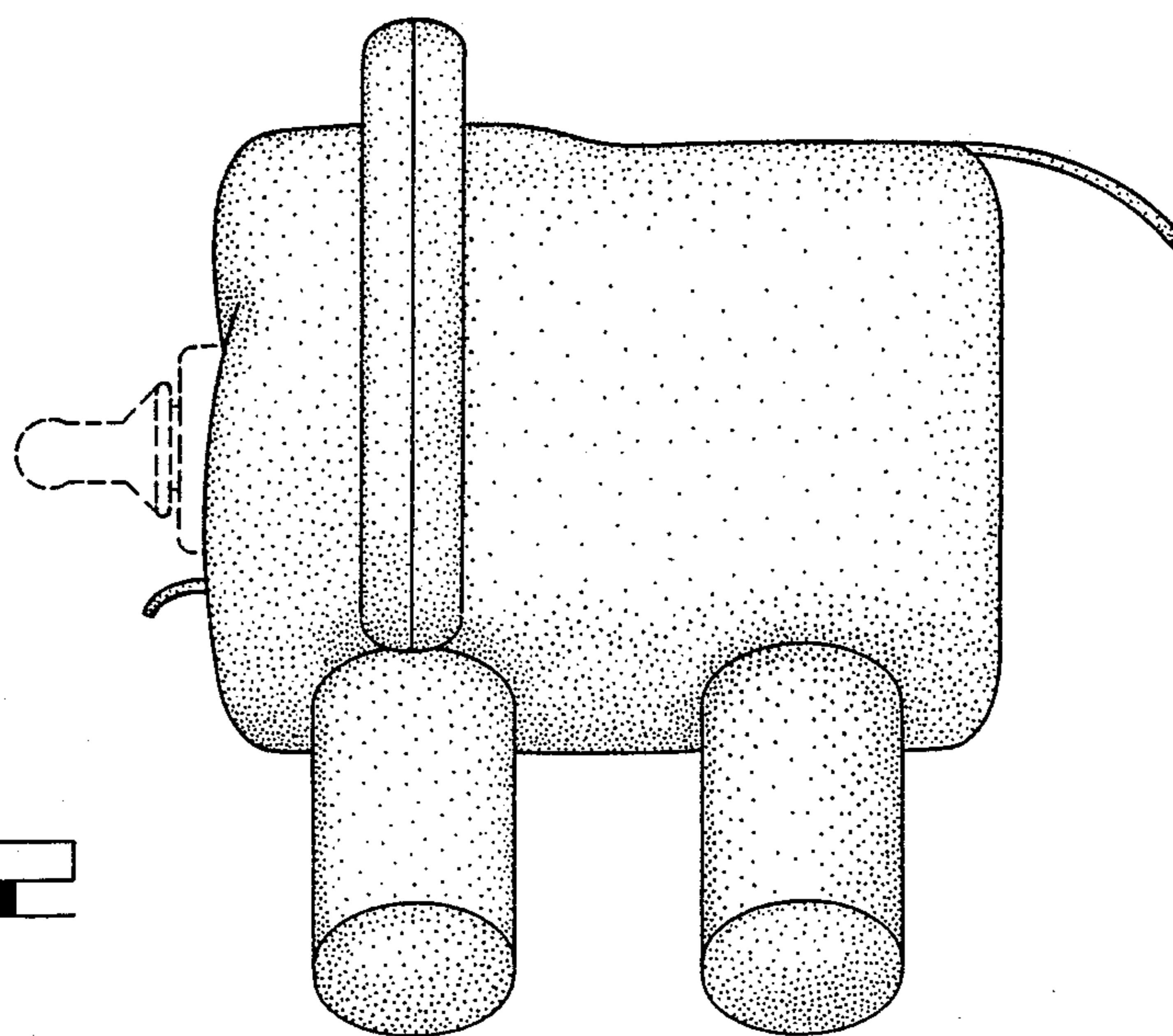
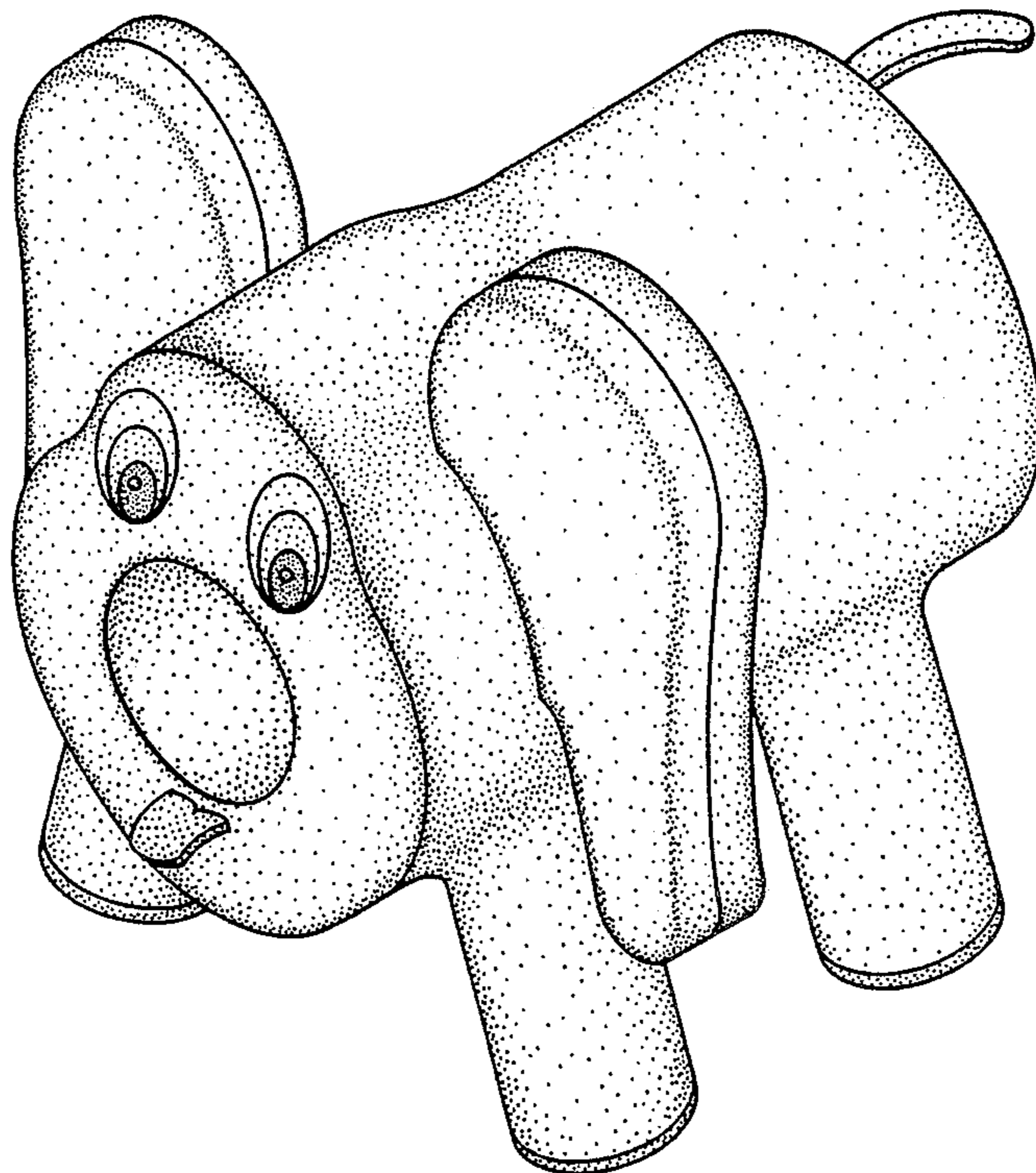
The ornamental design for a combined elephant toy figure and bottle holder, as shown and described.

**DESCRIPTION**

FIG. 1 is a perspective view of a combined elephant toy figure and bottle holder showing my new design;  
 FIG. 2 is a side elevational view showing a portion of a bottle in broken lines, to illustrate environmental structure, the side not shown being a mirror image of the side shown;  
 FIG. 3 is a front elevational view thereof;  
 FIG. 4 is a rear elevational view thereof;  
 FIG. 5 is a top plan view thereof; and  
 FIG. 6 is a bottom plan view thereof.

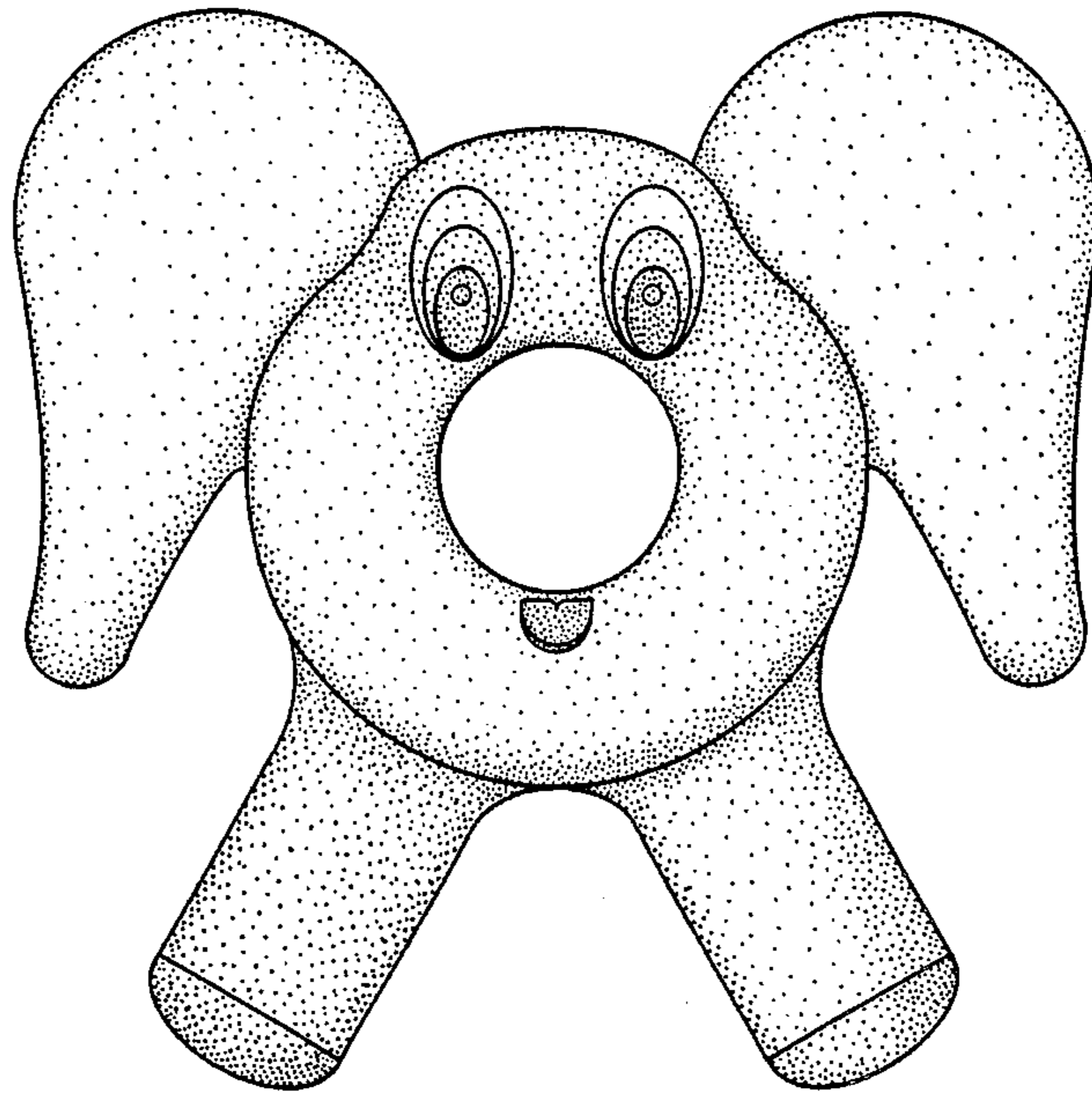


**FIG. 1**

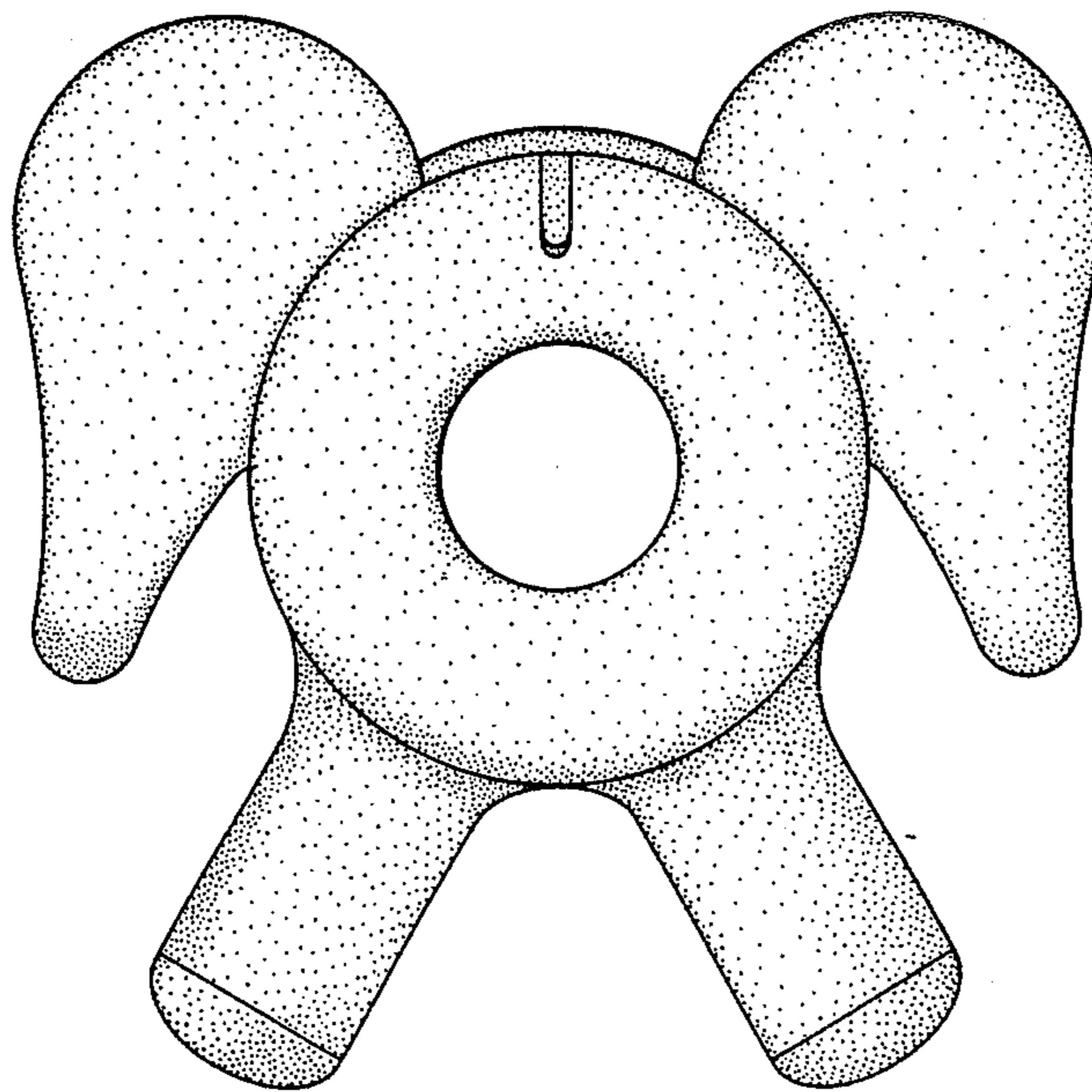


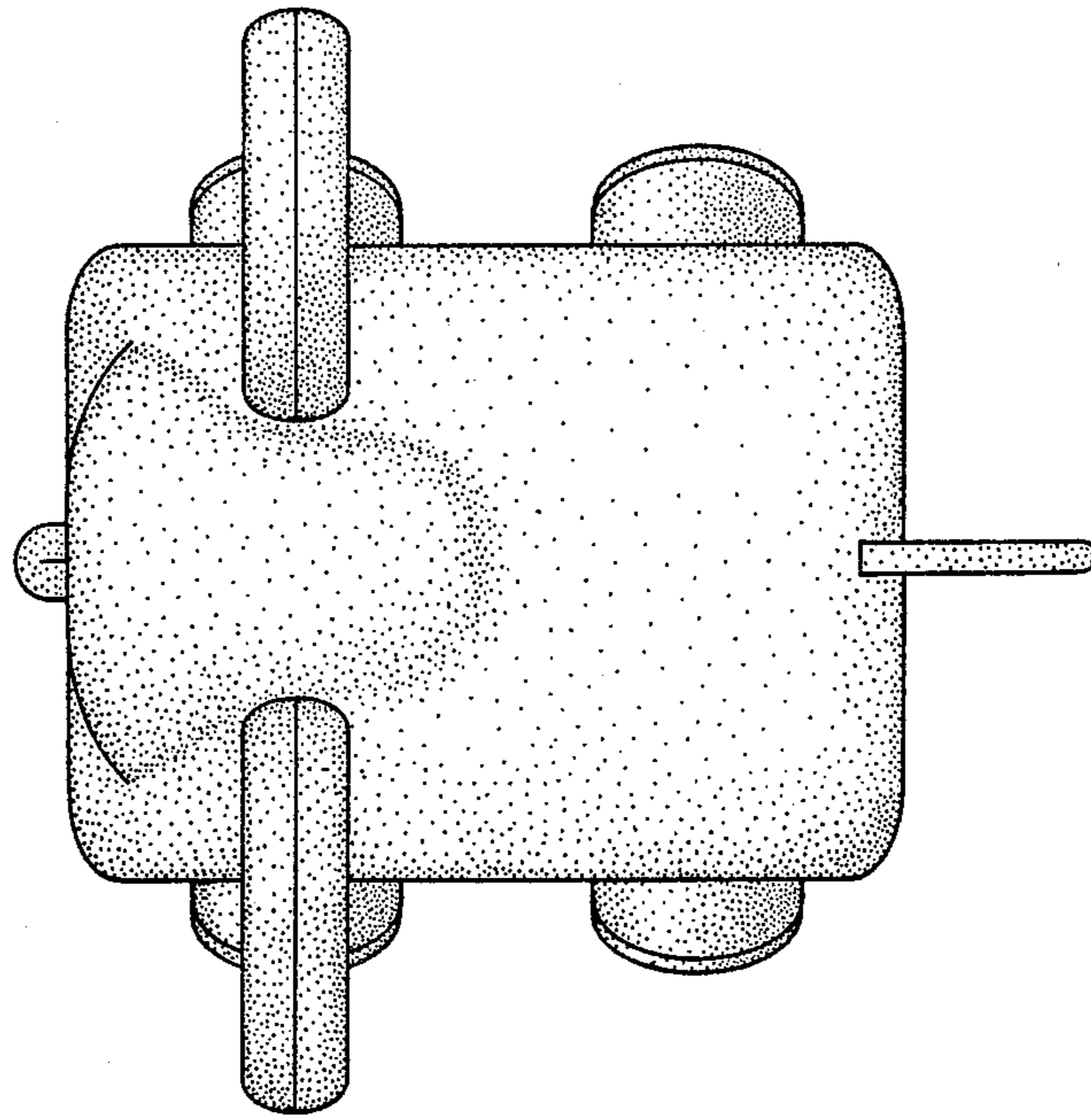
**FIG. 2**

**FIG. 3**

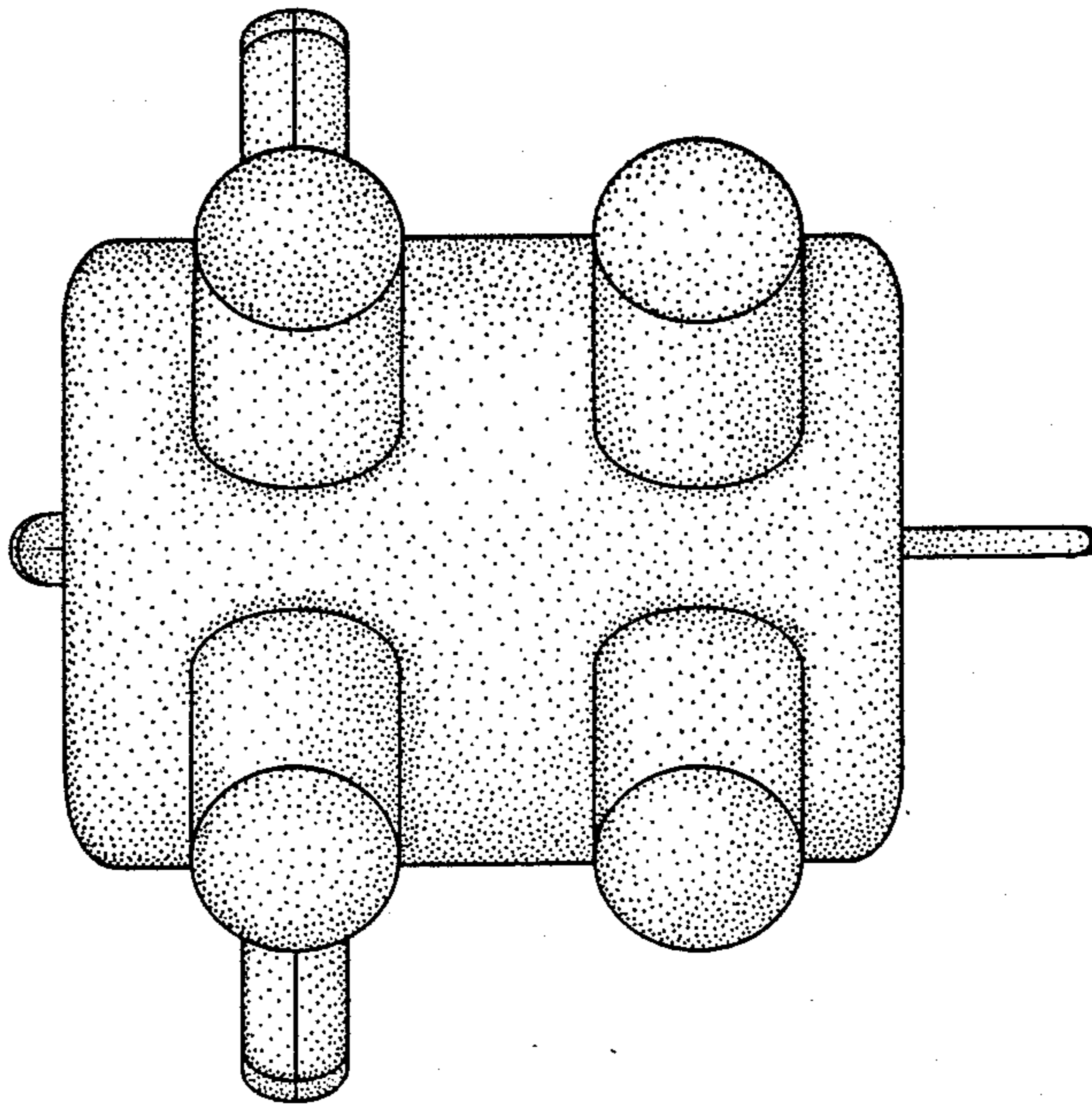


**FIG. 4**





**FIG. 5**



**FIG. 6**