

[54] **STARTING GATE MARBLE RACE TOY**
 [75] **Inventor: Daniel B. Klitsner, San Francisco, Calif.**
 [73] **Assignee: Discovery Toys, Inc., Martinez, Calif.**
 [**] **Term: 14 Years**
 [21] **Appl. No.: 214,268**
 [22] **Filed: Jul. 1, 1988**
 [52] **U.S. Cl. D21/143; D21/59**
 [58] **Field of Search D21/7, 8, 59, 143; 273/153 R, 156; 446/168**

3,818,628 6/1974 Ensmann et al. 446/168
 3,883,137 5/1975 Bengtson 446/168
 4,713,038 12/1987 Wichman et al. .

FOREIGN PATENT DOCUMENTS

341120 7/1904 France .

Primary Examiner—Charles A. Rademaker
Assistant Examiner—Alicia A. Farrell
Attorney, Agent, or Firm—Townsend and Townsend

[57] **CLAIM**

The ornamental design for a starting gate marble race toy, as shown and described.

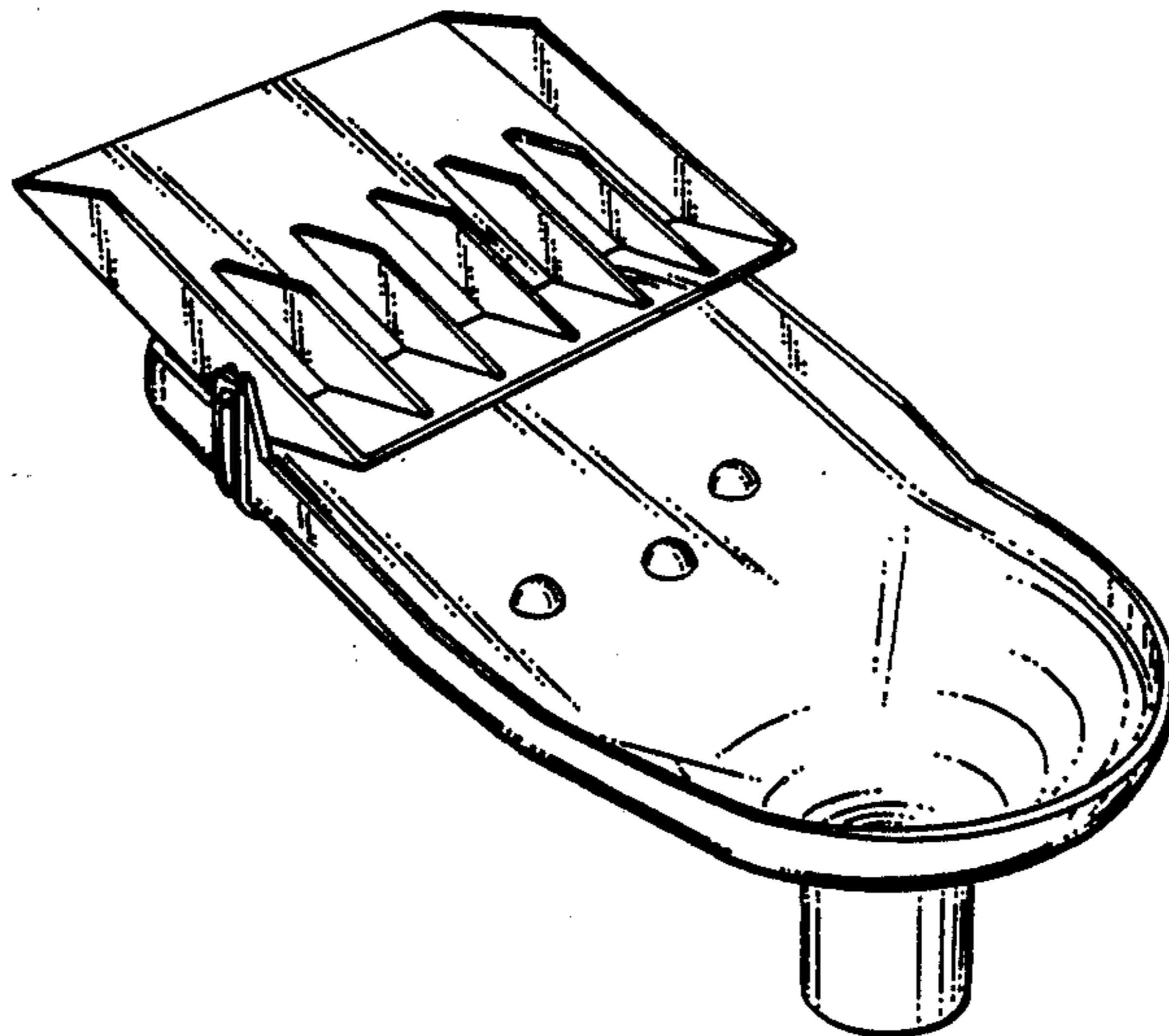
DESCRIPTION

FIG. 1 is a perspective view of a starting gate marble race toy showing my new design;
 FIG. 2 is a top plan view thereof;
 FIG. 3 is a front elevational view thereof;
 FIG. 4 is a right side elevational view thereof, the left side elevational view being a mirror image;
 FIG. 5 is a rear elevational view thereof; and
 FIG. 6 is a bottom plan view thereof.

[56] **References Cited**

U.S. PATENT DOCUMENTS

D. 290,028	5/1987	Wichman	D21/59
2,543,380	2/1951	Rivers	446/168
2,726,869	12/1955	Schulte	446/168
3,379,440	4/1968	Jaffe	.	
3,451,678	6/1969	Gehrts	446/168
3,502,332	3/1970	Wolf	446/168



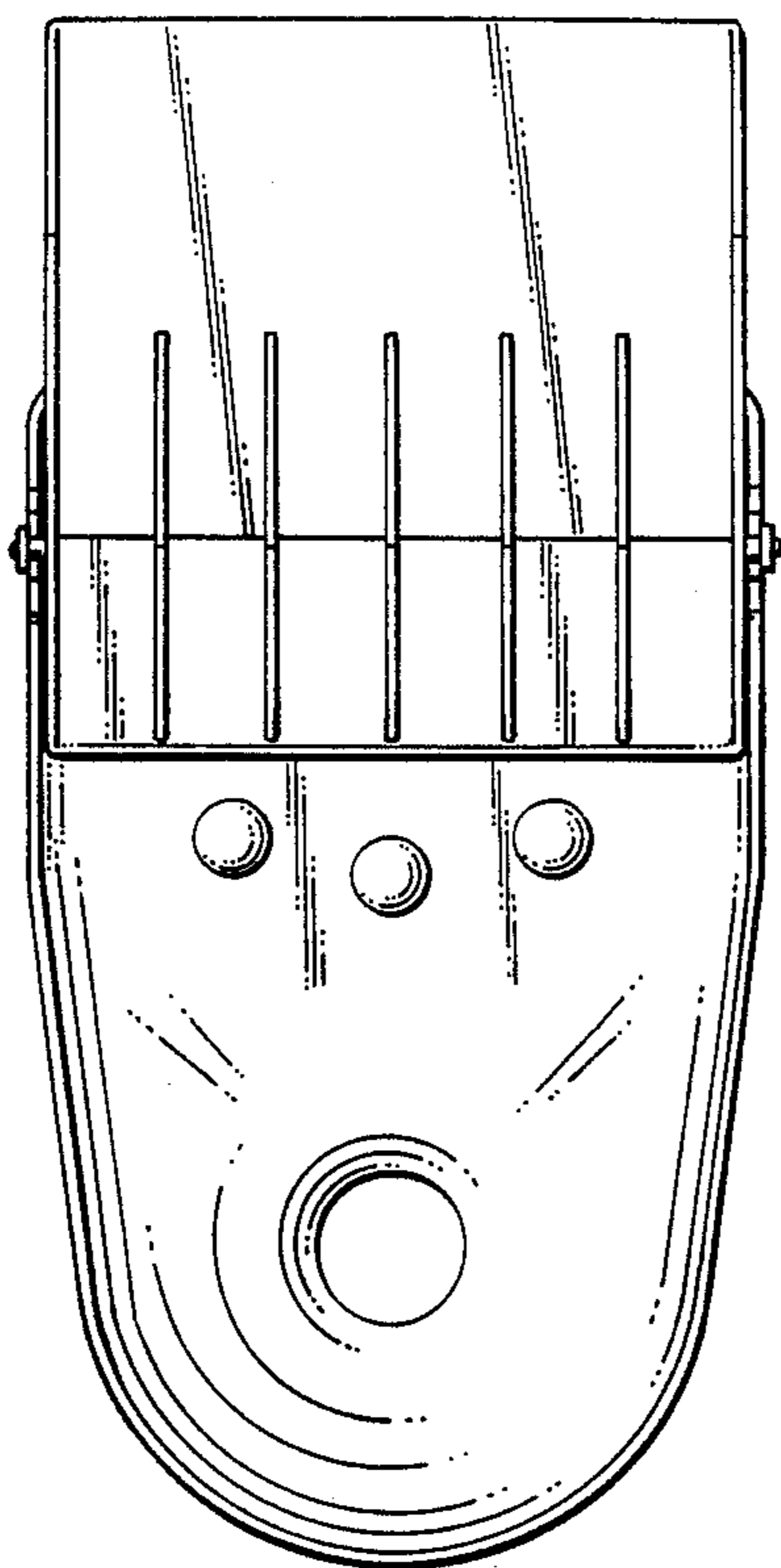


FIG. 2.

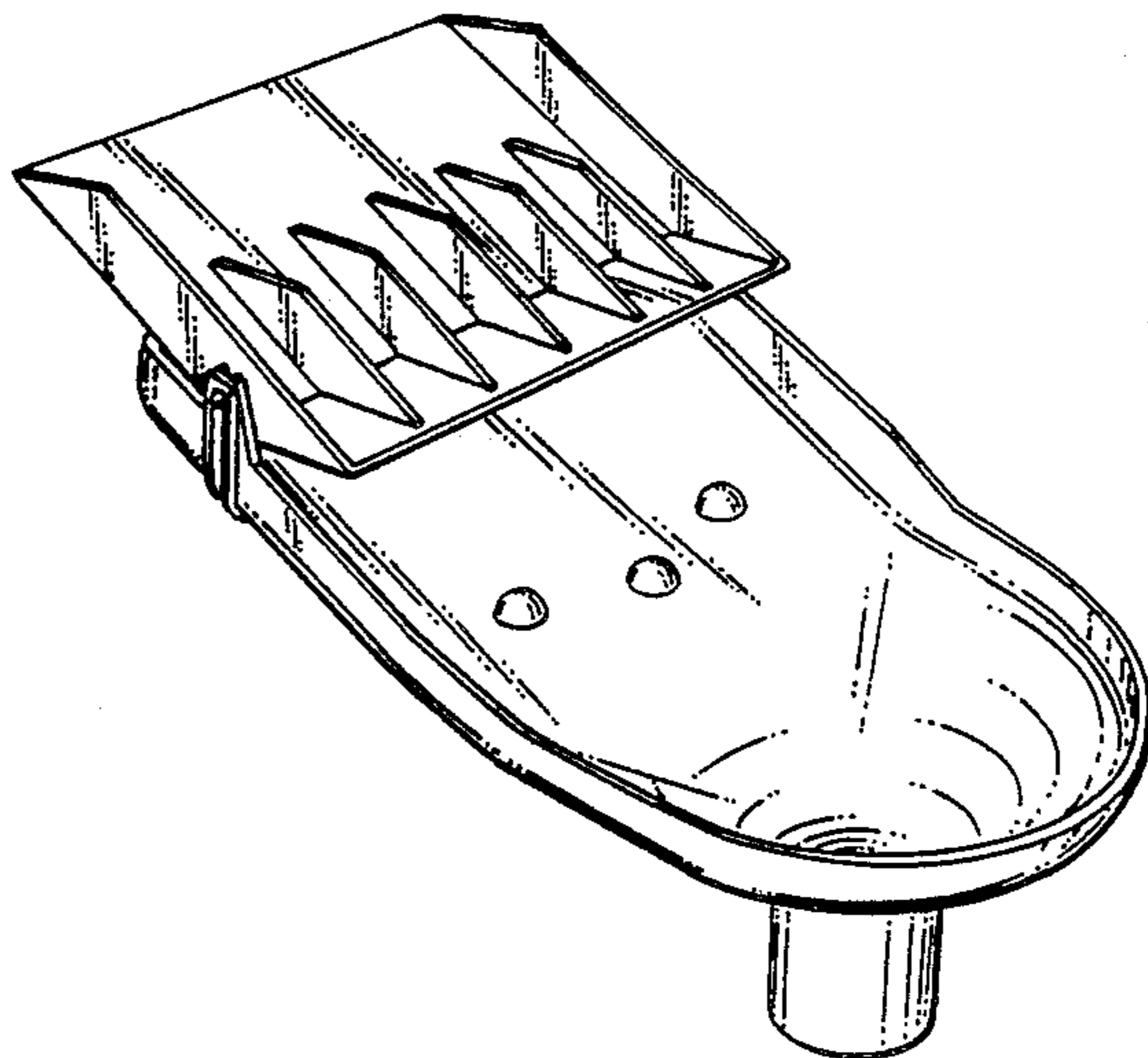


FIG. 1.

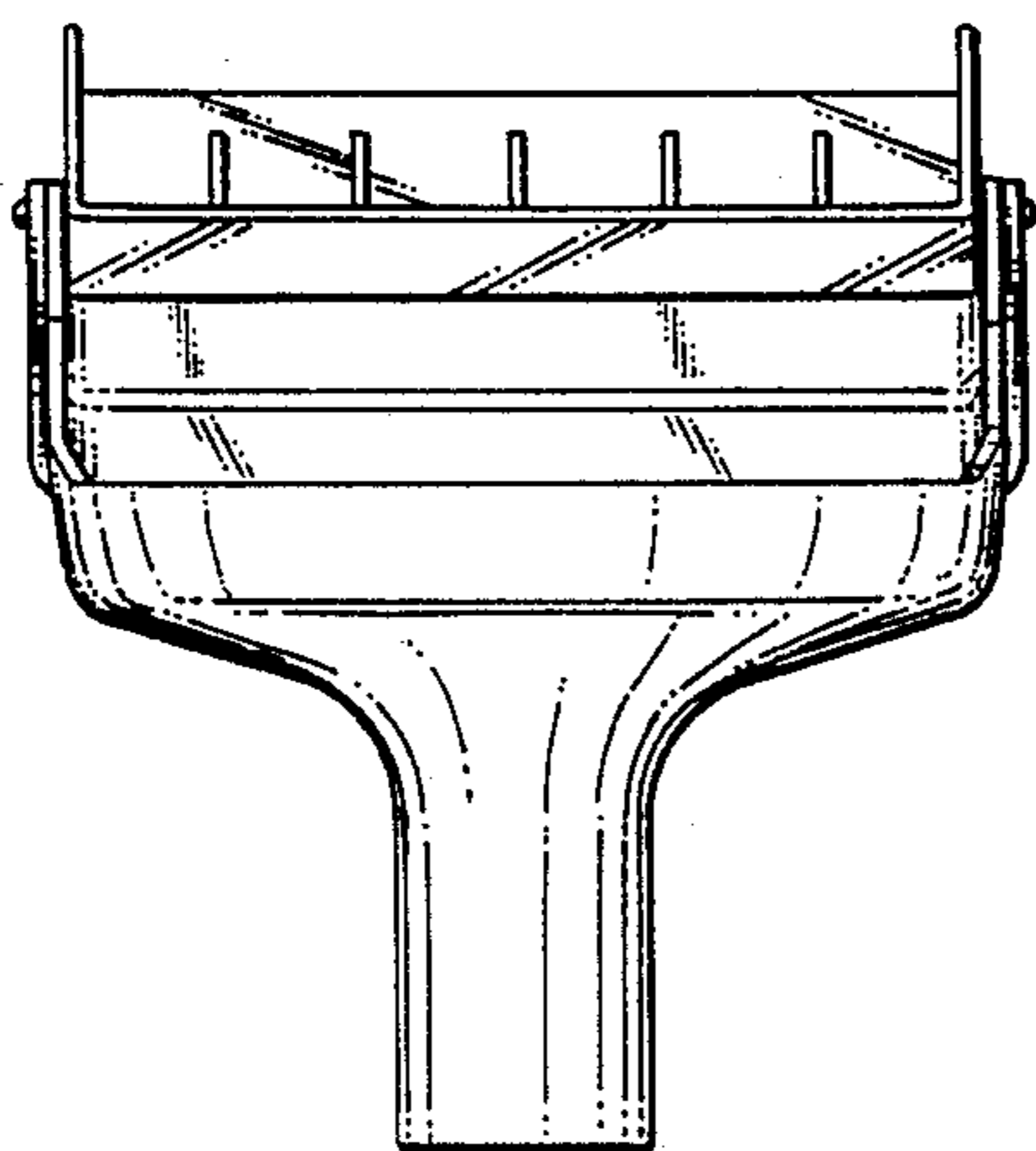


FIG. 3.

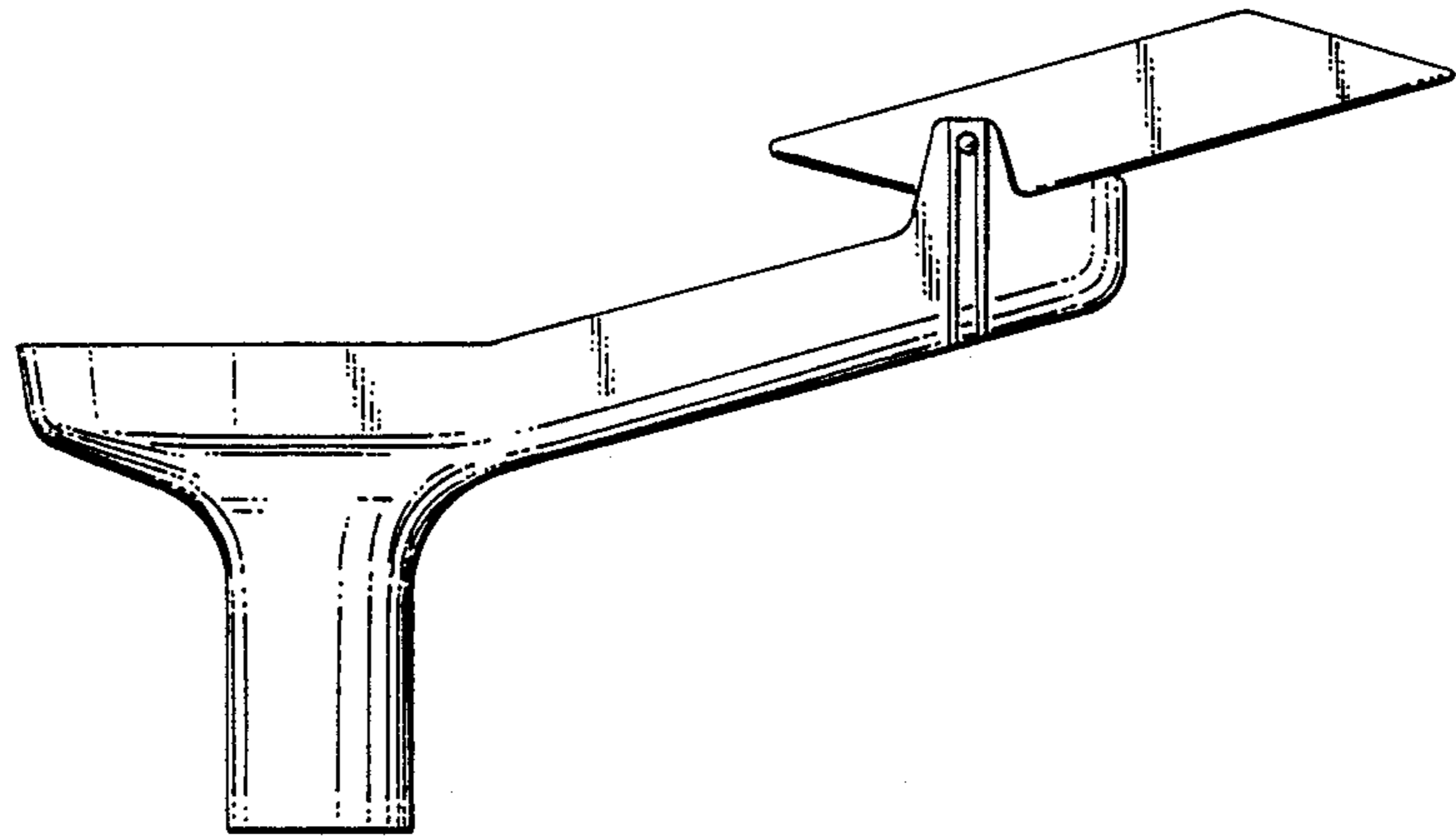


FIG. 4.

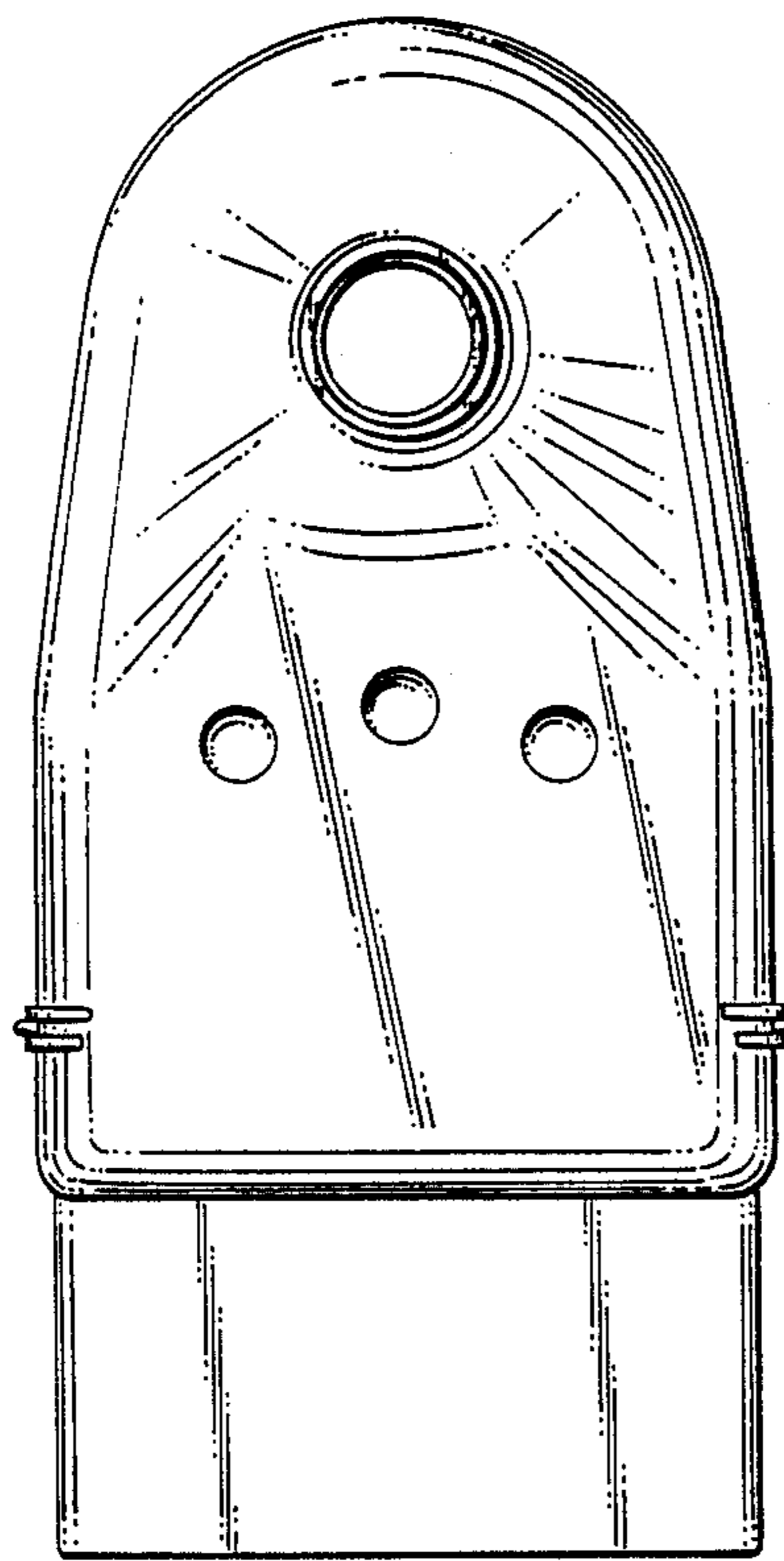


FIG. 6.

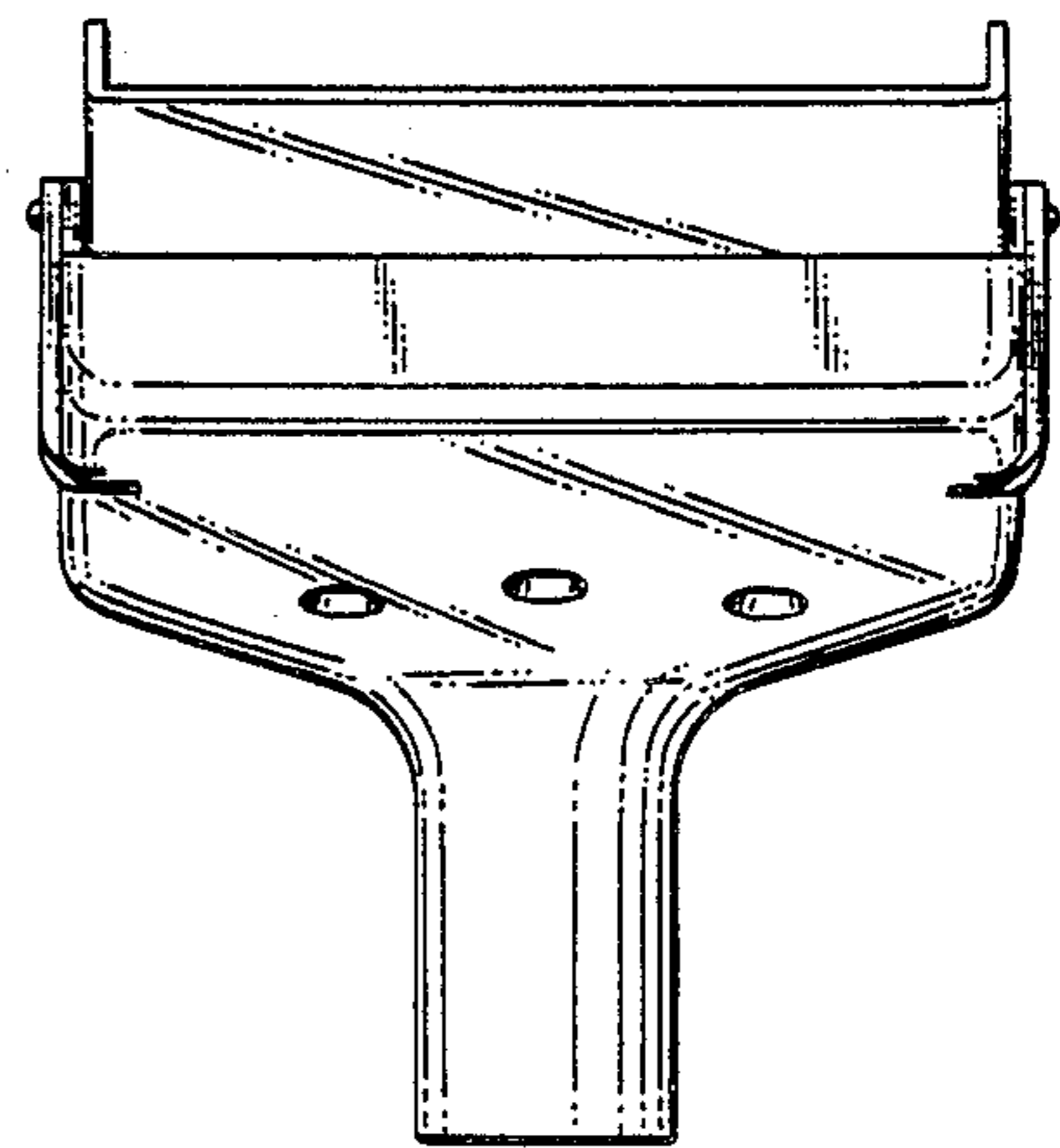


FIG. 5.