

# United States Patent [19]

Berg et al.

[11] Patent Number: **Des. 305,336**

[45] Date of Patent: **\*\* Jan. 2, 1990**

[54] **LAWN MOWER HOUSING**

[75] Inventors: **Ake Berg; Sören Palmér; Sören Johansson**, all of **Tranas, Sweden**

[73] Assignee: **Stiga AB, Tranas, Sweden**

[\*\*] Term: **14 Years**

[21] Appl. No.: **936,555**

[22] Filed: **Dec. 1, 1986**

[30] **Foreign Application Priority Data**

May 30, 1986 [SE] Sweden ..... 86-1322

[52] U.S. Cl. .... **D15/14**

[58] Field of Search ..... D15/10, 14, 16-18;  
56/16.7, 16.8, 16.9, 17.2, 17.4-17.6, 256, 320.1,  
320.2

[56] **References Cited**

**U.S. PATENT DOCUMENTS**

D. 179,724	2/1957	Goodall .....	D15/17
D. 188,907	9/1960	Egloff et al. ....	D15/17
D. 215,013	8/1969	Holm .....	D15/14
D. 218,767	9/1970	Hess .....	D15/17
D. 296,105	6/1988	Hosonuma .....	D15/17

*Primary Examiner*—Bruce W. Dunkins  
*Assistant Examiner*—Ruth Takemoto  
*Attorney, Agent, or Firm*—Beveridge, DeGrandi & Weilacher

[57] **CLAIM**

The ornamental design for a lawn mower housing, as shown.

**DESCRIPTION**

FIG. 1 is a top, rear and side perspective view of a lawn mower housing showing our new design;  
FIG. 2 is a top, front and side perspective view thereof;  
FIG. 3 is a top plan view thereof; and  
FIG. 4 is a bottom plan view thereof.

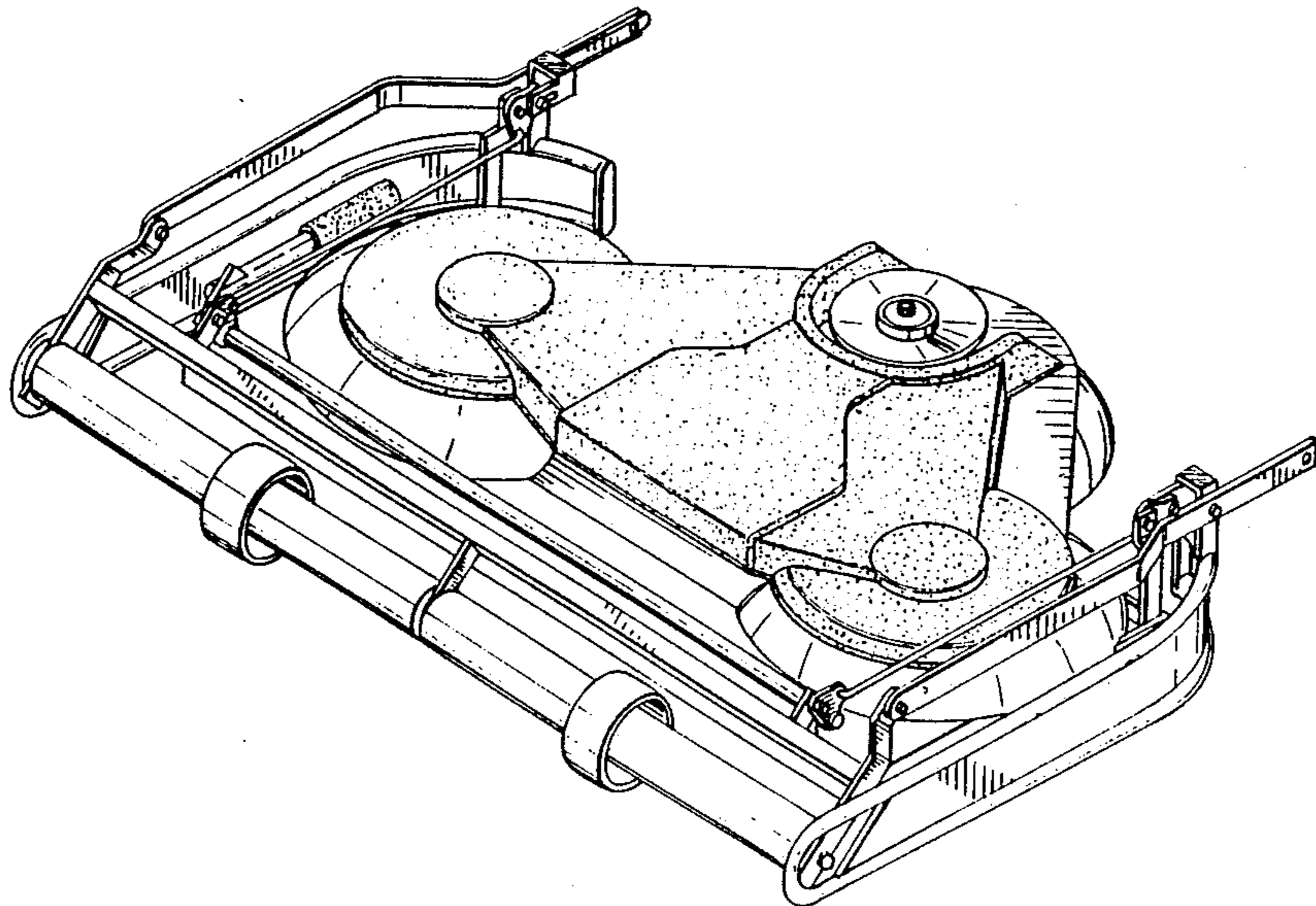


FIG. 1

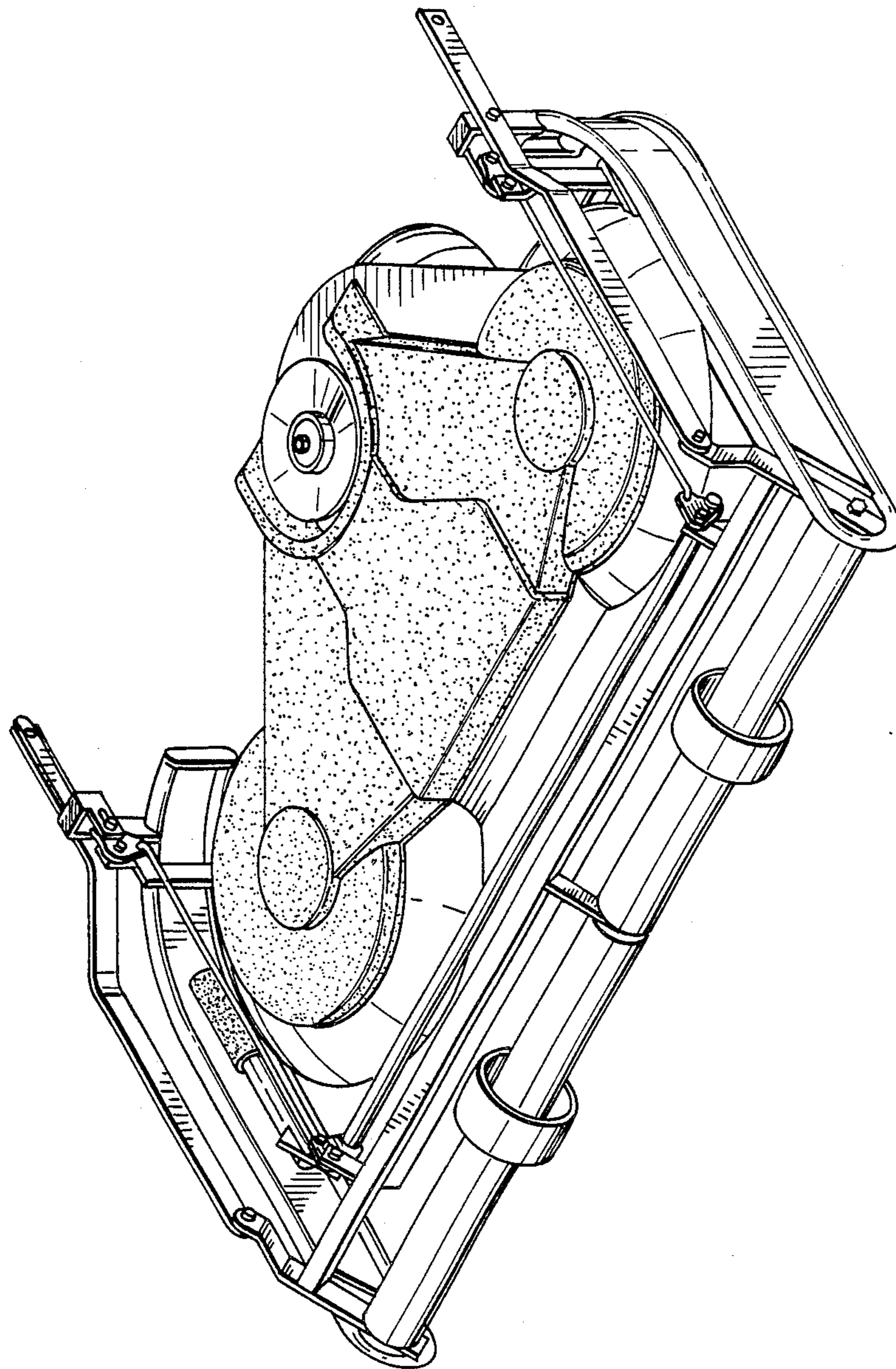




FIG. 2

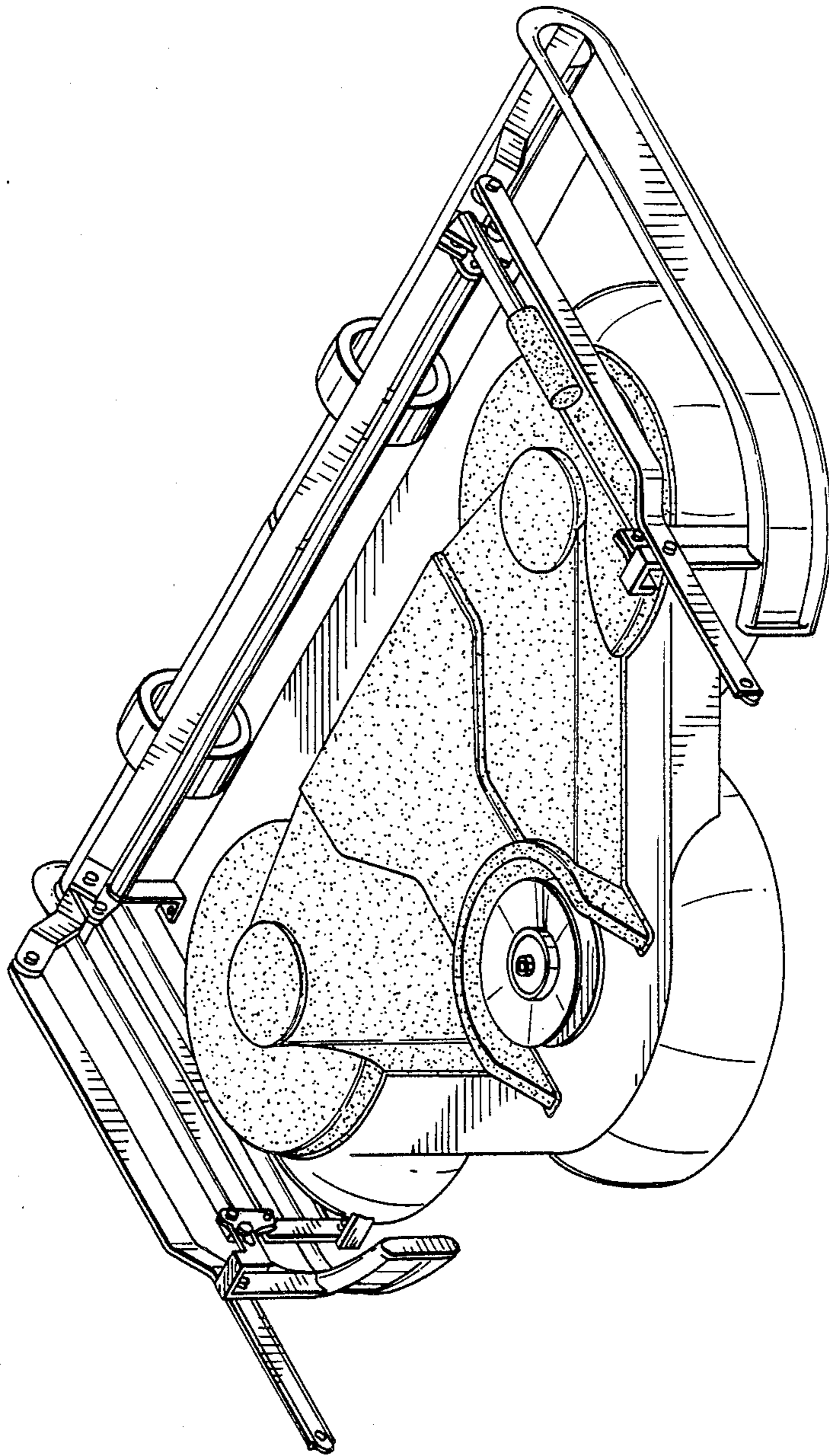


FIG. 3

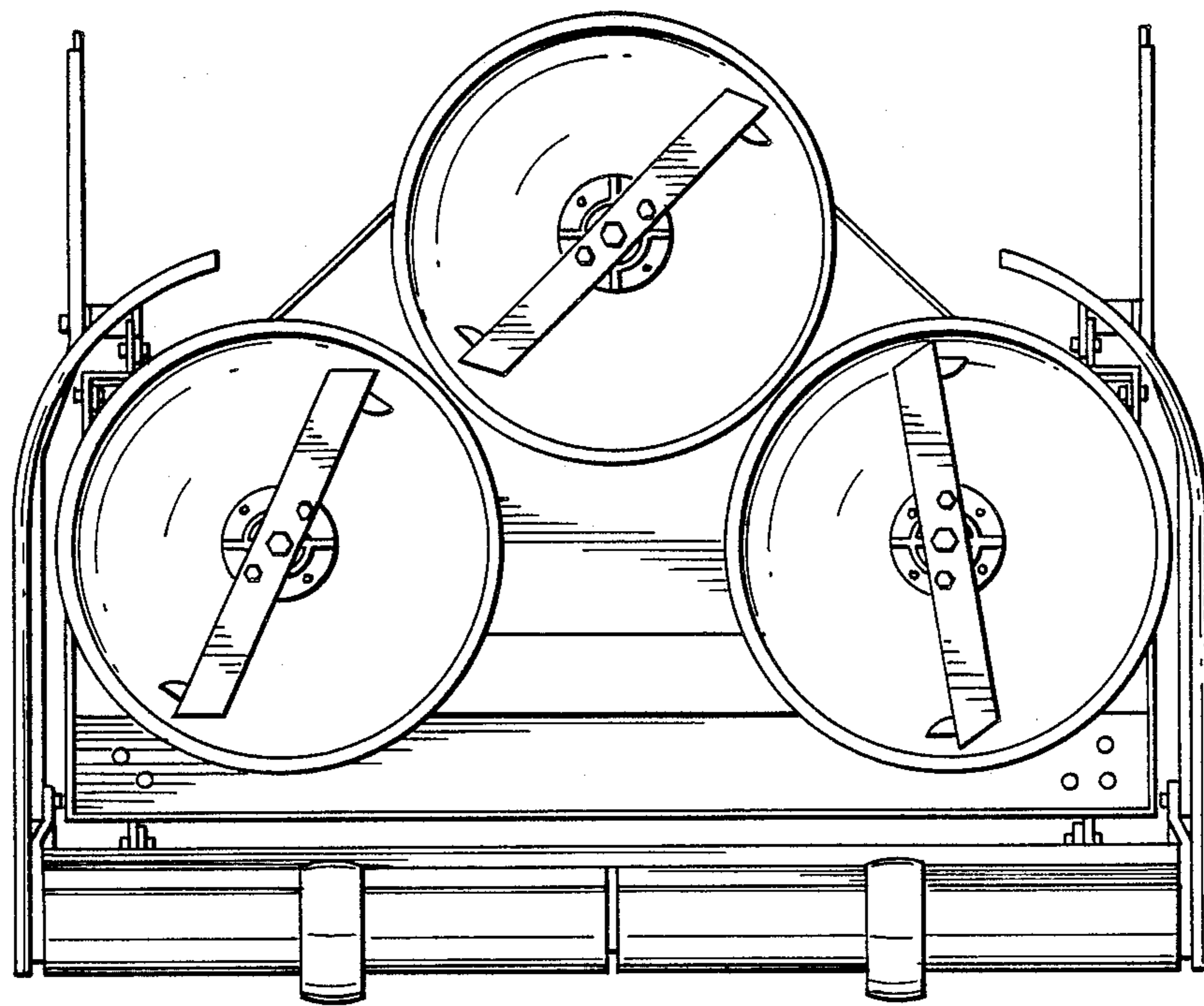
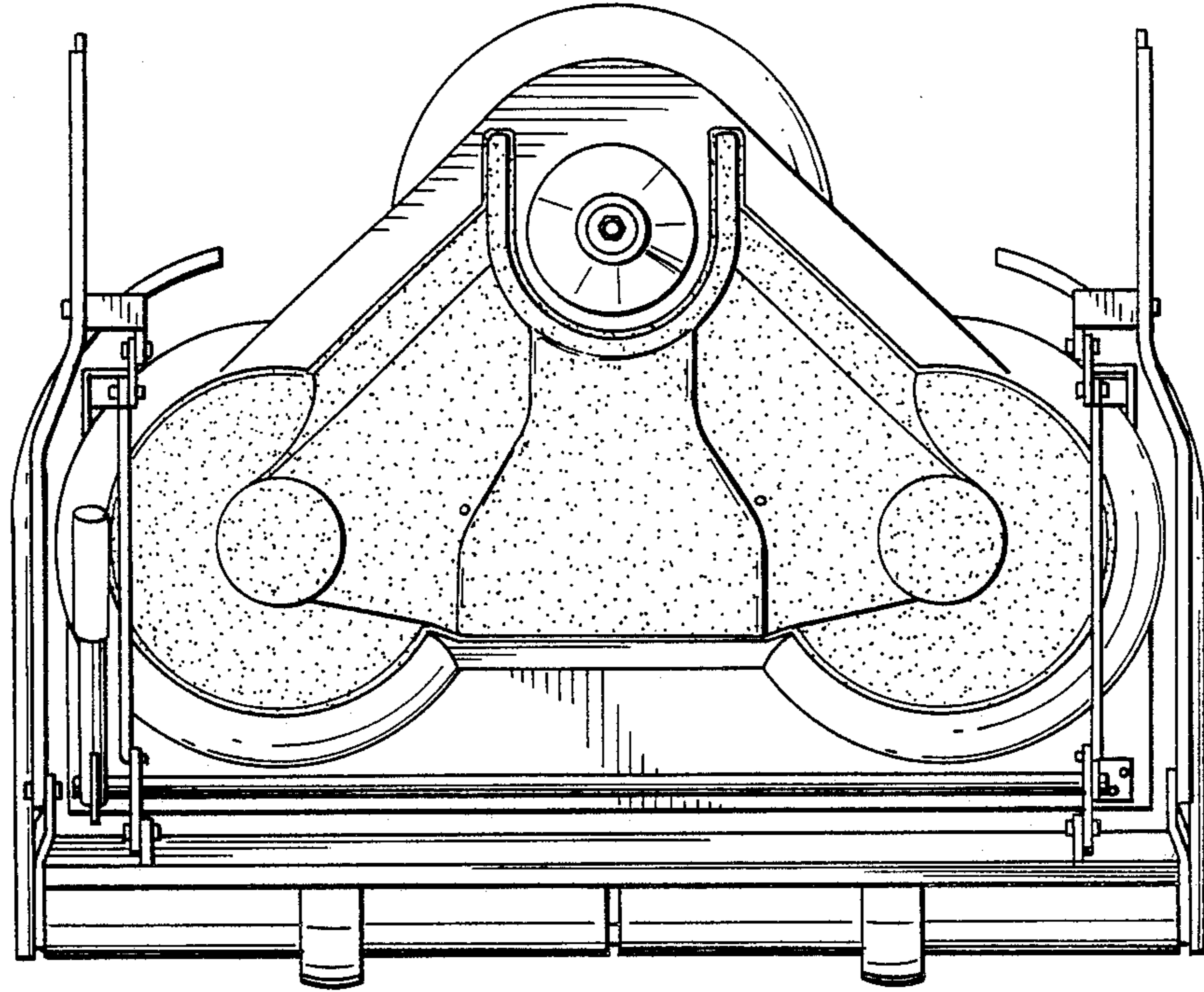


FIG. 4