

United States Patent [19]

Walters, II et al.

[11] Patent Number: **Des. 305,330**

[45] Date of Patent: **** Jan. 2, 1990**

[54] **PERSONAL COMPUTER STAND**

[75] Inventors: **Charles F. Walters, II; Stephen M. Myers, both of Houston, Tex.**

[73] Assignee: **Compaq Computer Corporation, Houston, Tex.**

[**] Term: **14 Years**

[21] Appl. No.: **944,597**

[22] Filed: **Dec. 19, 1986**

[52] U.S. Cl. **D14/114**

[58] Field of Search **D14/100, 102, 106, 107, D14/108, 109, 114; D18/1, 2, 6, 7, 11, 12, 13; 340/700, 706, 711, 712; 341/22, 23; 364/706-710, 130, 144, 189; 312/208; 358/248, 249, 254; 248/346, 349, 371, 395, 178, 179, 183, 184, 186, 188.2, 157, 158, 663, 664**

[56] **References Cited**

U.S. PATENT DOCUMENTS

D. 276,612 12/1984 **McVicker et al.** **D14/114**
D. 280,822 10/1985 **Judd et al.** **D14/114**
D. 282,847 3/1986 **Hettinga** **D14/114**
D. 290,612 6/1987 **Choate et al.** **D14/114**
2,922,609 1/1960 **Collier** **248/179**

3,740,011 6/1973 **Dickson et al.** **248/183**
3,970,792 7/1976 **Benham et al.** **248/183 X**
4,095,770 6/1978 **Long** **248/371**

FOREIGN PATENT DOCUMENTS

149804 2/1953 **Australia** **248/664**

Primary Examiner—**Susan J. Lucas**
Assistant Examiner—**Freda Selma-Nunn**
Attorney, Agent, or Firm—**J. David Cabello; Christopher D. Keirs**

[57] **CLAIM**

The ornamental design for a personal computer stand, as shown and described.

DESCRIPTION

FIG. 1 is a top, front, right side perspective view of the personal computer stand showing our new design; **FIG. 2** is a left side elevational view thereof; **FIG. 3** is a right side elevational view thereof; **FIG. 4** is a front elevational view thereof; **FIG. 5** is a top plan view thereof; **FIG. 6** is a bottom plan view thereof; **FIG. 7** is a rear elevational view thereof. The stand is shown in the level position in **FIGS. 1, 2, 3, 4, 5 and 7.**

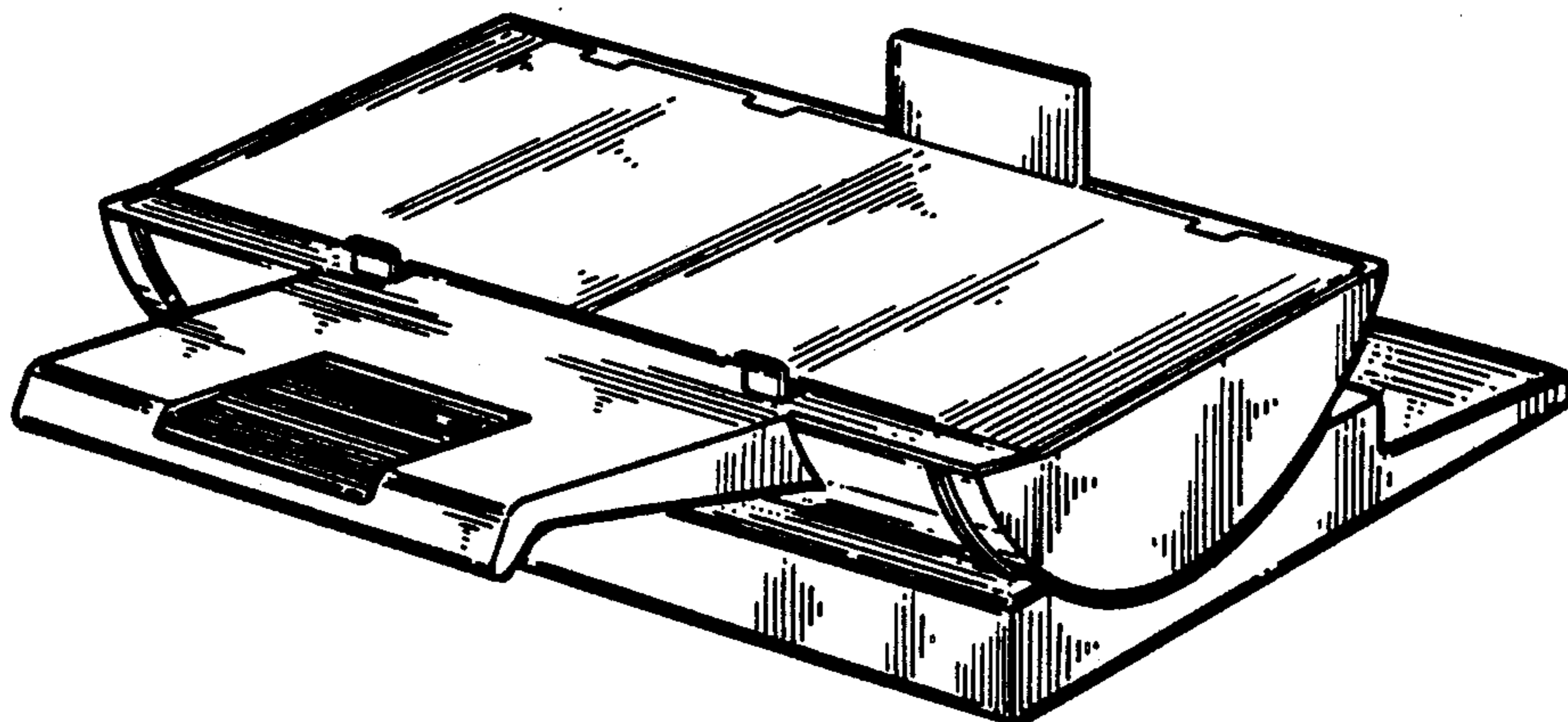


Fig. 1

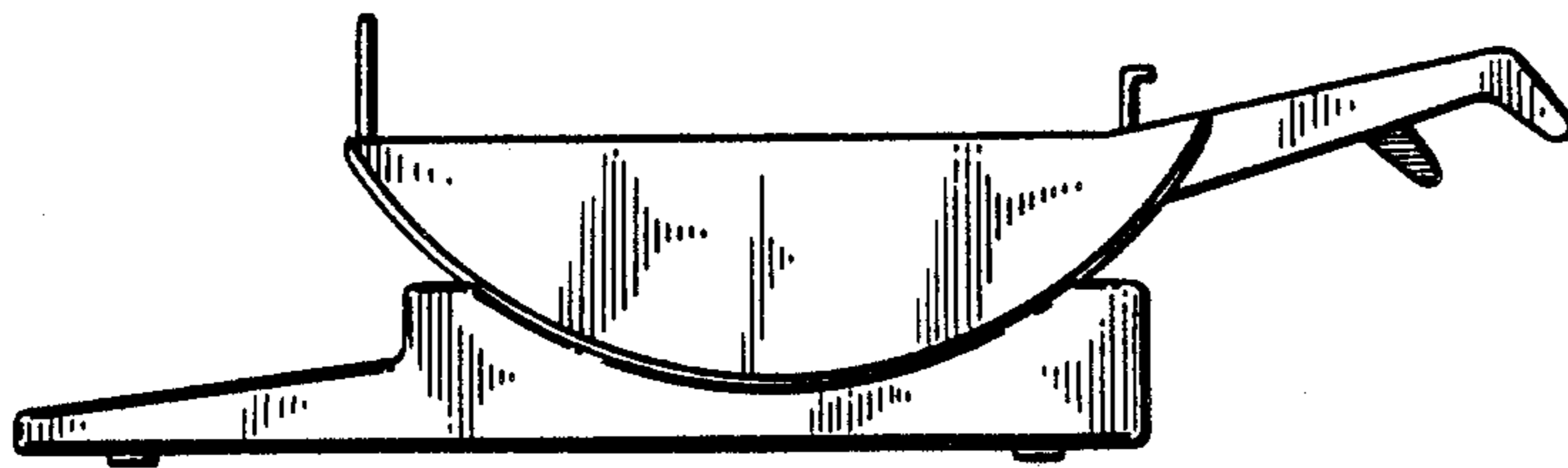
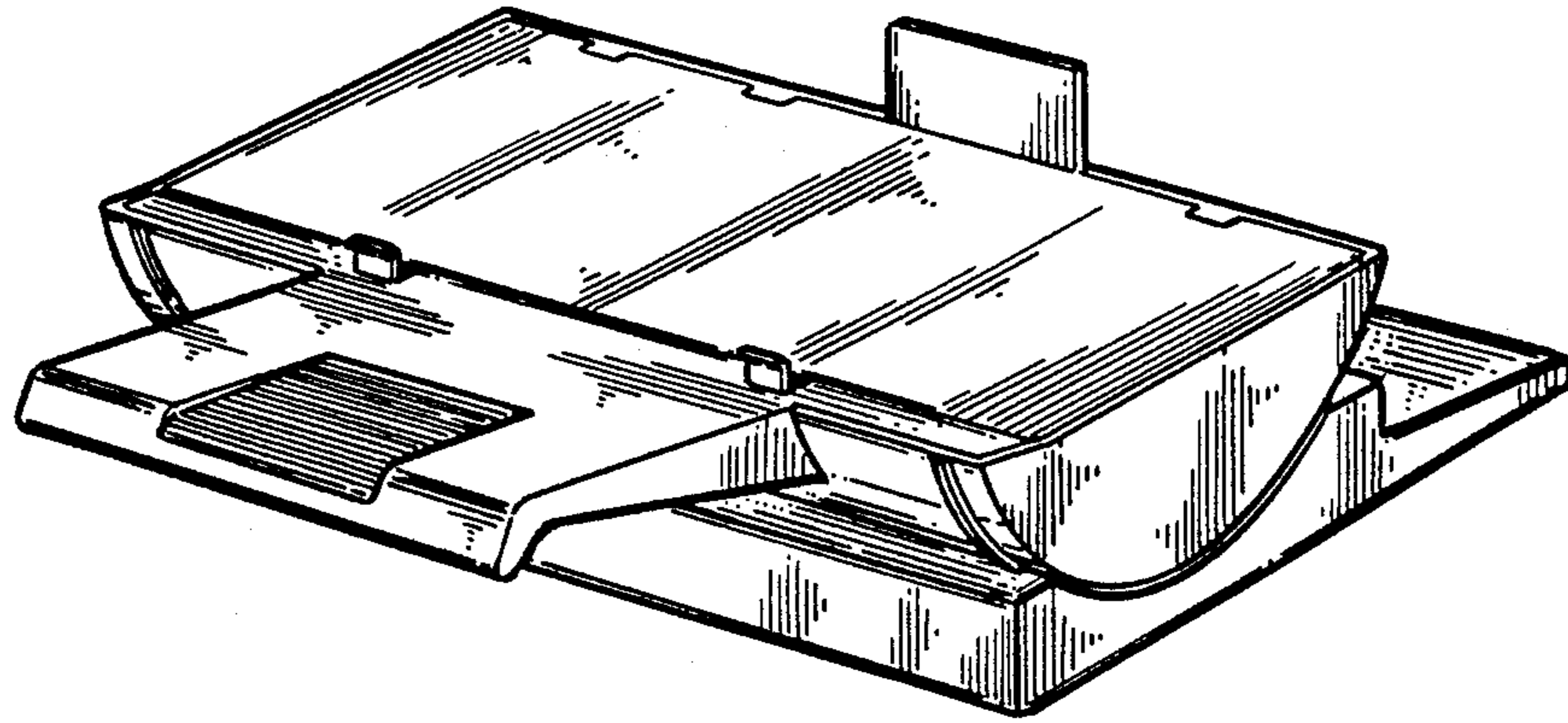


Fig. 2

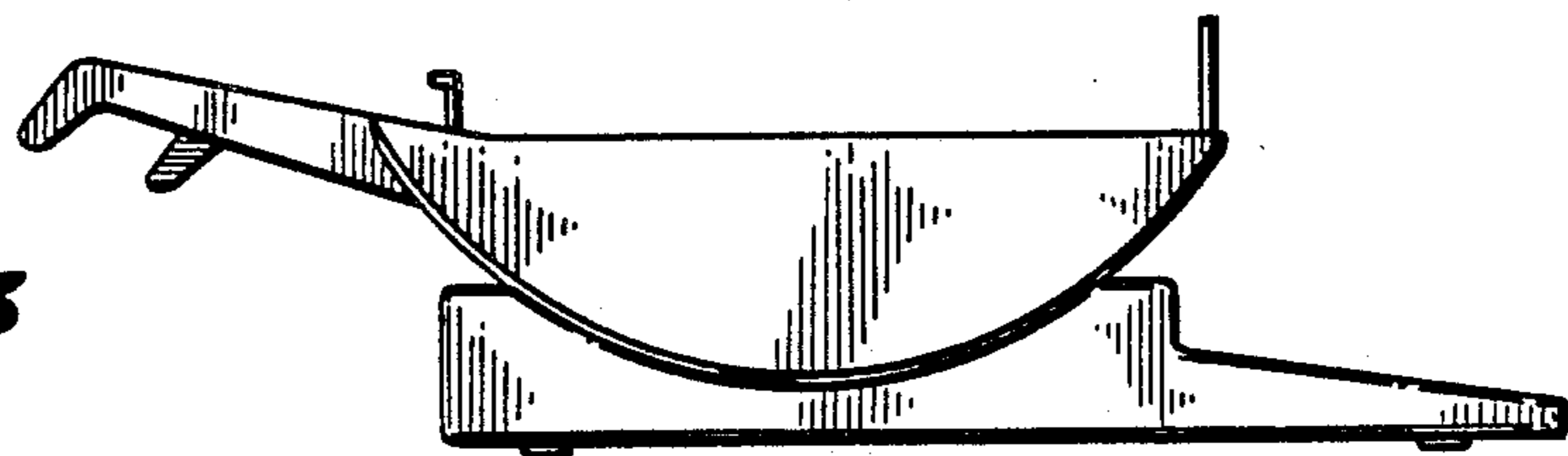


Fig. 3

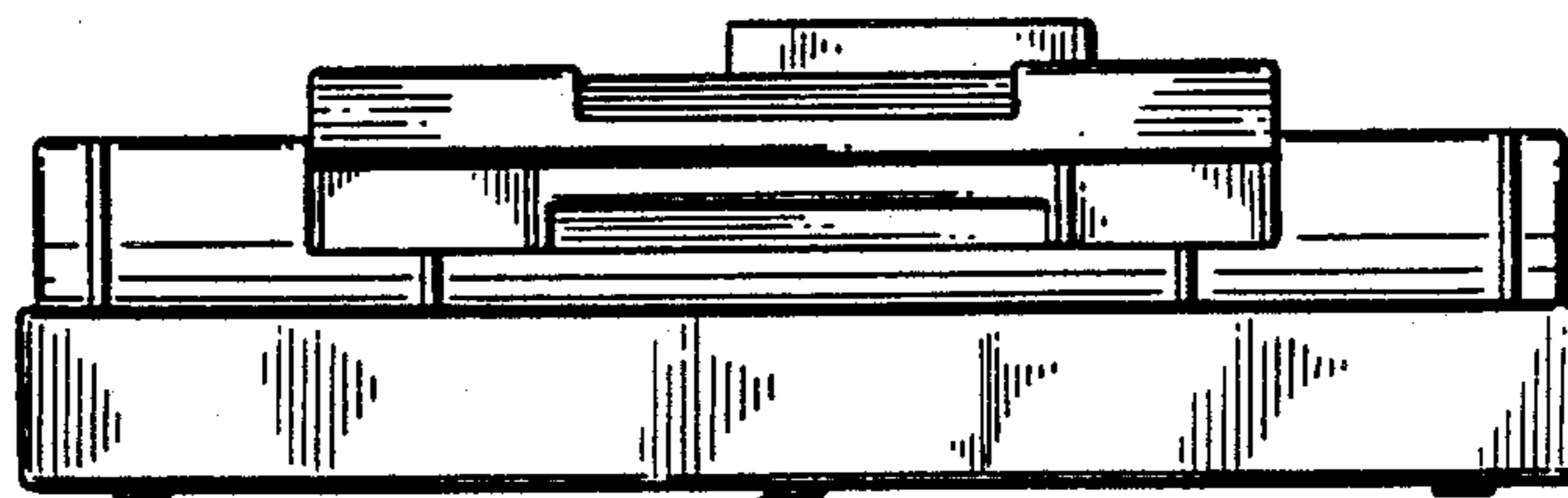


Fig. 4

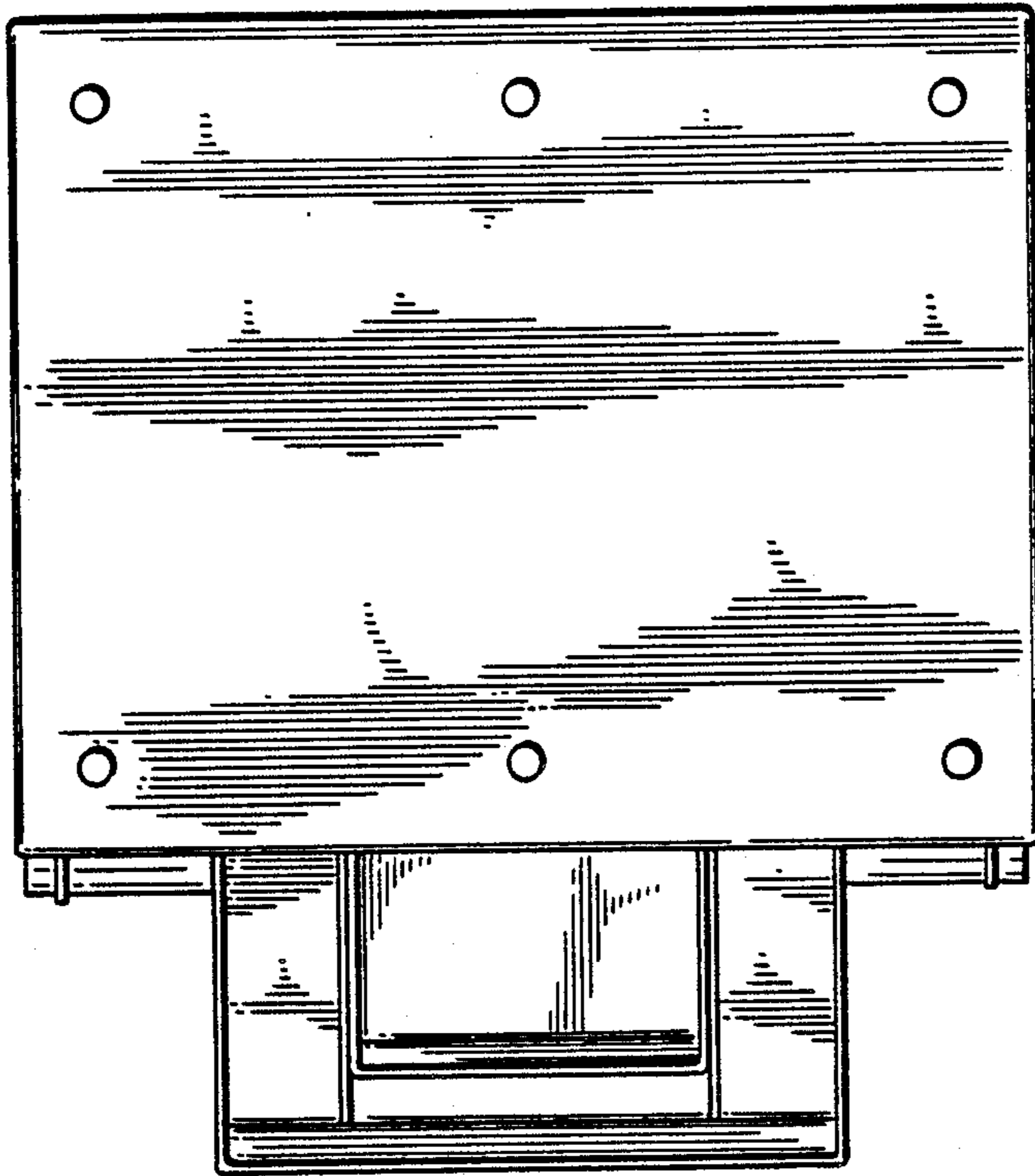


Fig. 6

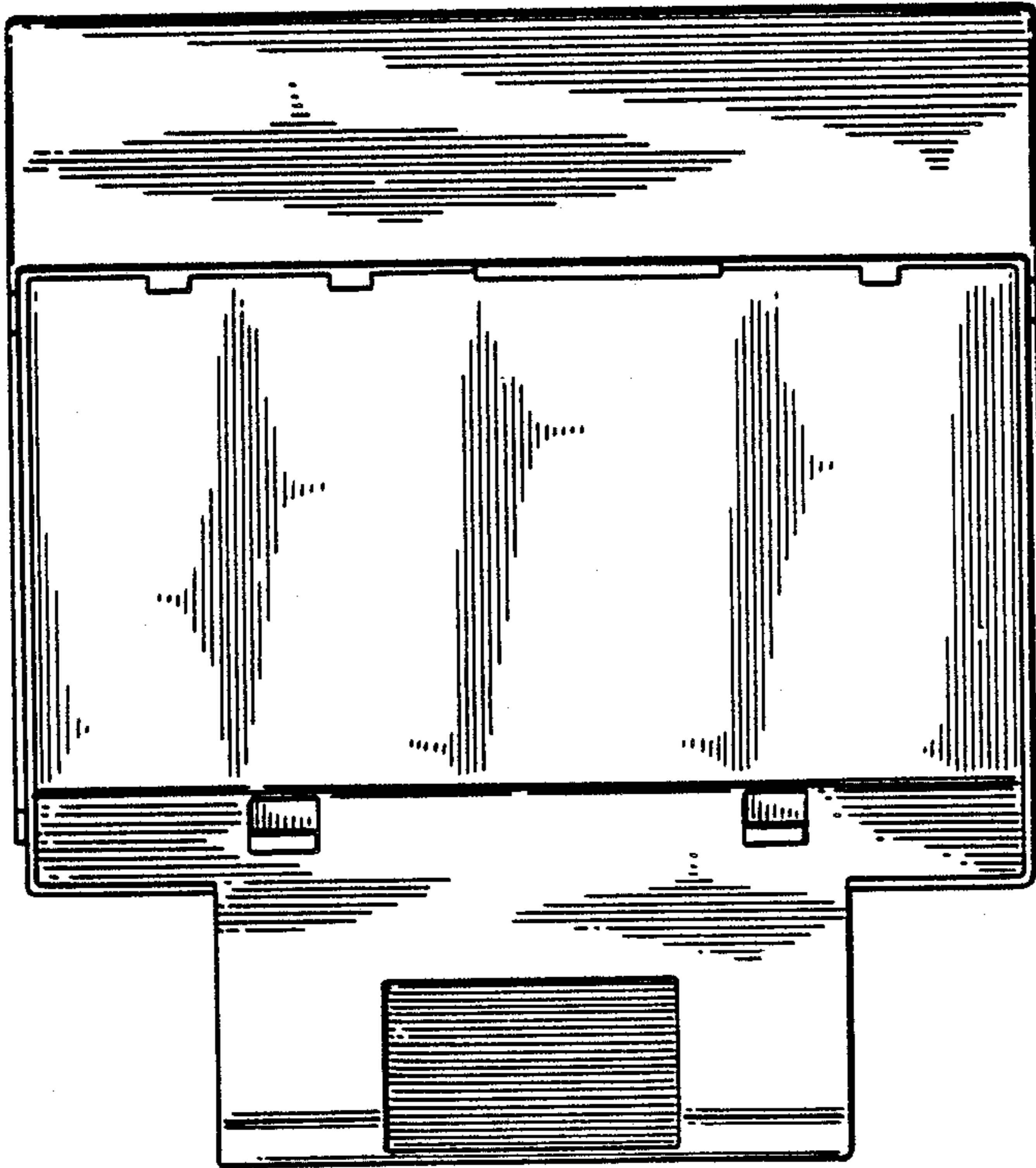


Fig. 5

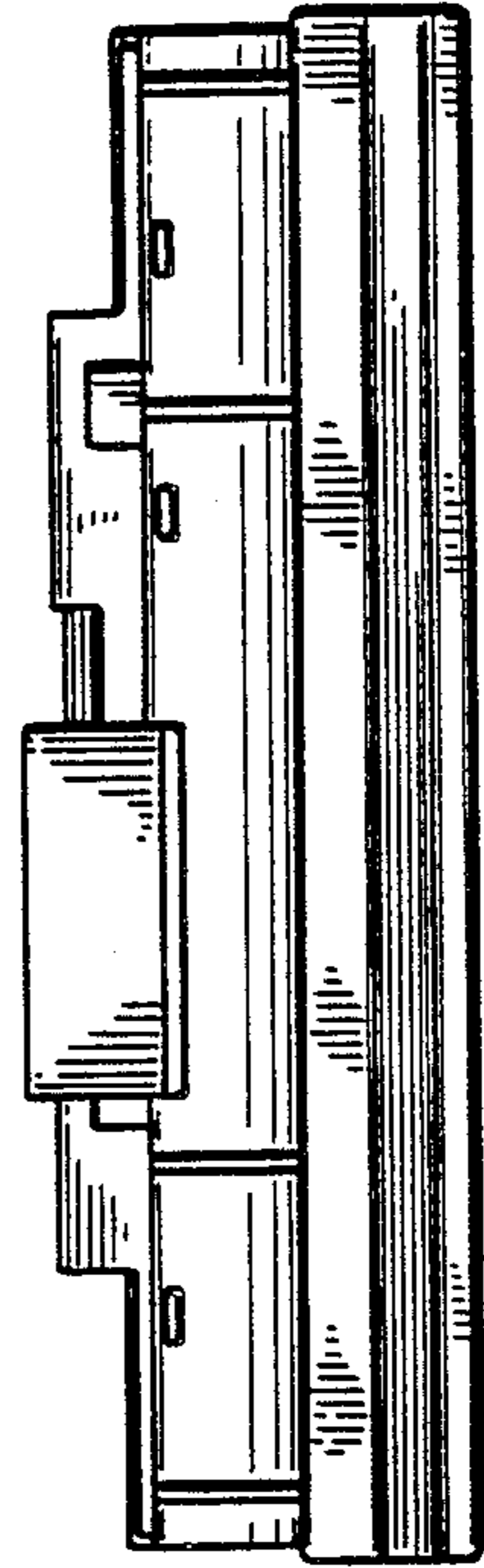


Fig. 7