

United States Patent [19]
Morse

[11] **Patent Number: Des. 305,328**
[45] **Date of Patent: ** Jan. 2, 1990**

[54] **ARMORED SEAL FOR TOGGLE TYPE SWITCHES**
[75] **Inventor: Milton Morse, Fort Lee, N.J.**
[73] **Assignee: Nena Morse, Upper Saddle River, N.J.**
[**] **Term: 14 Years**
[21] **Appl. No.: 910,011**
[22] **Filed: Sep. 22, 1986**
[52] **U.S. Cl. D13/37**
[58] **Field of Search D13/32, 37, 38; 200/5 R, 6 R, 6 B, 6 BA, 6 C, 16 C, 16 D, 38 D, 38 FB, 51 R, 51.17, 302.1, 303.2, 302.3, 339, 341, 345, 543, 544, 546, 547-551; 277/32, 212 FB; 74/17.8**

2,861,156 11/1958 Kulka 200/302.3
2,868,920 1/1959 Mumford et al. 200/302.3
3,185,806 5/1965 Bowman et al. 200/302.2
3,471,158 10/1969 Solins 277/32
4,178,806 12/1979 Morse 74/17.8

FOREIGN PATENT DOCUMENTS

1111671 3/1956 France 200/302.3

Primary Examiner—Susan J. Lucas
Assistant Examiner—Joel Sincavage
Attorney, Agent, or Firm—Weingram & Zall

[57] **CLAIM**

The ornamental design for an armored seal for toggle type switches, as shown and described.

DESCRIPTION

FIG. 1 is a perspective view from the front above of the armored seal for toggle type switches showing my new design;

FIG. 2 is a top plan view thereof;

FIG. 3 is a front elevational view thereof, the rear elevational view being the same; and

FIG. 4 is a bottom plan view thereof.

[56] **References Cited**

U.S. PATENT DOCUMENTS

2,462,023 2/1949 Johanson et al. 200/302.3
2,539,386 6/1951 Albert 74/17.8
2,795,144 6/1957 Morse 74/17.8

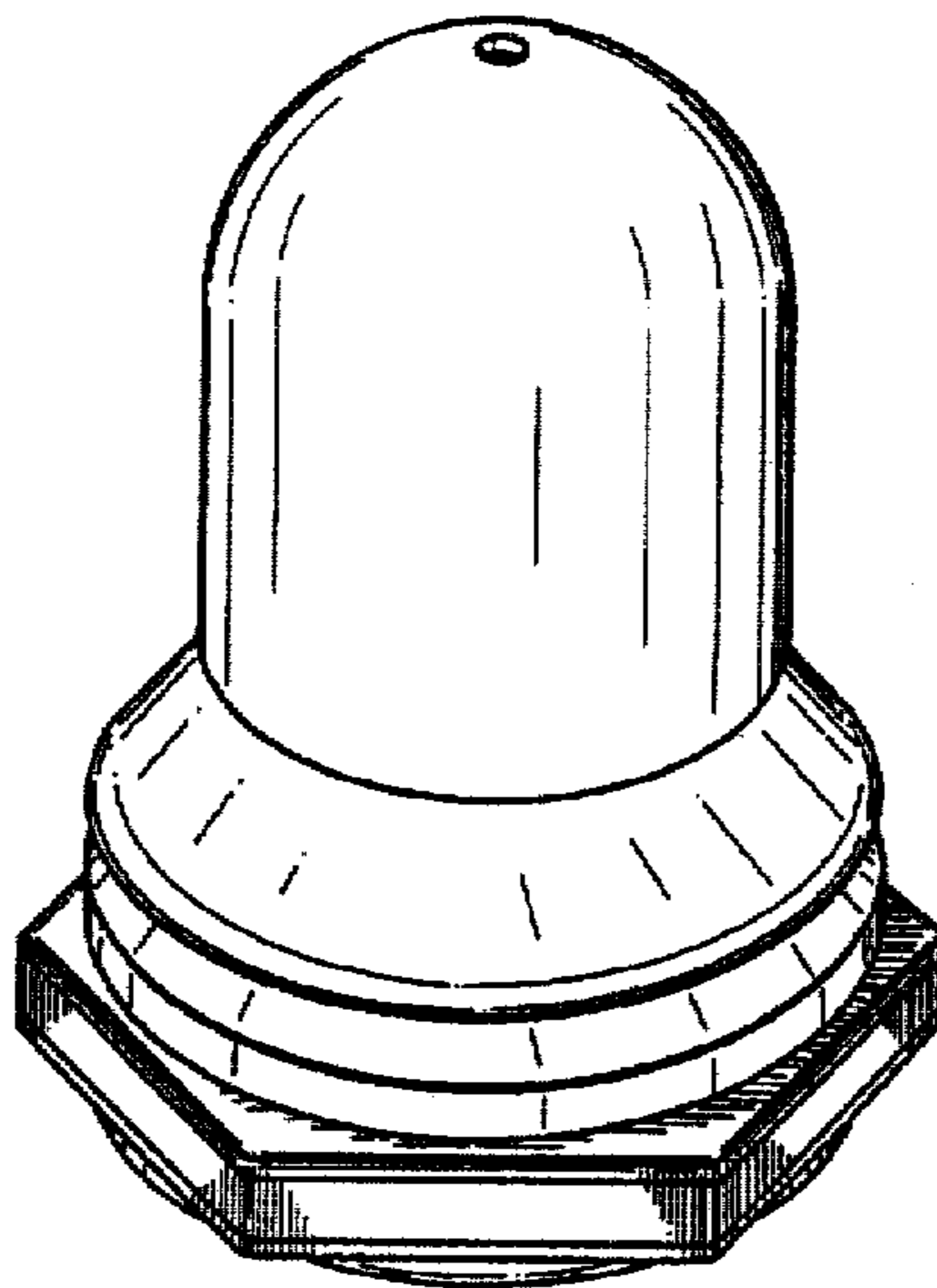


FIG-1

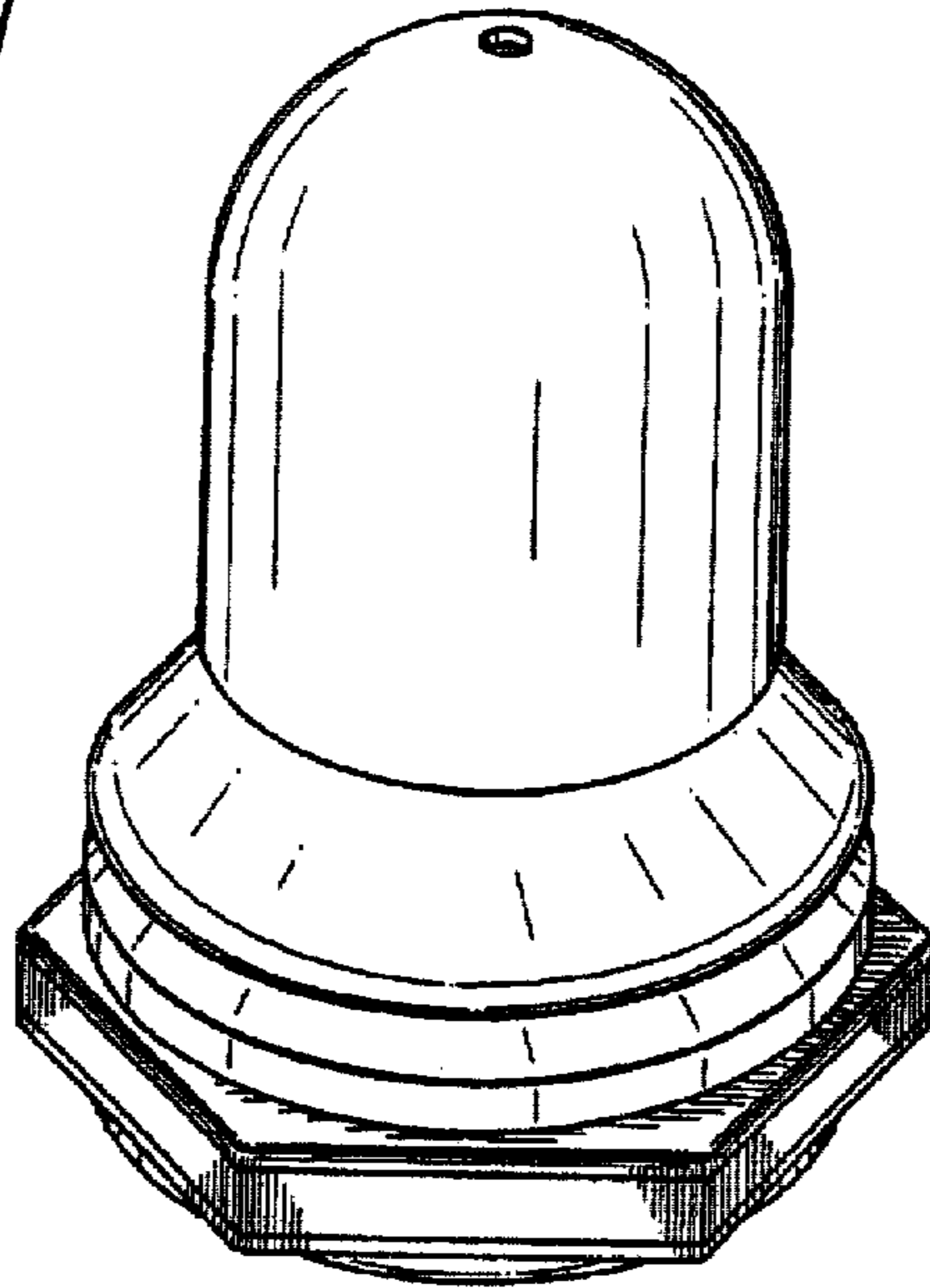


FIG-2

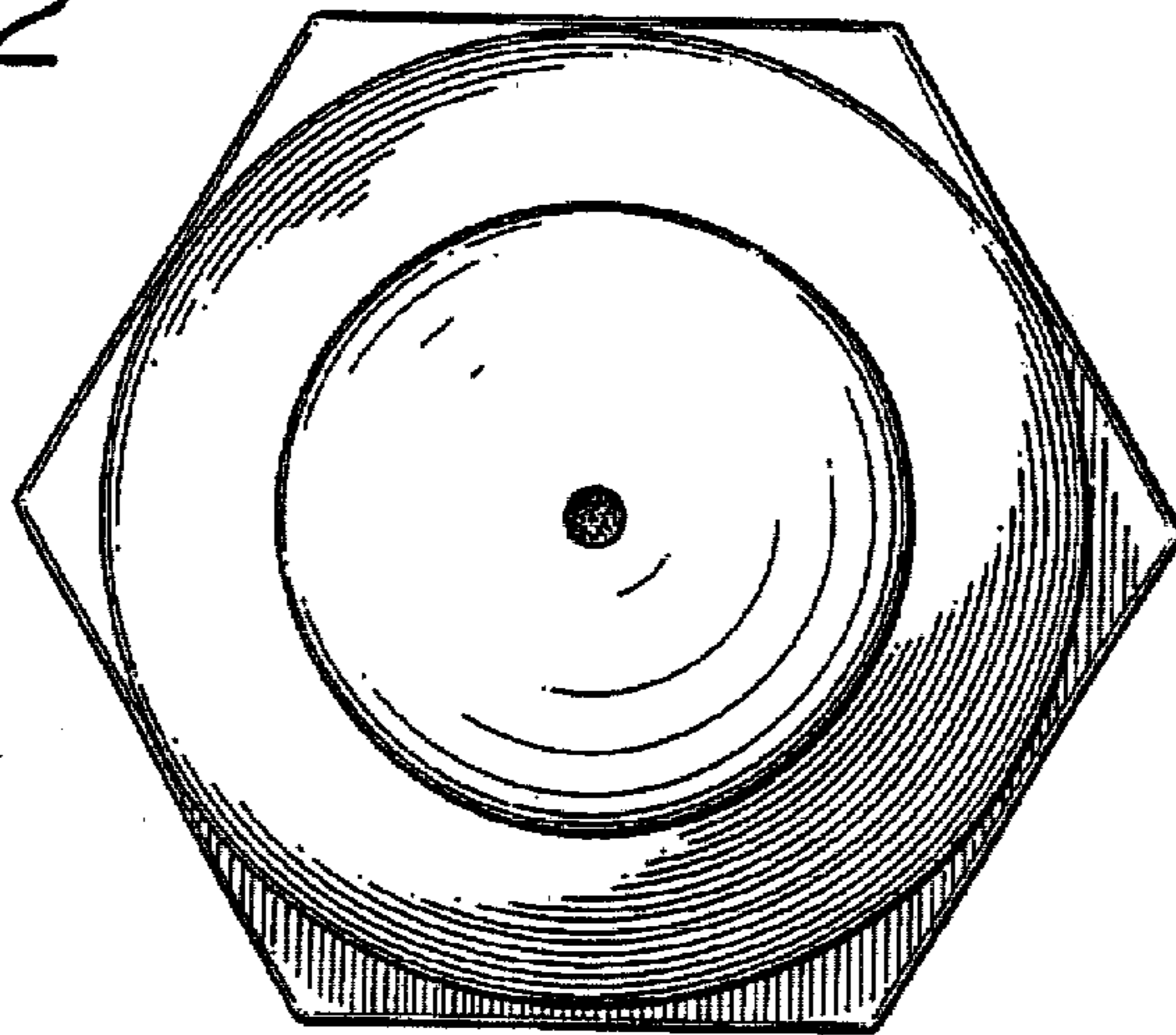


FIG-3

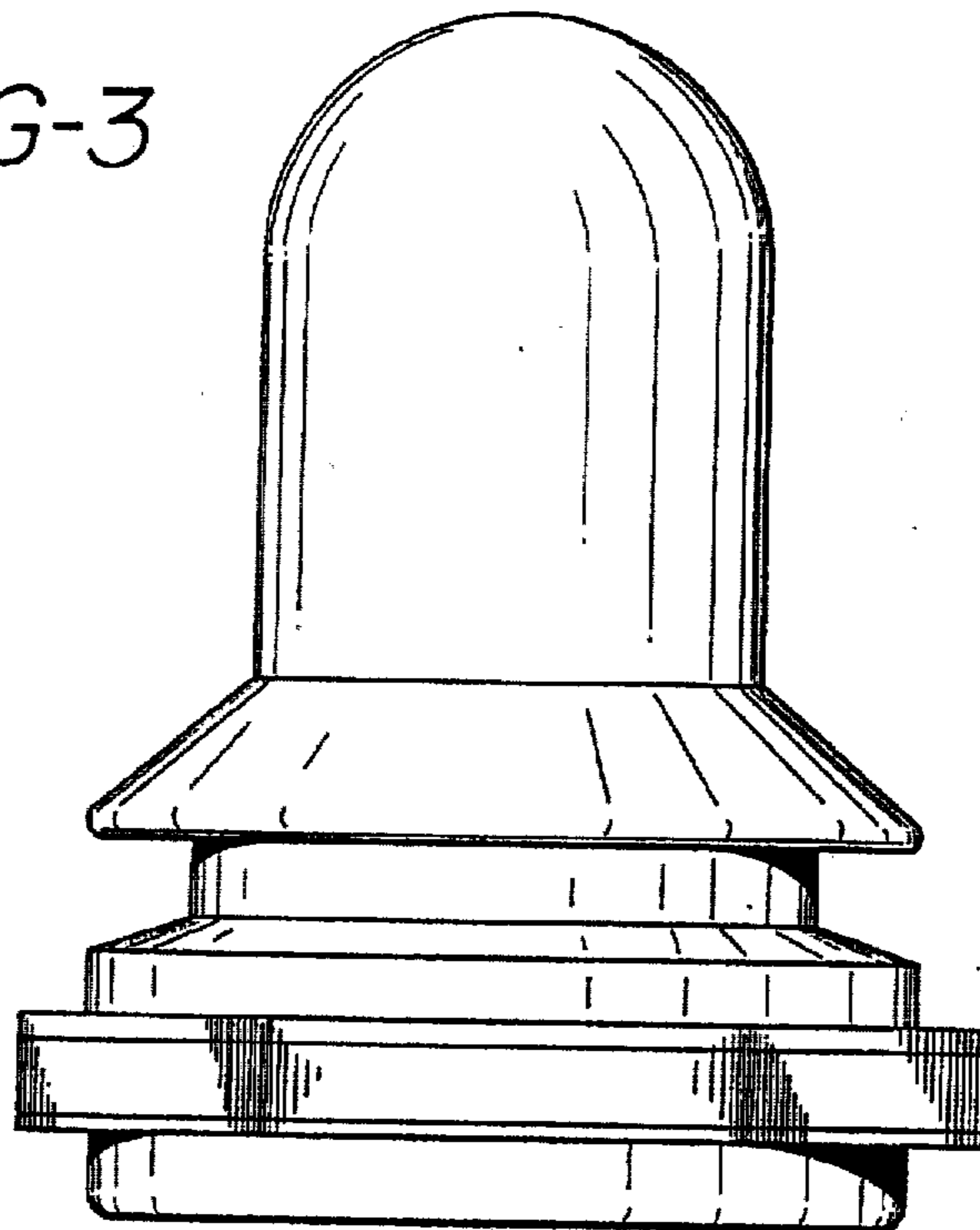


FIG-4

