

[54] BABY CARRIAGE

[75] Inventor: Kenzou Kassai, Osaka, Japan

[73] Assignee: Aprica Kassai Kabushikikaisha, Osaka, Japan

[**] Term: 14 Years

[21] Appl. No.: 139,939

[22] Filed: Dec. 31, 1987

[30] Foreign Application Priority Data

Jul. 23, 1987 [JP] Japan 62-29918

[52] U.S. Cl. D12/129

[58] Field of Search D12/129, 128; 280/642, 280/644, 647, 650, 658, 42, 47.38; 297/45, 39

[56] References Cited

U.S. PATENT DOCUMENTS

4,565,388 1/1986 Kassai 280/42

4,660,850 4/1987 Nakao et al. D12/129

4,733,882 3/1988 Kassai 280/642

Primary Examiner—Wallace R. Burke

Assistant Examiner—Kay H. Chin

Attorney, Agent, or Firm—W. G. Fasse; D. H. Kane, Jr.

[57] CLAIM

The ornamental design for a baby carriage, as shown and described.

DESCRIPTION

FIG. 1 is a front perspective view of a baby carriage showing my new design;

FIG. 2 is a rear perspective view thereof;

FIG. 3 is a top plan view thereof;

FIG. 4 is a bottom plan view thereof;

FIG. 5 is a left side perspective view thereof;

FIG. 6 is a right side perspective view thereof;

FIG. 7 is a front perspective view thereof;

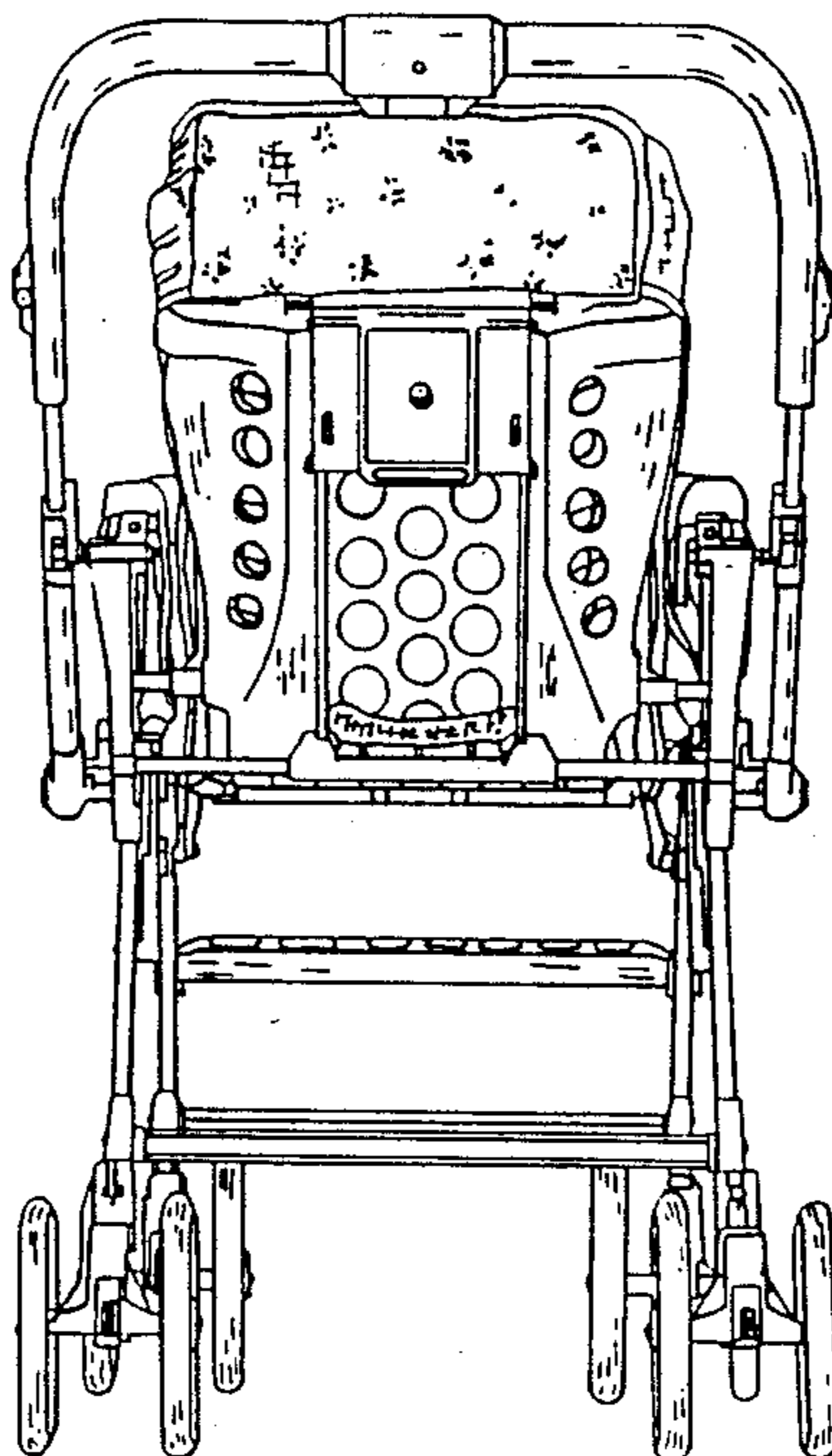
FIG. 8 is a front perspective view thereof wherein a sunshade is attached thereto;

FIG. 9 is a front perspective view thereof in a folded condition;

FIG. 10 is a front perspective view thereof wherein a push rod is rotated to a front position;

FIG. 11 is a front perspective view thereof wherein a basket is attached thereto; and

FIG. 12 is a front perspective view thereof wherein a backrest portion is in an inclined condition and a seat portion is forwardly extended.



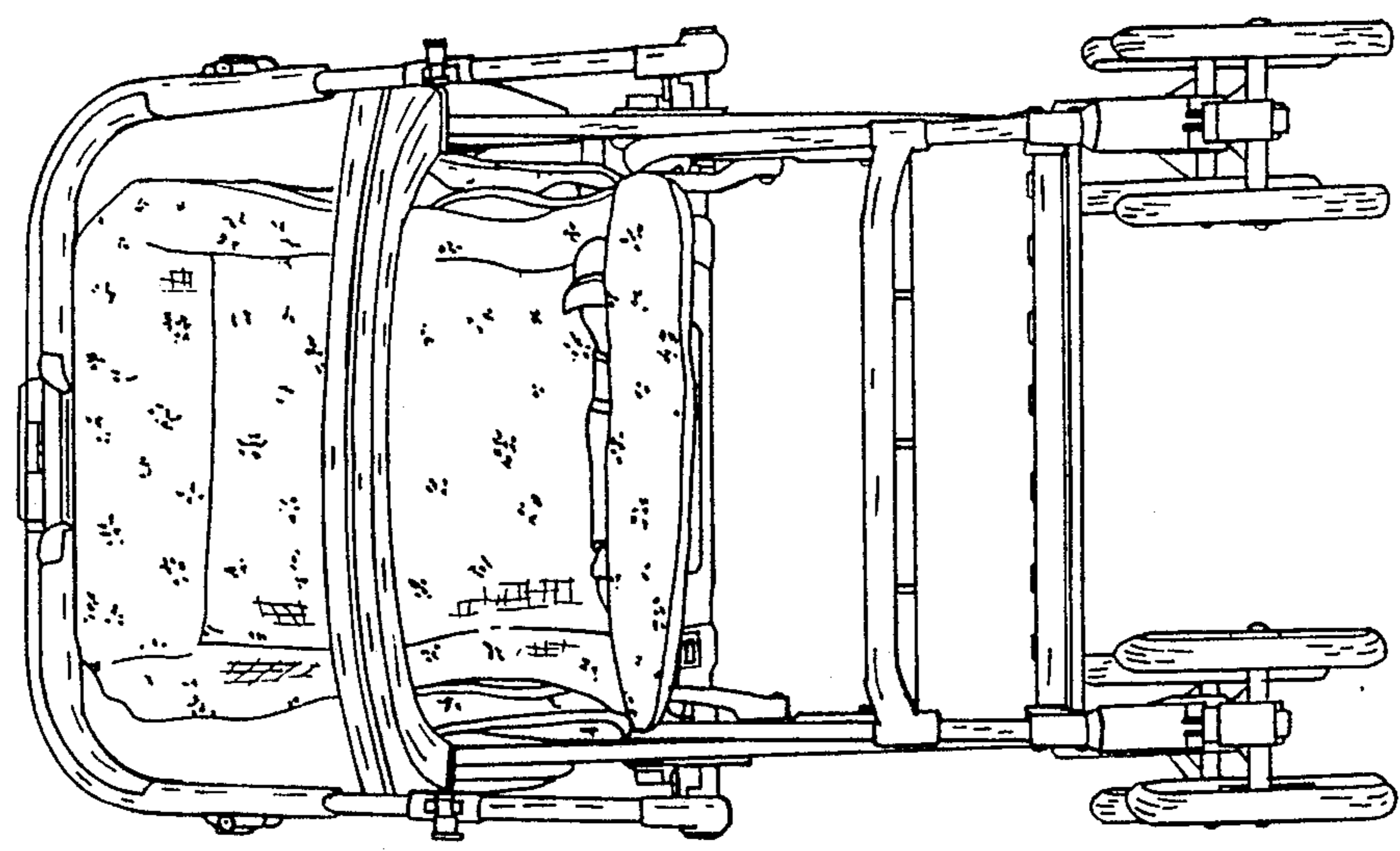


FIG. 1

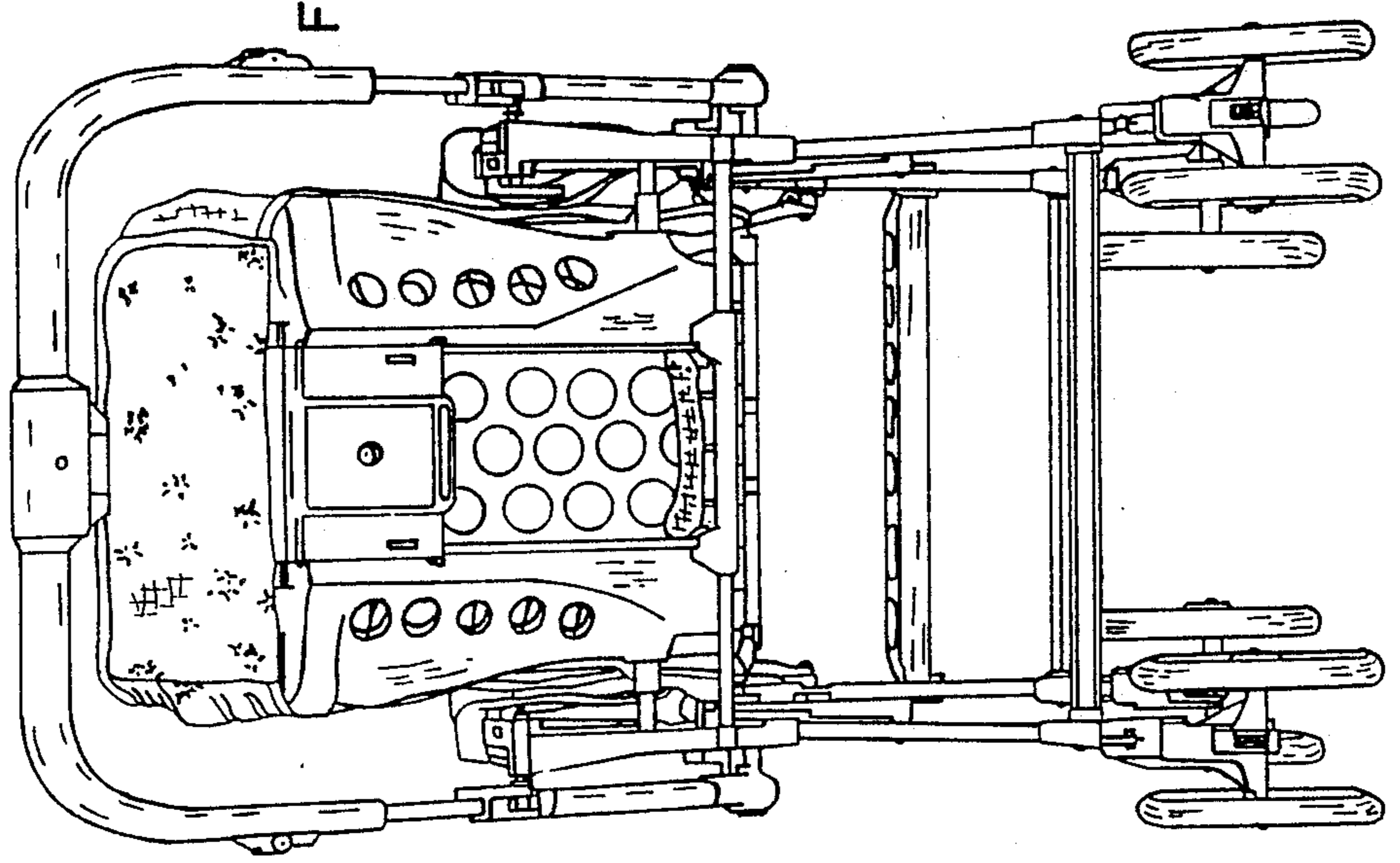


FIG. 2

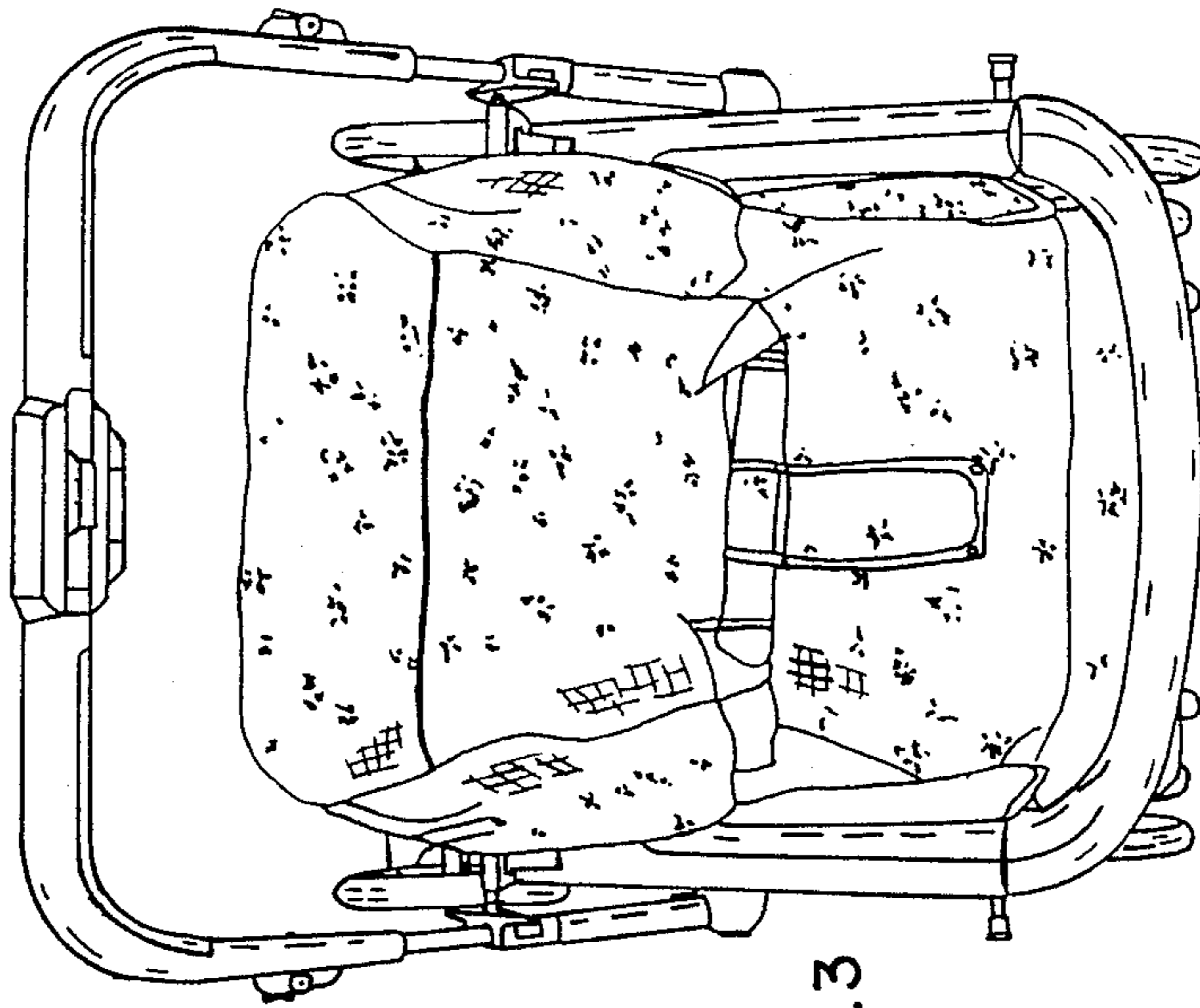


FIG. 3

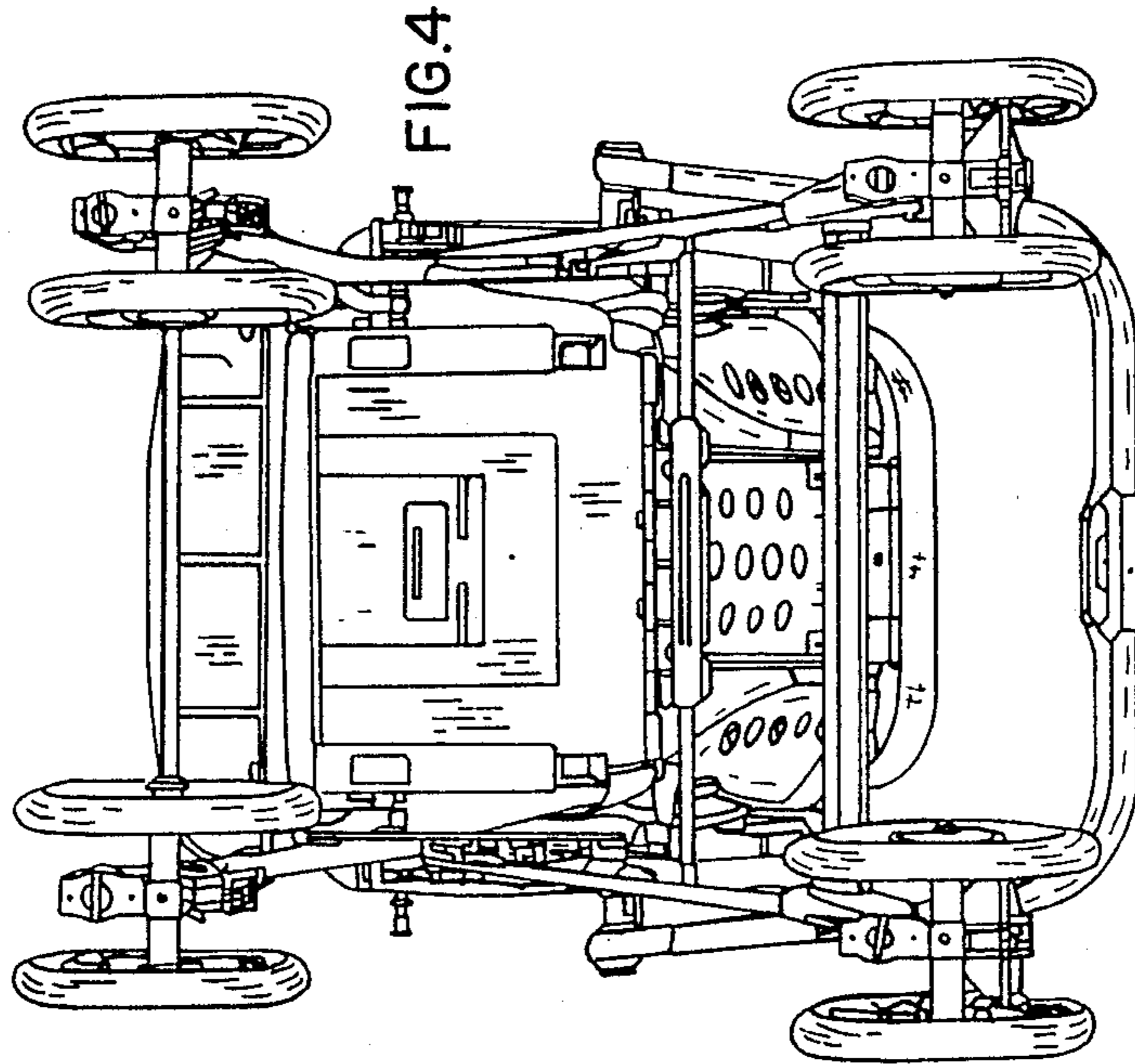


FIG. 4

FIG.5

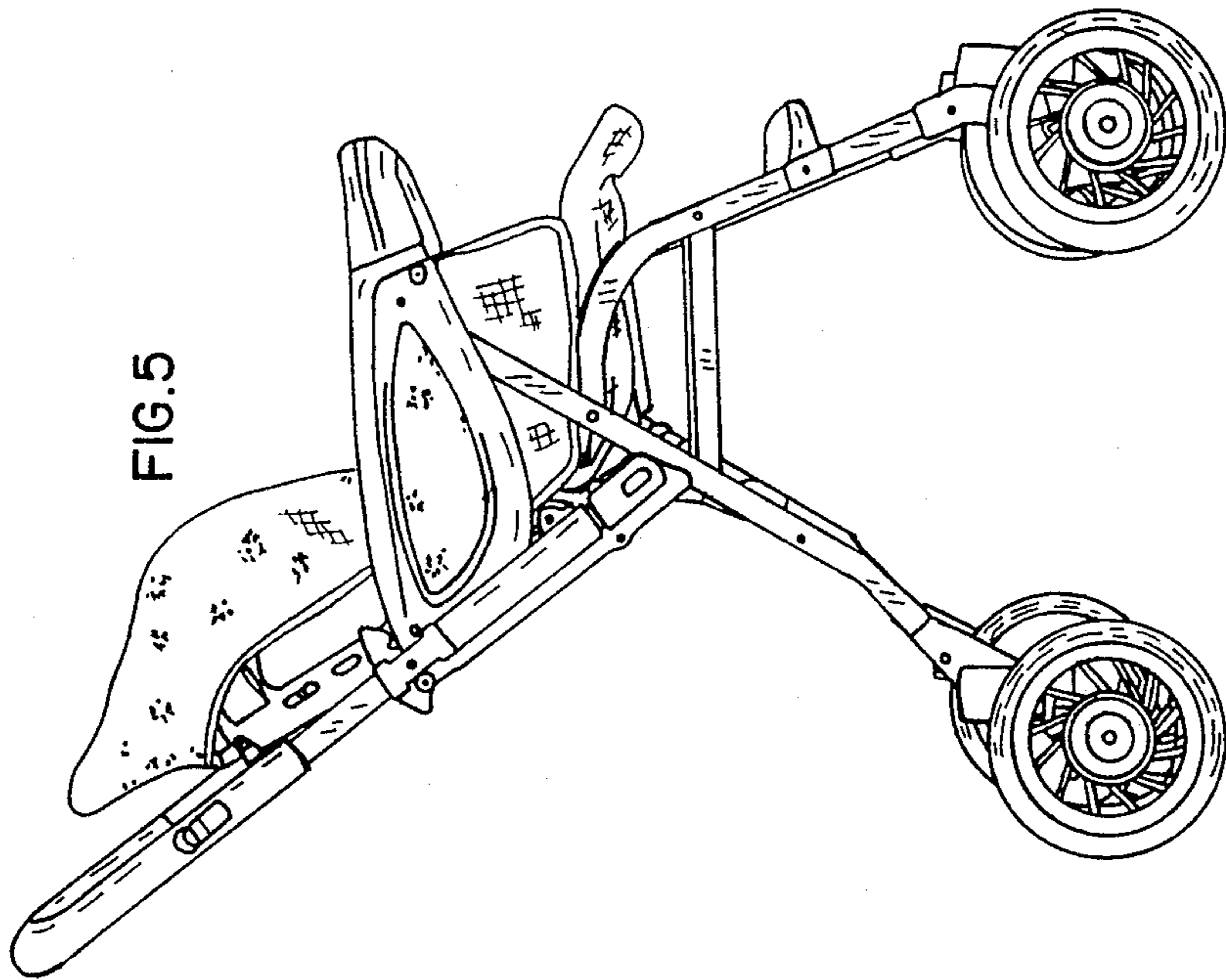
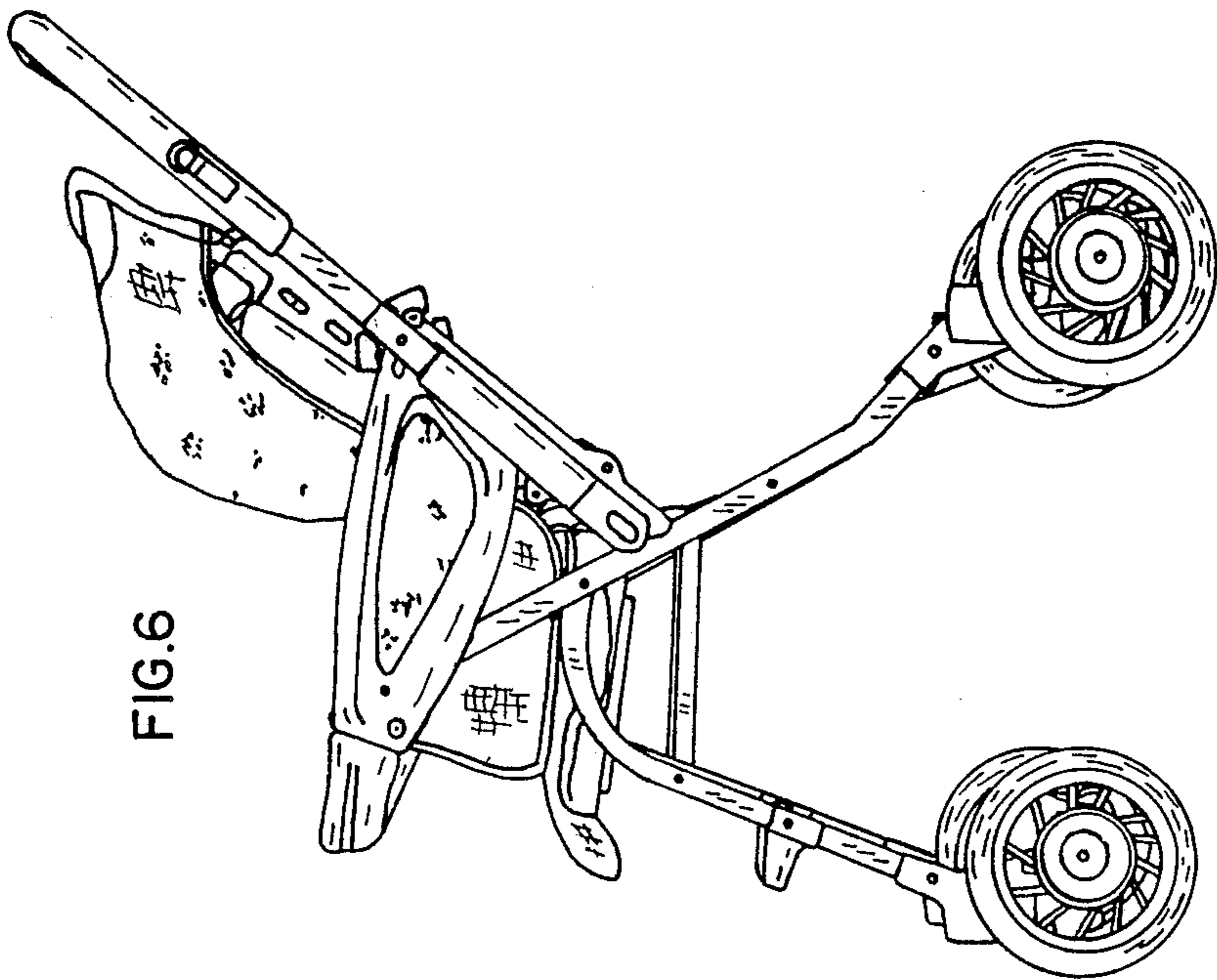


FIG.6



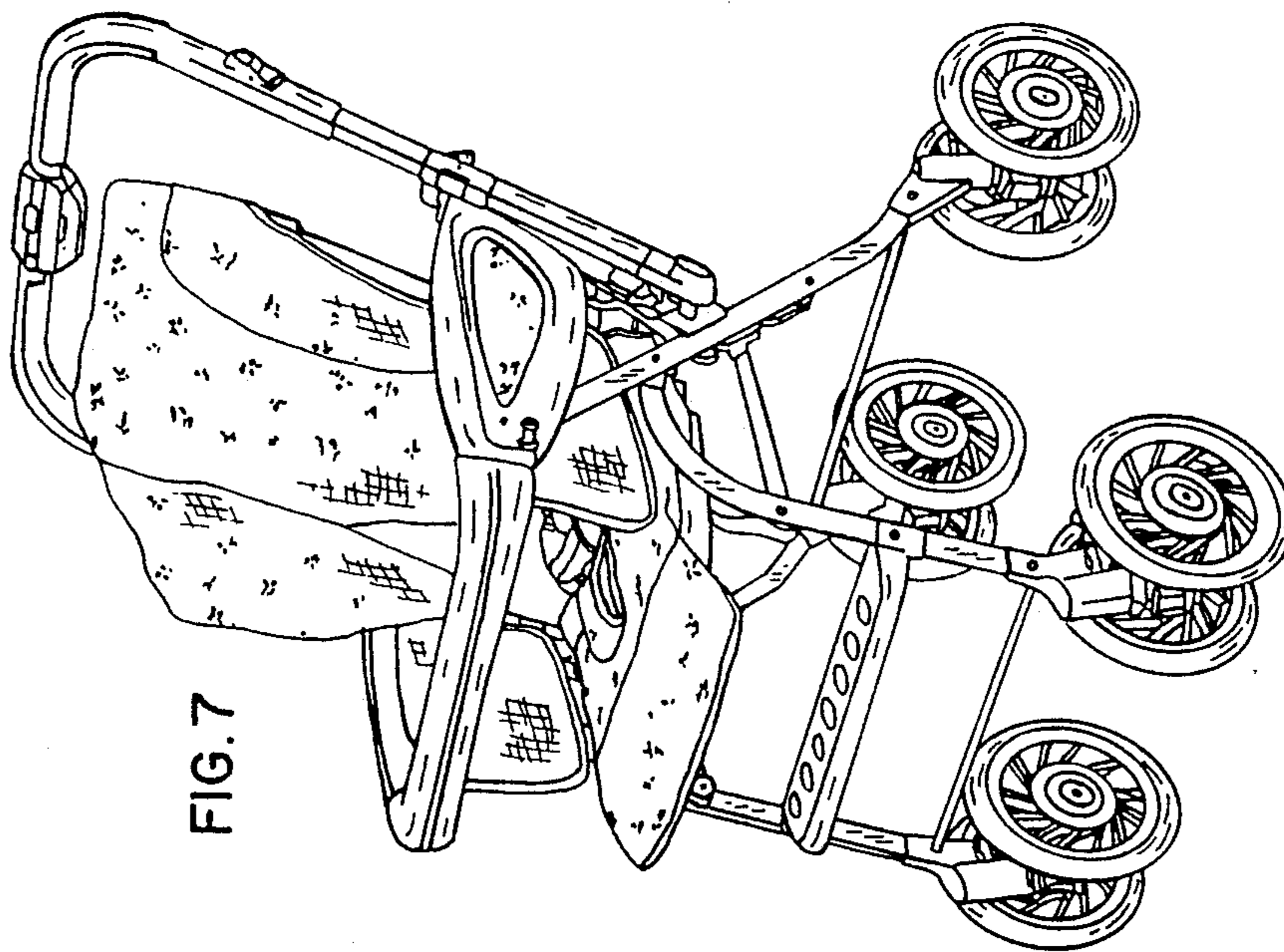


FIG. 7

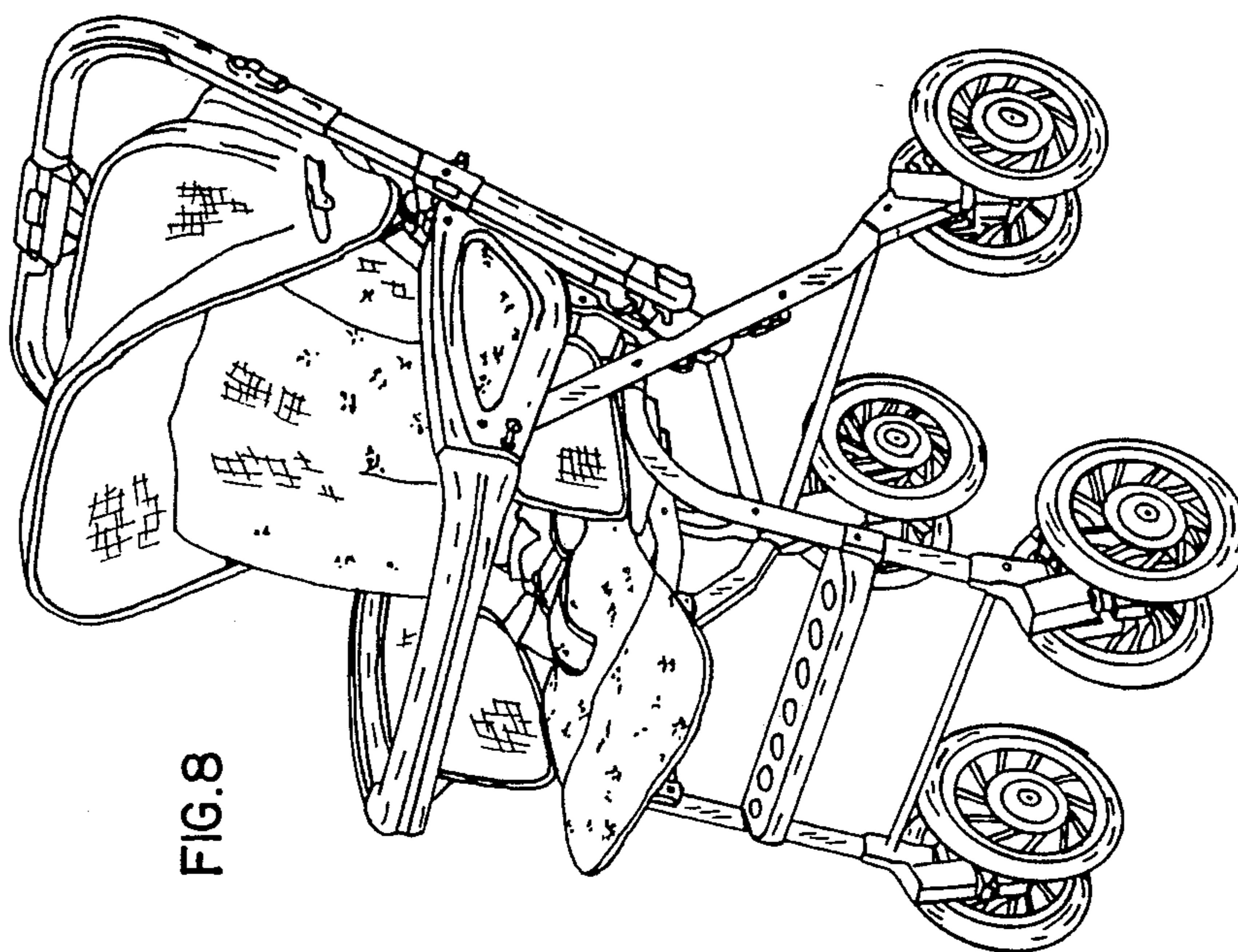


FIG. 8

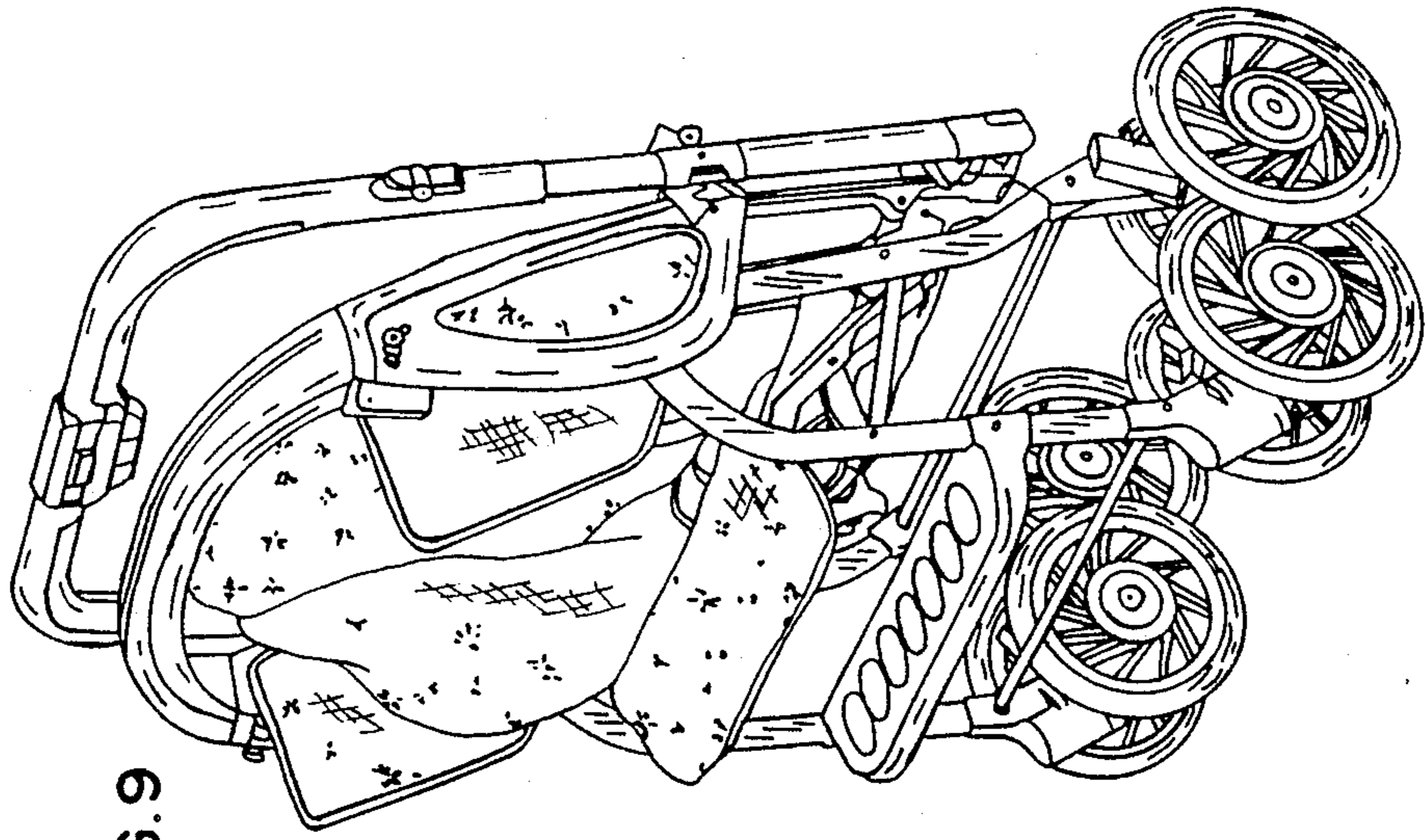


FIG. 9

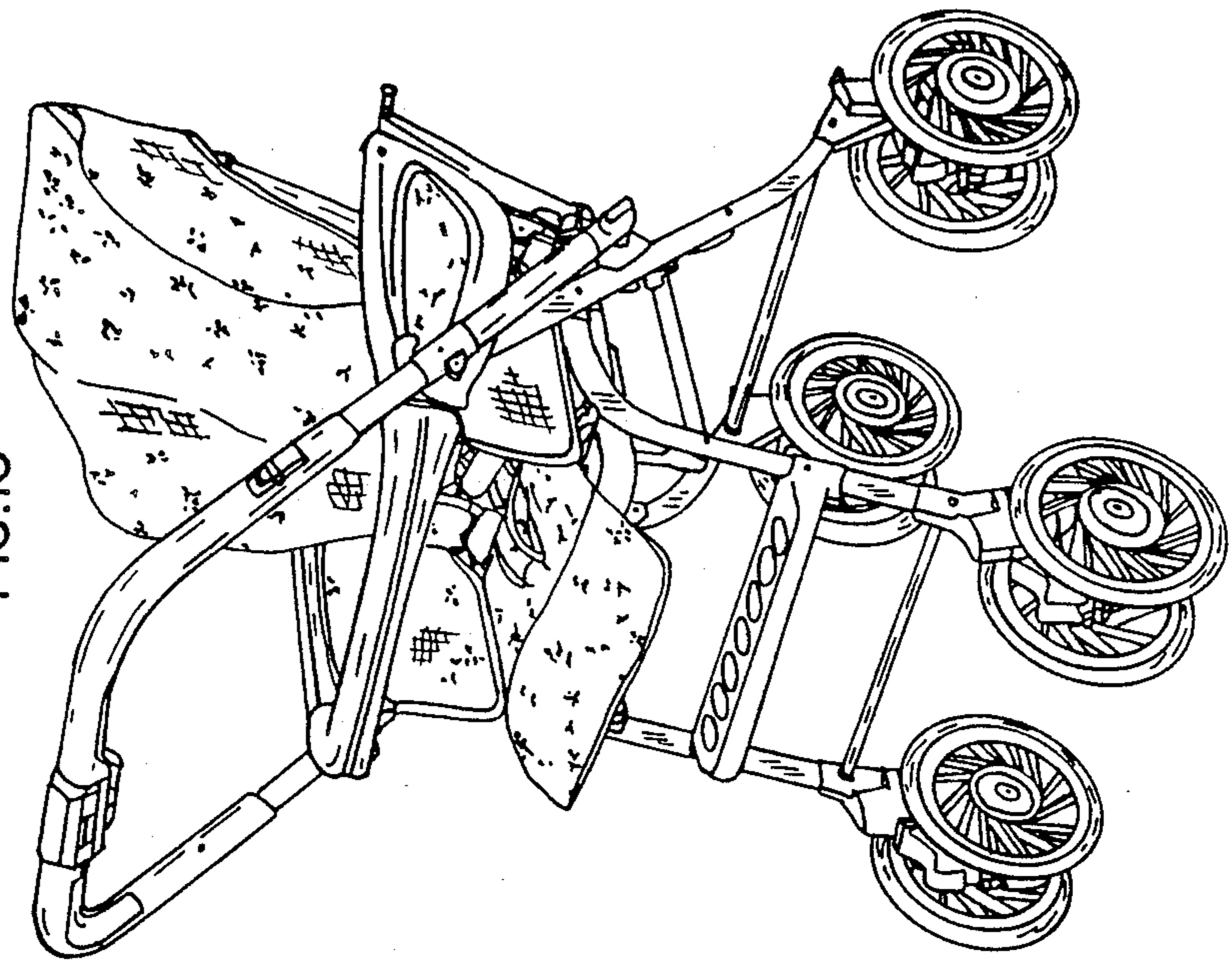


FIG. 10

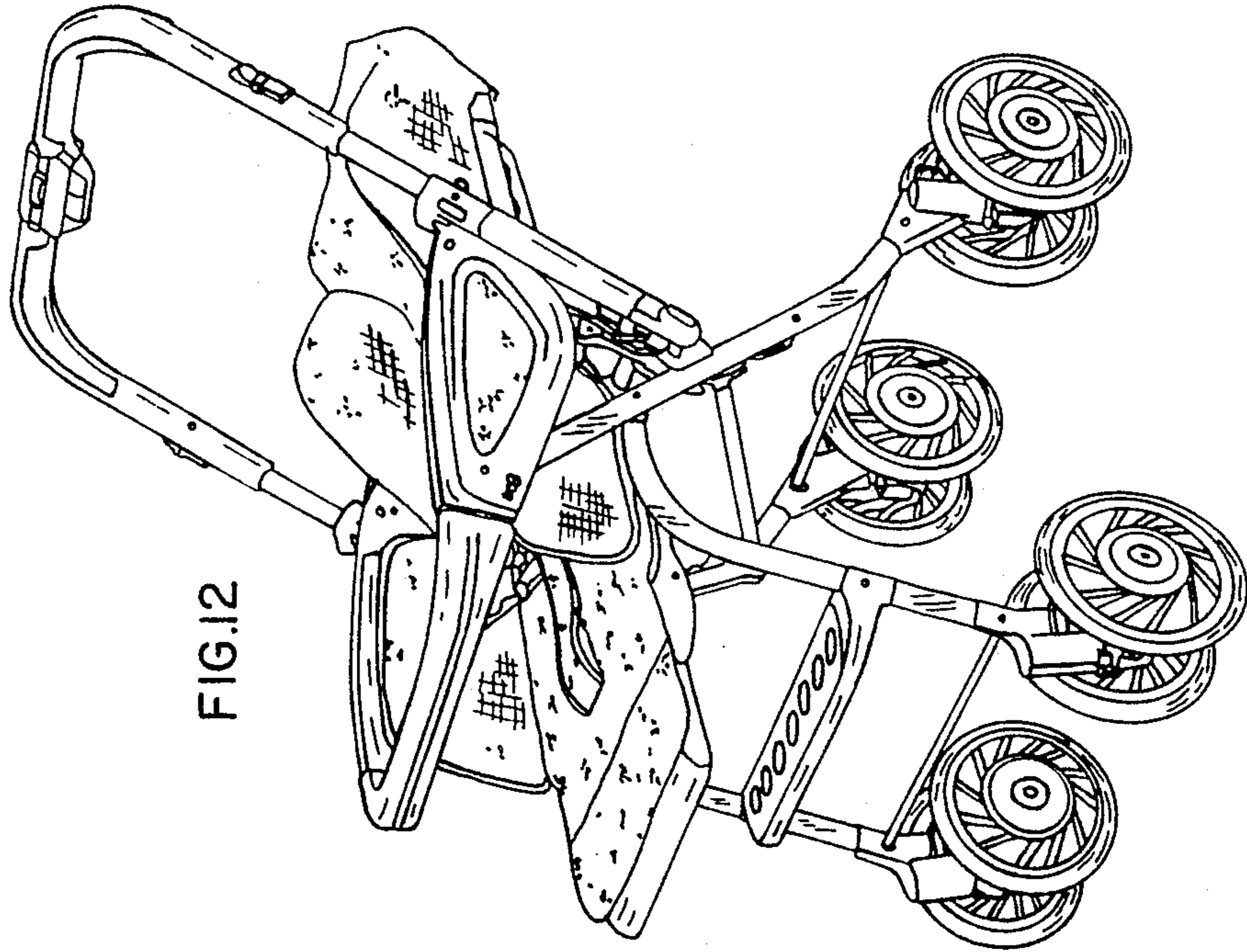


FIG. 12

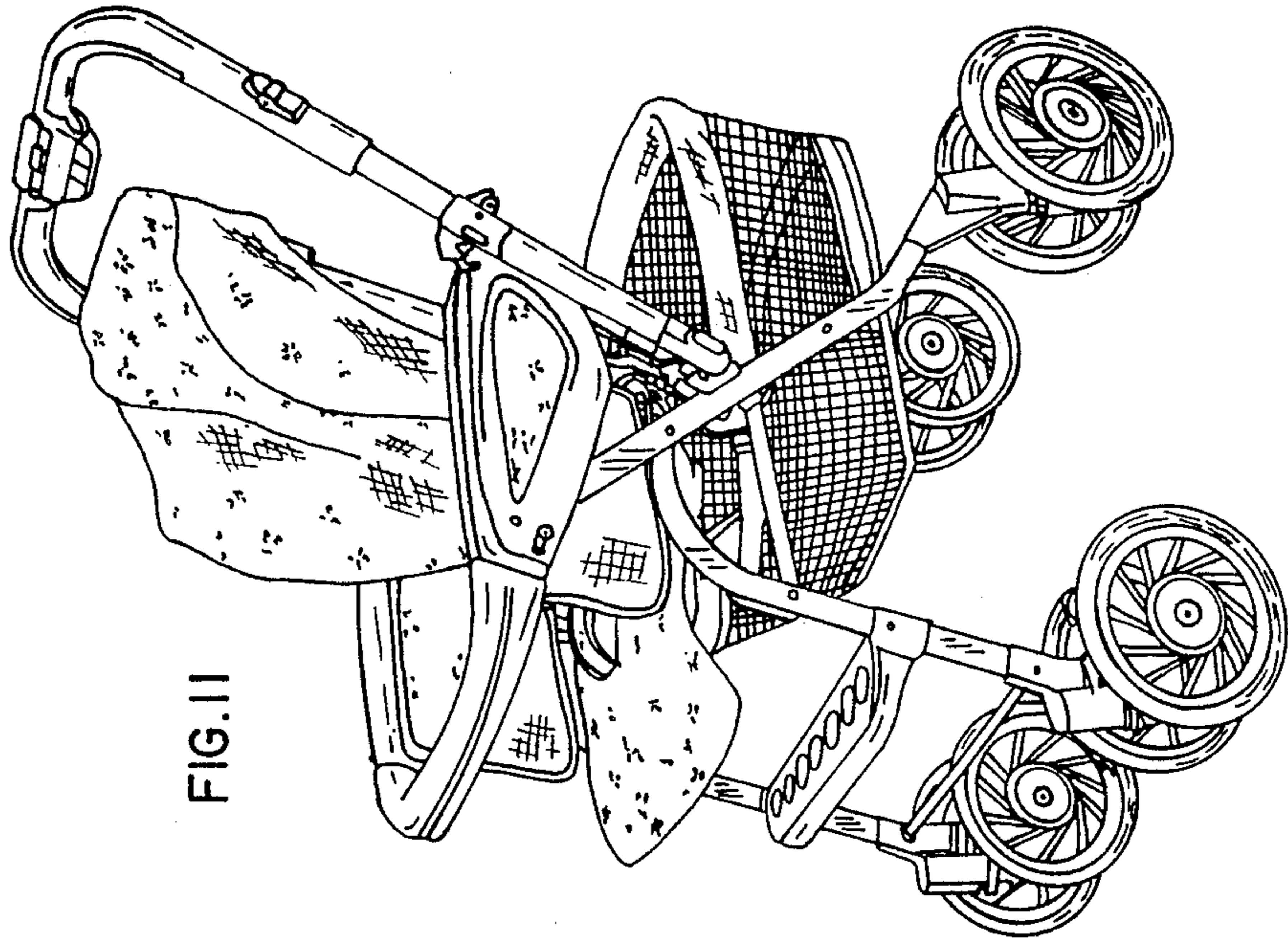


FIG. 11