

[54] **BABY CARRIAGE**
[76] **Inventor: Chin-Chung Lin, 265, Fu Hsing Rd.,
Shuh Lin Chen, Taipei Hsien,
Taiwan**
[**] **Term: 14 Years**
[21] **Appl. No.: 121,757**
[22] **Filed: Nov. 12, 1987**
[52] **U.S. Cl. D12/129**
[58] **Field of Search D12/128, 129; 280/644,
280/647, 42, 643, 650, 658, 642, 47, 38; 297/45,
39**

4,542,915 9/1985 Wheeler, III et al. 280/650
4,746,140 5/1988 Kassai 280/642

Primary Examiner—Wallace R. Burke
Assistant Examiner—K. H. Chin
Attorney, Agent, or Firm—Varndell Legal Group

[57] **CLAIM**

The ornamental design for a baby carriage, as shown and described.

DESCRIPTION

FIG. 1 is a top perspective view of a baby carriage showing my new design;
FIG. 2 is a front elevational view thereof;
FIG. 3 is a rear elevational view thereof;
FIG. 4 is a top plan view thereof;
FIG. 5 is a bottom plan view thereof; and
FIG. 6 is a side elevational view thereof, the opposite view being a mirror image of that shown.

[56] **References Cited**
U.S. PATENT DOCUMENTS
D. 138,468 8/1944 Call D12/129
D. 162,495 3/1951 Trimble D12/129
D. 296,540 7/1988 Perego D12/129



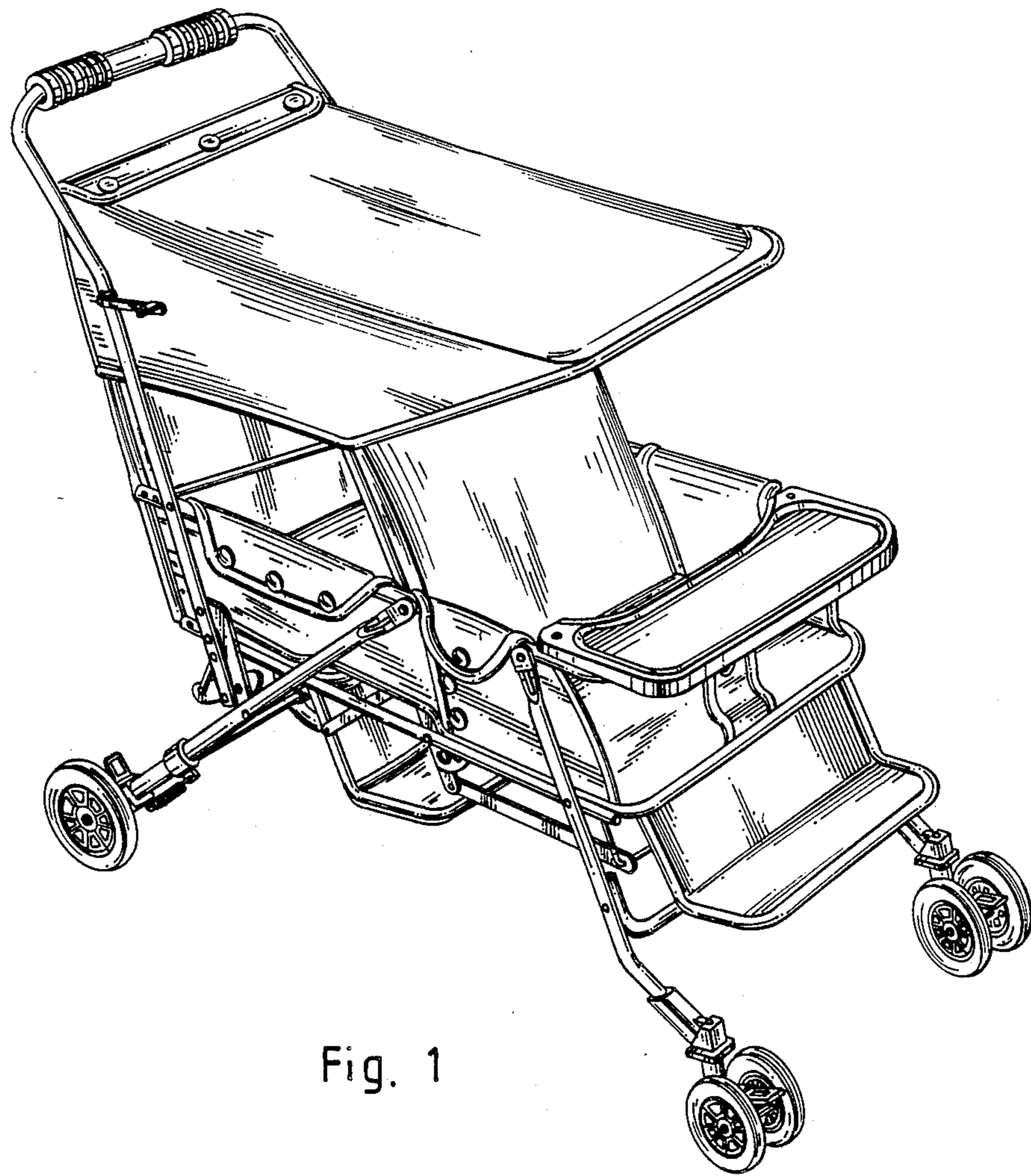


Fig. 1

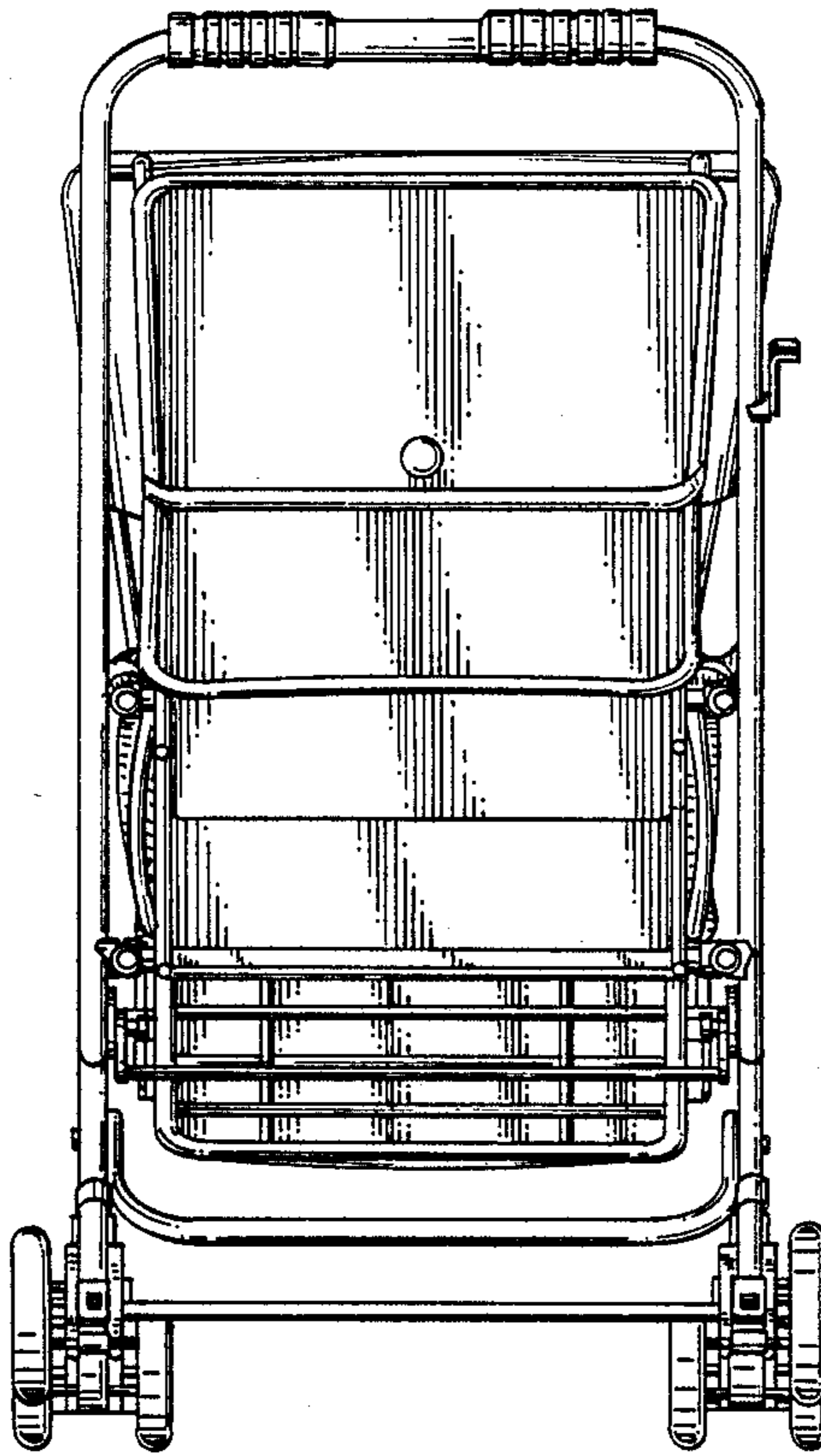


Fig. 3

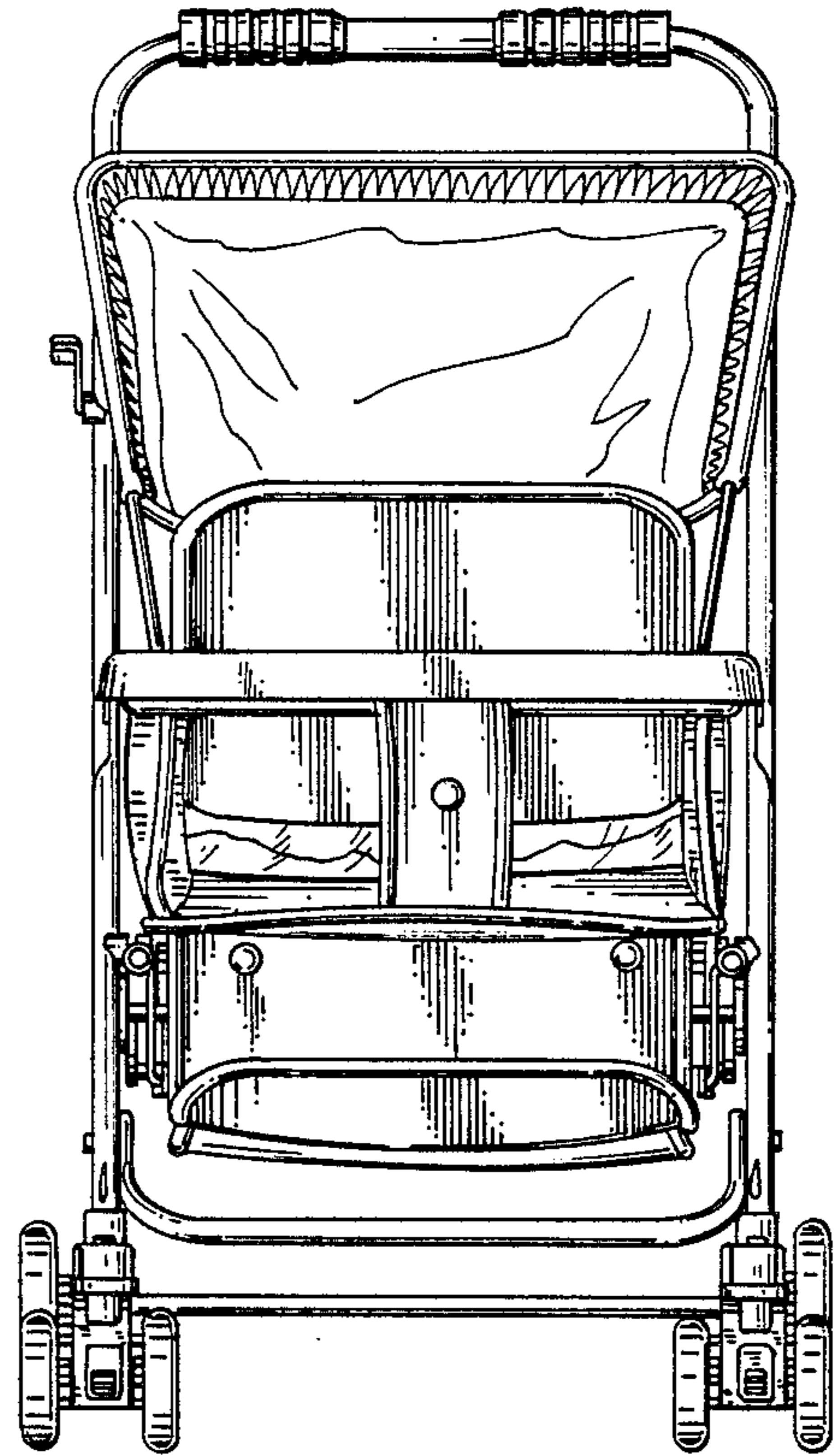


Fig. 2

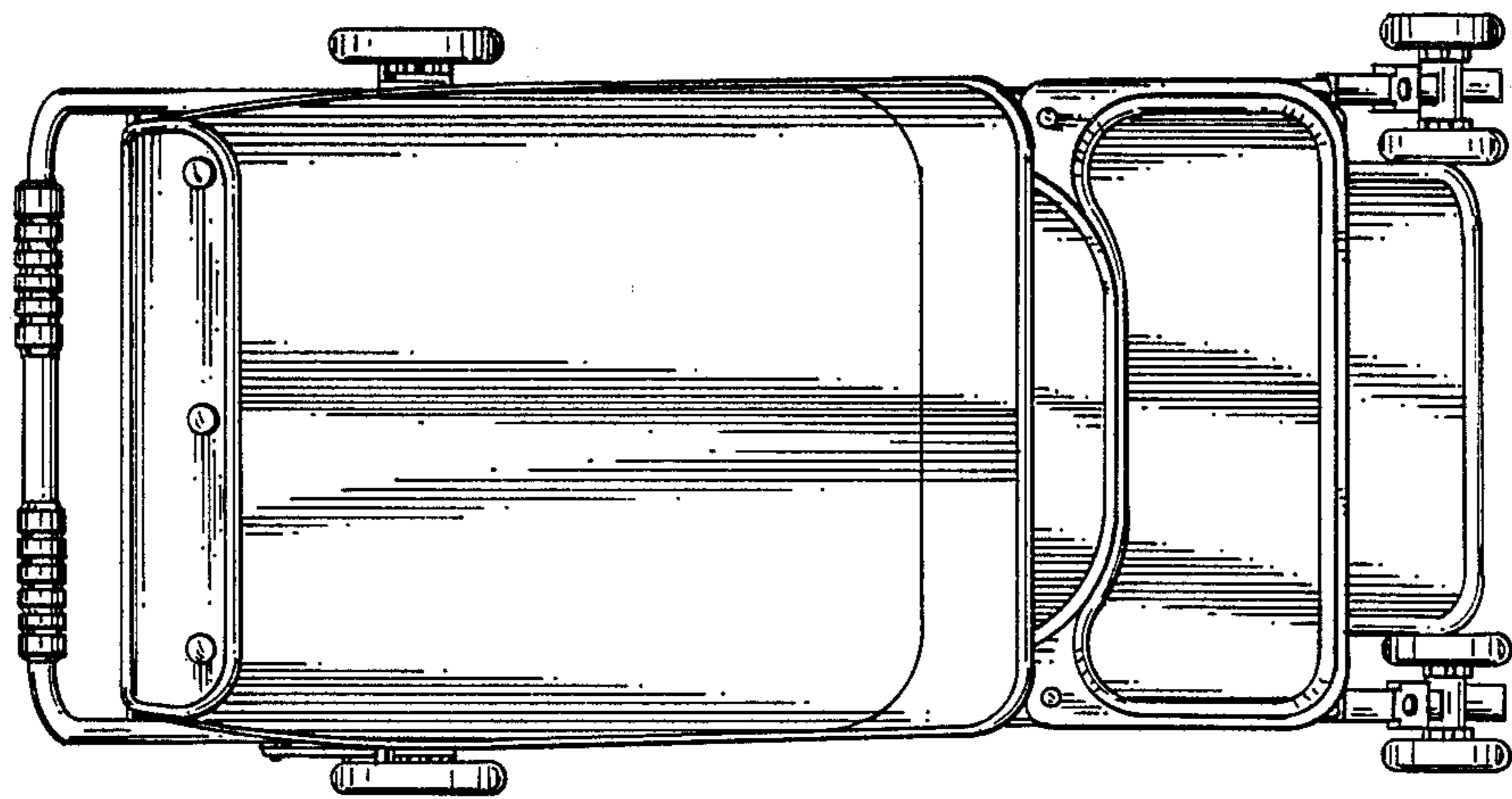


Fig. 4

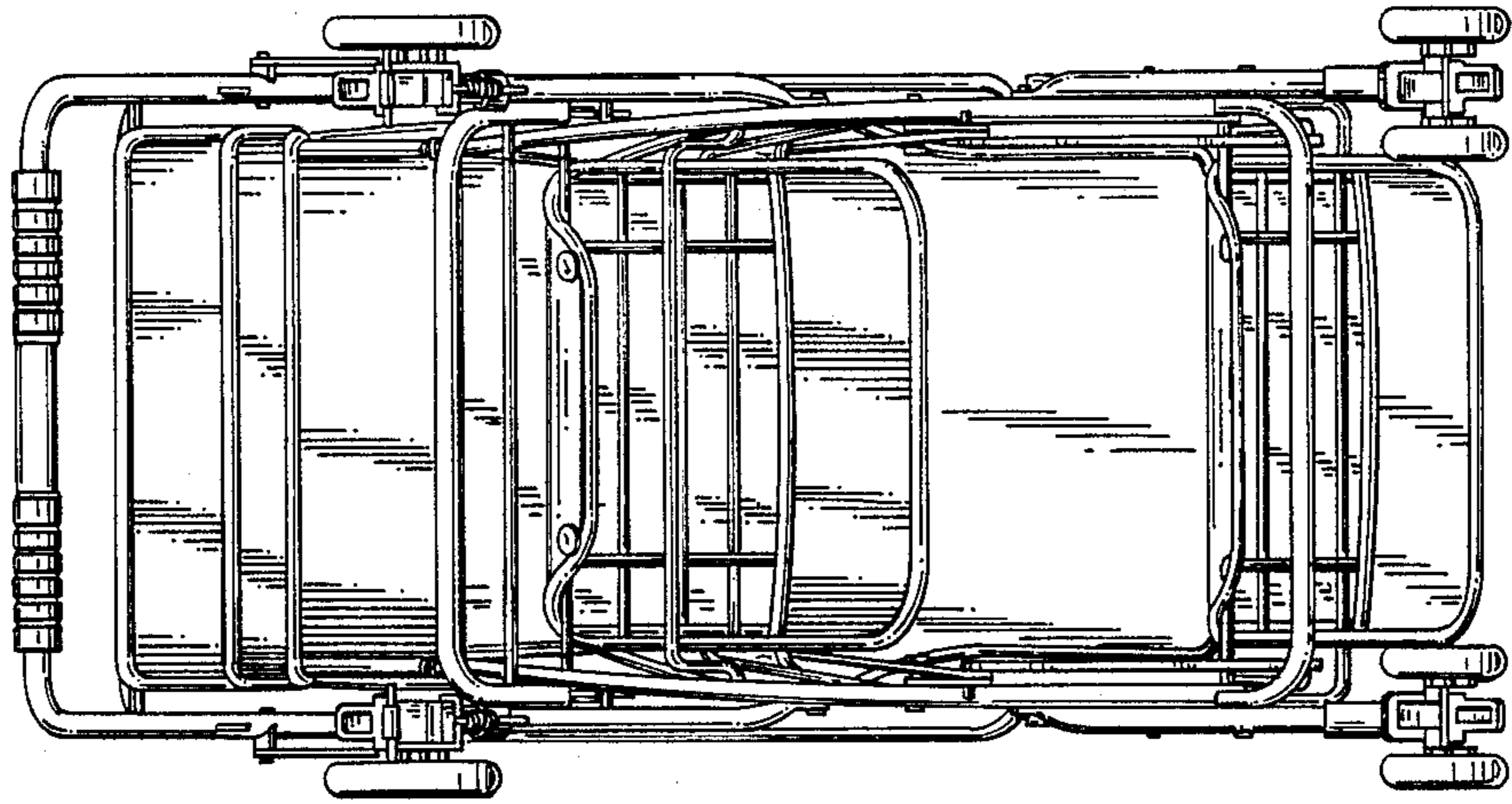


Fig. 5

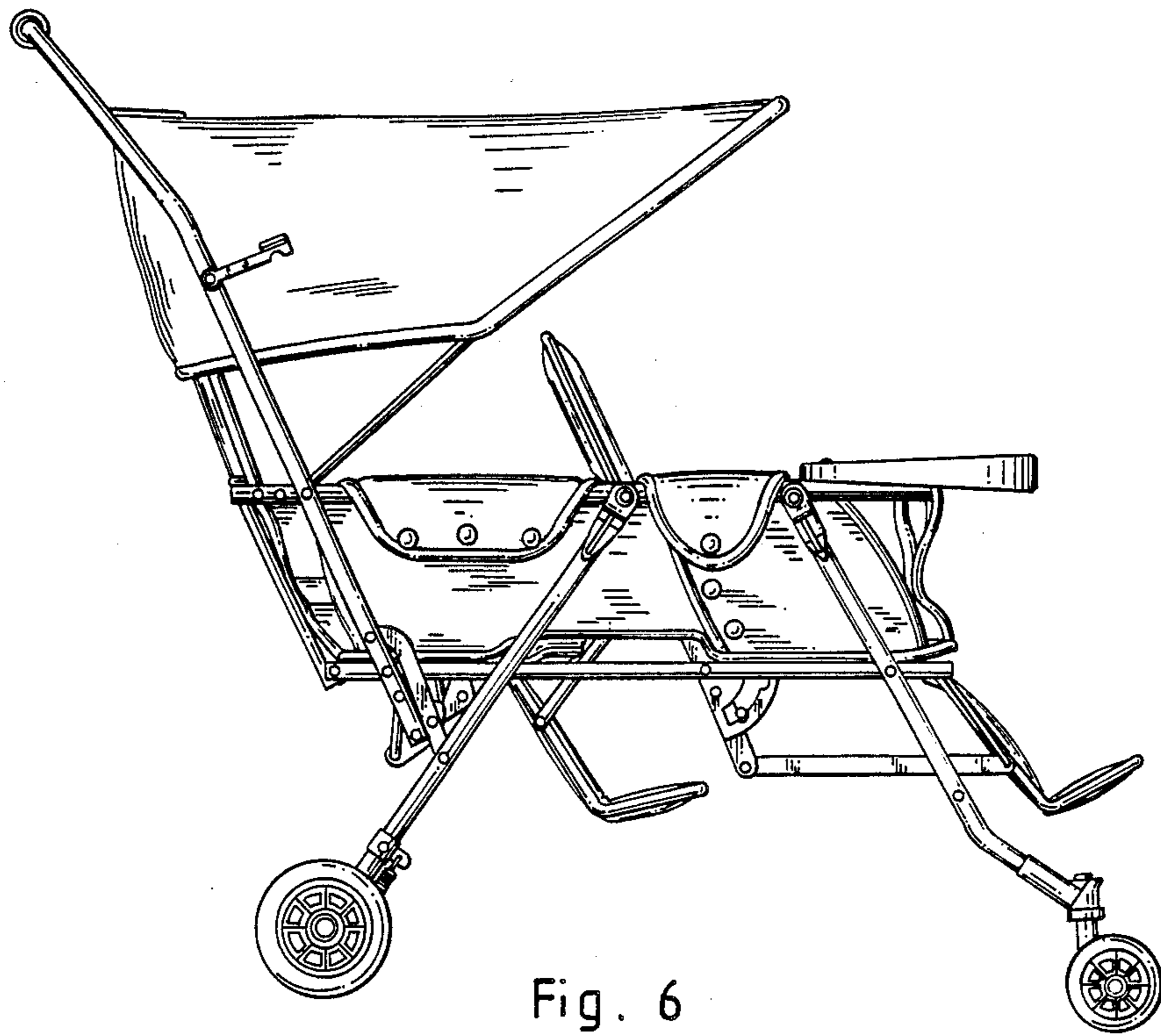


Fig. 6

UNITED STATES PATENT AND TRADEMARK OFFICE
CERTIFICATE OF CORRECTION

PATENT NO. : Des. 305,316

DATED : January 2, 1990

INVENTOR(S) : Chih-Chung Lin

It is certified that error appears in the above-identified patent and that said Letters Patent is hereby corrected as shown below:

Title page:

The inventor's name has been changed from "Chin-Chung Lin"
to --Chih-Chung Lin--

Signed and Sealed this
Twenty-seventh Day of November, 1990

Attest:

Attesting Officer

HARRY F. MANBECK, JR.

Commissioner of Patents and Trademarks