

[54] **TRUCK TOOL BOX**

[76] **Inventor:** Nevin R. Fletcher, 11286 Roxabel St.,
Santa Fe Springs, Calif. 90670

[**] **Term:** 14 Years

[21] **Appl. No.:** 65,724

[22] **Filed:** Jun. 24, 1987

[52] **U.S. Cl.** D12/157

[58] **Field of Search** D12/157; D3/40;
296/37.8, 24.1; 224/273, 42.11, 42.42, 311

[56] **References Cited**

U.S. PATENT DOCUMENTS

2,616,754	11/1952	Stahl	296/24.1
2,722,352	11/1955	Dehnel	296/24.1
3,799,605	3/1974	Silva	296/24.1
3,826,529	7/1974	Wood	296/24.1
4,685,695	8/1987	Le Vee	296/24.1

OTHER PUBLICATIONS

American Van Equipment, Inc. Catalog 23, Fall 1984,

p. 21, Heavy Duty Side Mount Box, top left side of page.

Primary Examiner—James M. Gandy
Attorney, Agent, or Firm—Herbert C. Schulze

[57] **CLAIM**

The ornamental design for a truck tool box, as shown.

DESCRIPTION

FIG. 1 is a left top front perspective view of the truck tool box of my new design showing pull out drawers partially extended;

FIG. 2 is a right front top perspective view thereof showing the top cover partially opened;

FIG. 3 is a left side elevation view thereof;

FIG. 4 is a top plan view thereof;

FIG. 5 is a back end elevation view thereof;

FIG. 6 is a front elevation view thereof;

FIG. 7 is a bottom plan view thereof; and

FIG. 8 is a right side elevation view thereof.

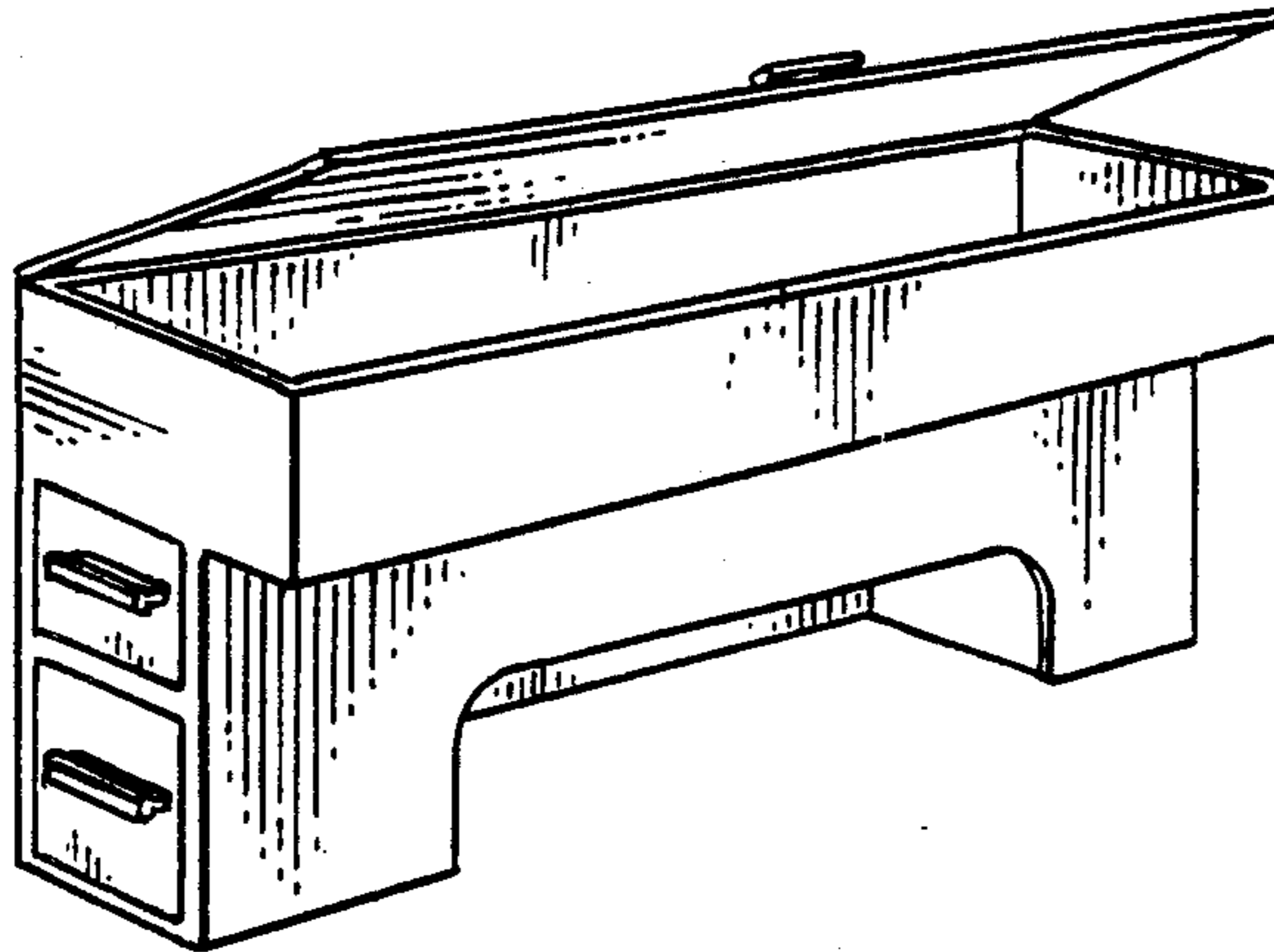


FIG. 1.

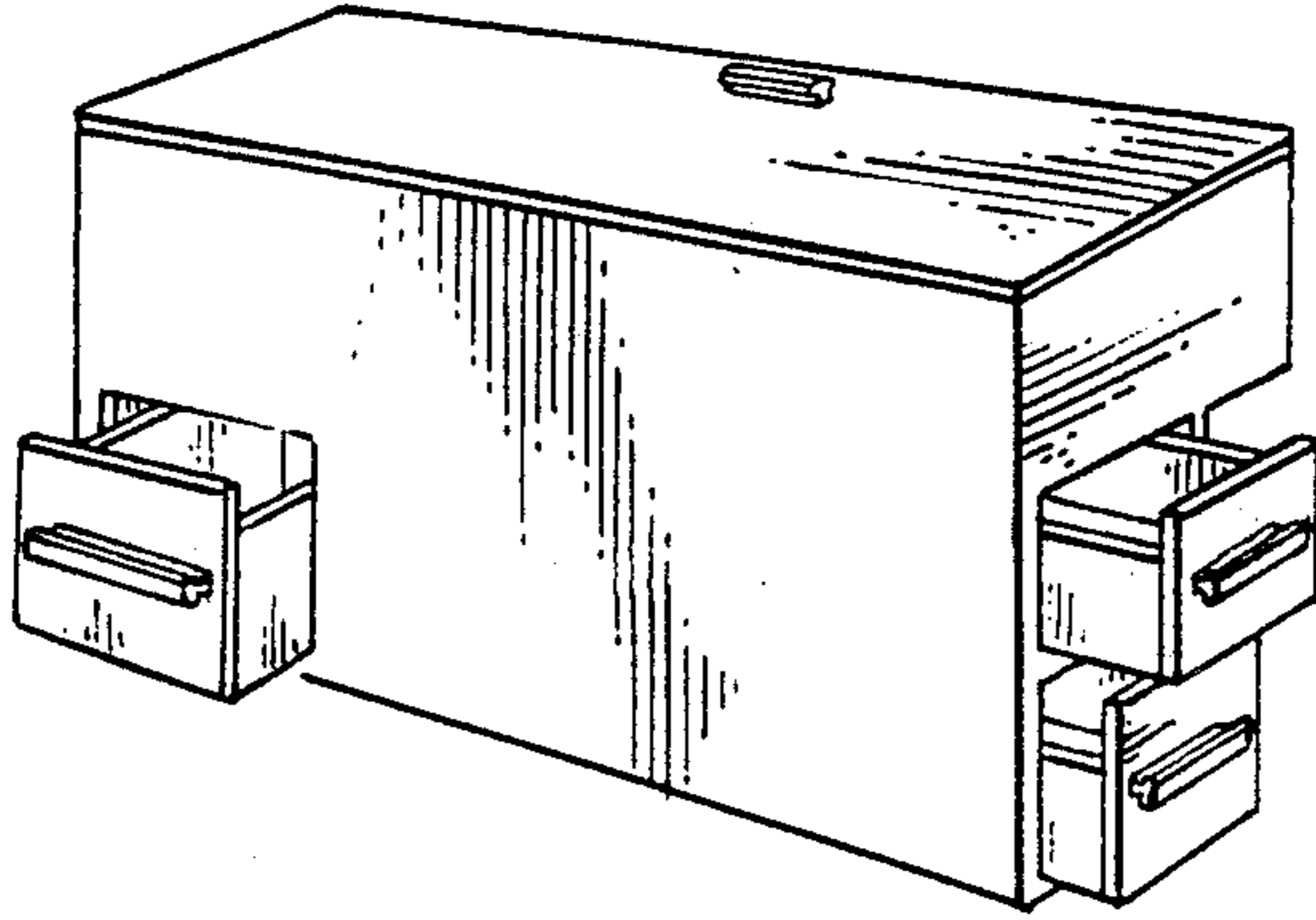


FIG. 2.

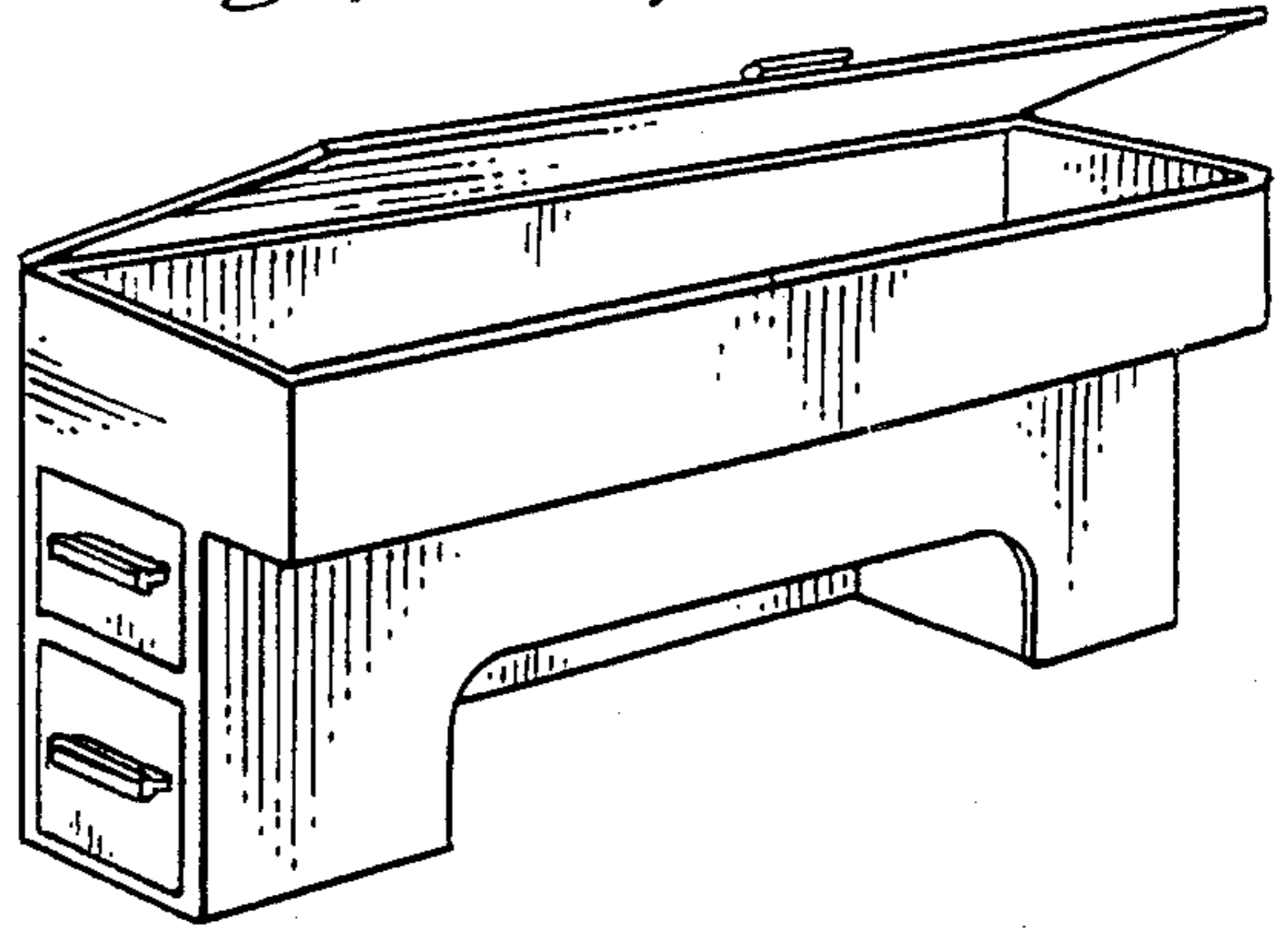


FIG. 4.

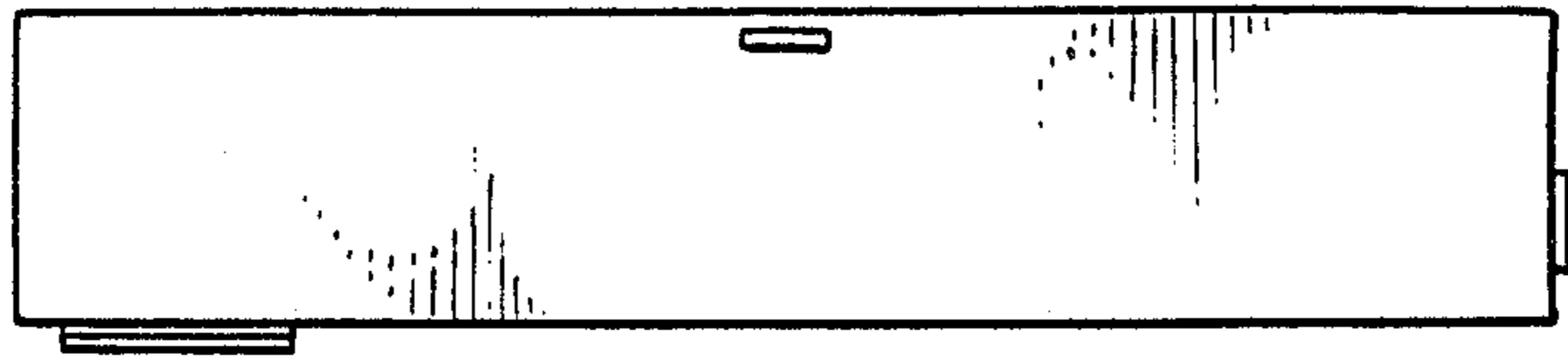


FIG. 5.

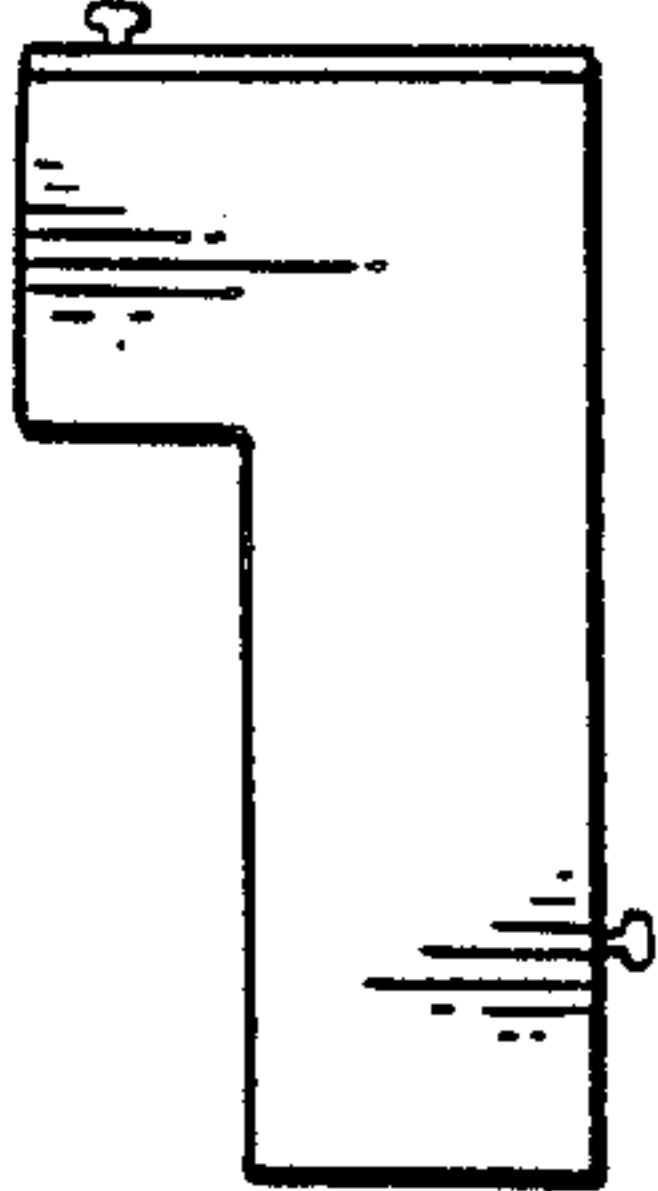


FIG. 3.

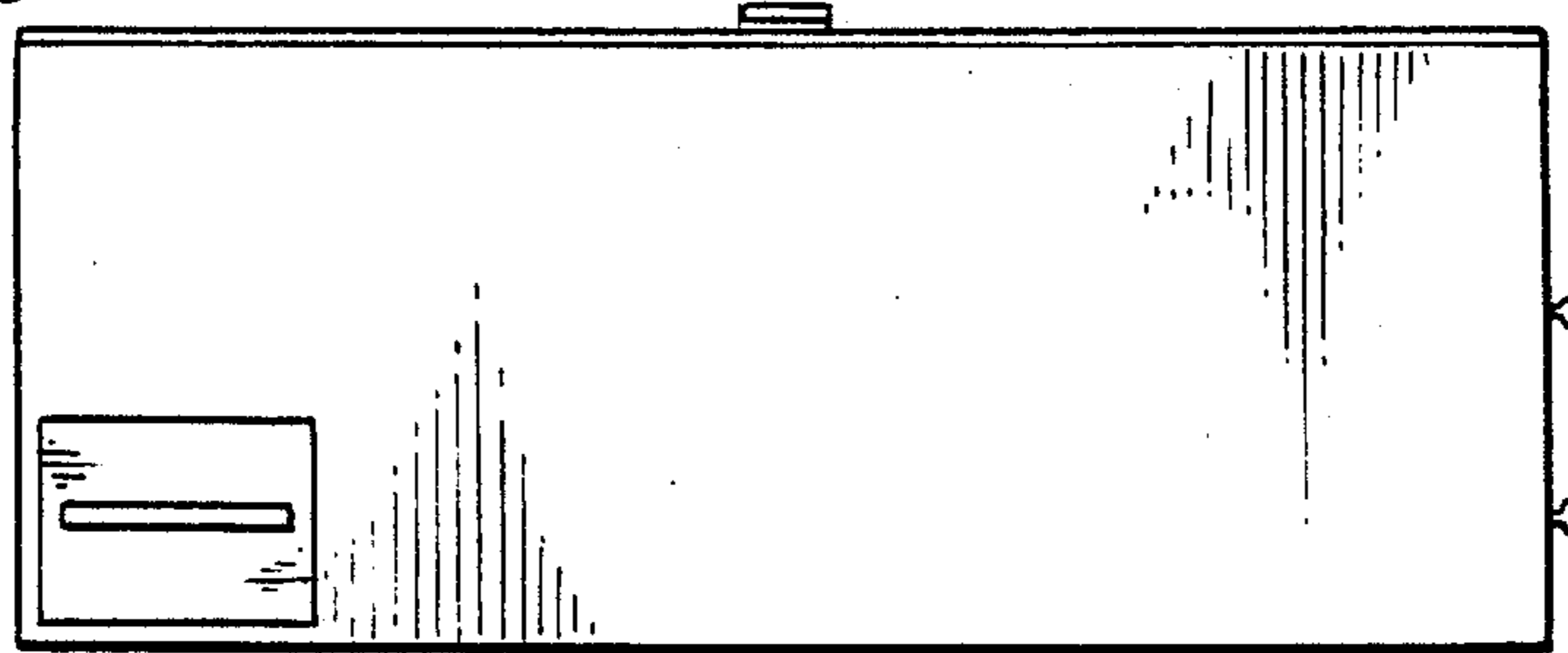


FIG. 6.

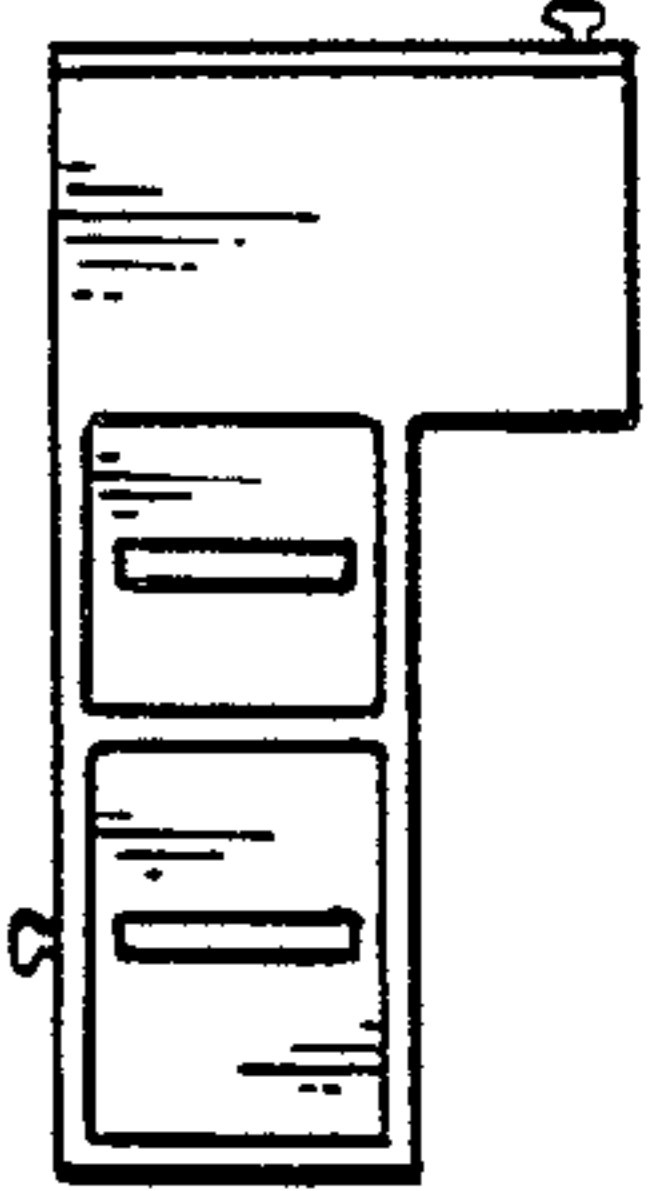


FIG. 7.

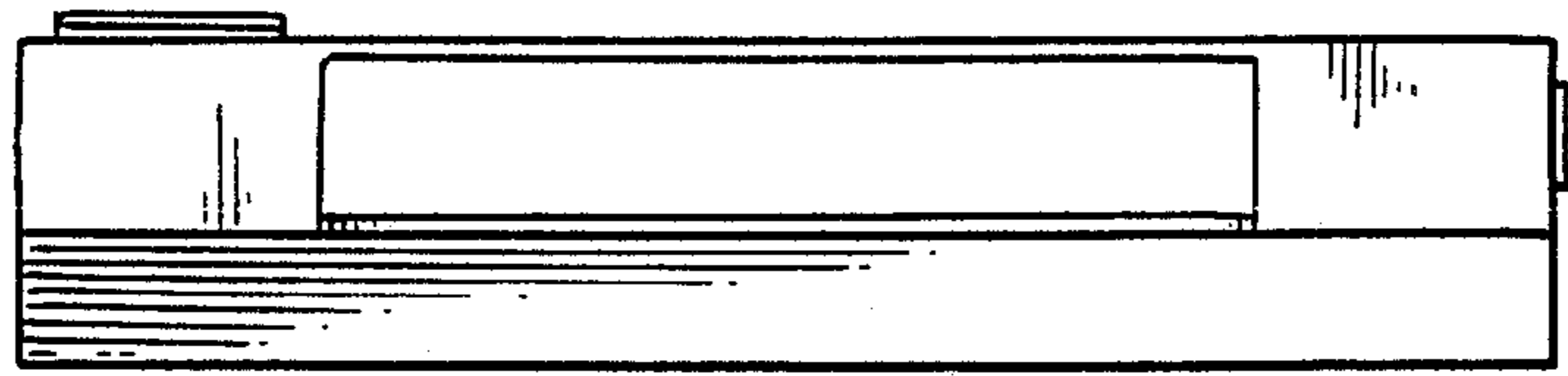


FIG. 8.

