

United States Patent [19]

Pavely et al.

[11] Patent Number: **Des. 305,305**

[45] Date of Patent: **** Jan. 2, 1990**

[54] **CAN CLOSURE**

[75] Inventors: **Andrew P. Pavely, Blunsdon; Joseph S. Taylor, Marcham, both of England**

[73] Assignee: **MG Group plc, Reading, England**

[**] Term: **14 Years**

[21] Appl. No.: **945,468**

[22] Filed: **Dec. 23, 1986**

[30] **Foreign Application Priority Data**

Jun. 26, 1986 [GB] United Kingdom 1035009

[52] U.S. Cl. **D9/438**

[58] Field of Search D9/434, 435, 438, 368;
220/260, 269-274; 222/80, 841

[56] **References Cited**

U.S. PATENT DOCUMENTS

D. 243,157 1/1977 Zundel D9/438

D. 265,463 7/1982 Hasegawa D9/438
D. 285,661 9/1986 Brownbill D9/438
3,874,555 4/1975 Patarini et al. D9/438
4,356,929 11/1985 Kuhn et al. 220/270

Primary Examiner—Bernard Ansher
Assistant Examiner—Prabhakar Deshmukh
Attorney, Agent, or Firm—Burns, Doane, Swecker & Mathis

[57] **CLAIM**

The ornamental design for a can closure, as shown.

DESCRIPTION

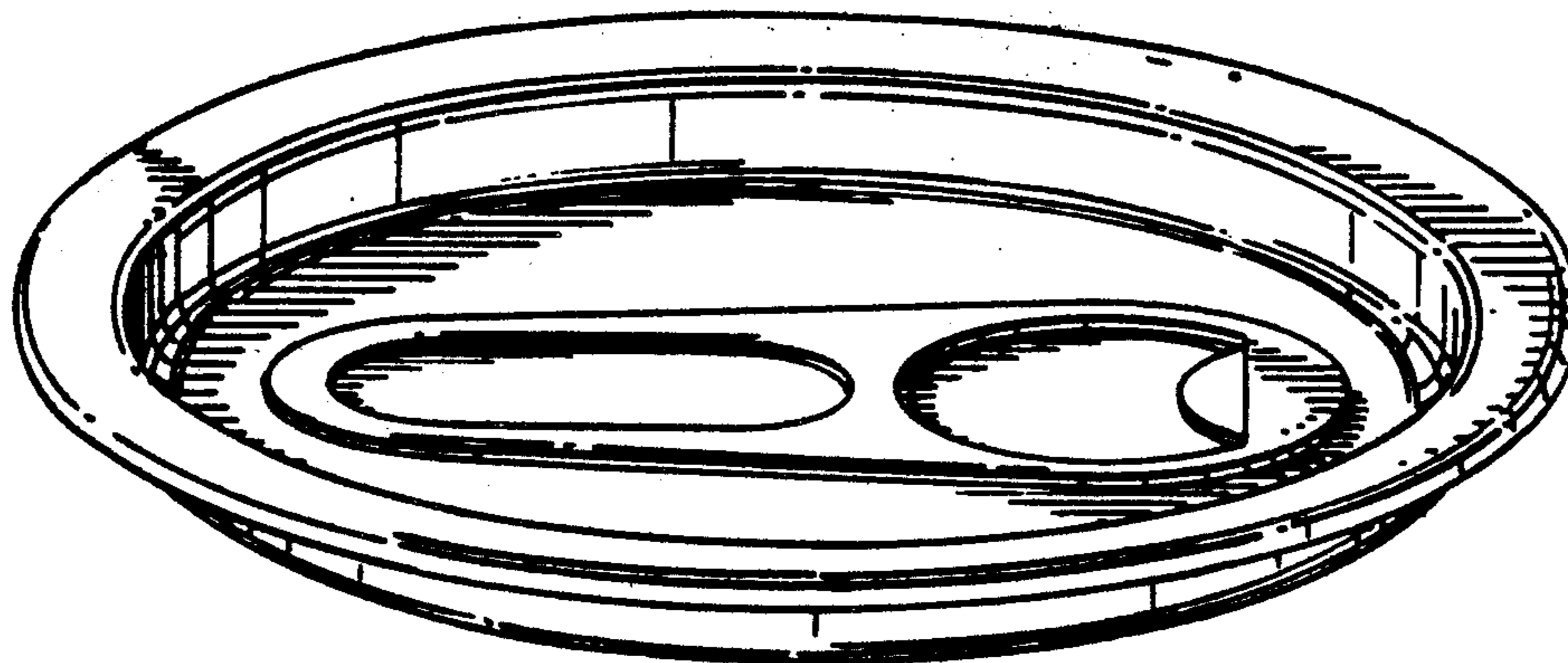
FIG. 1 is a perspective view of a can closure showing my new design;

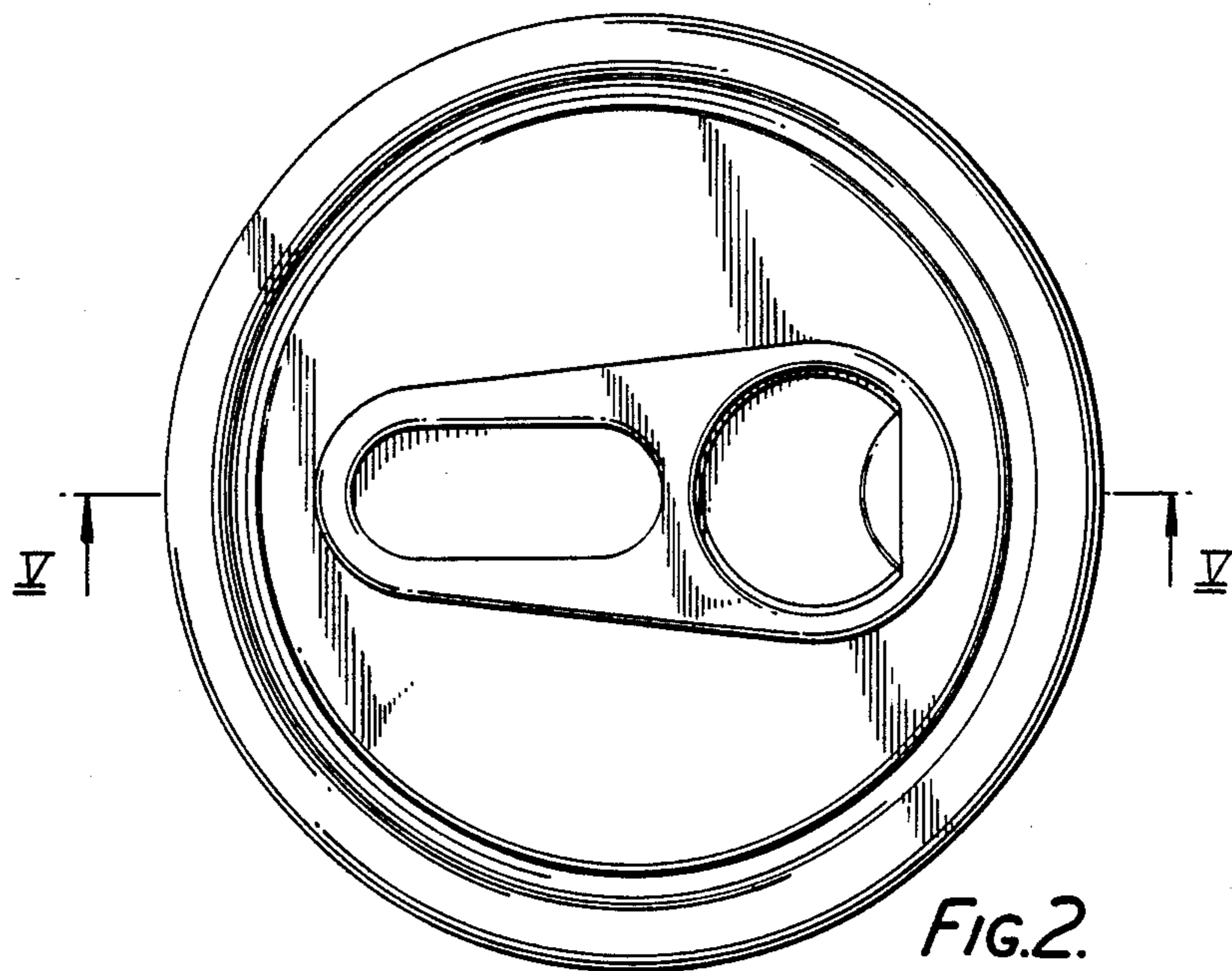
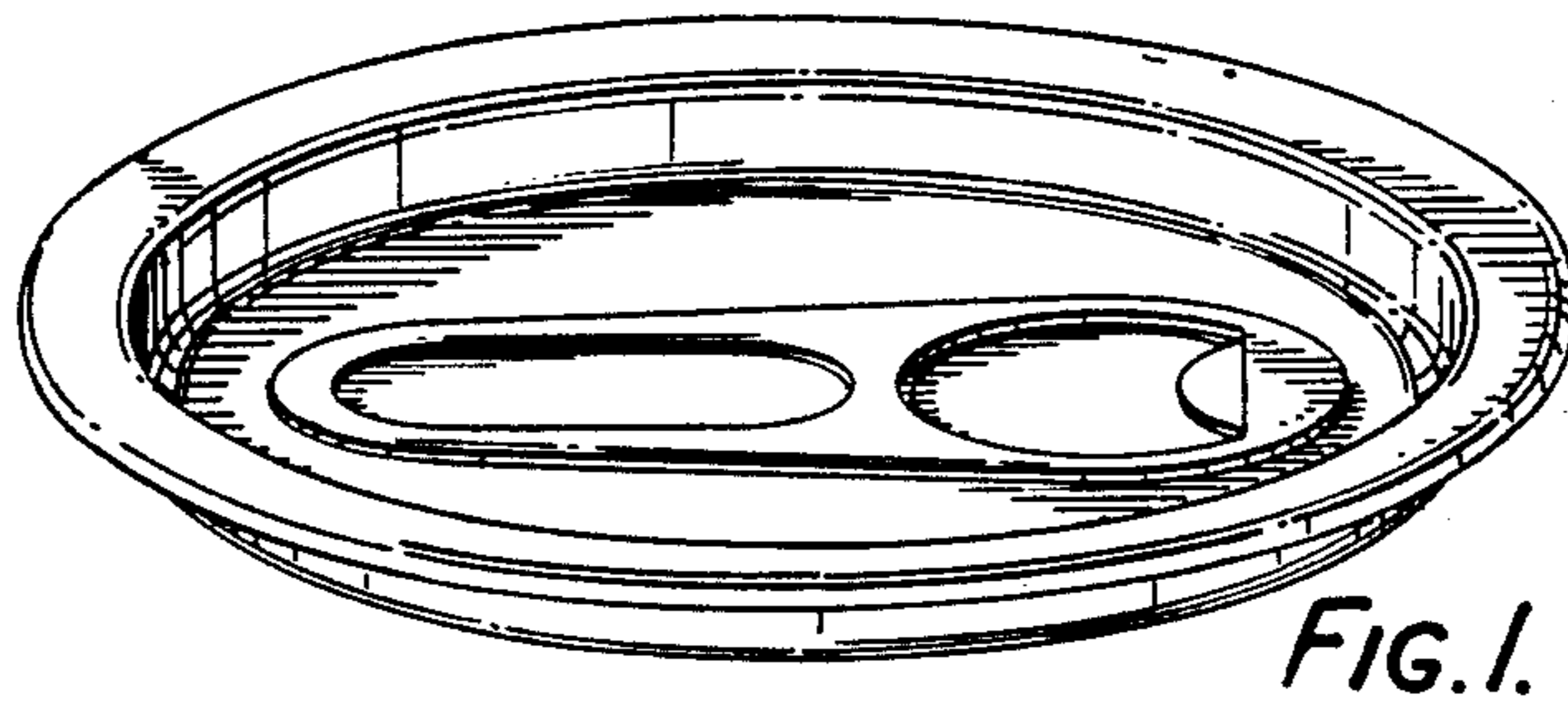
FIG. 2 is a top plan view thereof;

FIG. 3 is a bottom plan view thereof;

FIG. 4 is a side elevation view thereof; and

FIG. 5 is a sectional view along the line V—V of FIG. 4.





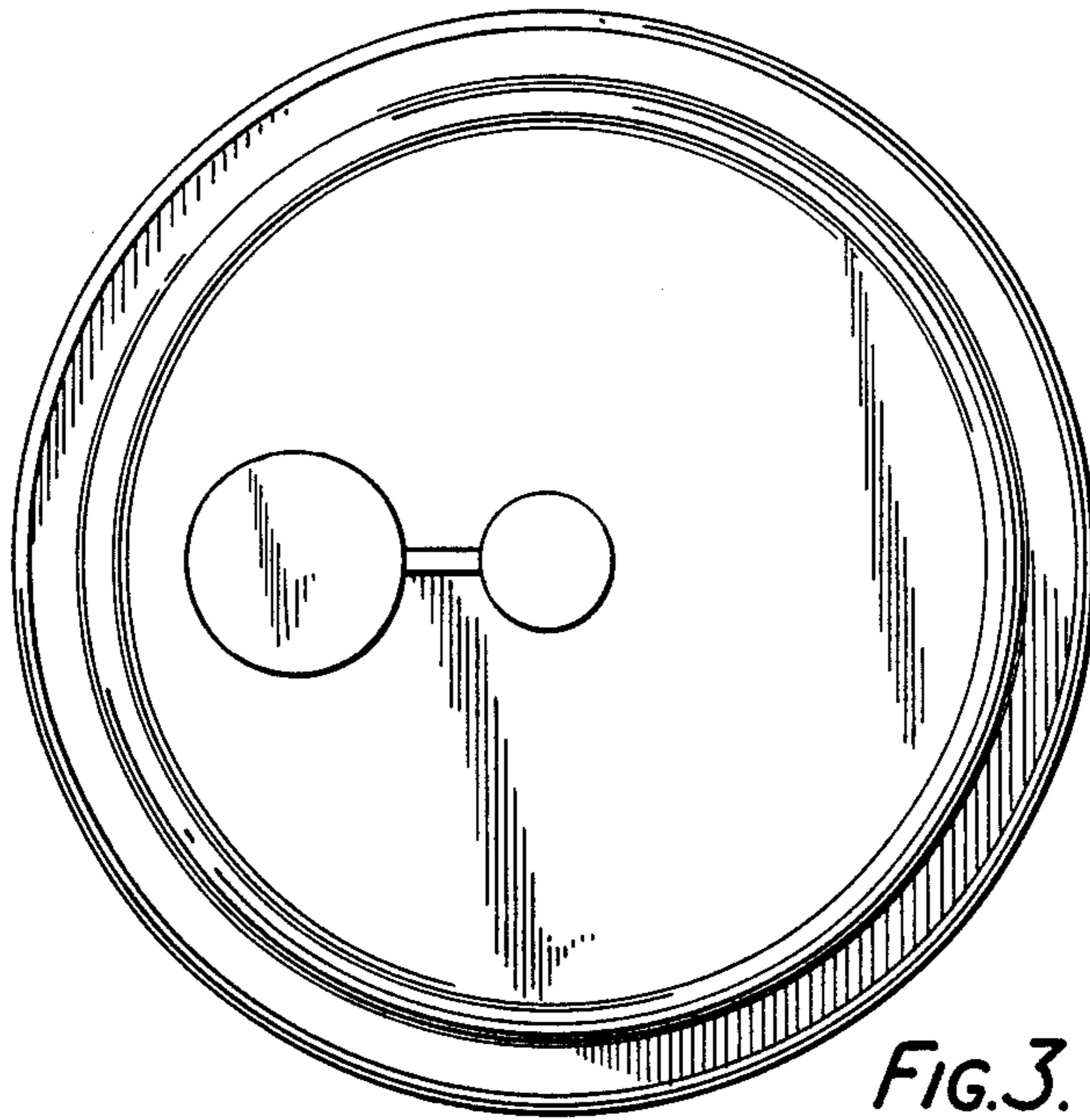


FIG. 3.

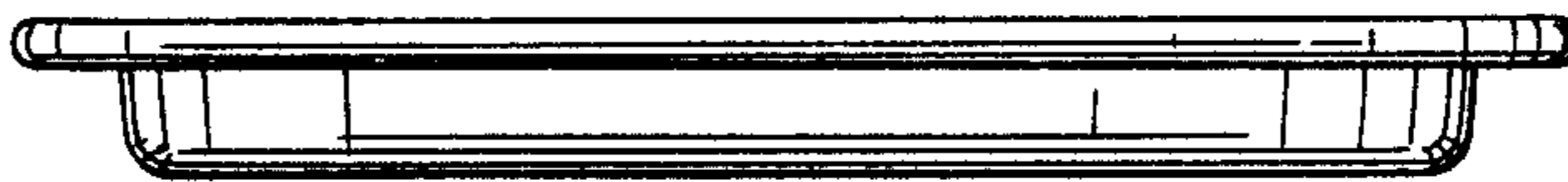


FIG. 4.



FIG. 5.