

[54] **FOOD SERVING CARTON**
[75] **Inventor: Philip McCaleb, Chicago, Ill.**
[73] **Assignee: P. Freetly's, Inc., Chicago, Ill.**
[**] **Term: 14 Years**
[21] **Appl. No.: 112,425**
[22] **Filed: Oct. 26, 1987**
[52] **U.S. Cl. D9/418**
[58] **Field of Search D9/414-433,
D9/436, 455; 206/9, 541, 217, 218; 229/1.5 H,
904; 220/23.83, 23.86, 85 H**

4,155,502 5/1979 Forte 229/904 X
4,429,789 2/1984 Puckett, Jr. 220/20 X
4,491,220 1/1985 Daviss 206/218 X
4,620,631 11/1986 Bartelt 206/218 X

Primary Examiner—B. J. Bullock
Assistant Examiner—Prabhakar Deshmukh
Attorney, Agent, or Firm—McCaleb, Lucas & Brugman

[57] **CLAIM**

The ornamental design for a food serving carton, as shown and described.

DESCRIPTION

FIG. 1 is an enlarged perspective view of a food serving carton showing my new design;
FIG. 2 is a front elevational view thereof;
FIG. 3 is a rear elevational view thereof;
FIG. 4 is a right side elevational view thereof;
FIG. 5 is a left side elevational view thereof;
FIG. 6 is a top plan view thereof; and
FIG. 7 is a bottom plan view thereof.

[56] **References Cited**
U.S. PATENT DOCUMENTS
2,582,183 1/1952 Weidler 229/2.5
2,916,180 12/1959 Alger 220/23.86
3,128,984 4/1964 Palm 229/1.5 H
3,151,798 10/1964 Meagher 229/1.5 H
3,640,380 2/1972 Huffman 229/904 X

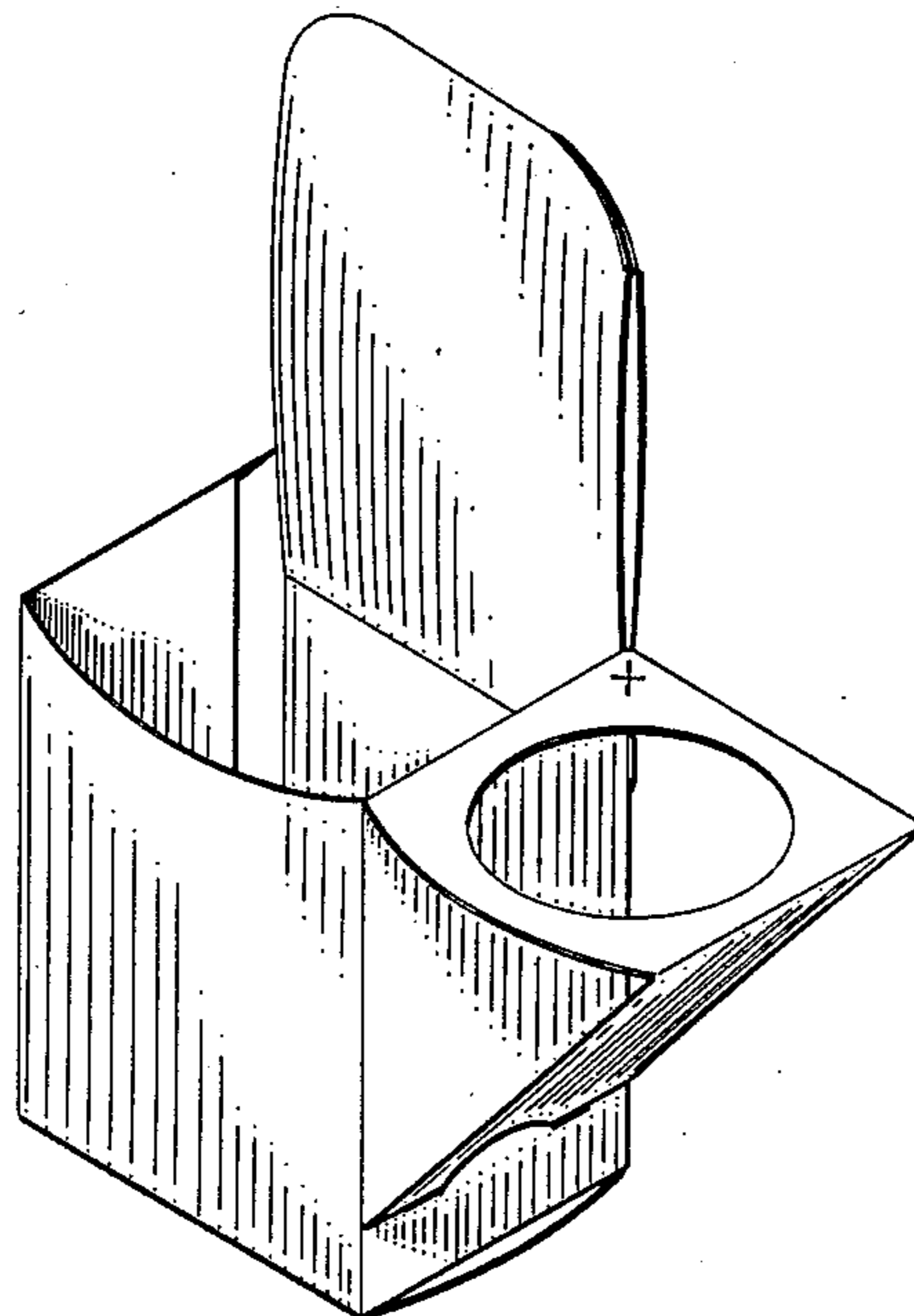


FIG. 2

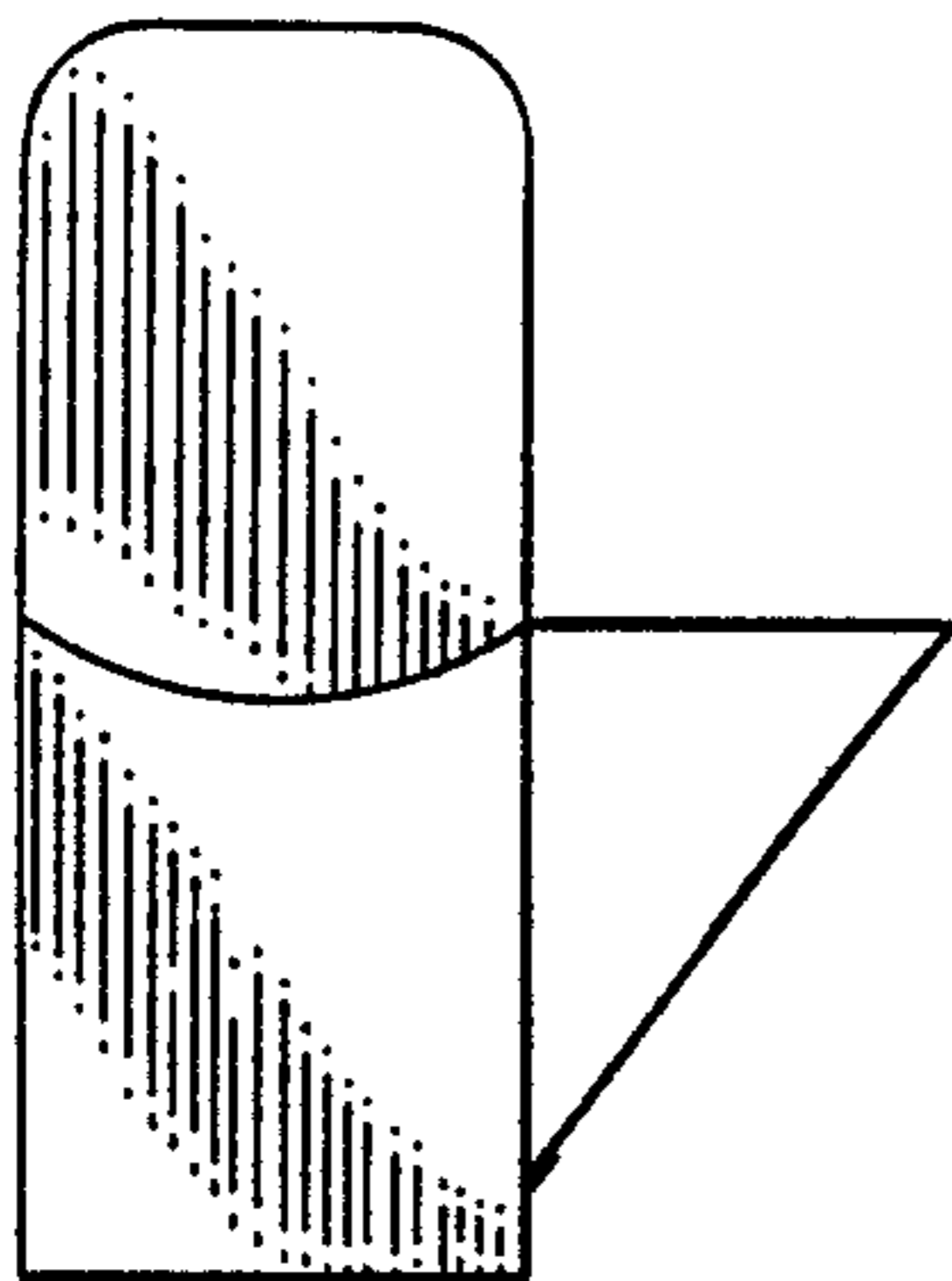


FIG. 3

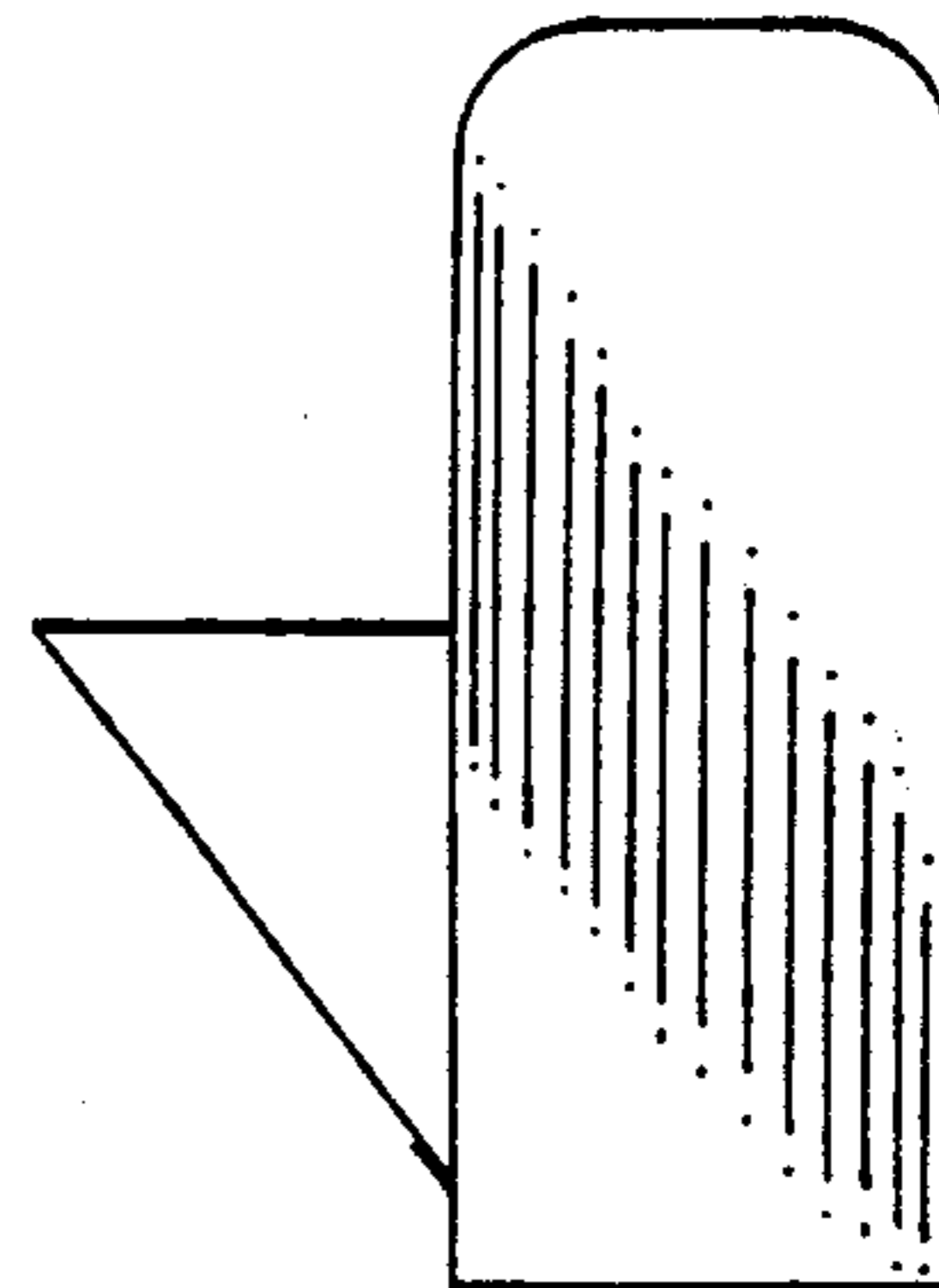


FIG. 1

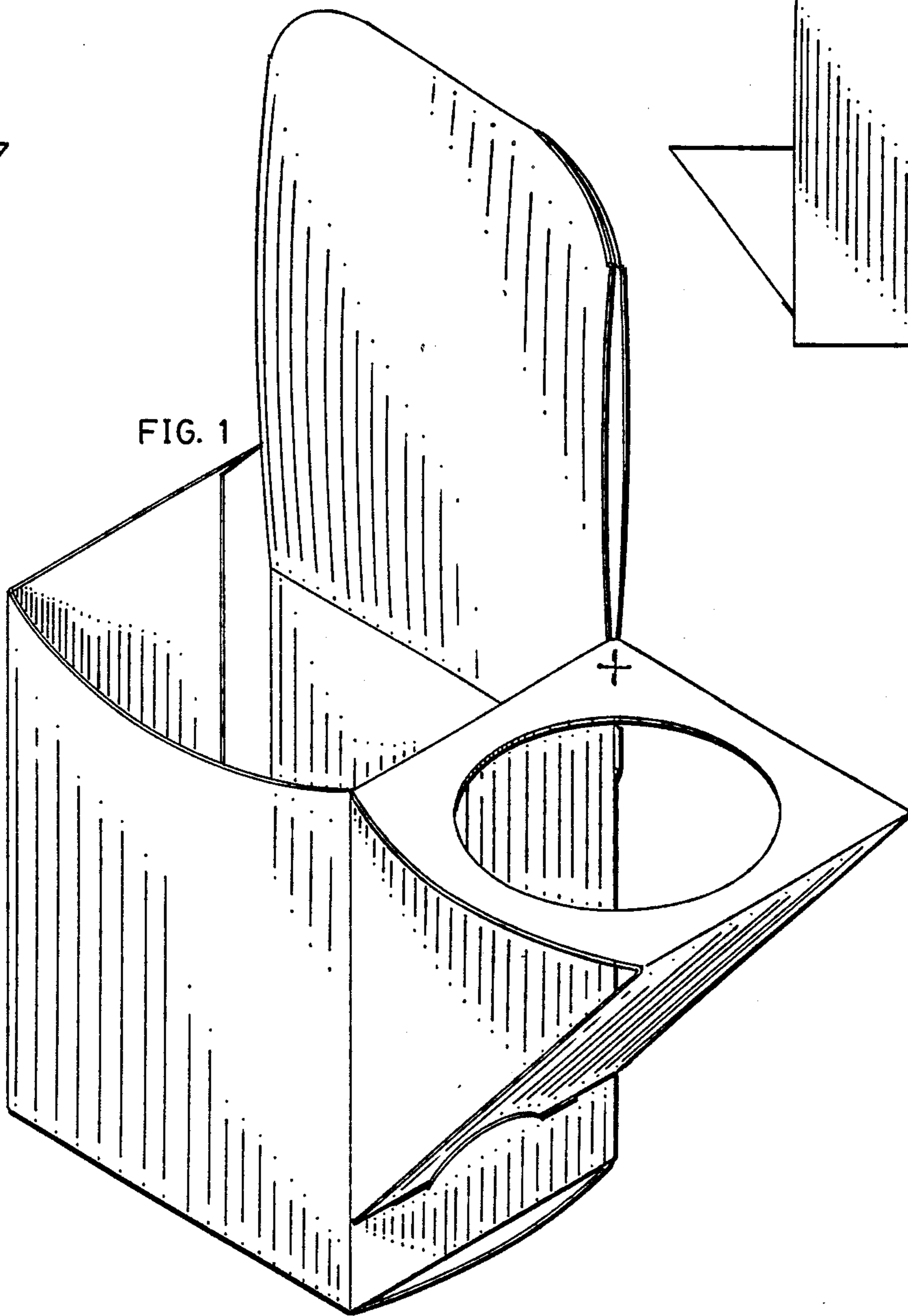


FIG. 4



FIG. 5

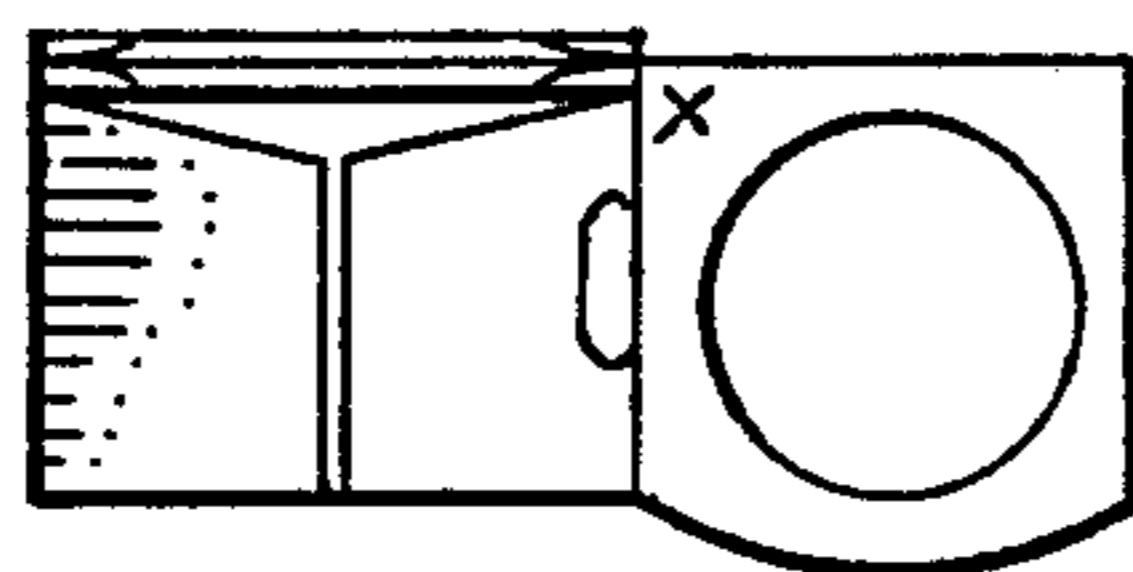


FIG. 6

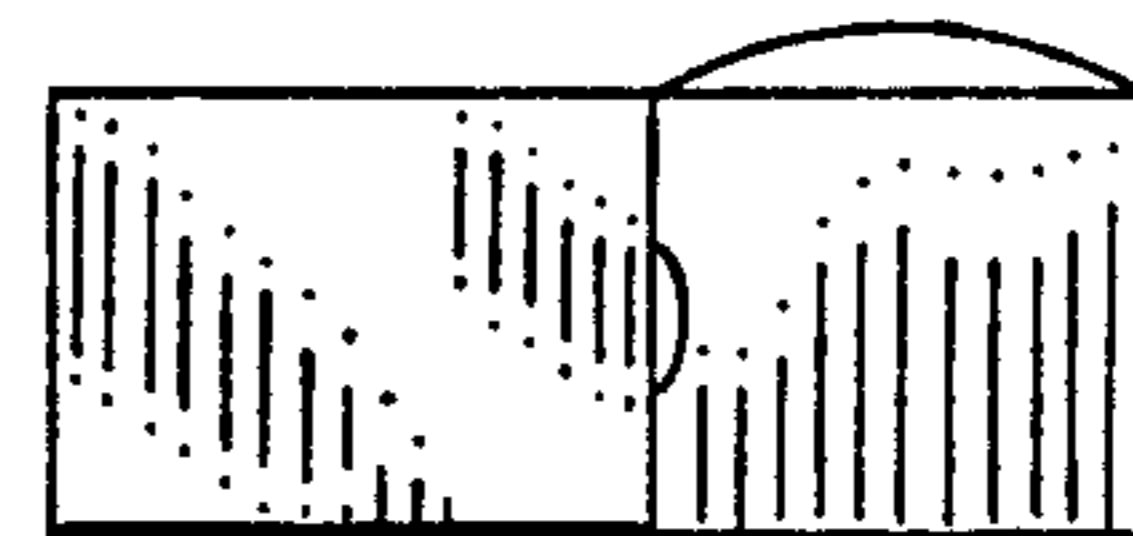


FIG. 7