

[54] WREATH HANGER FOR A GRAVE STONE OR SIMILAR ARTICLE

[76] Inventor: George V. Freeman, 115 Linden St., Hamilton, Mass. 01982

[\*\*] Term: 14 Years

[21] Appl. No.: 116,268

[22] Filed: Nov. 2, 1987

[52] U.S. Cl. .... D8/373; D8/371; 248/214; 248/215; 248/27.8

[58] Field of Search ..... D14/367, 373, 371, 370; 248/215, 214, 27.8, 301

[56] References Cited

U.S. PATENT DOCUMENTS

D. 285,410	9/1986	Webber	.....	D8/373	X
D. 290,931	7/1987	Powell	.....	D8/371	X
D. 301,012	5/1989	Possemato	.....	D8/373	
607,096	7/1898	Thacher	.....	248/215	
712,492	11/1902	Broga	.....	248/215	
815,813	3/1906	Graham	.....	248/215	X
895,047	8/1908	Schraudner	.....	248/215	X
1,447,636	3/1923	White	.....	248/301	
2,743,023	4/1956	Larson	.....	248/215	X
3,145,847	8/1964	Clement	.....	248/27.8	X
3,181,827	5/1965	Sassin	.....	248/301	X

3,279,620	10/1966	Nesbitt	.....	248/214	X
3,310,911	3/1967	Boser et al.	.....	248/27.8	X
3,511,461	5/1970	Clark	.....	248/27.8	
3,907,118	9/1975	Pelavin	.....	248/214	X
4,042,200	8/1977	Overall	.....	248/214	X
4,059,248	11/1977	Kuntz	.....	248/214	
4,138,019	2/1979	Smith	.....	248/214	X
4,584,813	4/1986	Hudson	.....	248/214	X
4,709,891	12/1987	Barnett	.....	248/214	

FOREIGN PATENT DOCUMENTS

101408	6/1938	Sweden	.....	248/215	
--------	--------	--------	-------	---------	--

Primary Examiner—Horace B. Fay, Jr.  
Attorney, Agent, or Firm—Edward A. Gordon

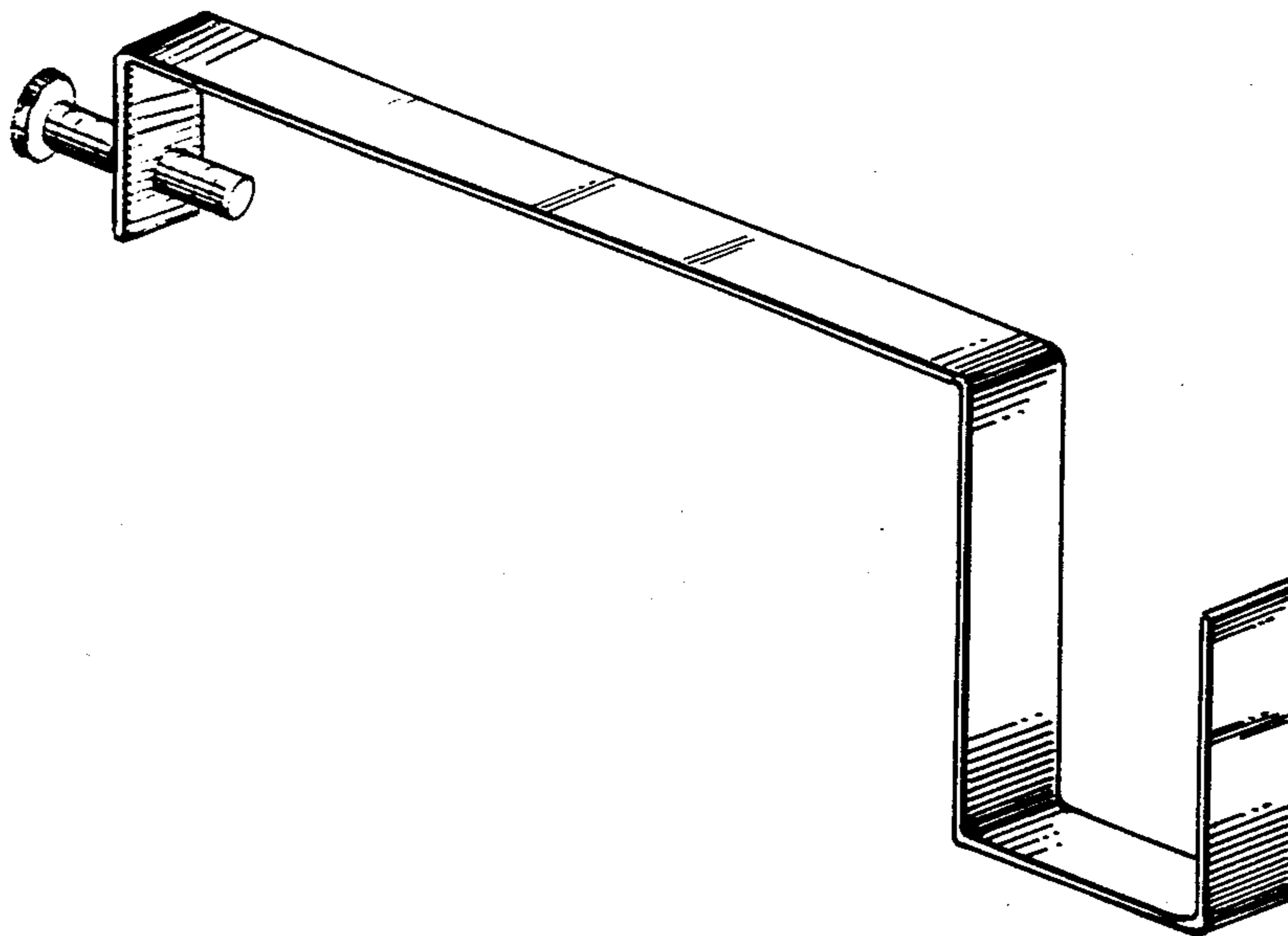
[57] CLAIM

The ornamental design for wreath hanger for a grave stone or similar article, as shown and described.

DESCRIPTION

FIG. 1 is a left side, top and front perspective view of a wreath hanger for a grave stone or a similar article showing my new design, and it is understood that a perspective view taken 180° opposite FIG. 1 is a mirror image thereof;

FIG. 2 is a top plan view thereof; and  
FIGS. 3 and 4 are respectively front and rear elevational views thereof.



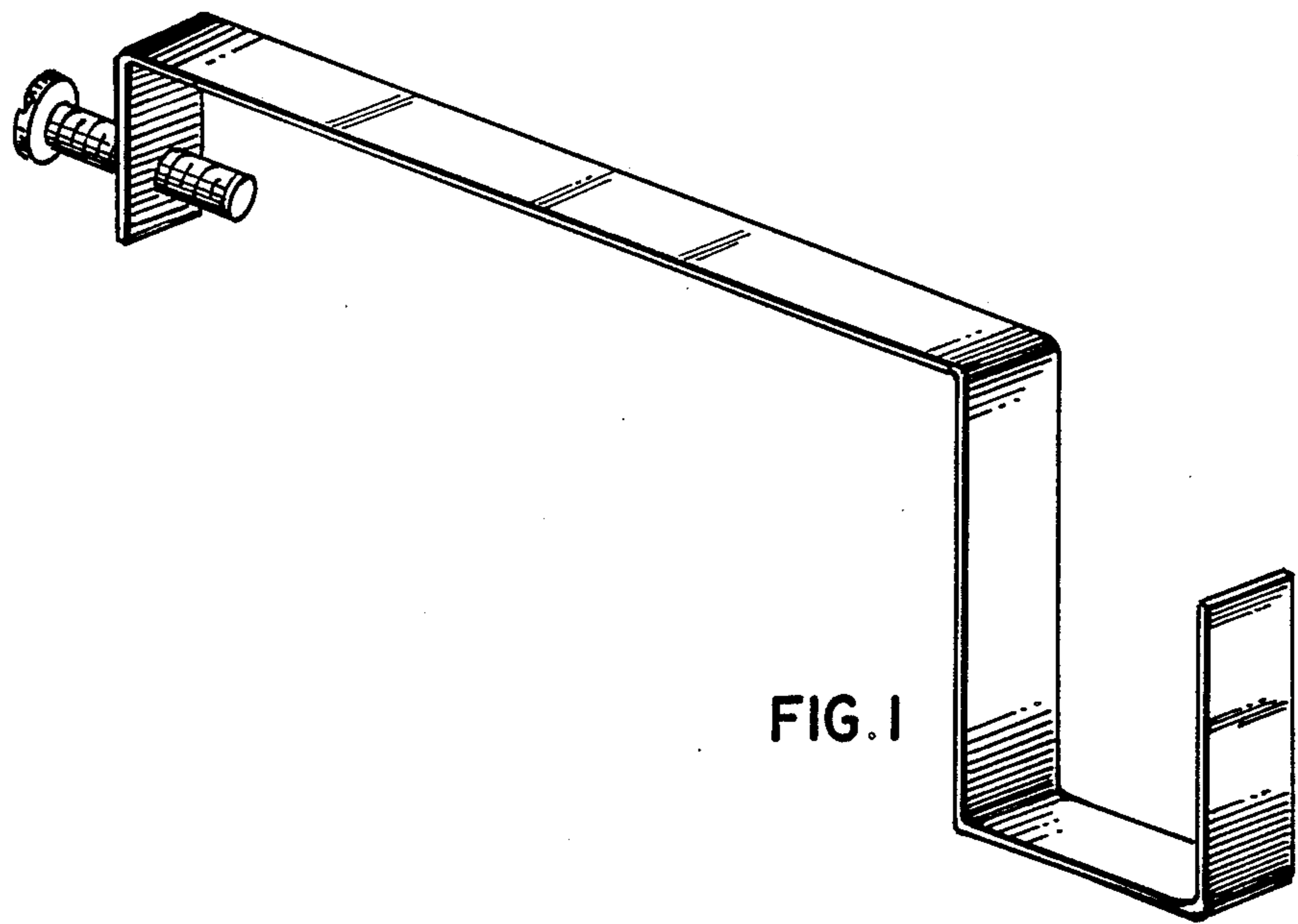


FIG. 1



FIG. 2



FIG. 3



FIG. 4