

[54] **VISOR HINGE**

[76] **Inventor:** Alan J. De Langie, 696 Glen Cairon Dr., Santa Maria, Calif. 93455

[**] **Term:** 14 Years

[21] **Appl. No.:** 68,321

[22] **Filed:** Jul. 1, 1987

[52] **U.S. Cl.** D8/323; D12/191

[58] **Field of Search** D8/323; D12/191; 16/221; 296/97.9, 97.11, 97.12, 97.13

[56] **References Cited**

U.S. PATENT DOCUMENTS

D. 298,427	11/1988	Jönsas	D12/191
3,374,031	3/1968	Dully	296/97.13
4,394,043	7/1983	Moulding et al.	296/97.9
4,428,612	1/1984	Viertel et al.	296/97.12

4,582,356	4/1986	Kaiser et al.	296/97.11
4,617,699	10/1986	De Langie	296/97.9

Primary Examiner—B. J. Bullock
Attorney, Agent, or Firm—Daniel C. McKown

[57] **CLAIM**

The ornamental design for a visor hinge, as shown and described.

DESCRIPTION

FIG. 1 is a rear, top and right side perspective view of a visor hinge showing my new design;

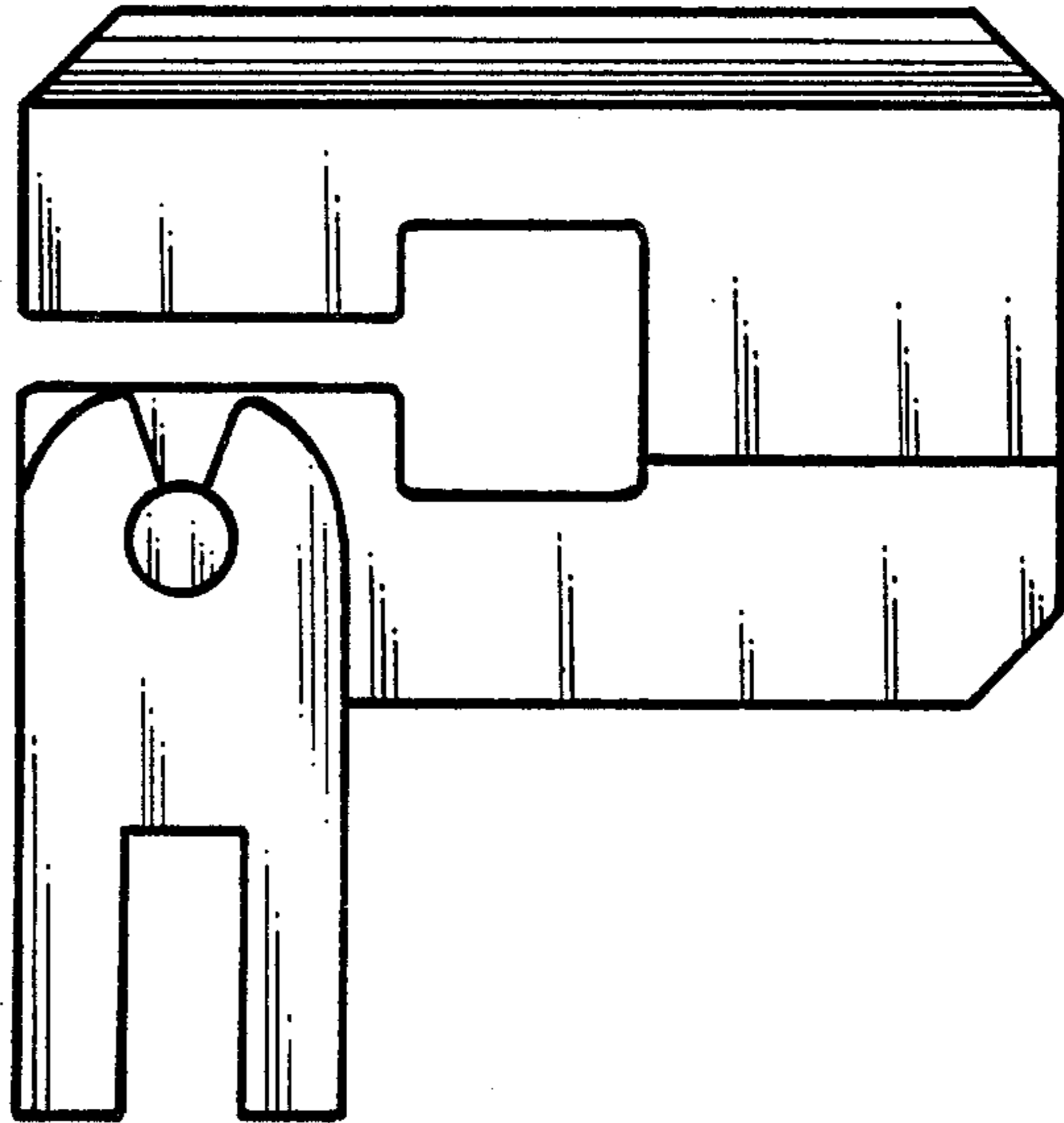
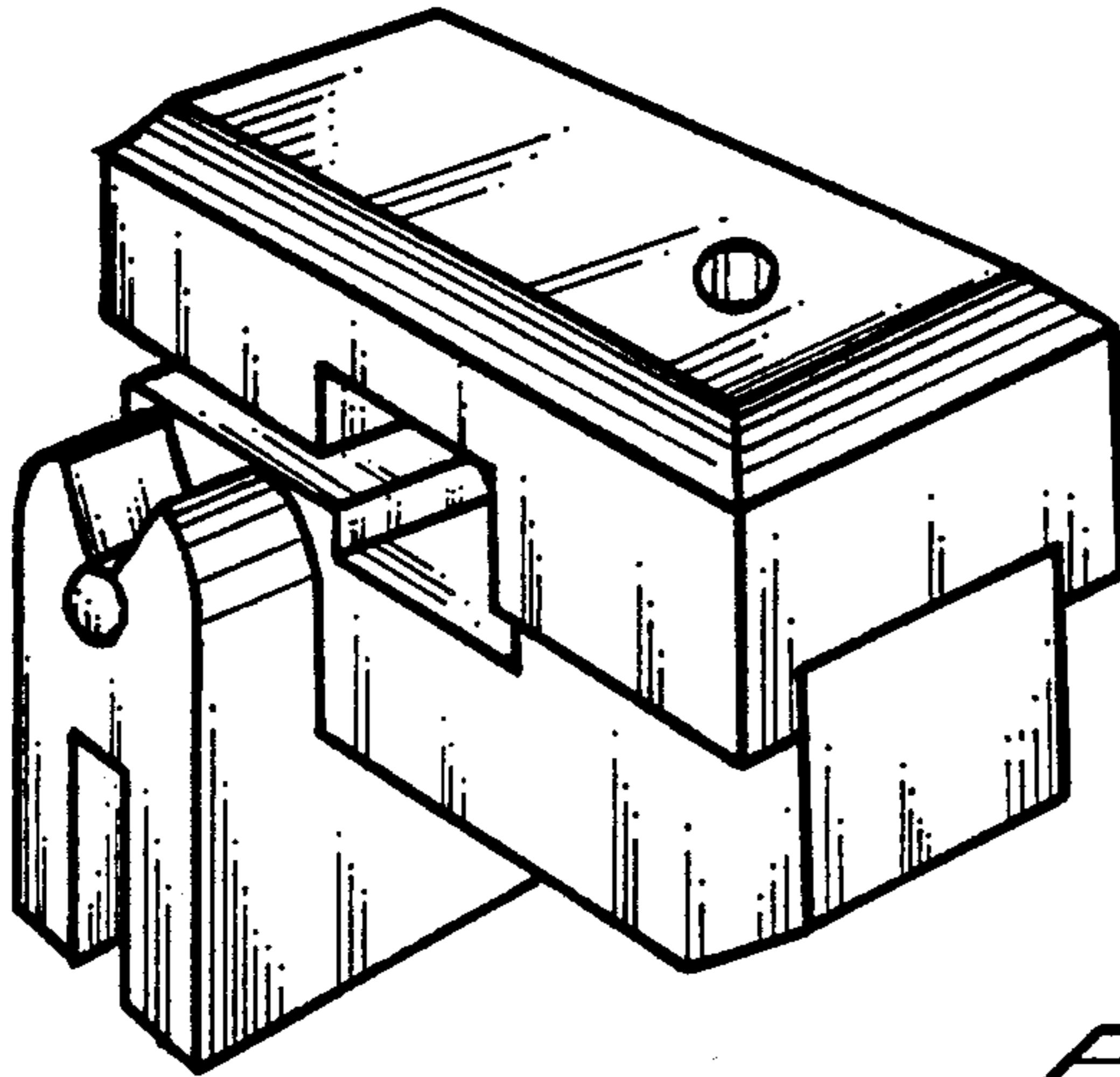
FIG. 2 is a right side elevational view, the left side being a mirror image;

FIG. 3 is a top view thereof;

FIG. 4 is a bottom view thereof;

FIG. 5 is a rear elevational view thereof; and

FIG. 6 is a front elevational view thereof.



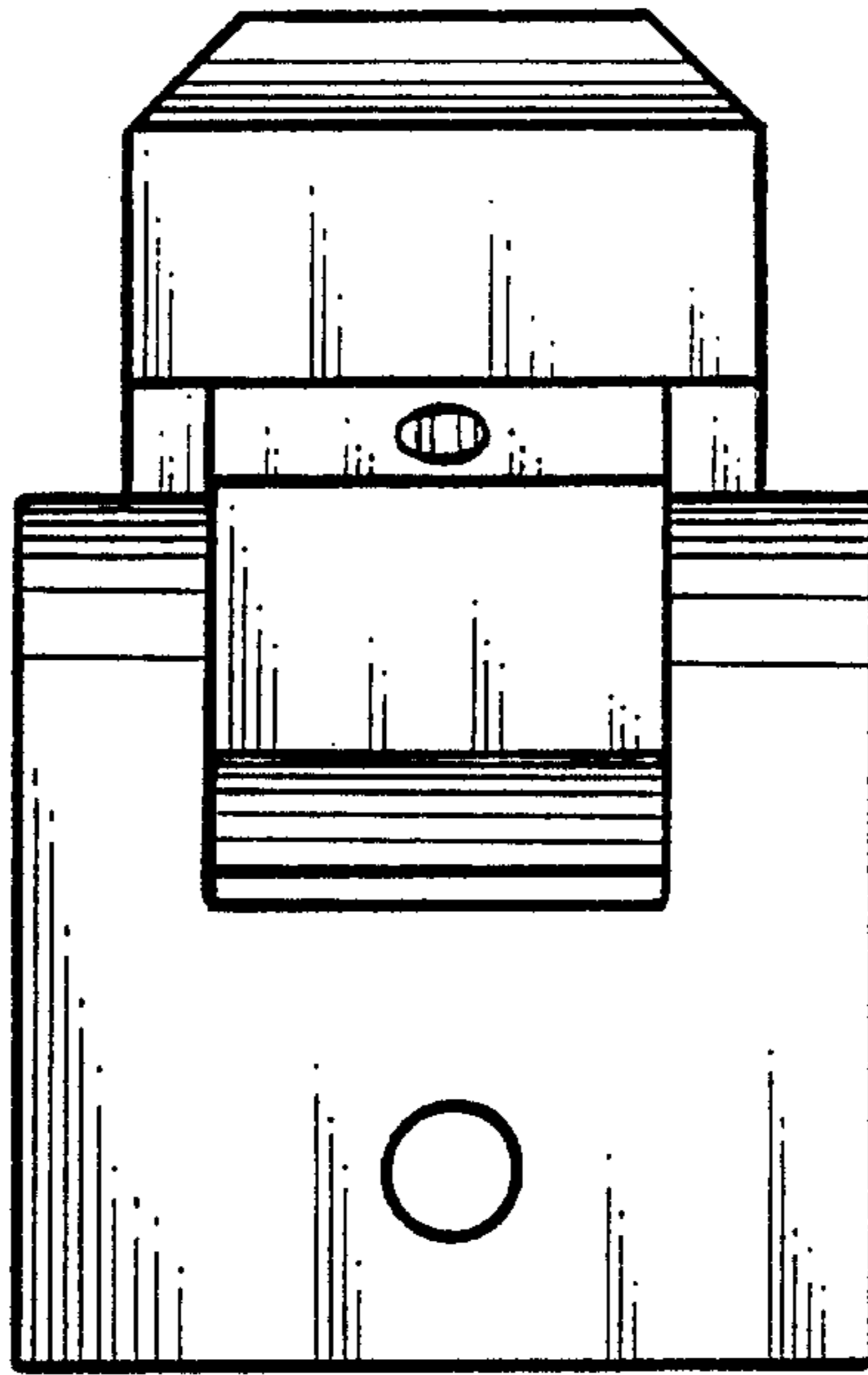


Fig. 6

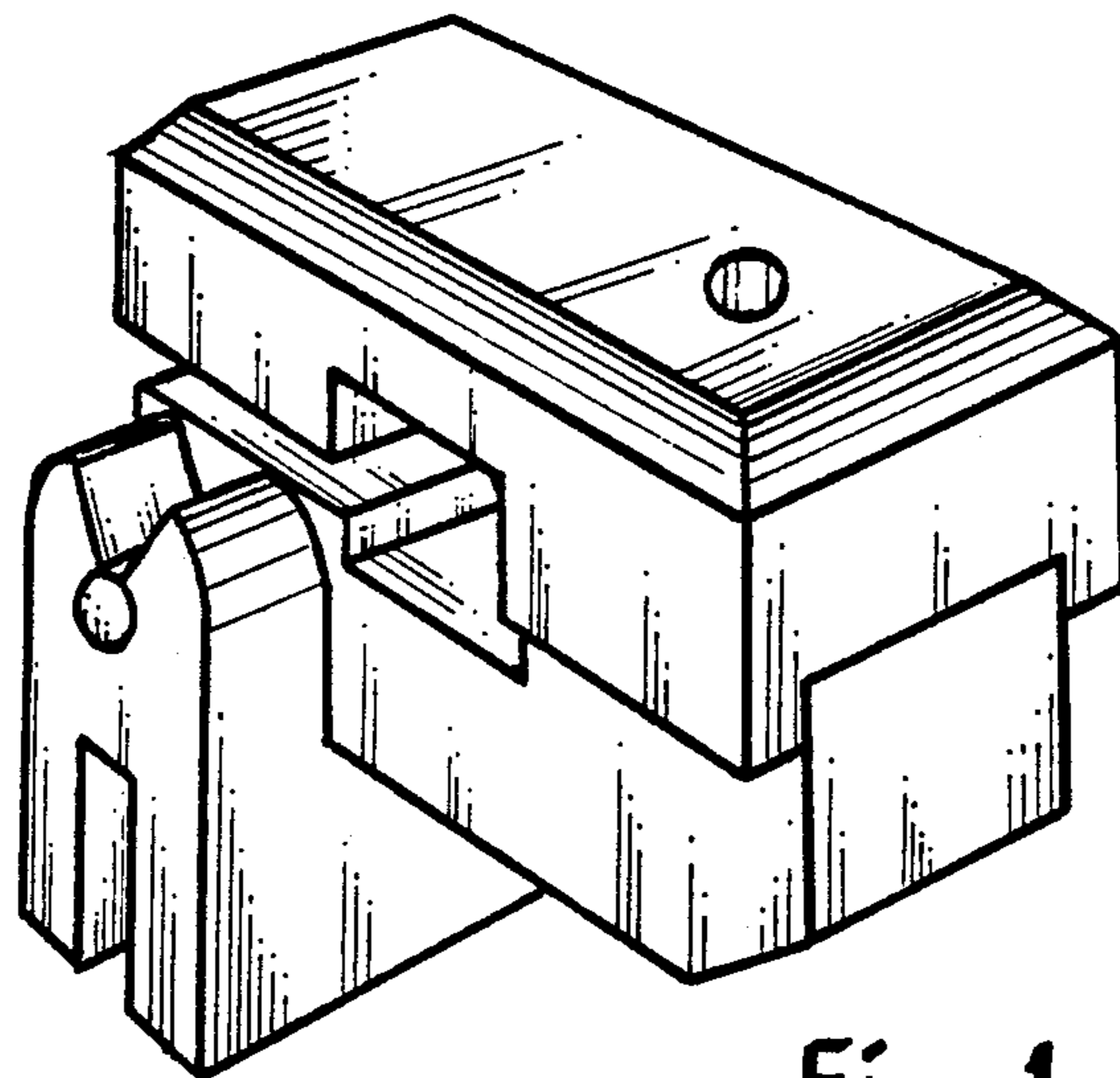


Fig. 1

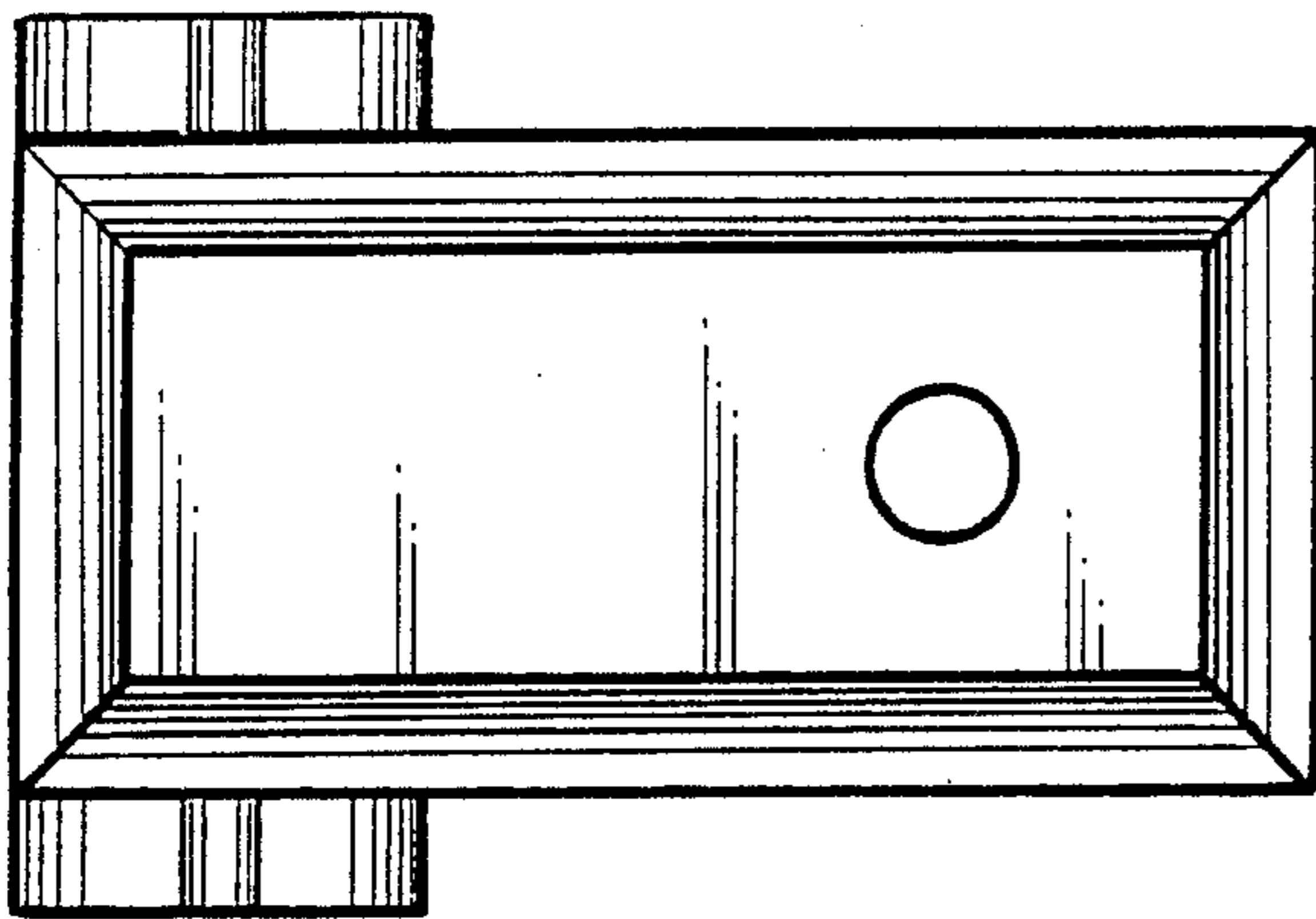


Fig. 3

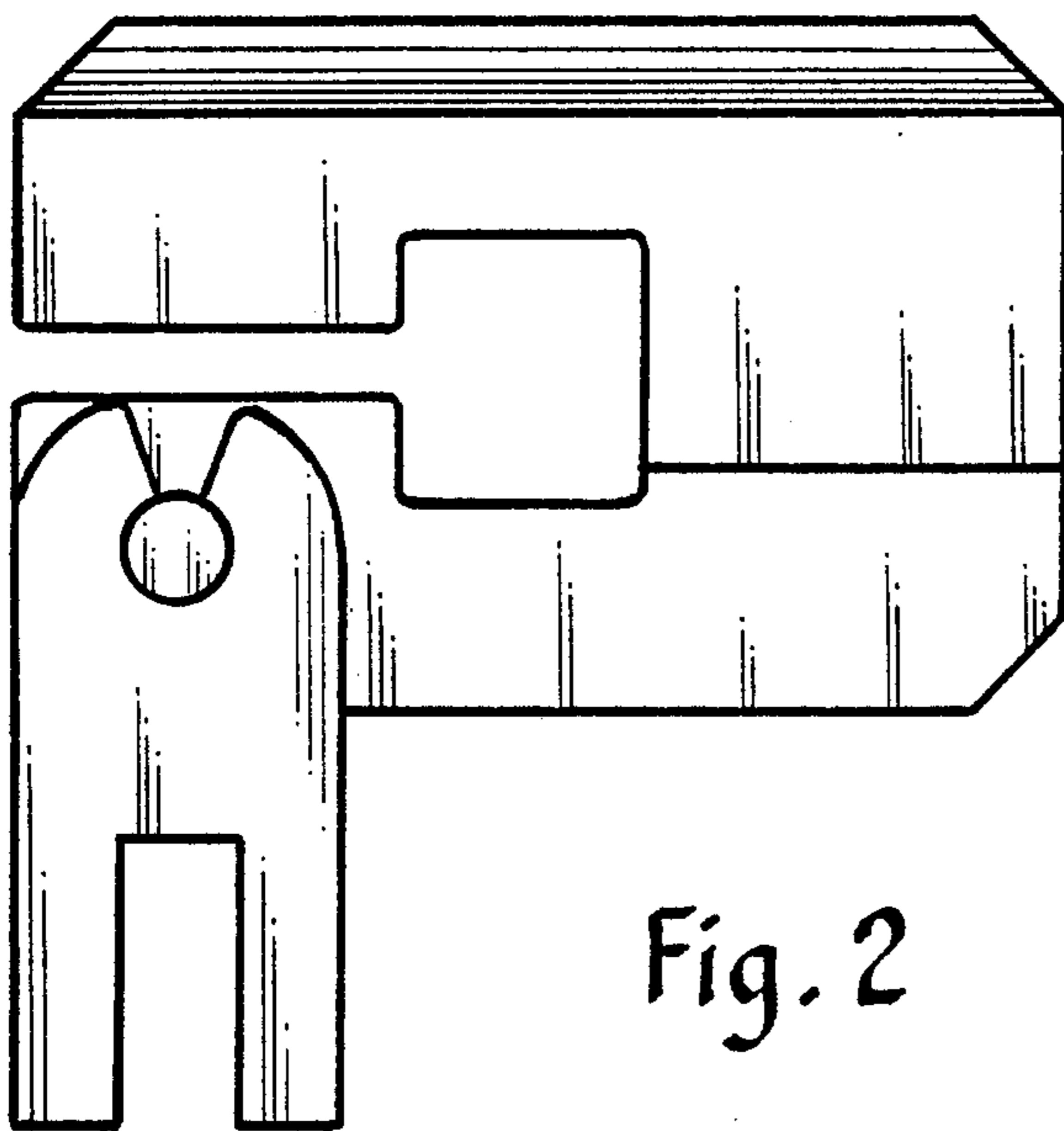


Fig. 2

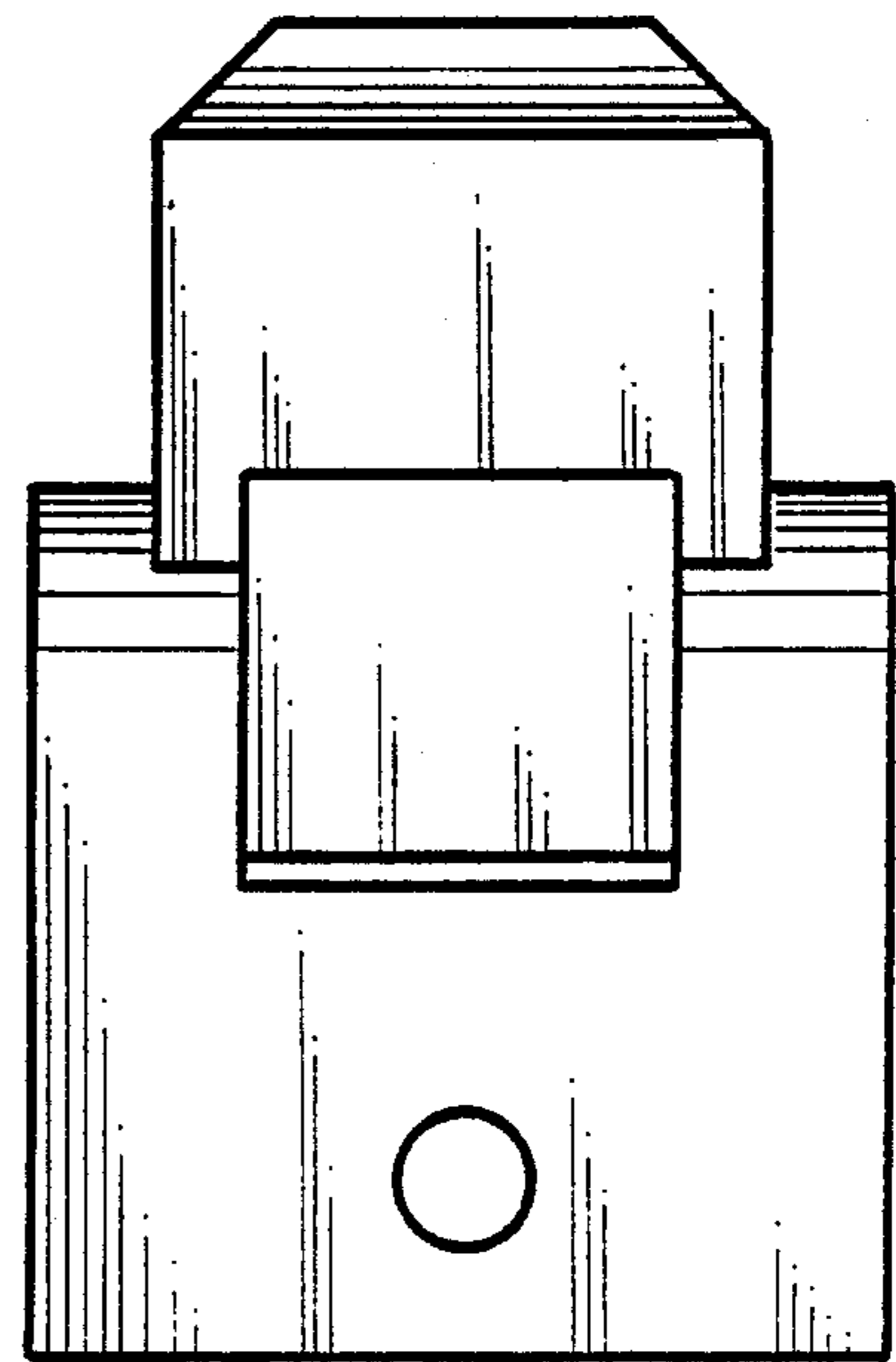


Fig. 5

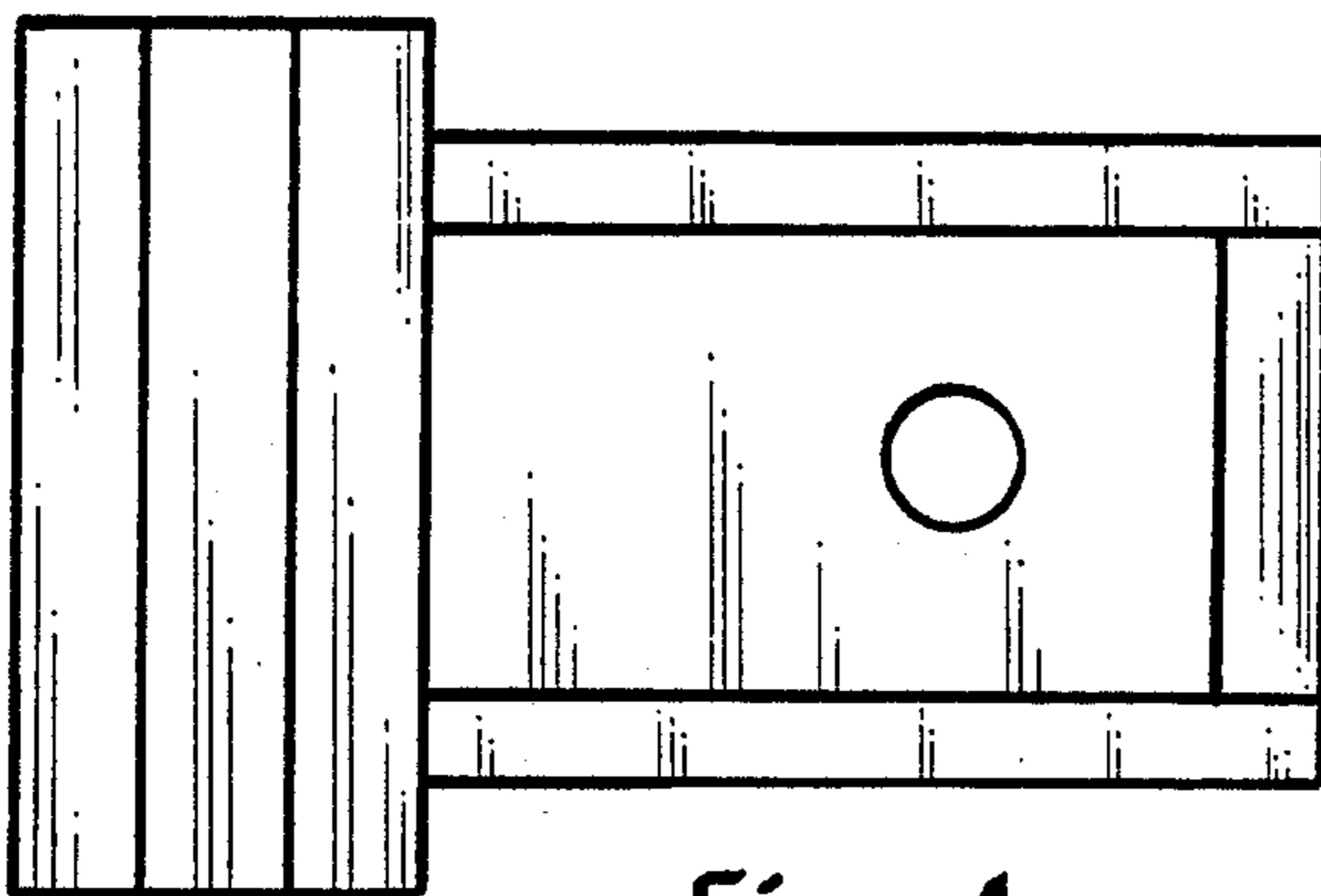


Fig. 4