

[54] COMBINED BAG HANDLE, CLAMP, AND EDGE PROTECTOR

[76] Inventor: Hugh O'Neill, 353 Nahani Way, Mississauga, Ontario, Canada, L4Z 3B1

[**] Term: 14 Years

[21] Appl. No.: 84,001

[22] Filed: Aug. 11, 1987

[30] Foreign Application Priority Data

Jun. 18, 1987 [CA] Canada 18-06-87-7

[52] U.S. Cl. D8/300; D8/395; D8/396; D12/190; D25/119

[58] Field of Search D8/300, 307, 395, 396, D8/400; D12/155, 190; D25/119, 121, 123, 125; 52/716, 823; D6/553; 248/95, 99, 101; 49/462; 24/326, 335, 336, 339

[56] References Cited

U.S. PATENT DOCUMENTS

D. 152,157 12/1948 Jones D8/317
D. 258,279 2/1981 Moore D25/119

D. 275,945 10/1984 Adell D12/190
D. 289,152 4/1987 Fritz D12/190
1,781,583 11/1930 Hodgson 292/171
3,149,367 9/1964 Dills 16/114 B
3,382,615 5/1968 Adell 49/462
4,705,249 11/1987 Edwards 248/101
4,723,740 2/1988 Courtemauche 248/95

Primary Examiner—B. J. Bullock
Attorney, Agent, or Firm—Moss, Hammond

[57] CLAIM

The ornamental design for a combined bag handle, clamp, and edge protector, as shown and described.

DESCRIPTION

FIG. 1 is a front, top perspective view of a combined bag handle, clamp, and edge protector showing my new design;

FIG. 2 is a rear, bottom perspective view thereof;

FIG. 3 is a left end elevational view thereof, the right end being a mirror image;

FIG. 4 is a right end elevational view of a second embodiment of the design of FIG. 1, the only difference being the addition of a matching clamp to the rear surface.

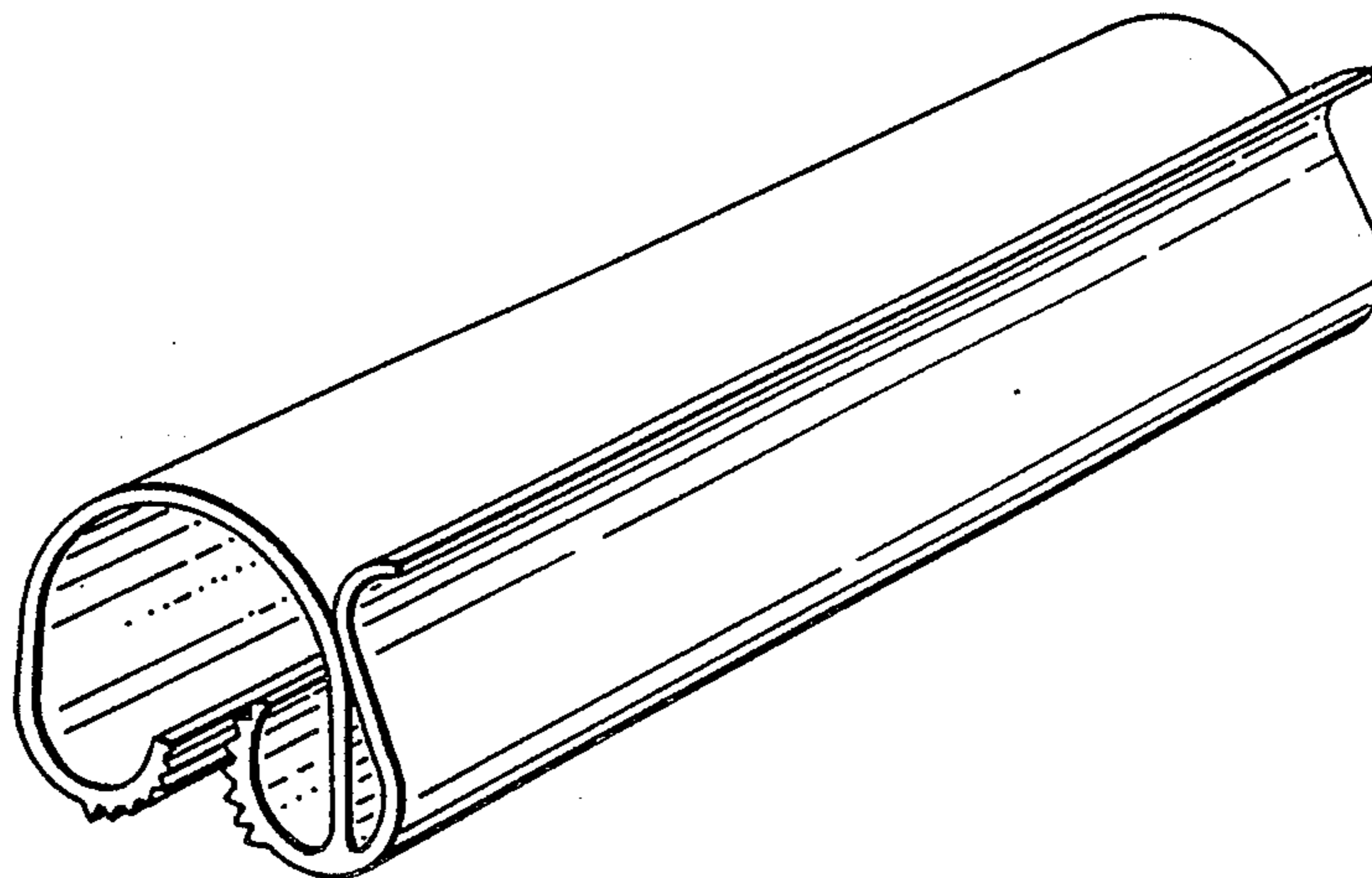


FIG. 1

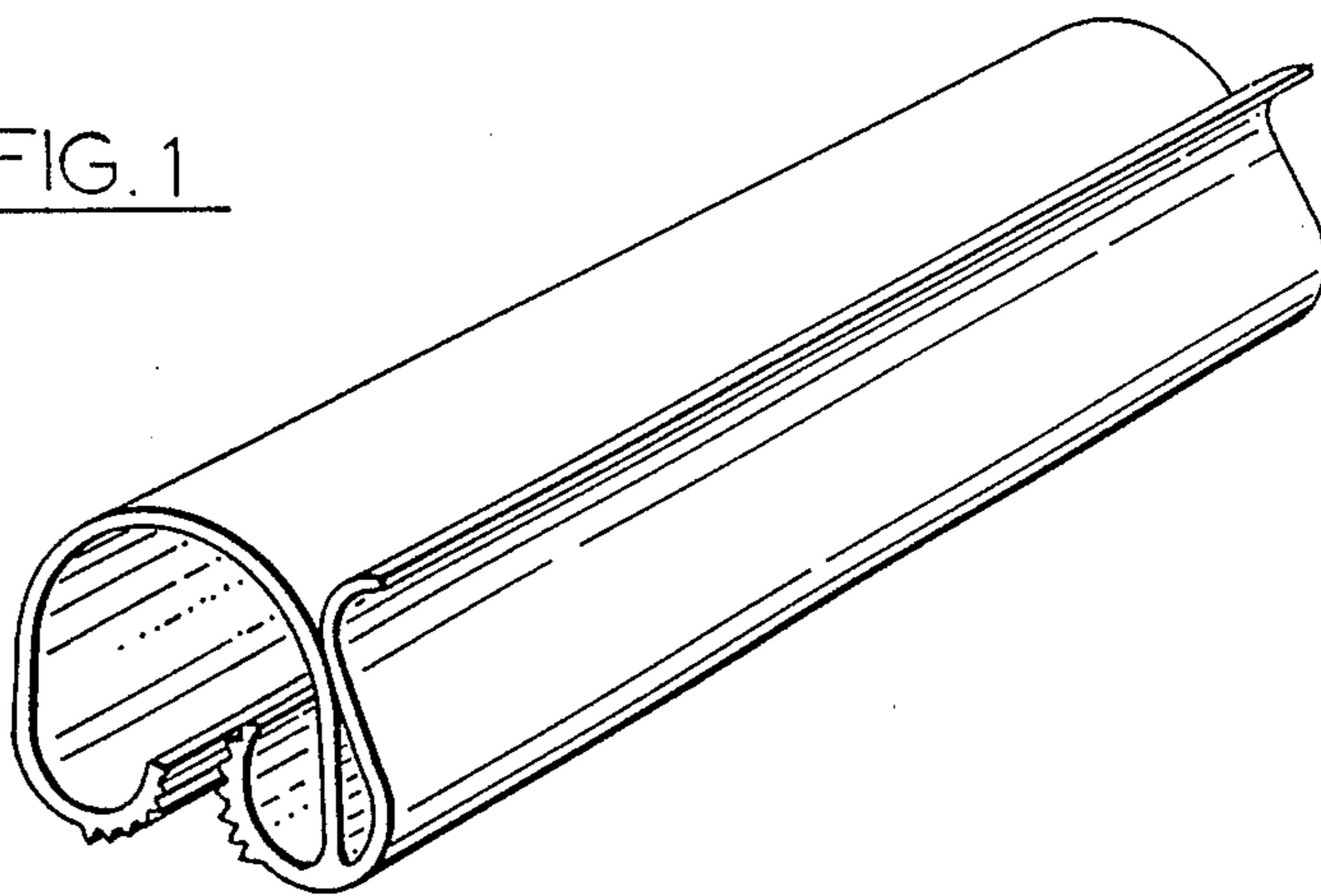


FIG. 2

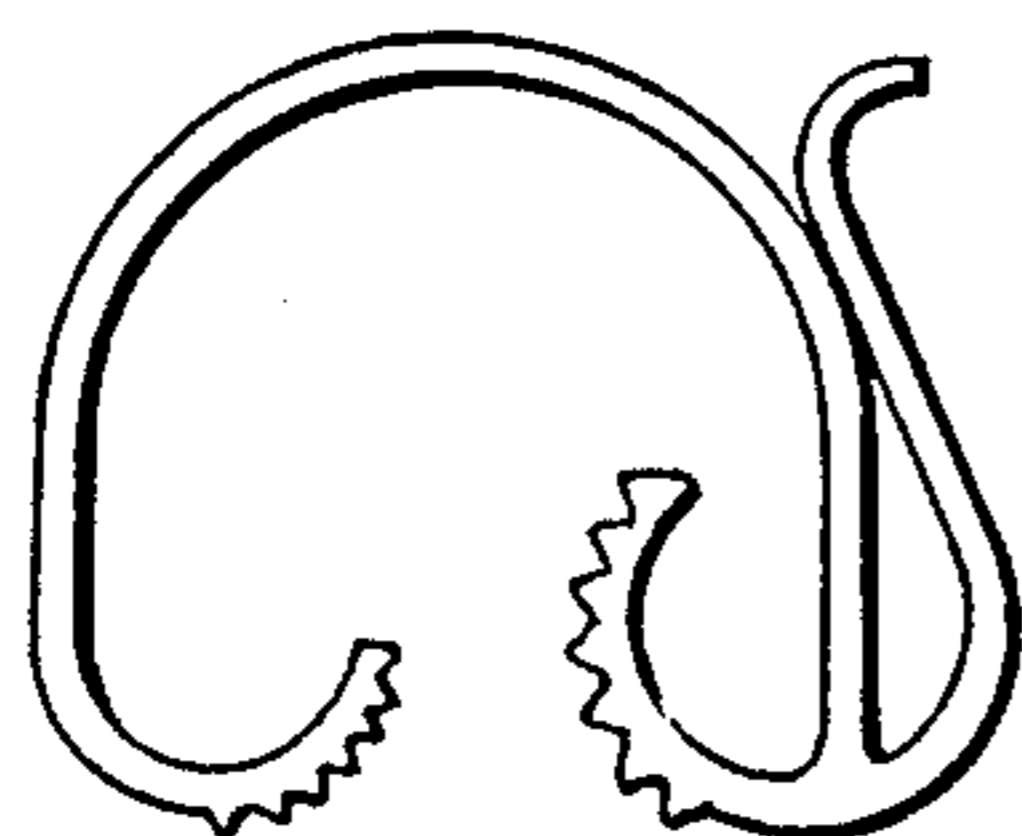
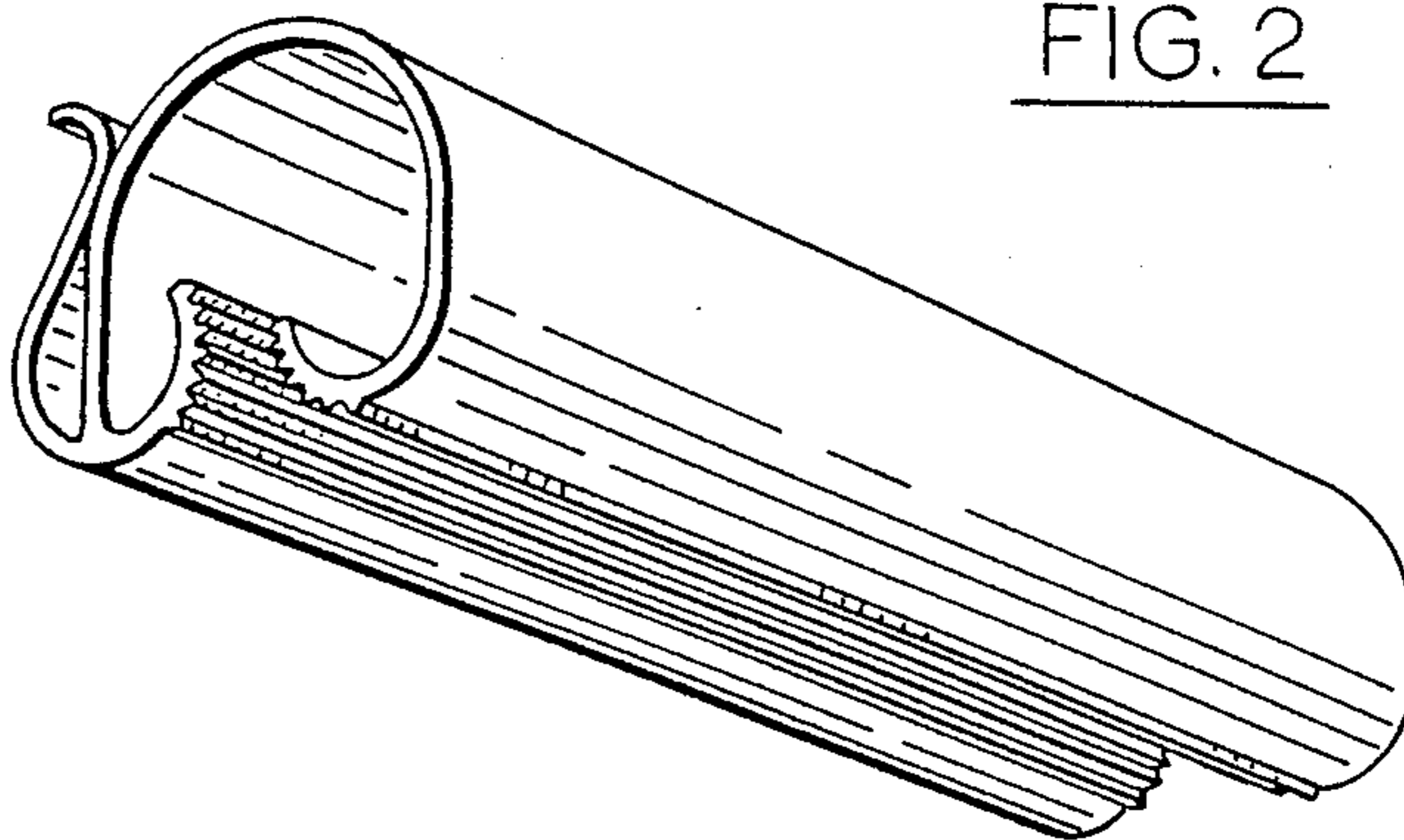


FIG. 3

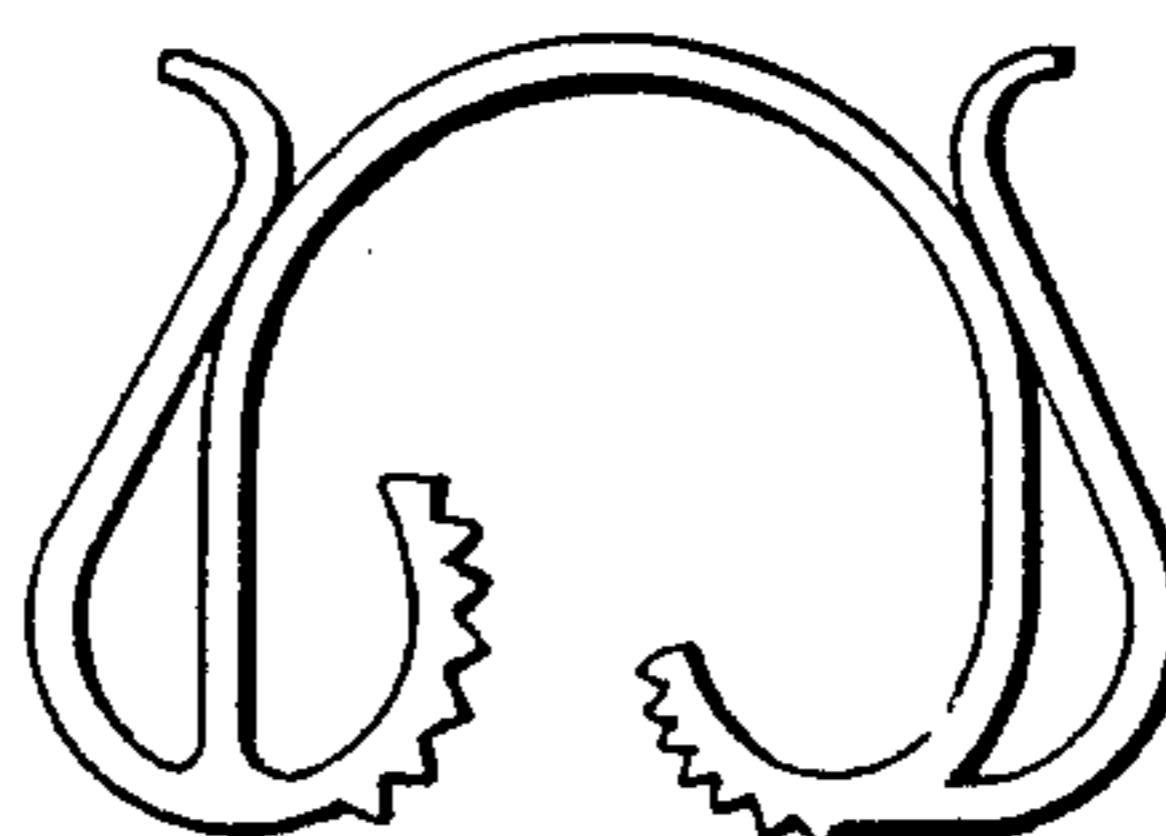


FIG. 4