

United States Patent [19]

Momany

[11] Patent Number: **Des. 305,295**

[45] Date of Patent: **** Jan. 2, 1990**

[54] **CUTTING TOOL**

[75] Inventor: **Michael F. Momany, Seattle, Wash.**

[73] Assignee: **Technoarts Corporation, Seattle, Wash.**

[**] Term: **14 Years**

[21] Appl. No.: **884,407**

[22] Filed: **Jul. 11, 1986**

[52] U.S. Cl. **D8/70; D8/61; D8/98**

[58] Field of Search **D8/61, 70, 98; D15/138, D15/139; 219/221, 238, 229, 236, 237, 239**

[56] **References Cited**

U.S. PATENT DOCUMENTS

2,099,792 11/1937 Beadling 219/237

4,441,014 4/1984 Hong 219/238 X
4,594,499 6/1986 Rapsey et al. 219/221

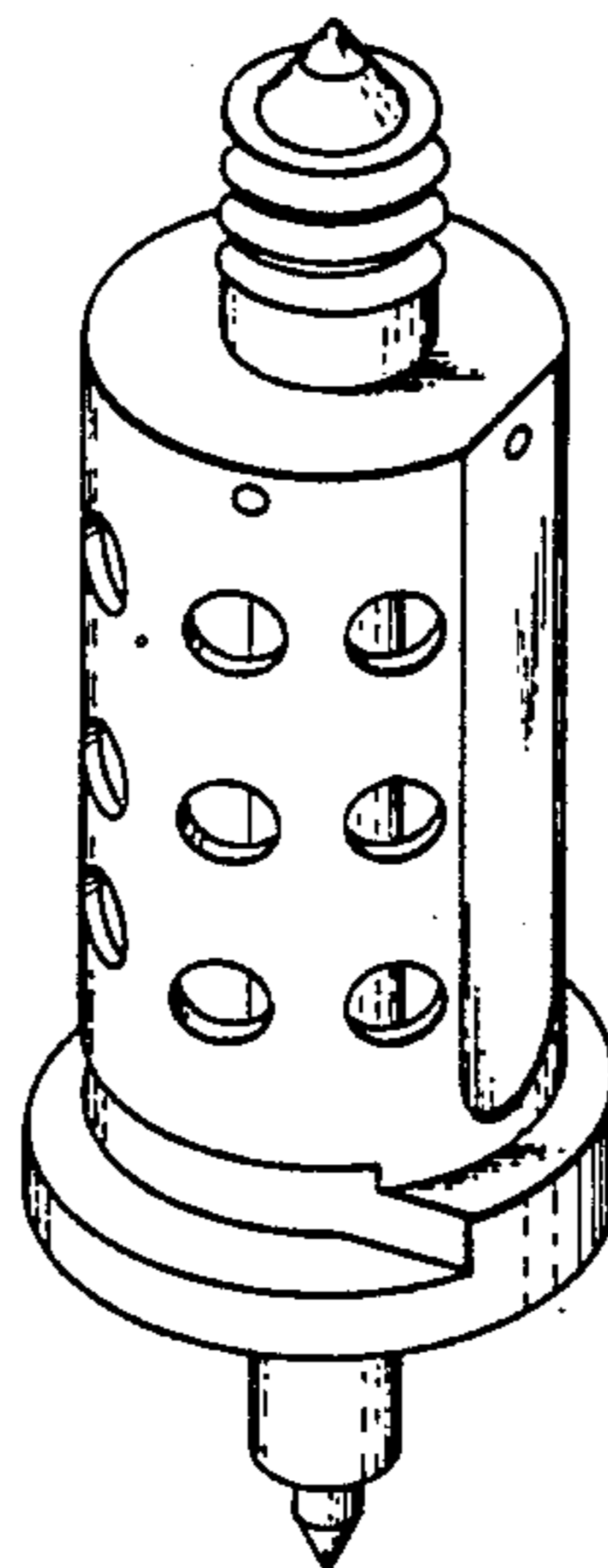
Primary Examiner—Winifred E. Herrmann
Assistant Examiner—John Warchol
Attorney, Agent, or Firm—Seed and Berry

[57] **CLAIM**

The ornamental design for a cutting tool, as shown and described.

DESCRIPTION

FIG. 1 is a top, side isometric view of a cutting tool showing my new design;
FIG. 2 is a front elevational view thereof;
FIG. 3 is a rear elevational view thereof;
FIG. 4 is a left side elevational view thereof, the right side is a mirror image;
FIG. 5 is a top plan view thereof; and
FIG. 6 is a bottom plan view thereof.



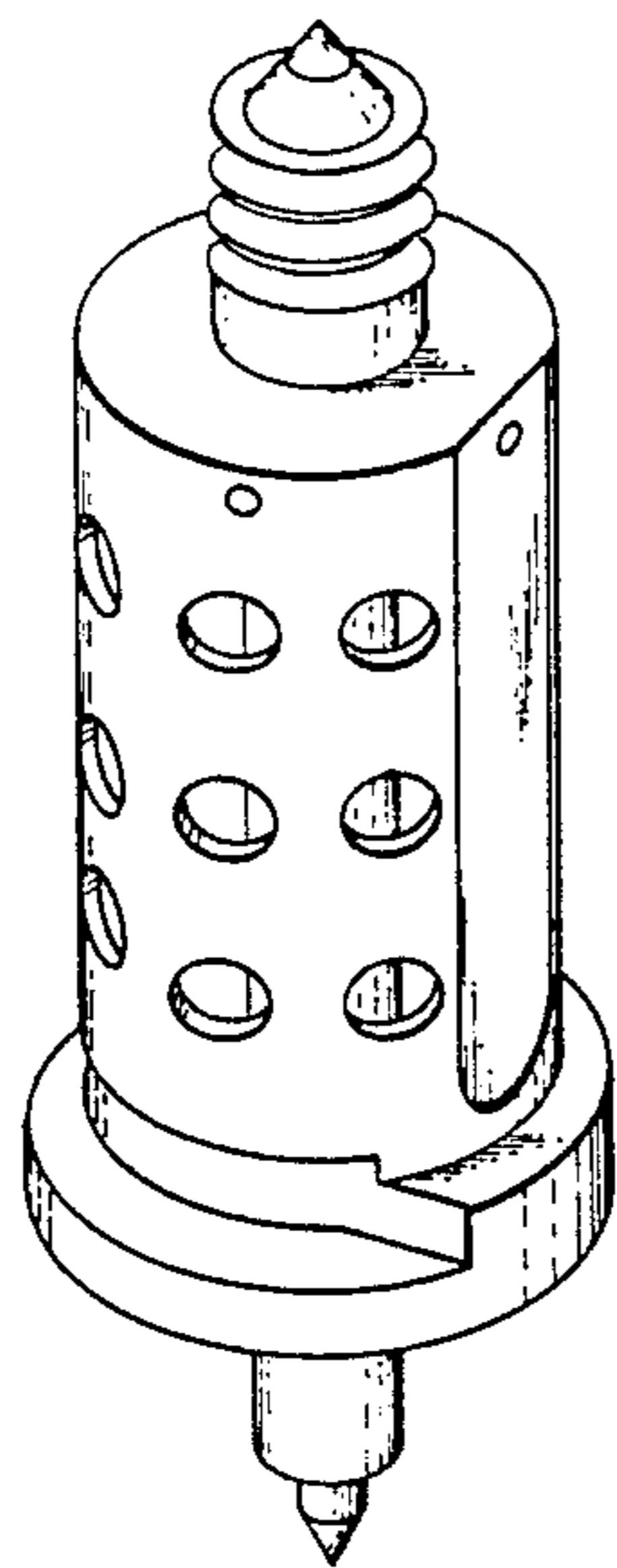


FIG. 1

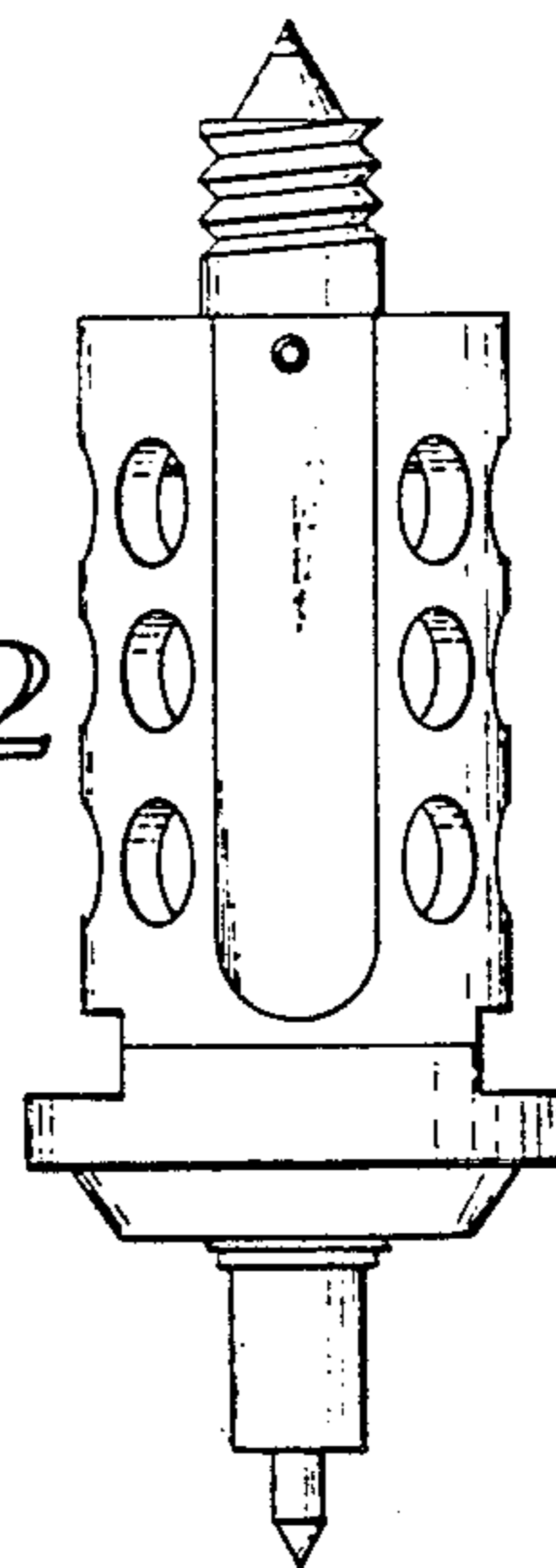


FIG. 2

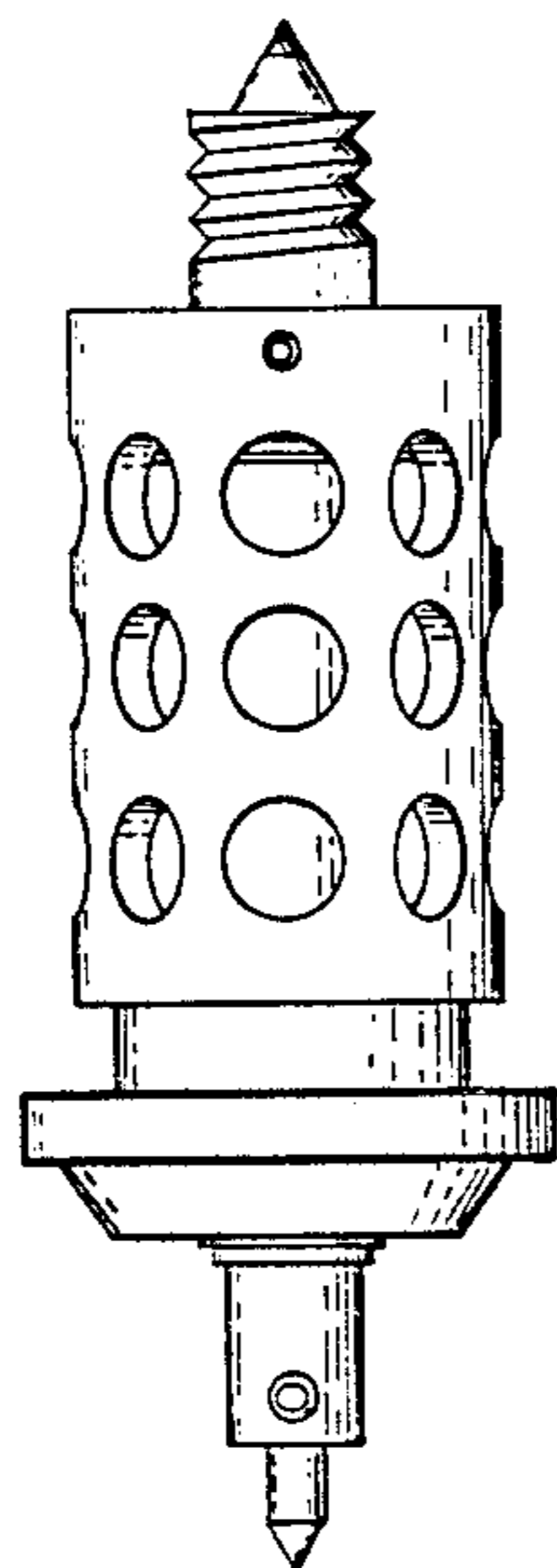


FIG. 3

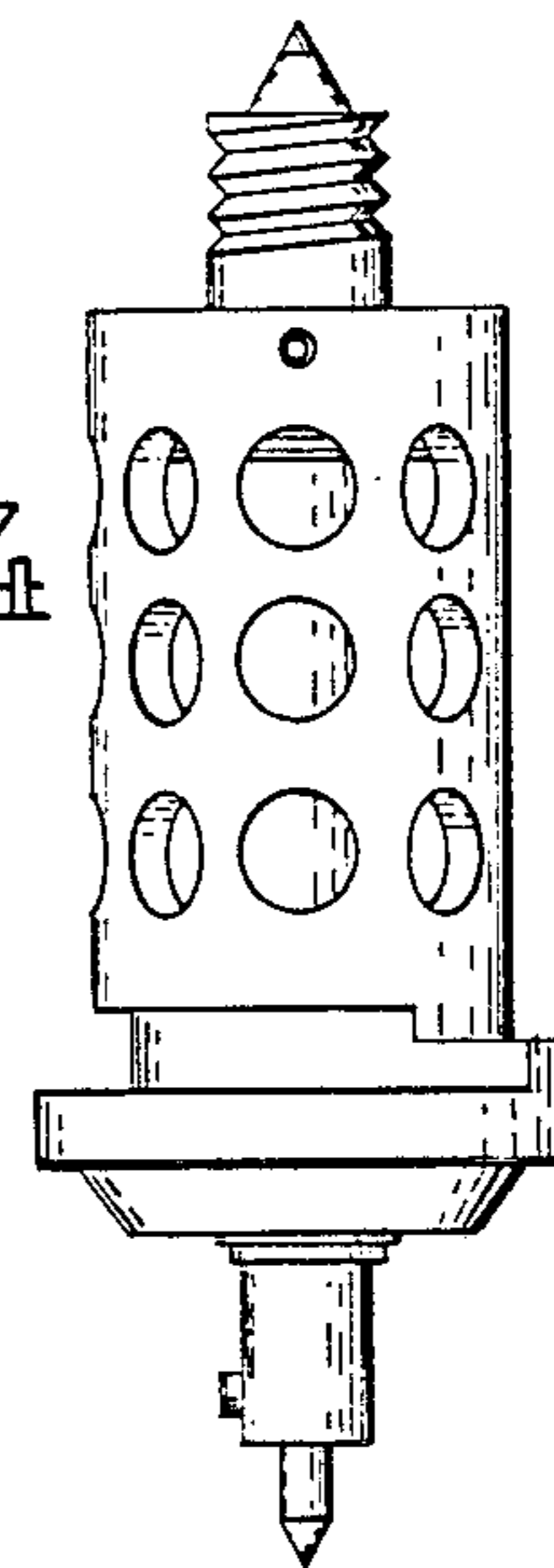


FIG. 4

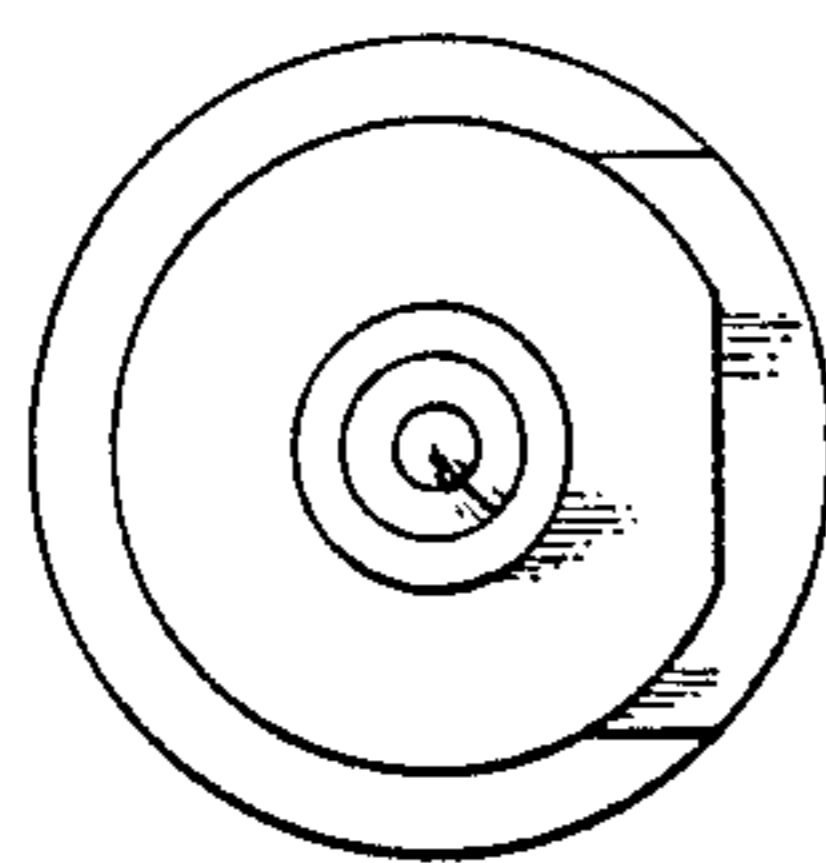


FIG. 5

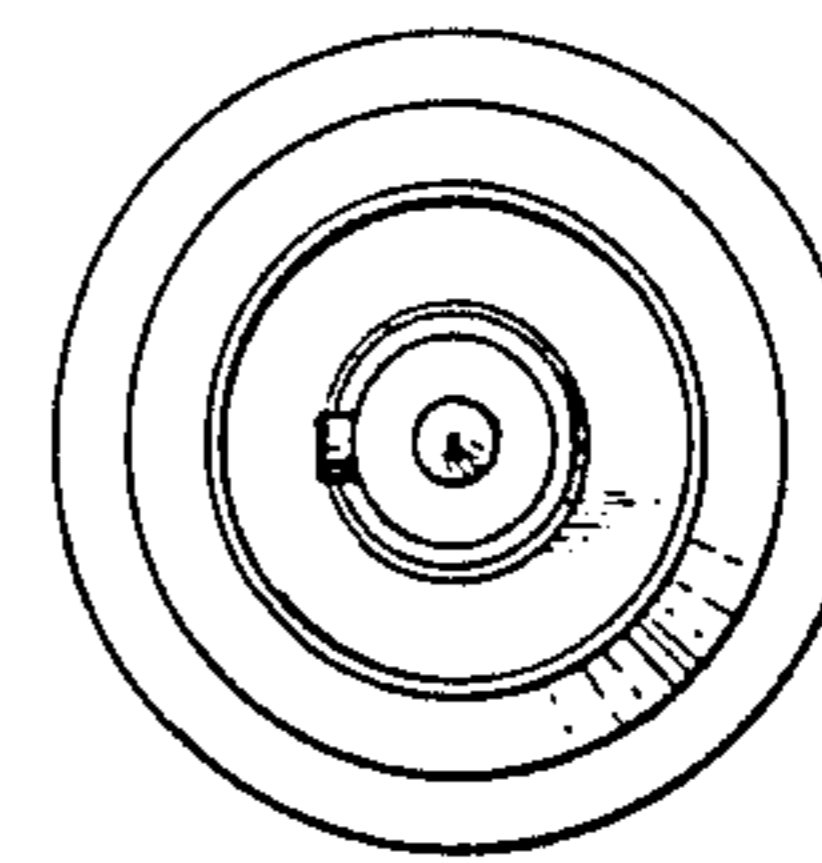


FIG. 6