

[54] SCISSORS

[75] Inventor: Kazuo Kawasaki, Fukui, Japan

[73] Assignee: EX-Design Corporation, Fukui, Japan

[\*\*] Term: 14 Years

[21] Appl. No.: 99,983

[22] Filed: Sep. 23, 1987

[52] U.S. Cl. .... D8/5

[58] Field of Search ..... D8/57, 3-5,  
D8/98-99; 7/131, 134-135; 30/131, 145-146,  
194, 261

[56] References Cited

U.S. PATENT DOCUMENTS

521,526 6/1894 Hollingsworth ..... 30/261 X  
2,706,070 4/1955 Freark ..... 7/135 X

Primary Examiner—Bernard Ansher  
Assistant Examiner—Terry A. Pfeffer  
Attorney, Agent, or Firm—Staas & Halsey

[57] CLAIM

The ornamental design for scissors, as shown and described.

DESCRIPTION

FIG. 1 is a perspective view of scissors in an open condition showing my new design;  
FIG. 2 is a front elevational view of the scissors in a closed condition;  
FIG. 3 is a rear elevational view thereof;  
FIG. 4 is a top plan view thereof;  
FIG. 5 is a bottom plan view thereof;  
FIG. 6 is a left side elevational view thereof;  
FIG. 7 is a right side elevational view thereof; and  
FIG. 8 is a front elevational view of the scissors in an open condition.

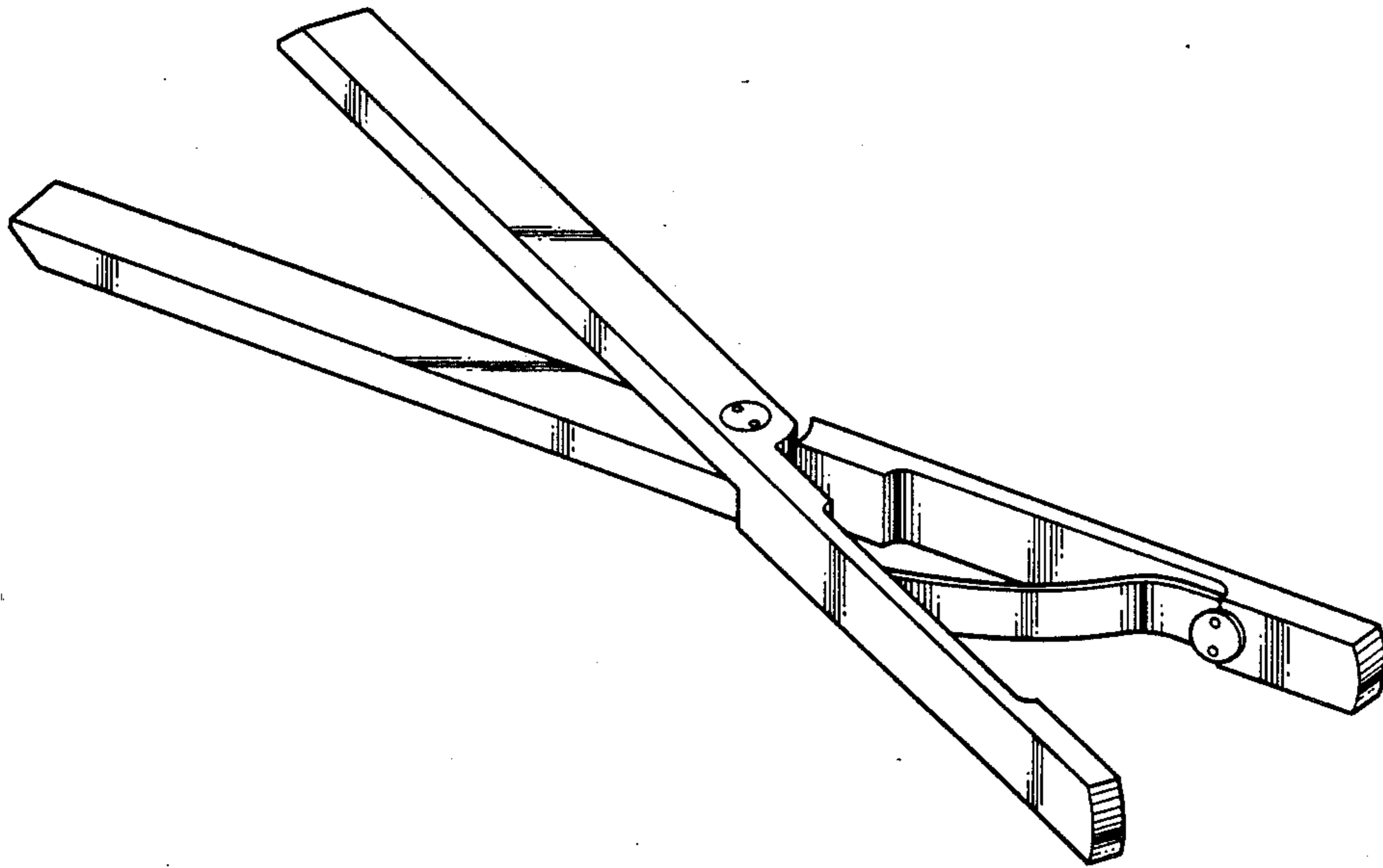


FIG. 1

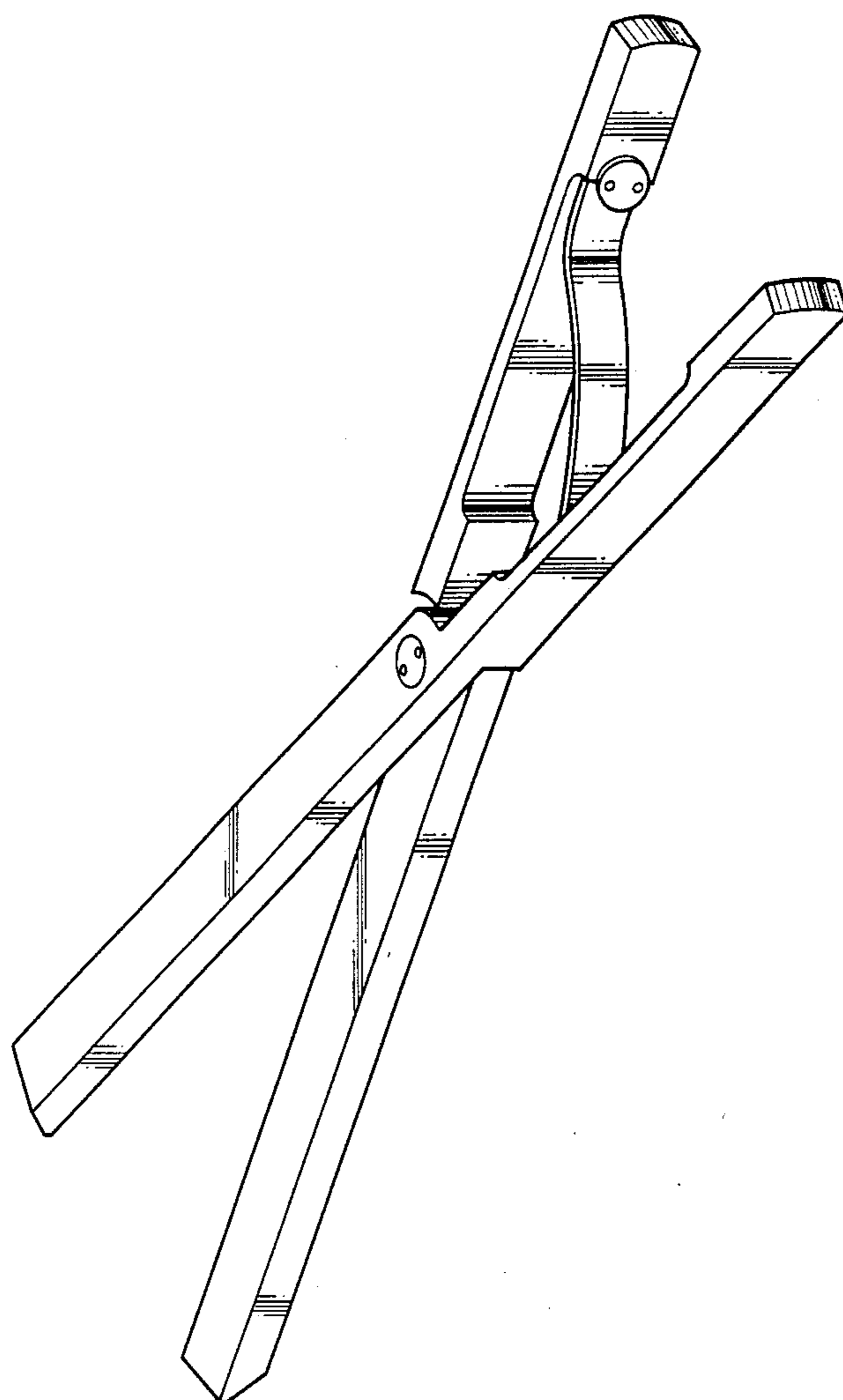


FIG. 2

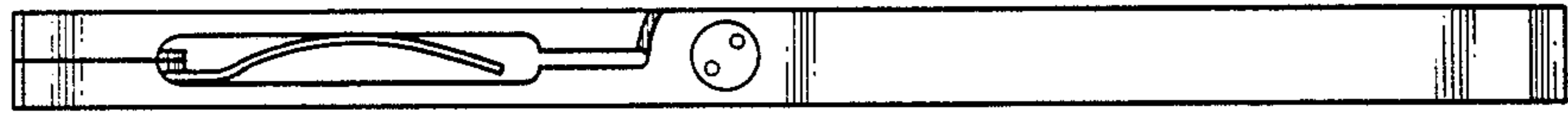


FIG. 3



FIG. 4



FIG. 5



FIG. 6



FIG. 7



FIG. 8

