

[54] **CONFECTION DISPLAY AND VENDING CASE**

[75] **Inventor: W. Neil Thompson, Kensington, Md.**

[73] **Assignee: Unique Caseworks, Inc., Kensington, Md.**

[**] **Term: 14 Years**

[21] **Appl. No.: 21,017**

[22] **Filed: Mar. 3, 1987**

[52] **U.S. Cl. D6/472**

[58] **Field of Search D6/470, 471, 472, 436, D6/437, 438, 439; D15/82; 312/114, 116, 140.1**

[56] **References Cited**

U.S. PATENT DOCUMENTS

D. 45,342 3/1914 Klein D6/471

D. 98,613 2/1936 Pollard D6/471
D. 140,535 3/1945 Schupp D6/437
D. 140,542 3/1945 Schupp D6/437

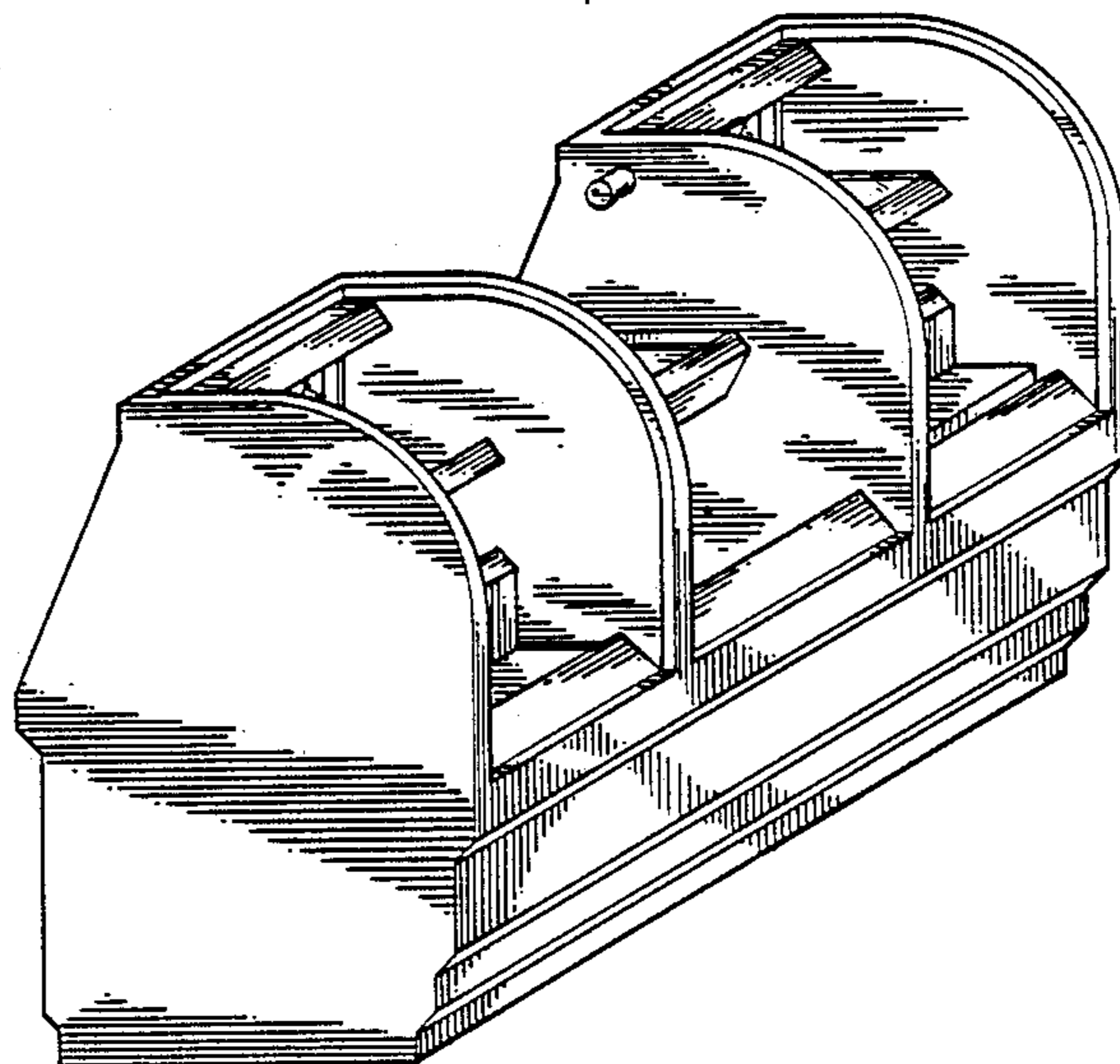
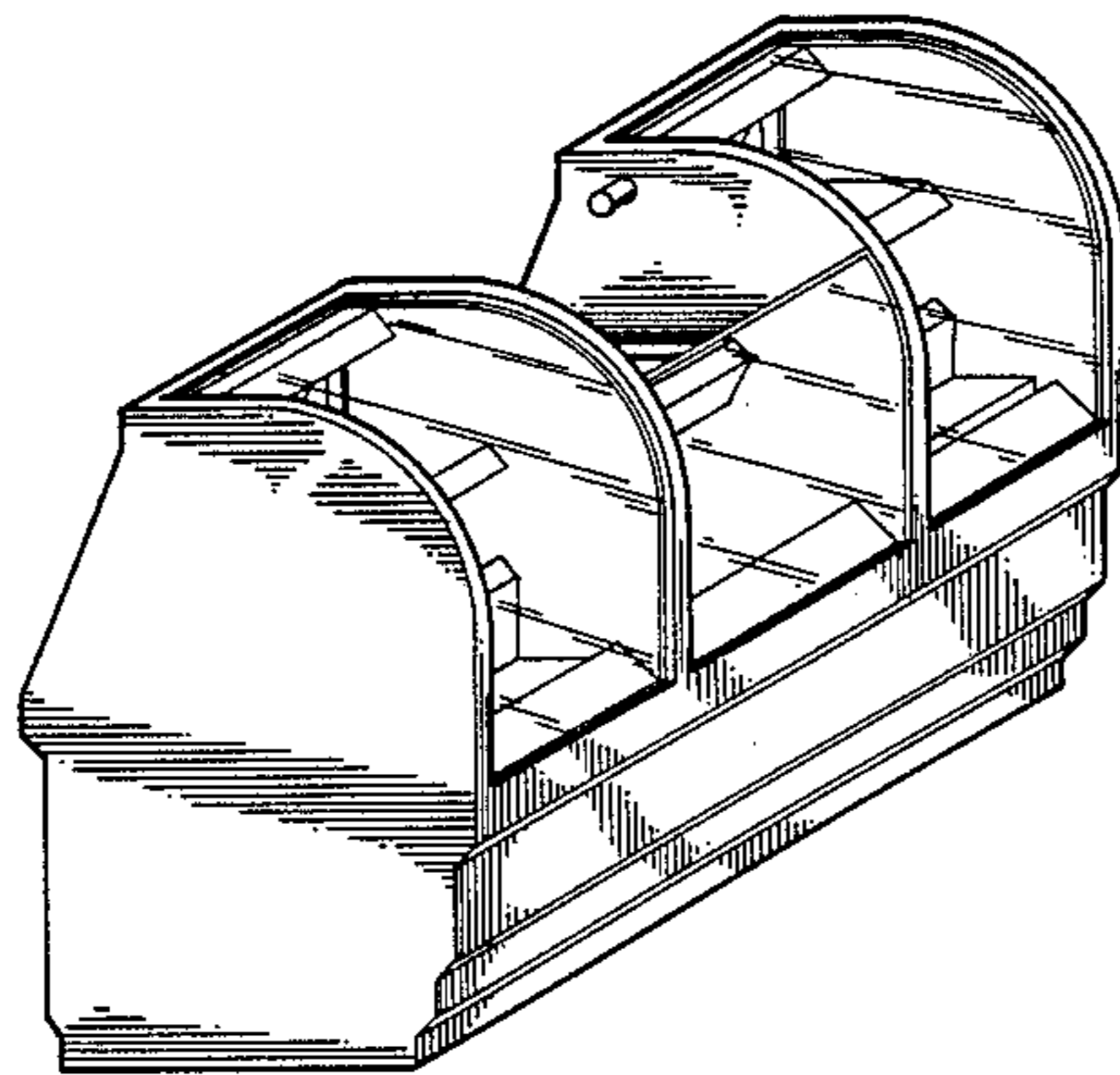
Primary Examiner—Carmen H. Vales-Lado
Attorney, Agent, or Firm—William L. Gates

[57] **CLAIM**

The ornamental design for a confection display and vending case, as shown and described.

DESCRIPTION

FIG. 1 is a perspective view of a confection display and vending case showing my new design;
FIG. 2 is a front elevational view thereof;
FIG. 3 is a rear elevational view thereof;
FIG. 4 is a top elevational view thereof;
FIG. 5 is a right side elevational view thereof; and
FIG. 6 is a perspective view of a modified form of the confection display and vending case shown in FIG. 1.



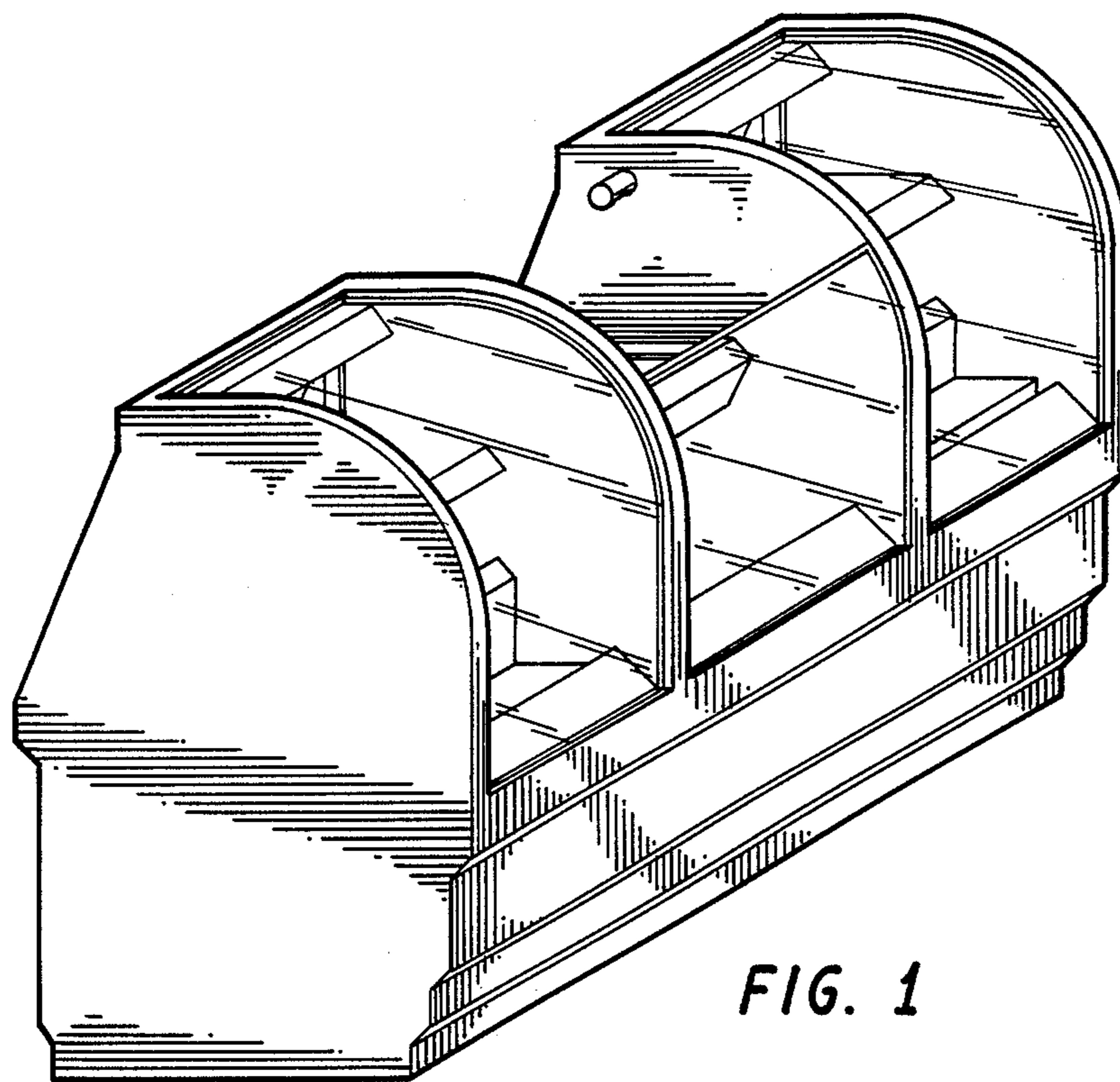


FIG. 1

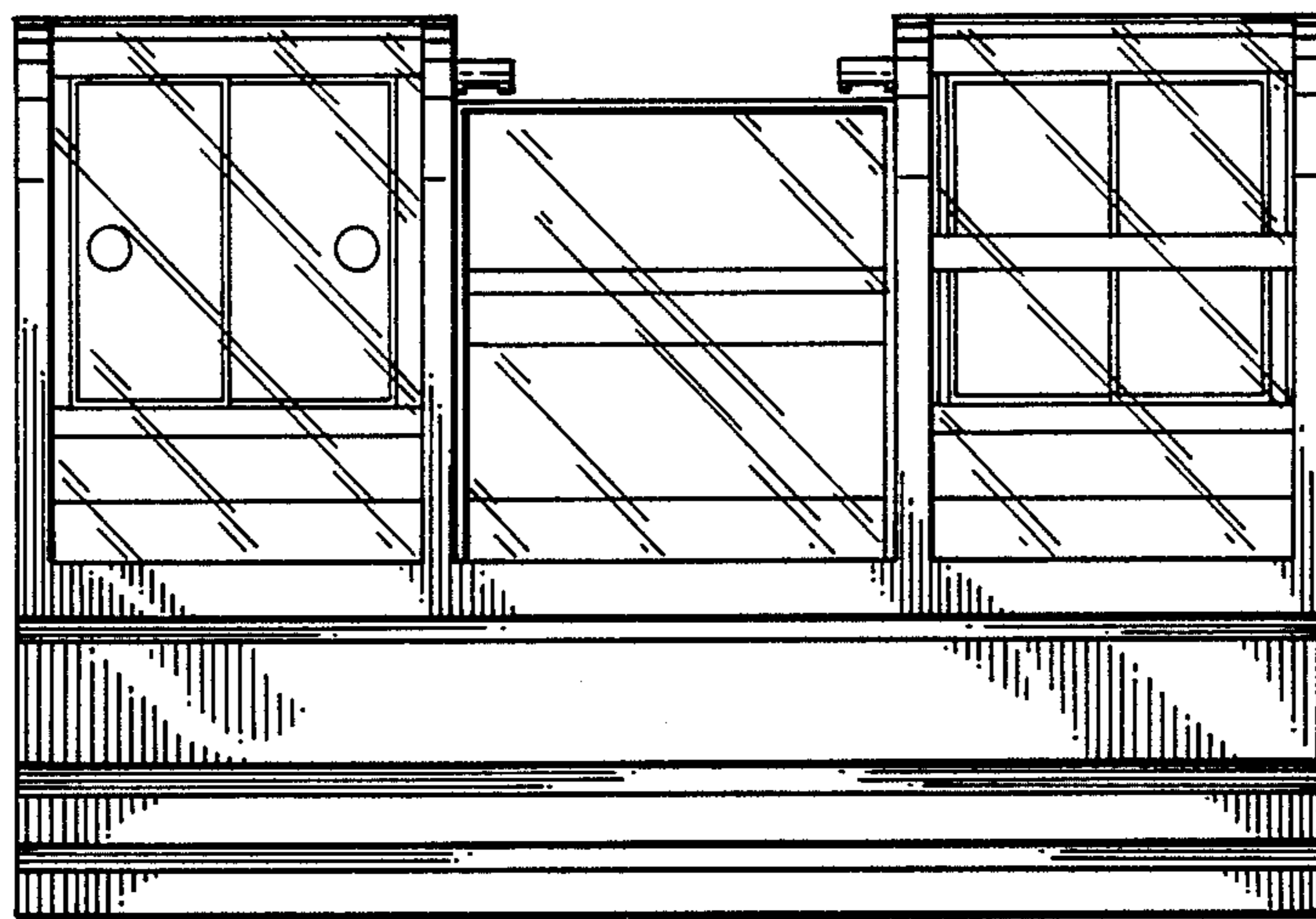


FIG. 2

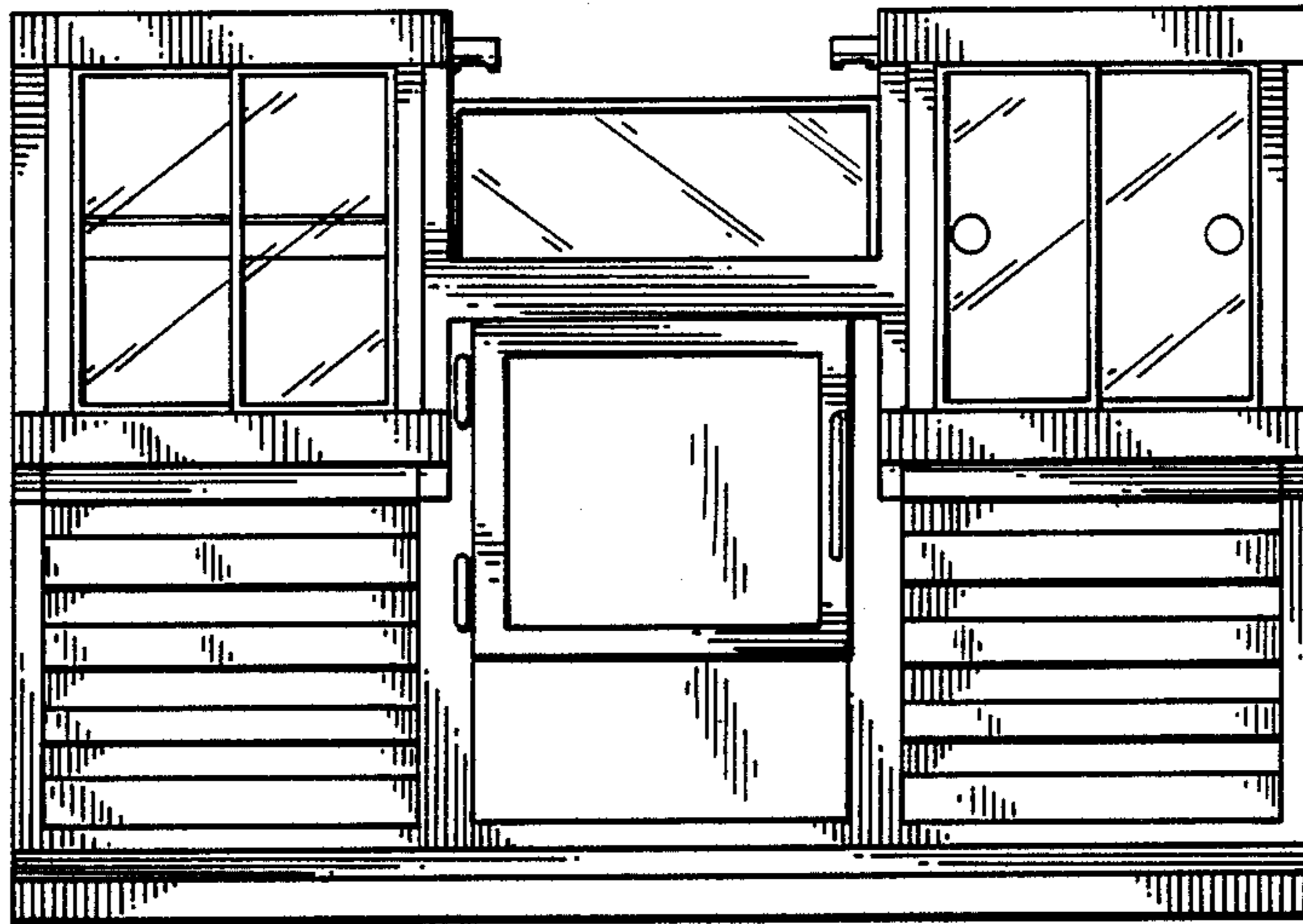


FIG. 3

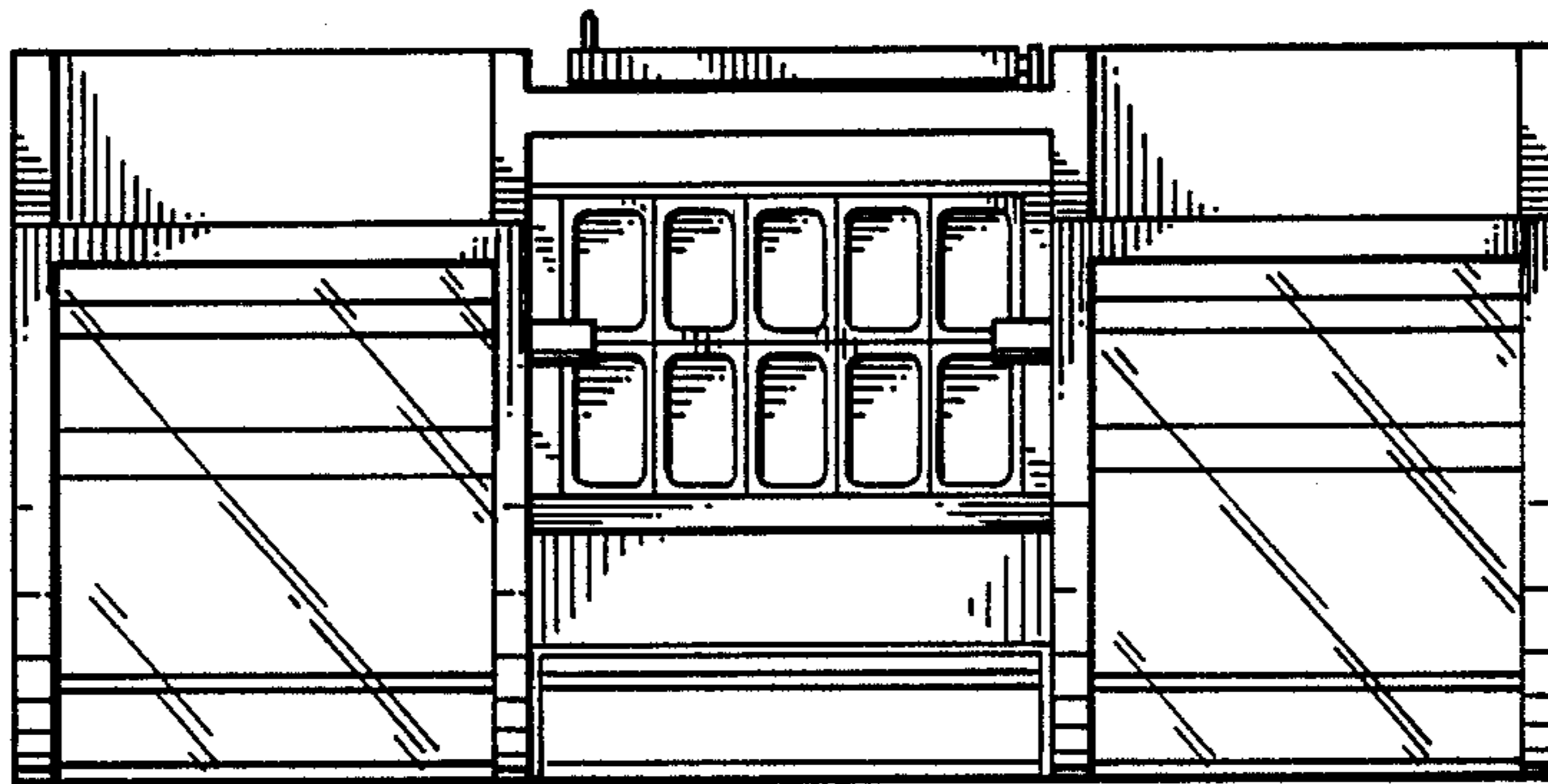


FIG. 4

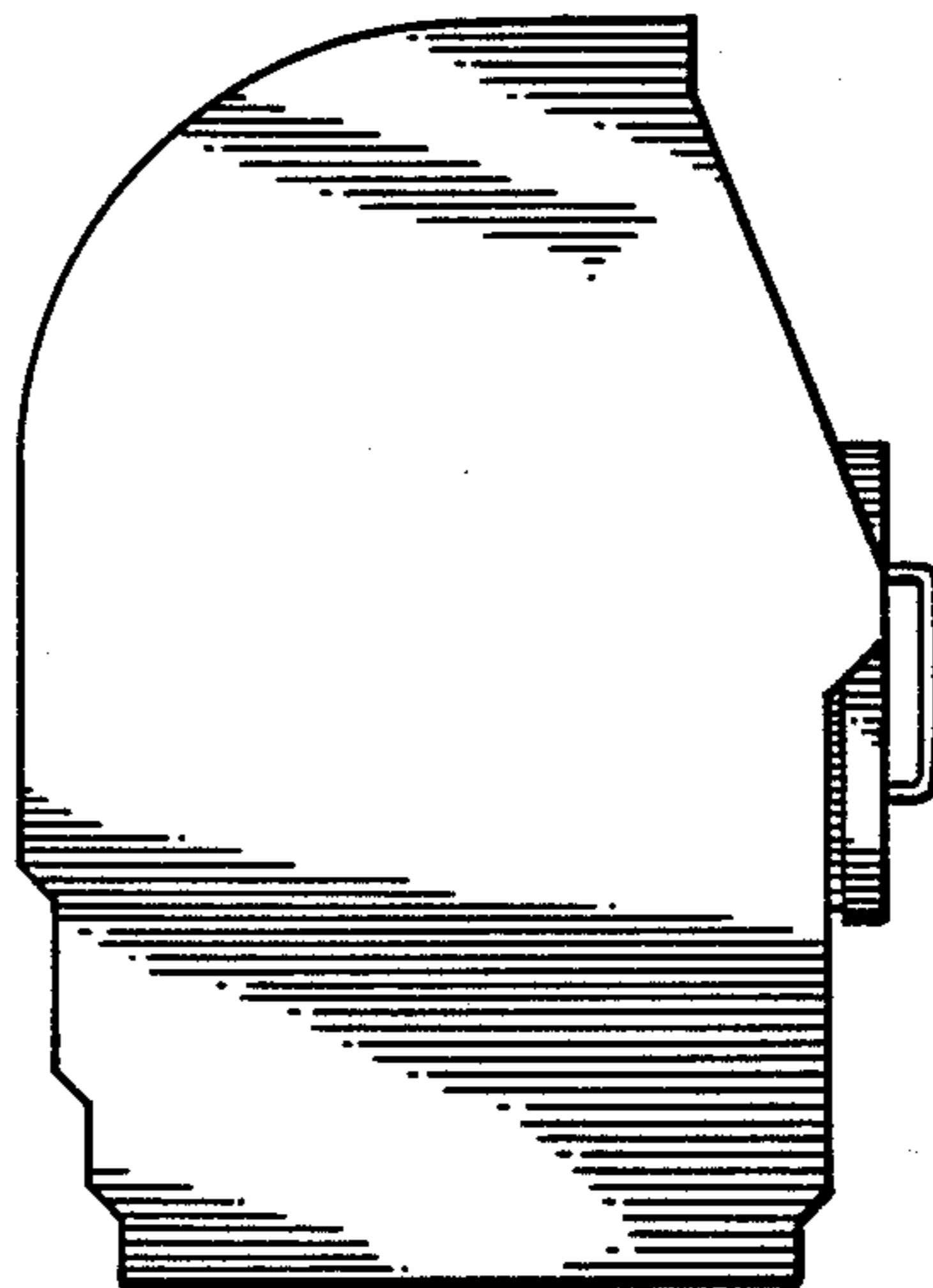


FIG. 5

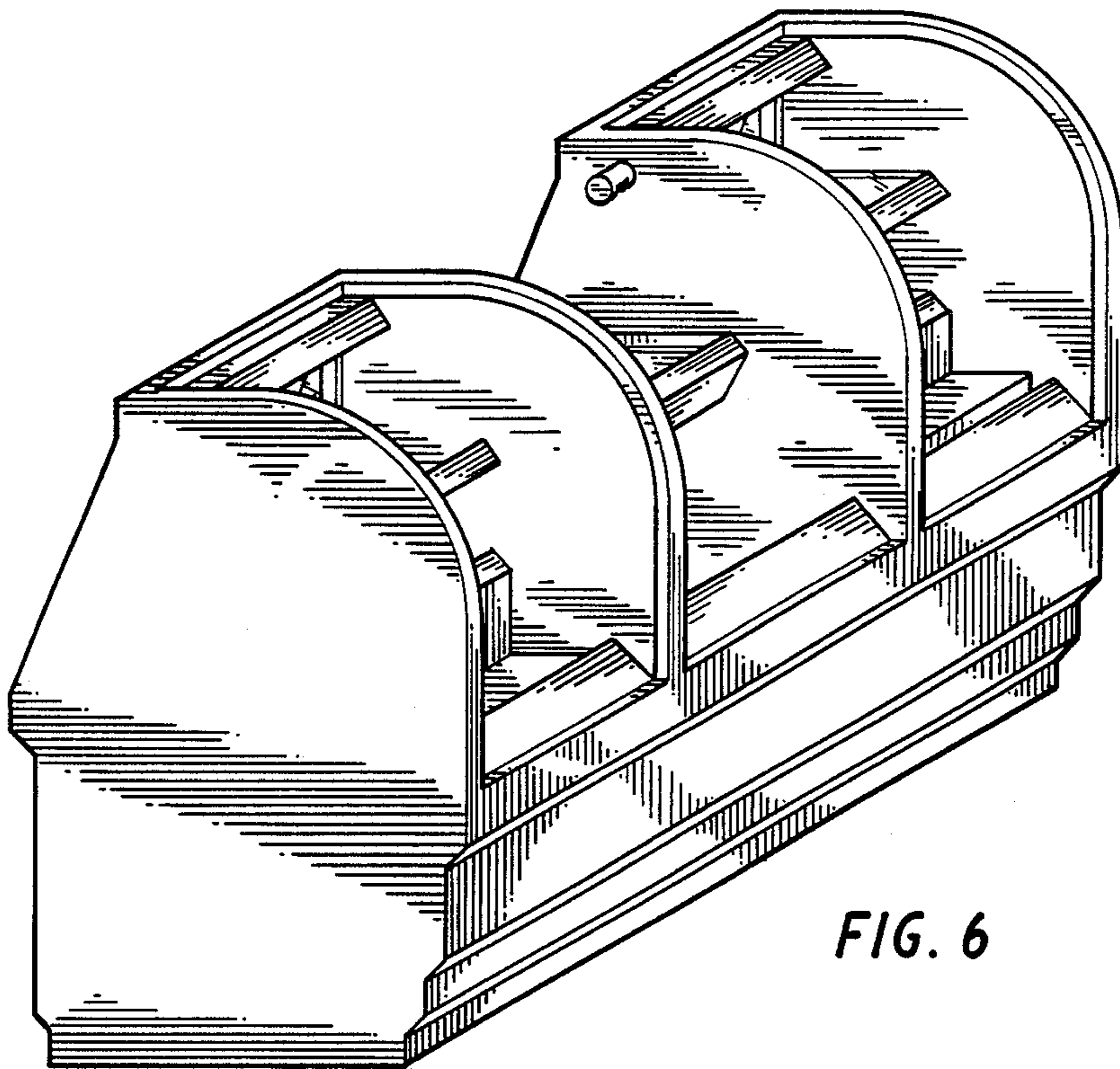


FIG. 6