

# United States Patent [19]

Otema

[11] Patent Number: **Des. 305,286**

[45] Date of Patent: **\*\* Jan. 2, 1990**

[54] SHOW CASE

4,381,876 5/1983 Fenwick ..... 312/114

[76] Inventor: **Martin Otema, 51 Pine Ridge Dr., Scarborough, Ontario, Canada, M1M 2X6**

[\*\*] Term: **14 Years**

[21] Appl. No.: **350,262**

[22] Filed: **May 11, 1989**

[52] U.S. Cl. .... **D6/470**

[58] Field of Search ..... **D6/470, 471, 472; 312/114, 117**

[56] **References Cited**

### U.S. PATENT DOCUMENTS

D. 247,079 1/1978 Otema ..... D6/470 X  
2,271,121 1/1942 Gross ..... 312/117

### OTHER PUBLICATIONS

"Display Fixture—A Specification Guide", by Lozier Store Fixtures, p. 11; Framed Series B. *Lozier Store Fixtures Binder Cat.*, p. 1707; Rear Storage Cabinet, Series 500 Style "B".

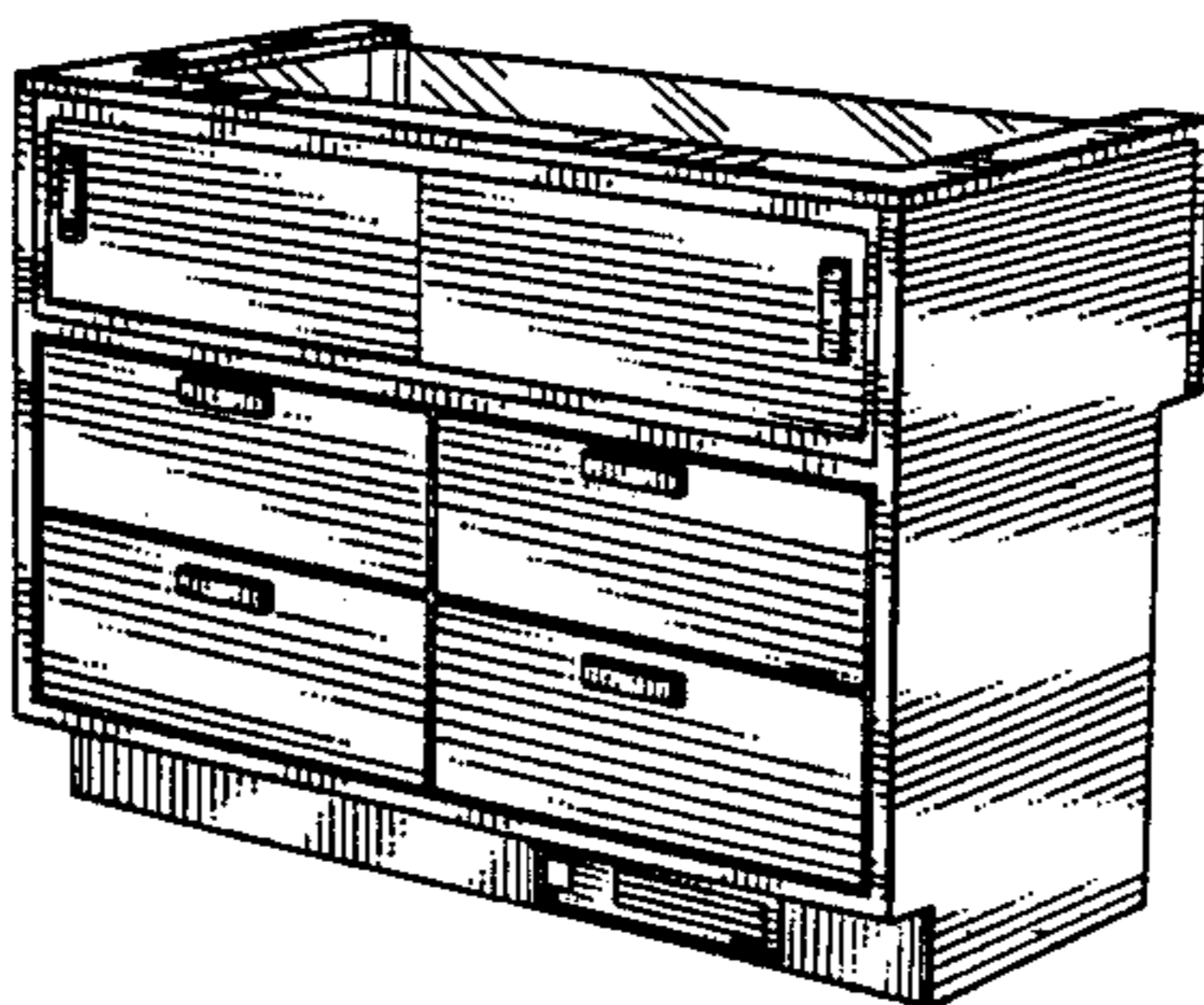
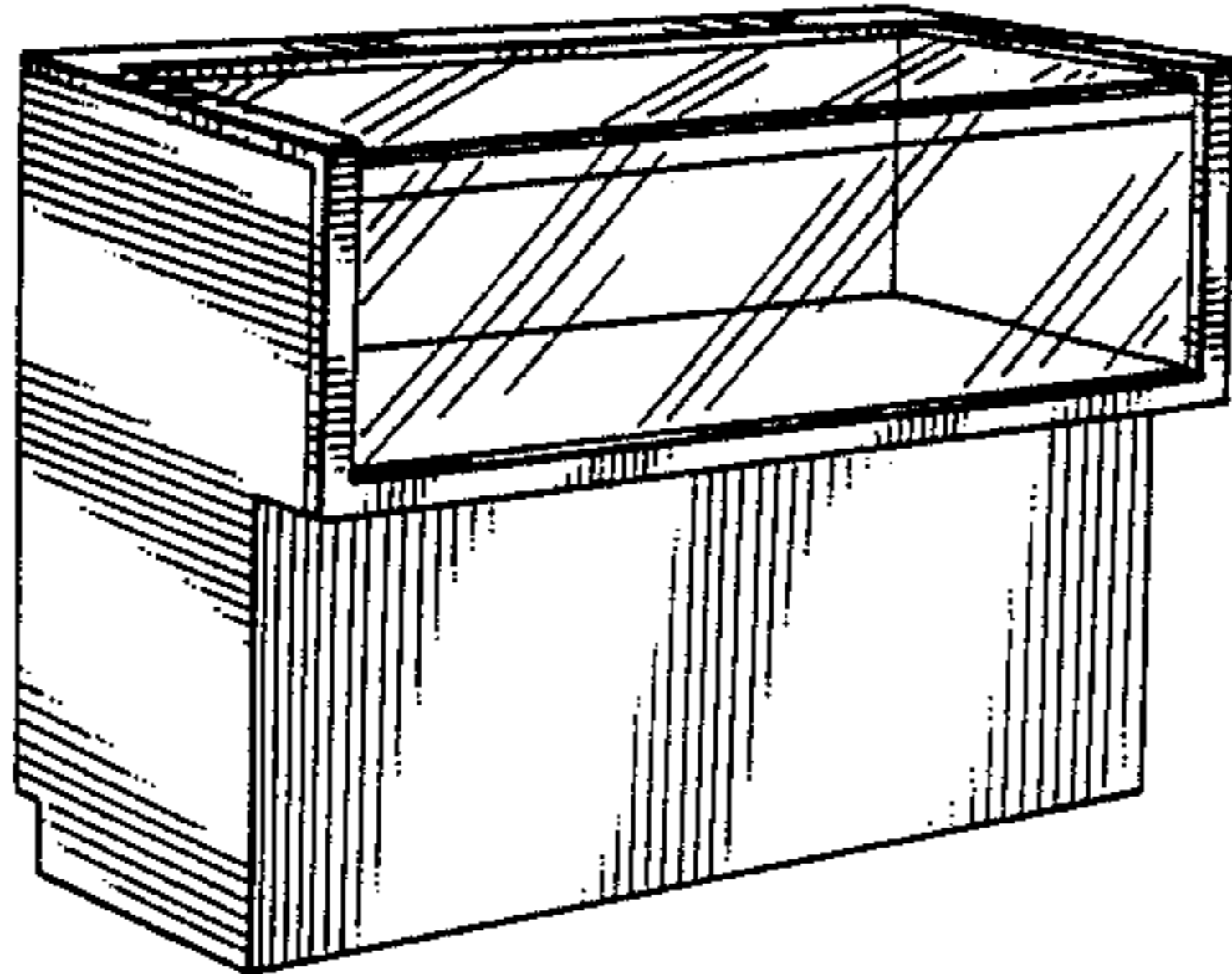
*Primary Examiner*—Carmen H. Vales-Lado  
*Attorney, Agent, or Firm*—Rogers, Bereskin & Parr

[57] **CLAIM**

The ornamental design for a show case, as shown.

### DESCRIPTION

FIG. 1 is a front perspective view of a show case showing my new design; and  
FIG. 2 is a rear perspective view thereof.



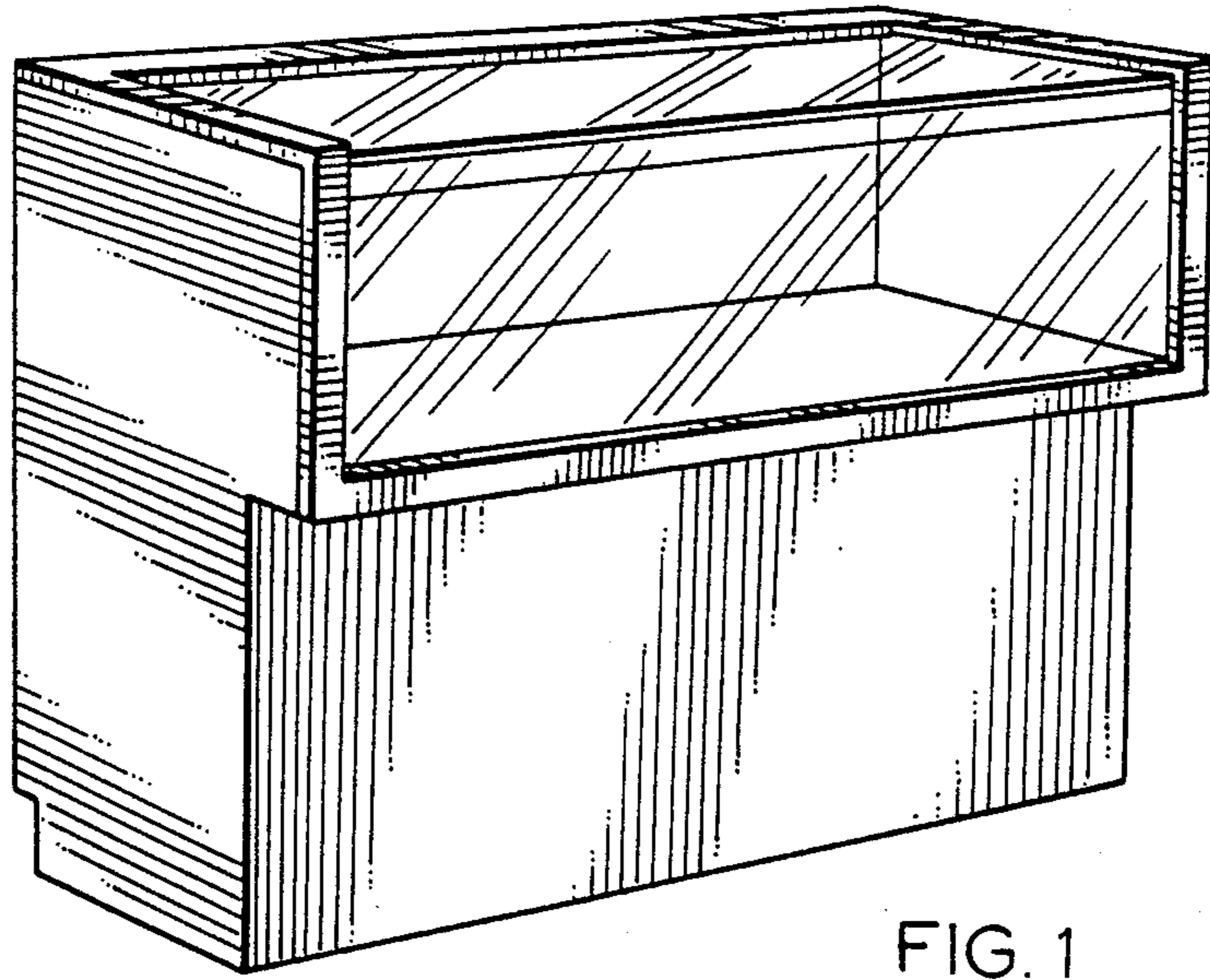


FIG. 1

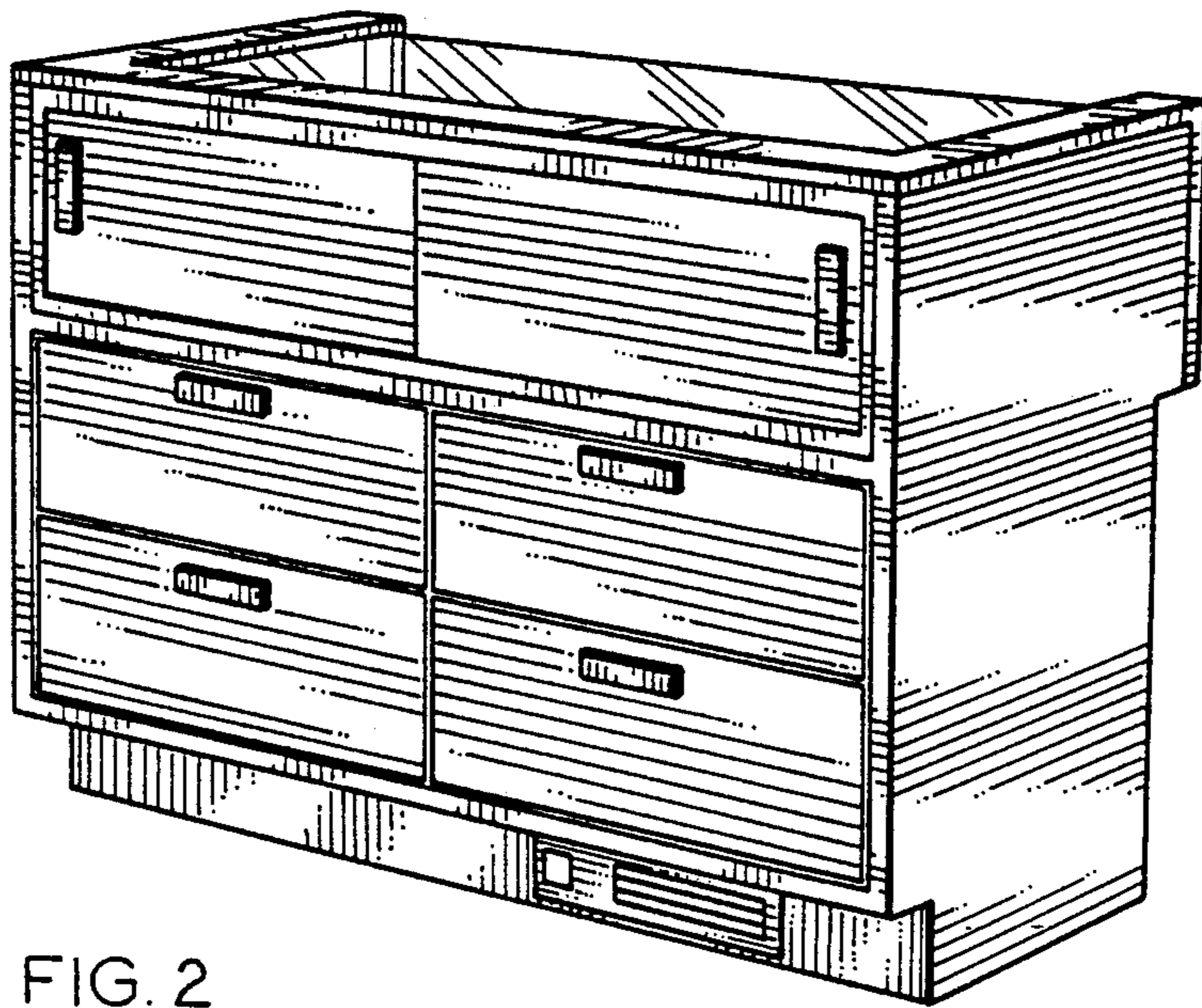


FIG. 2