

[54] CHAIR

[76] Inventor: Giancarlo Piretti, Piazza Trento e Trieste 2/2, Bologna, Italy

[\*\*] Term: 14 Years

[21] Appl. No.: 937,187

[22] Filed: Dec. 2, 1986

[30] Foreign Application Priority Data

Jun. 12, 1986 [IT] Italy ..... 53524/86[U]

[52] U.S. Cl. .... D6/366; D6/379

[58] Field of Search ..... D6/366, 379, 334

[56] References Cited

U.S. PATENT DOCUMENTS

- D. 249,405 9/1978 Abasz ..... D6/366
- D. 249,406 9/1978 Ambasz ..... D6/366
- D. 293,517 1/1988 Bellini ..... D6/366

OTHER PUBLICATIONS

Krueger Cat., Vertebra, ©1983, p. 5, Chair, center right.

Primary Examiner—James R. Largen  
Assistant Examiner—Ann Hunt  
Attorney, Agent, or Firm—Fuller, Puerner & Hohenfeldt

[57] CLAIM

The ornamental design for a chair, as shown and described.

DESCRIPTION

FIG. 1 is a side elevational view of the chair showing my new design, the opposite side view being a mirror image;

FIG. 2 is a front elevational view;

FIG. 3 is a top plan view;

FIG. 4 is a rear elevational view;

FIG. 5 is a bottom plan view thereof;

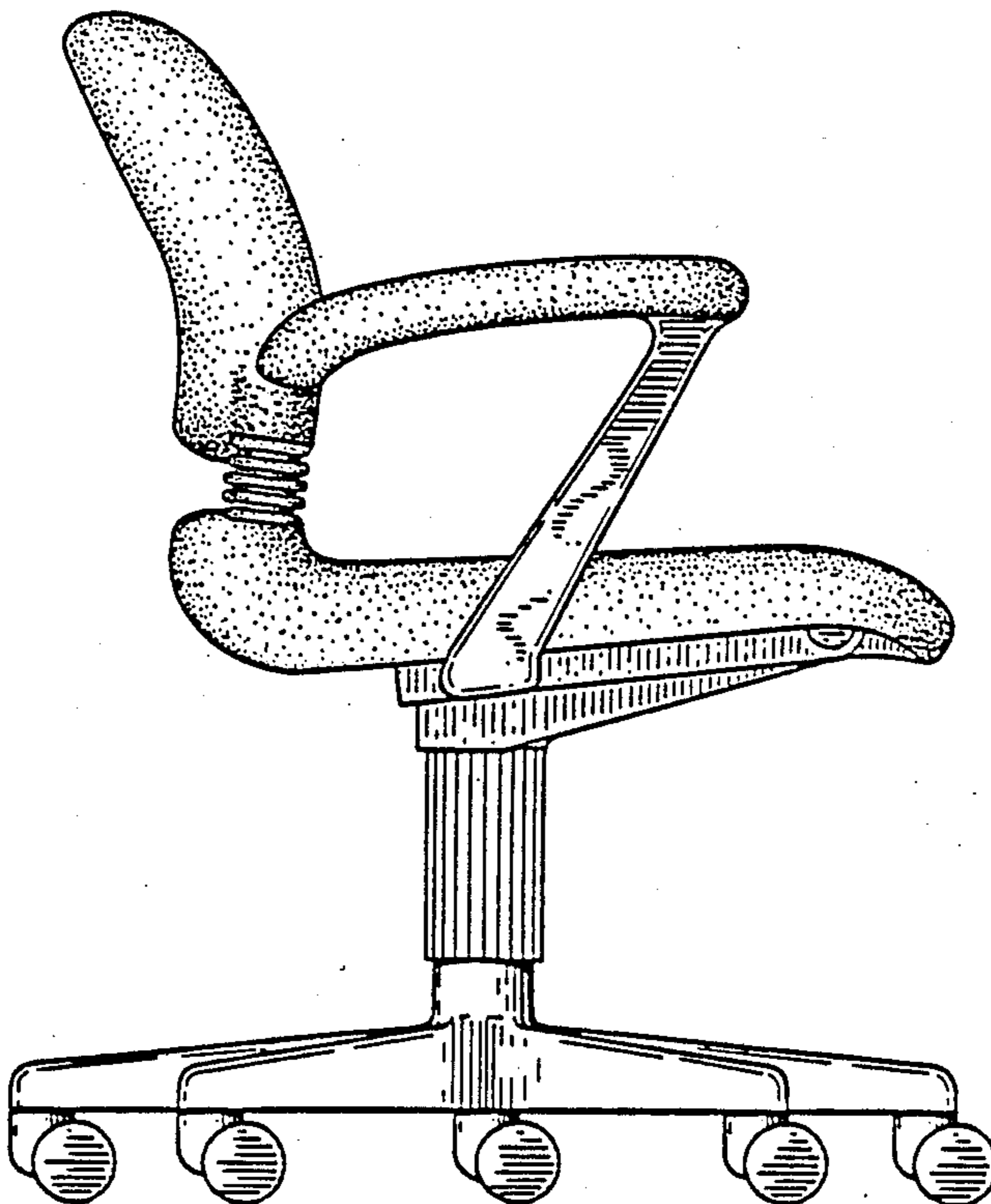
FIG. 6 is a side elevational view of a second embodiment of the chair, the opposite side view being a mirror image;

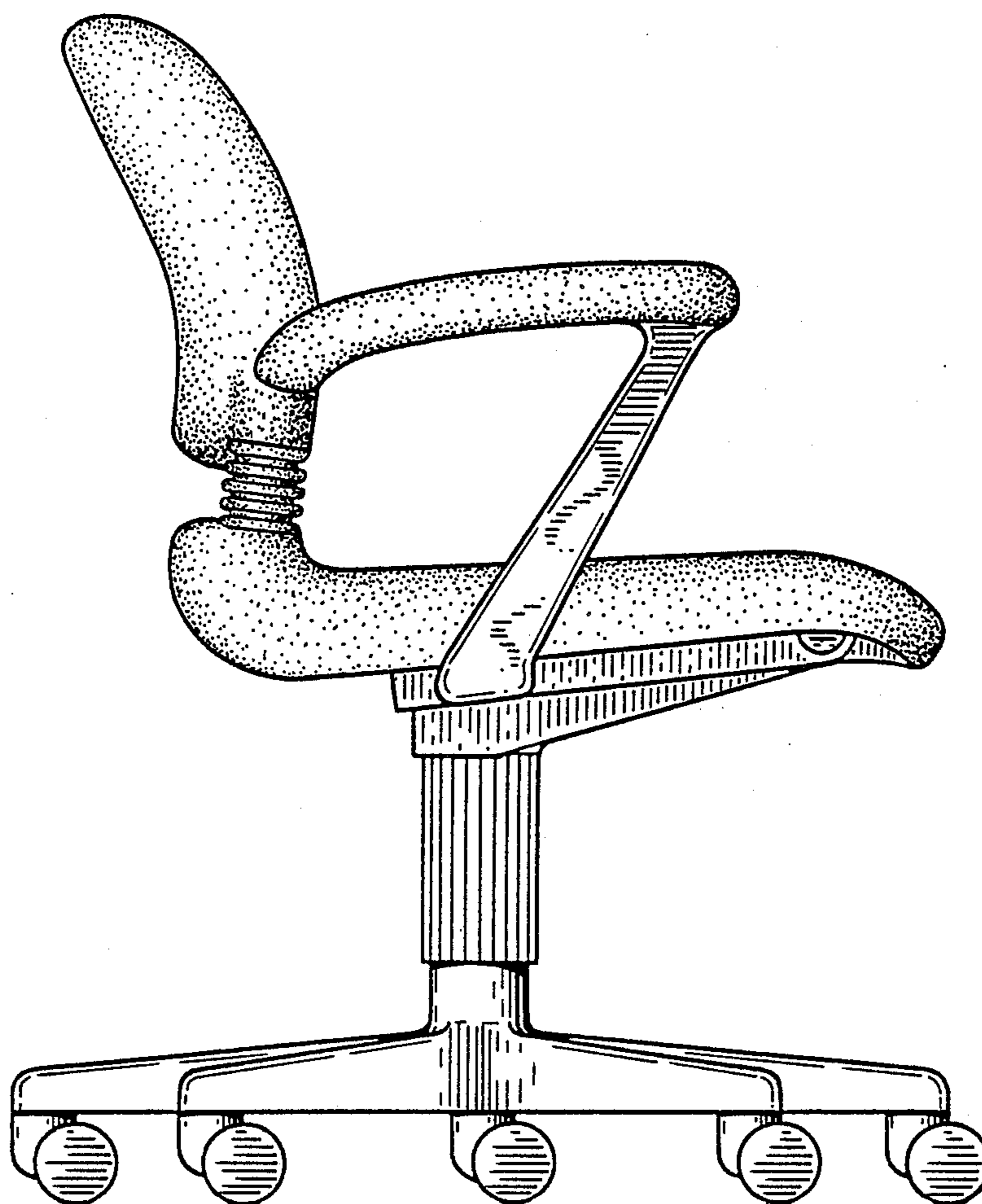
FIG. 7 is a rear elevational view;

FIG. 8 is a bottom plan view;

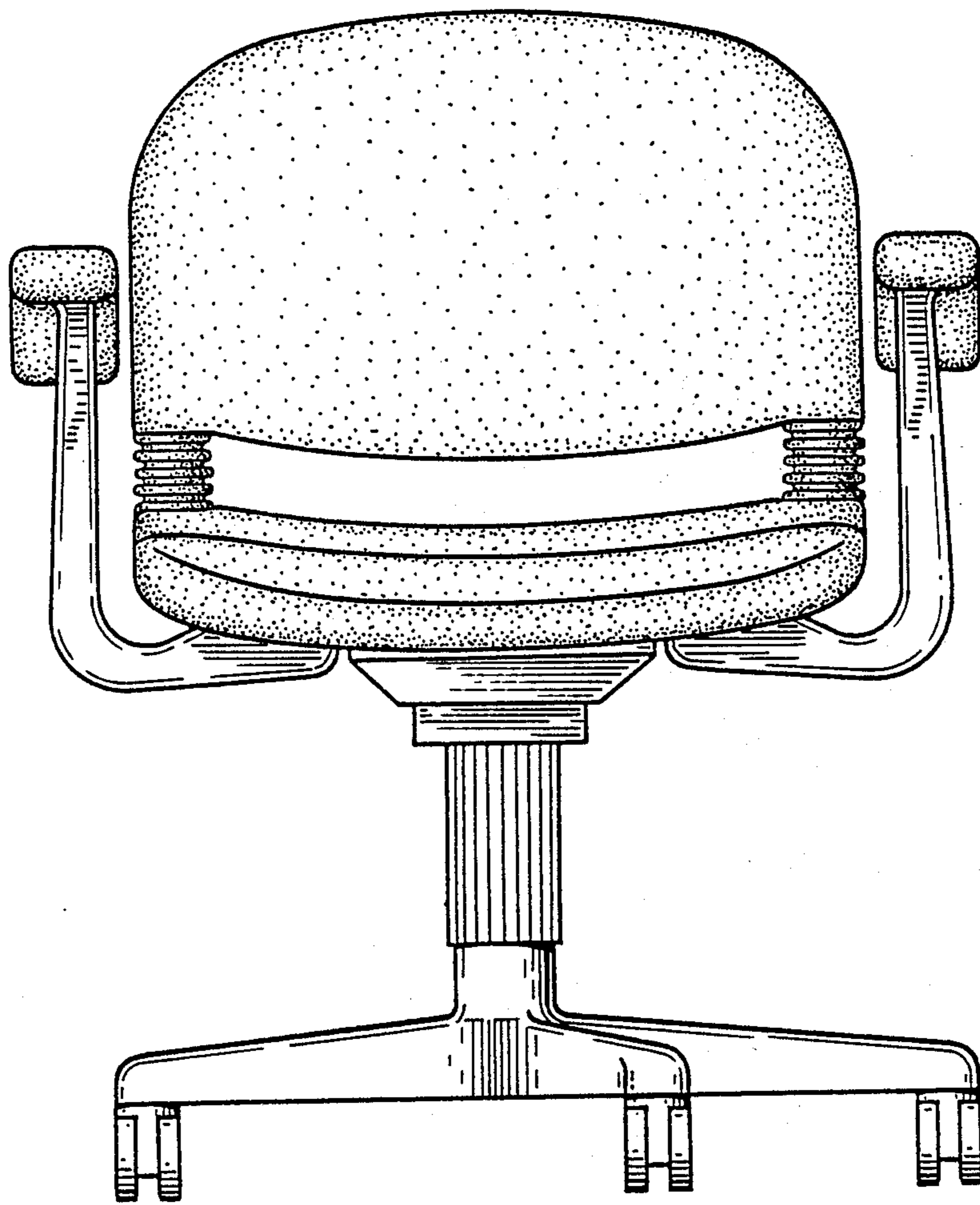
FIG. 9 is a top plan view; and

FIG. 10 is a front elevational view thereof.

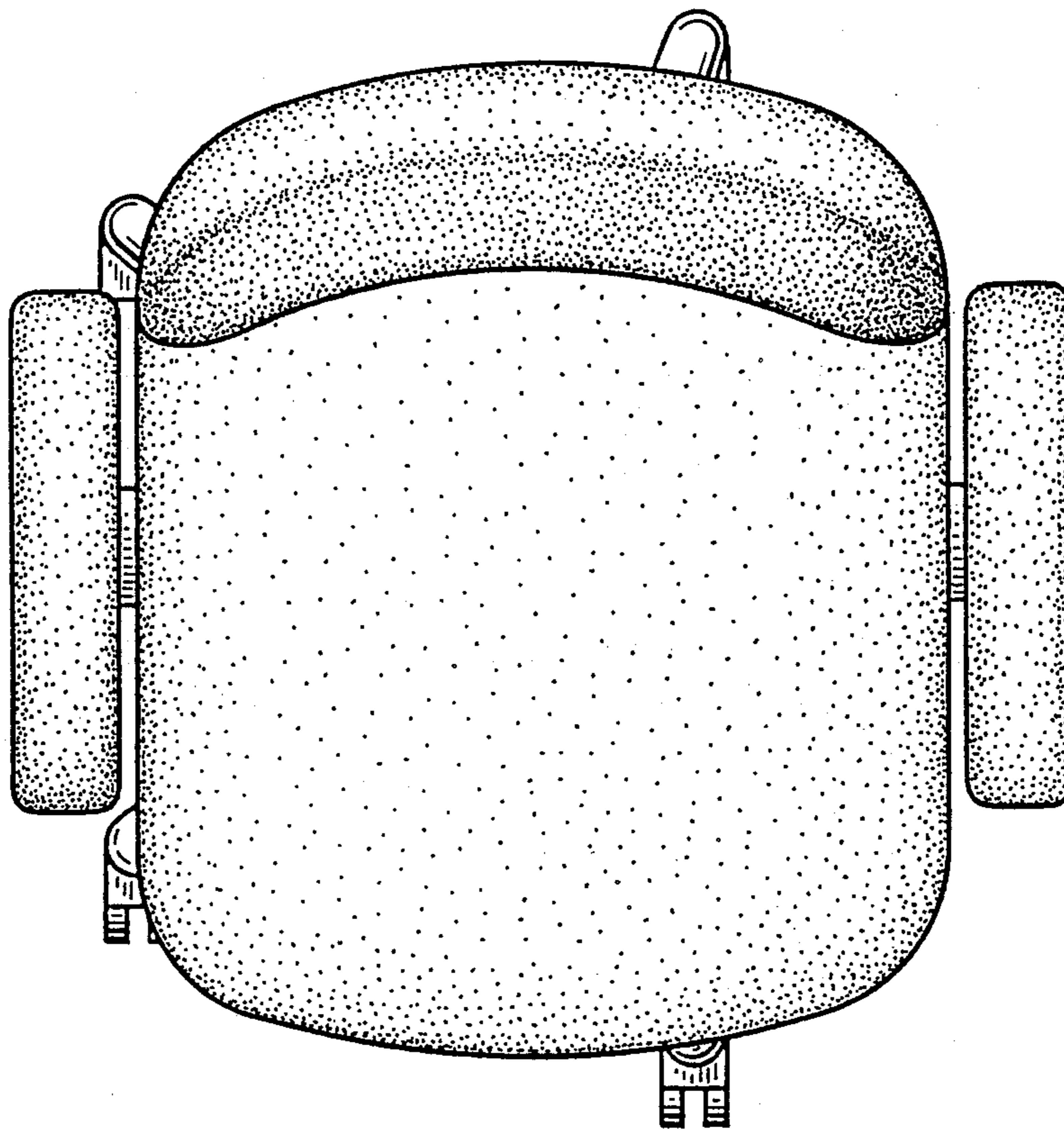




*Fig. 1*

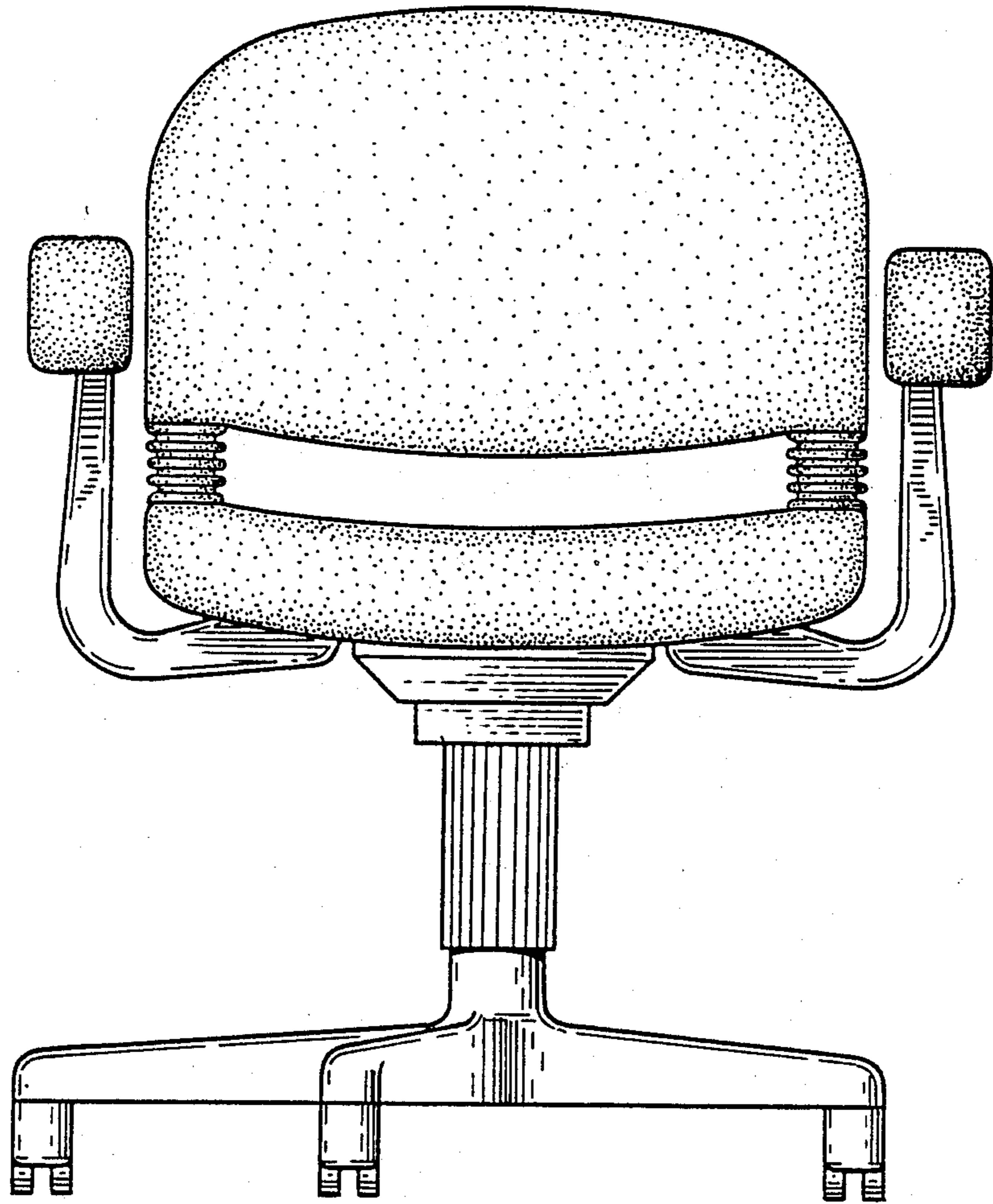


*Fig. 2*

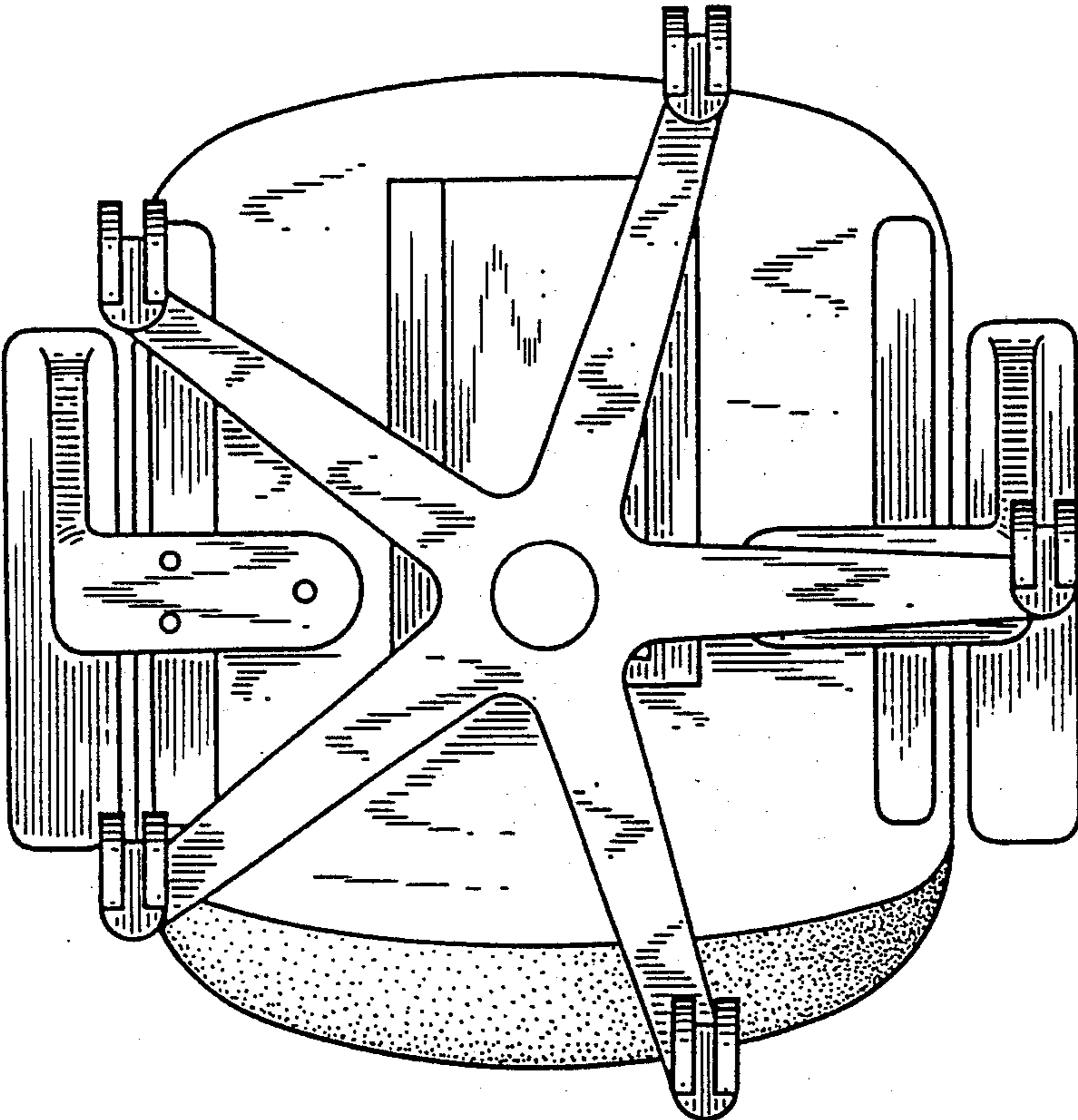


*Fig. 3*

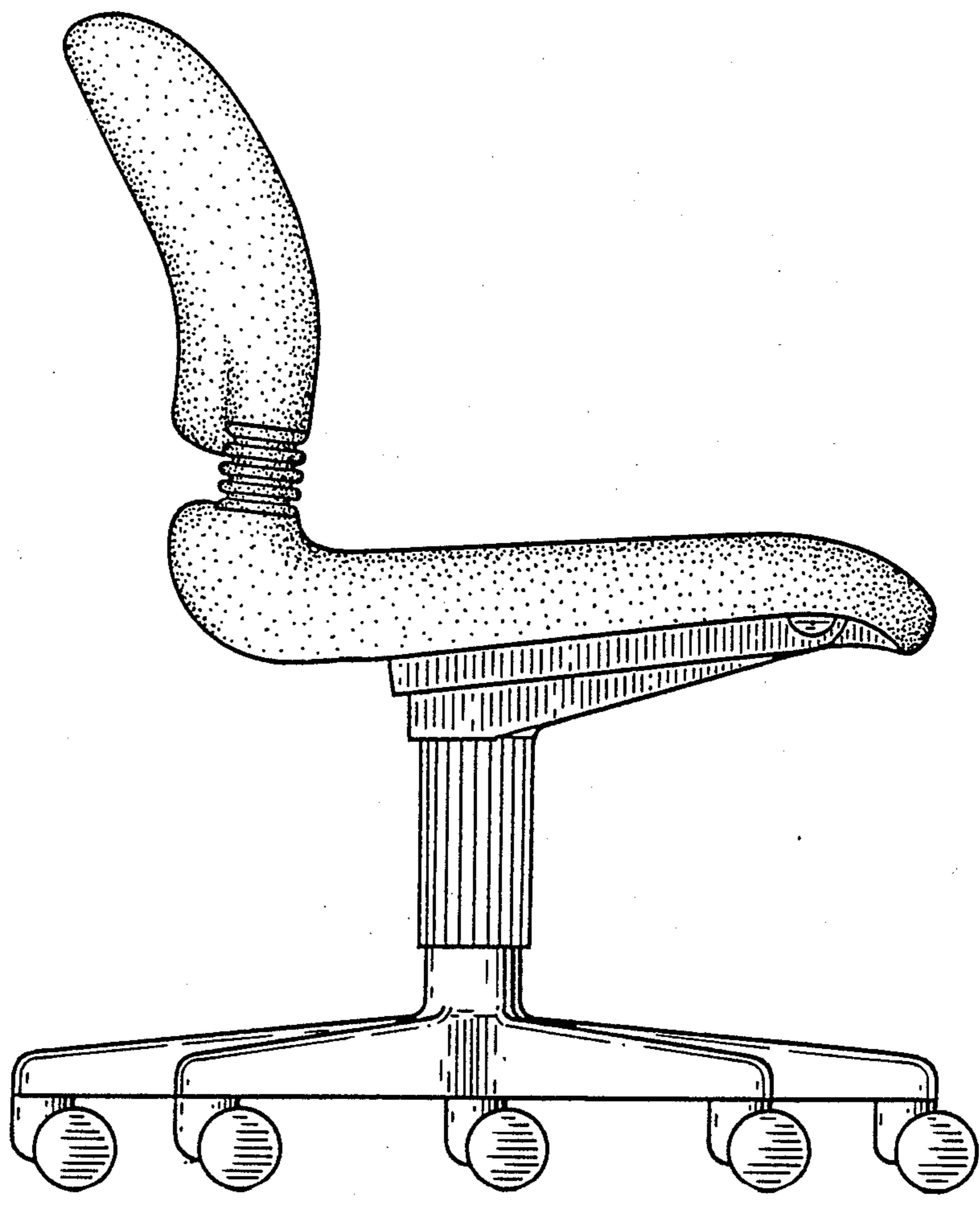




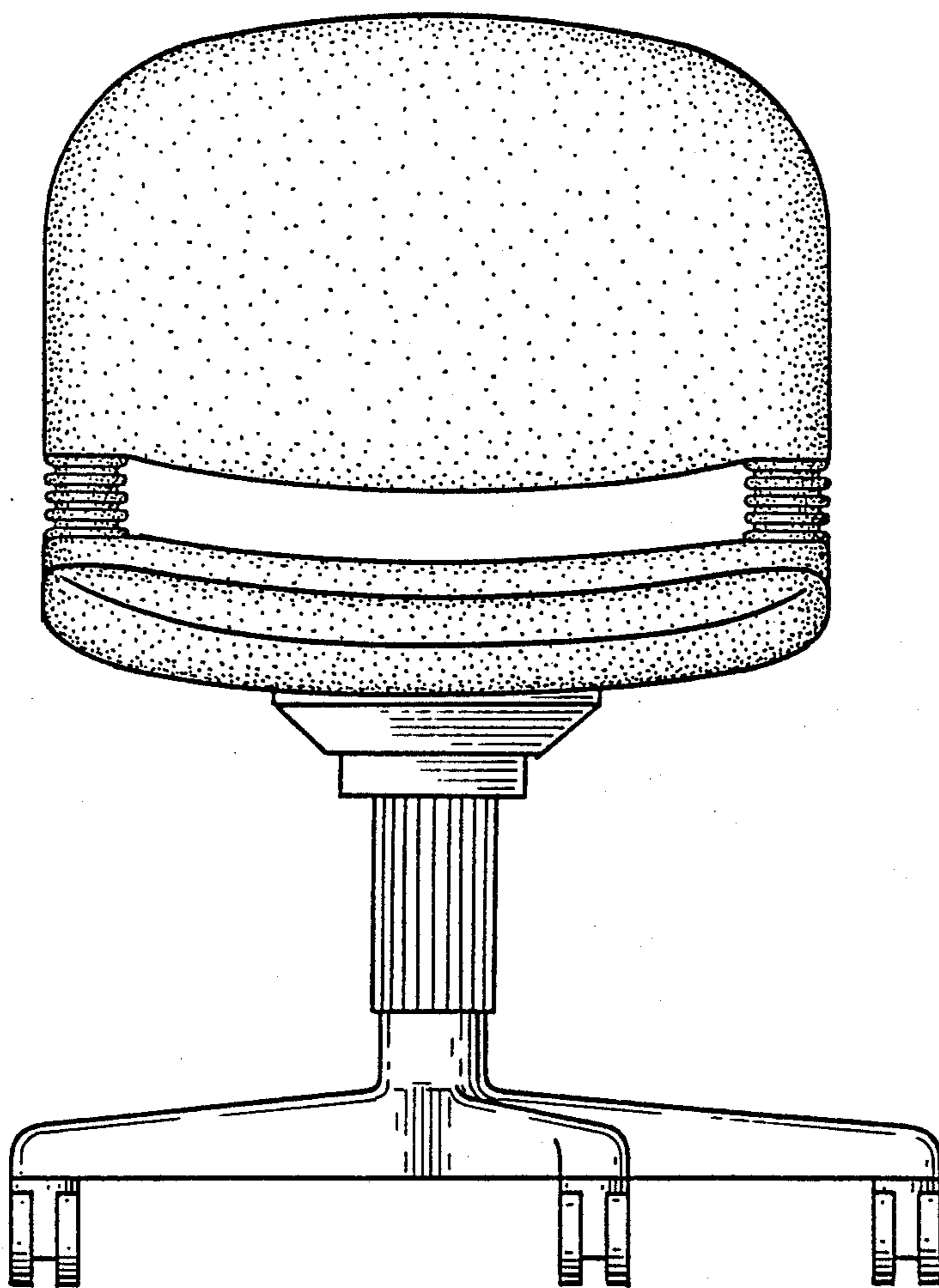
*Fig. 4*



*Fig. 5*

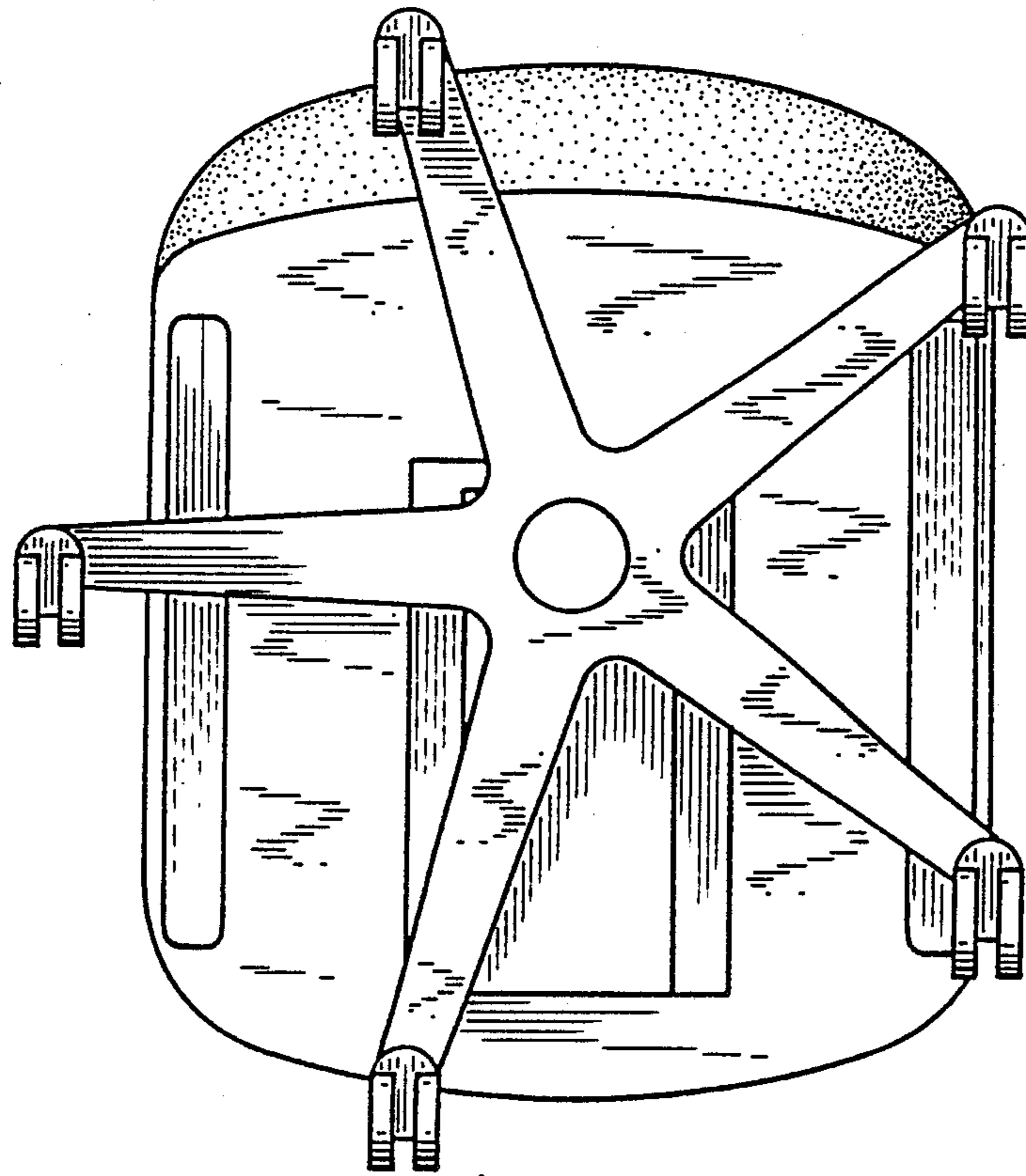


*Fig. 6*

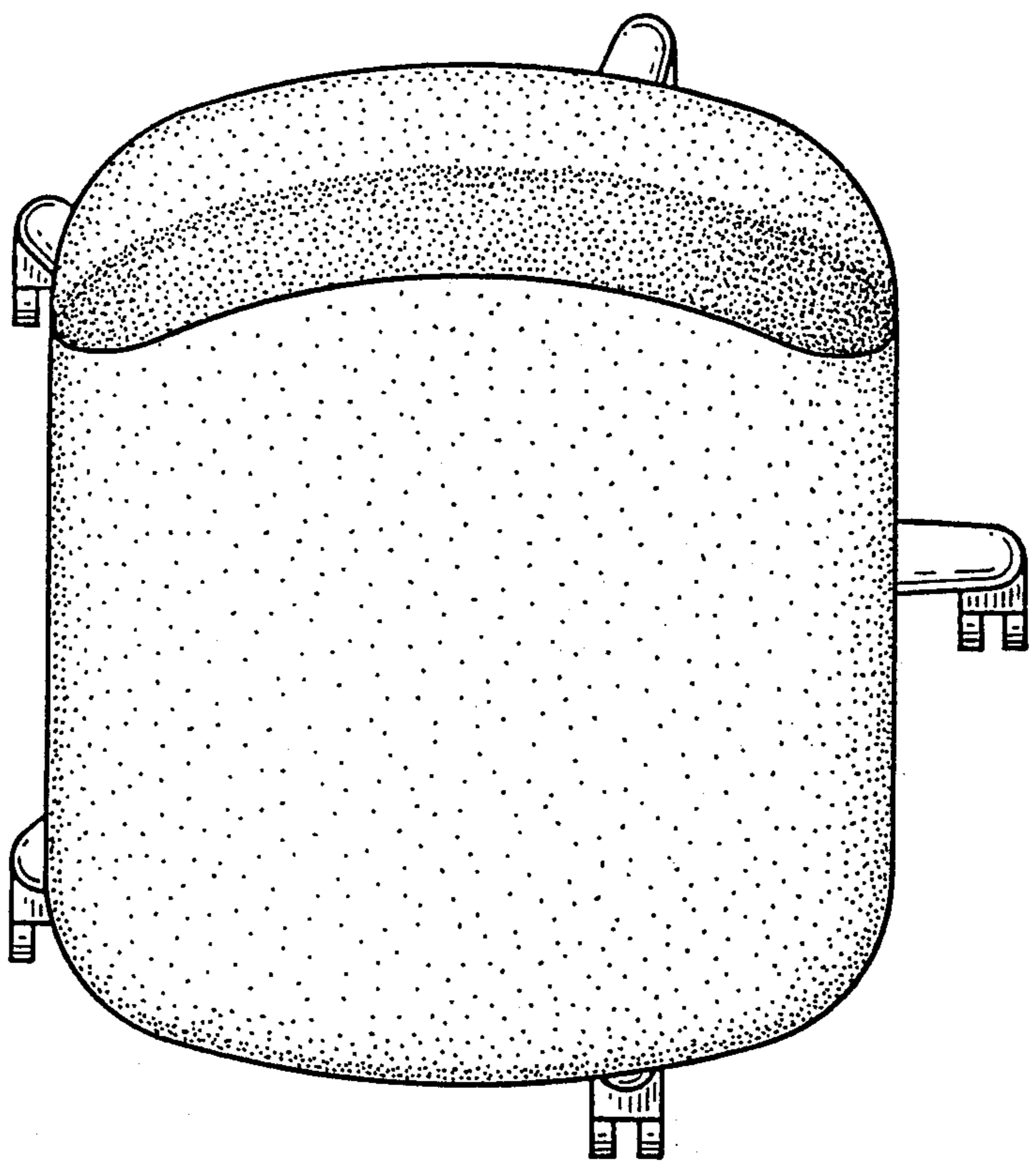


*Fig. 7*

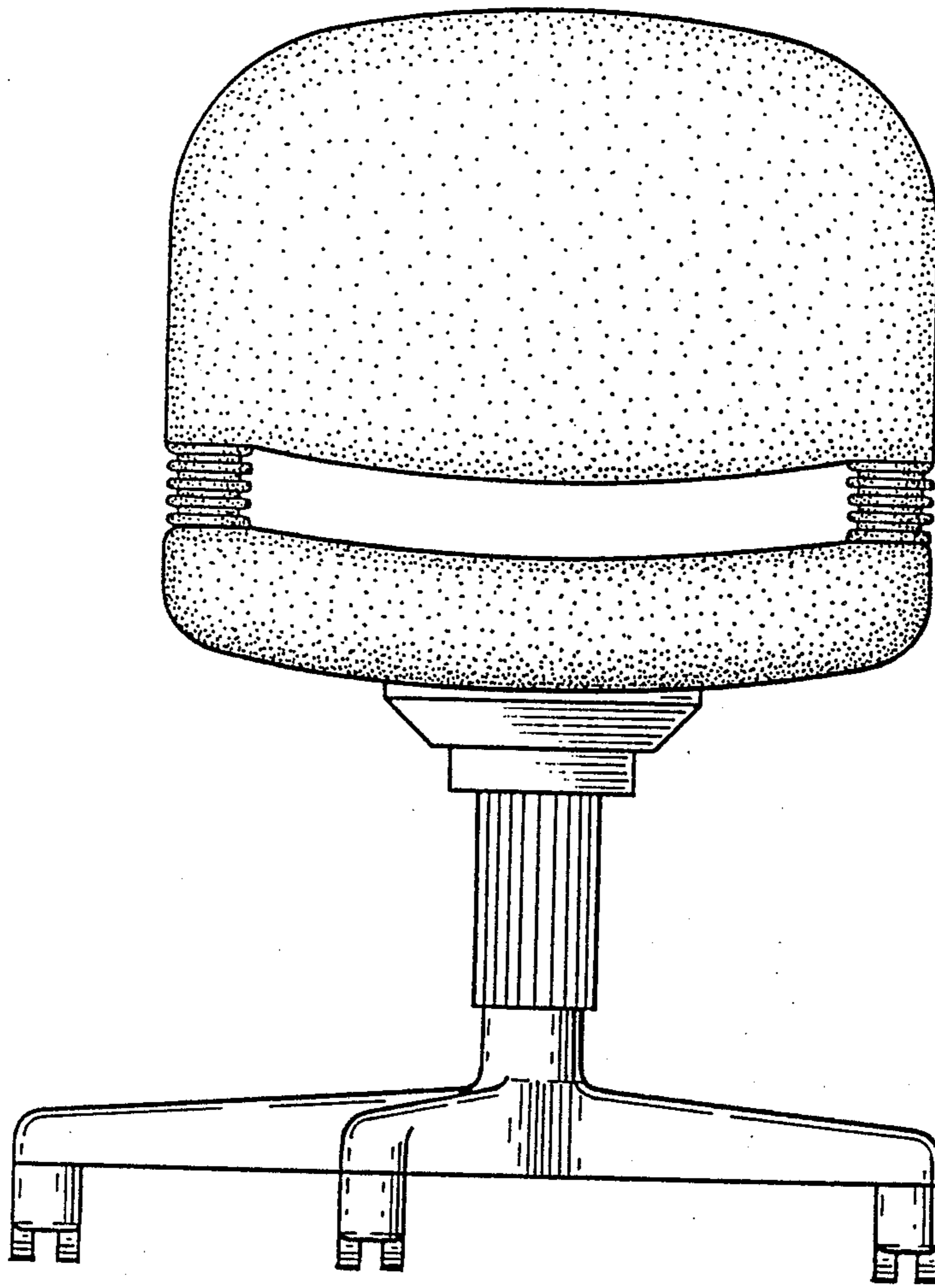




*Fig. 8*



*fig. 9*



*Fig. 10*