

[54] **COSMETIC CASE**

[76] **Inventor: James S. K. Chen, 3F., No. 189, Sec. 4, Hsin-I Rd., Taipei, Taiwan**

[**] **Term: 14 Years**

[21] **Appl. No.: 106,320**

[22] **Filed: Oct. 9, 1987**

[52] **U.S. Cl. D3/39; D28/76; D28/83**

[58] **Field of Search D3/30.1, 39; D9/122-123, 347; 132/293-336**

[56] **References Cited**

U.S. PATENT DOCUMENTS

- D. 160,751 11/1949 Talcove D28/83 X
- D. 214,026 5/1969 Rakocy D9/341
- D. 220,789 5/1971 Haddaway D28/77 X
- D. 256,172 7/1980 Chevassus D28/83
- 3,342,190 7/1964 Hultgren et al. 132/301 X

4,589,431 5/1986 Yuhara 132/301

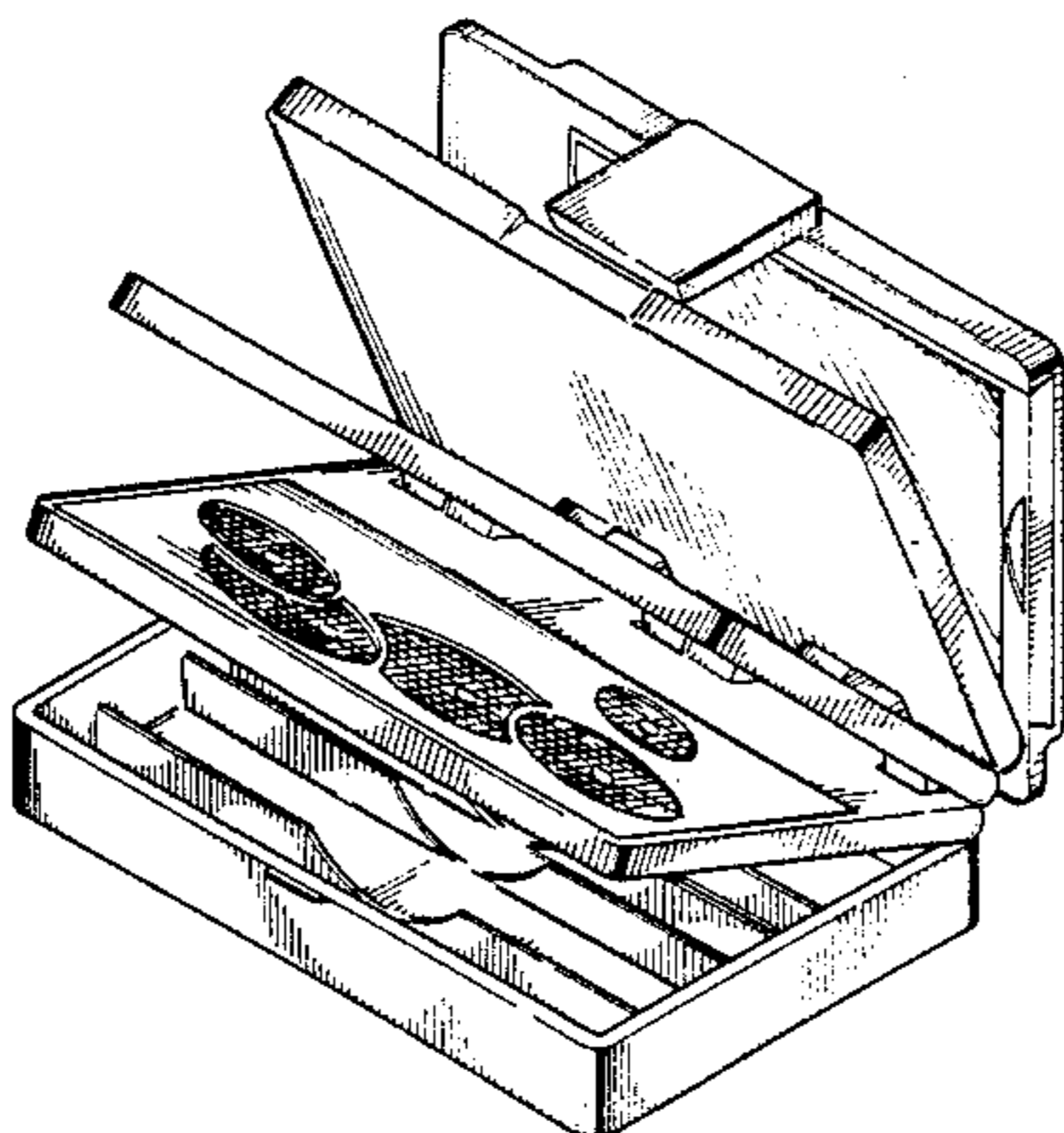
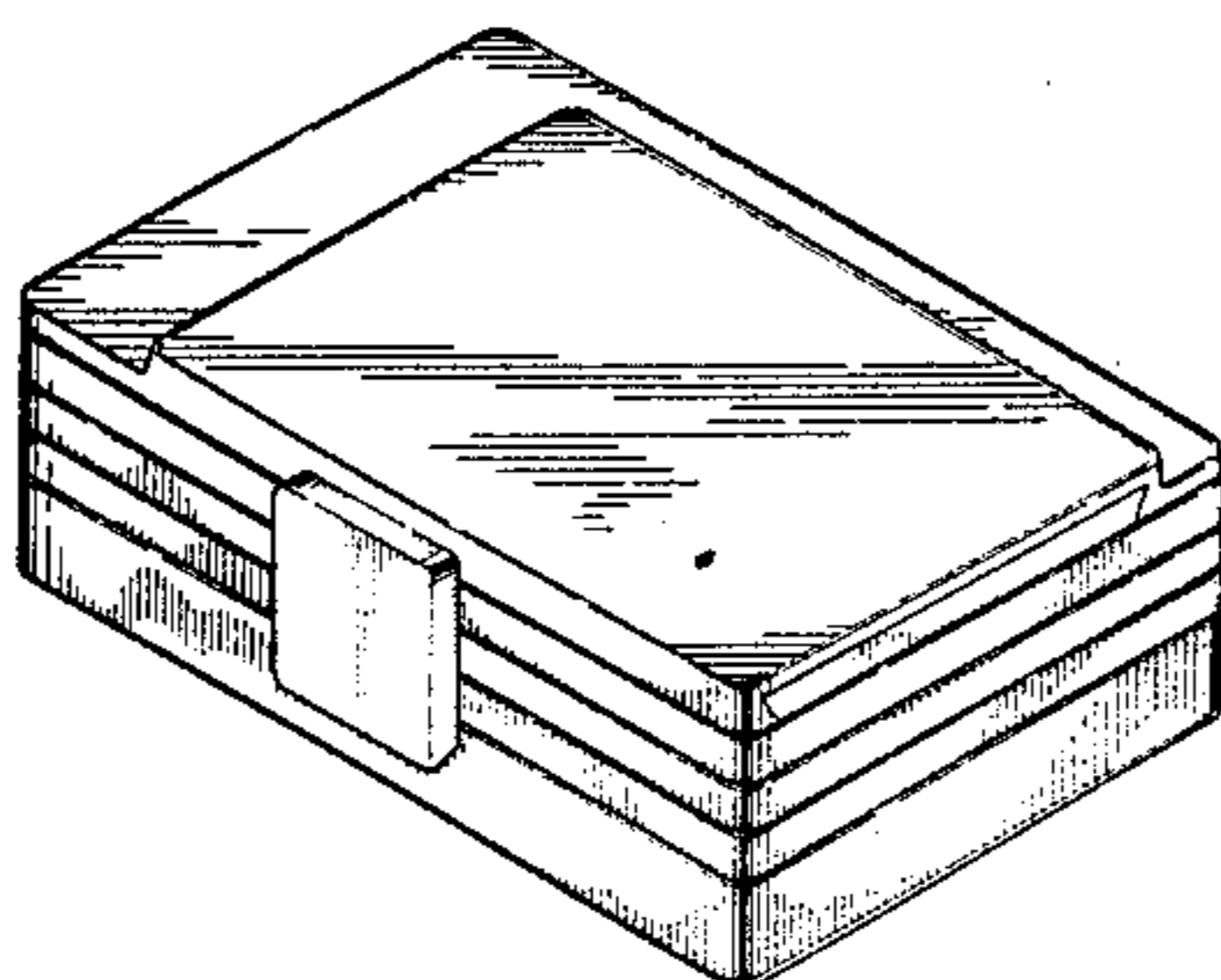
Primary Examiner—Bernard Ansher
Assistant Examiner—Catherine Tuttle
Attorney, Agent, or Firm—Leonard Bloom

[57] **CLAIM**

The ornamental design for a cosmetic case, substantially as described and shown.

DESCRIPTION

FIG. 1 is a perspective view of a cosmetic case showing my design;
FIG. 2 is a front view thereof;
FIG. 3 is a rear view thereof;
FIG. 4 is a left side view thereof;
FIG. 5 is a right side view thereof;
FIG. 6 is a top plan view thereof;
FIG. 7 is a bottom plan view thereof; and
FIG. 8 is a perspective view thereof showing the opened appearance.



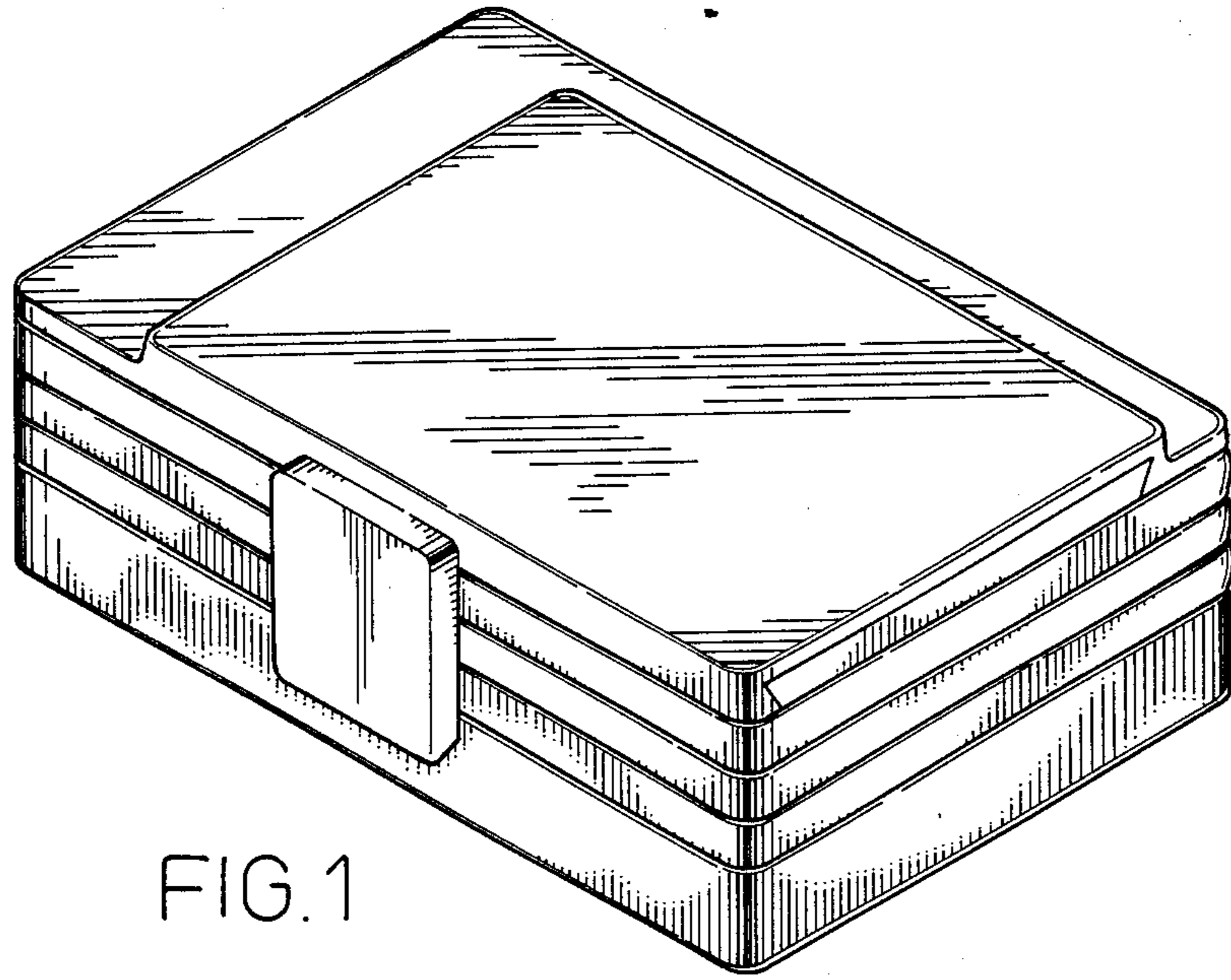


FIG. 1

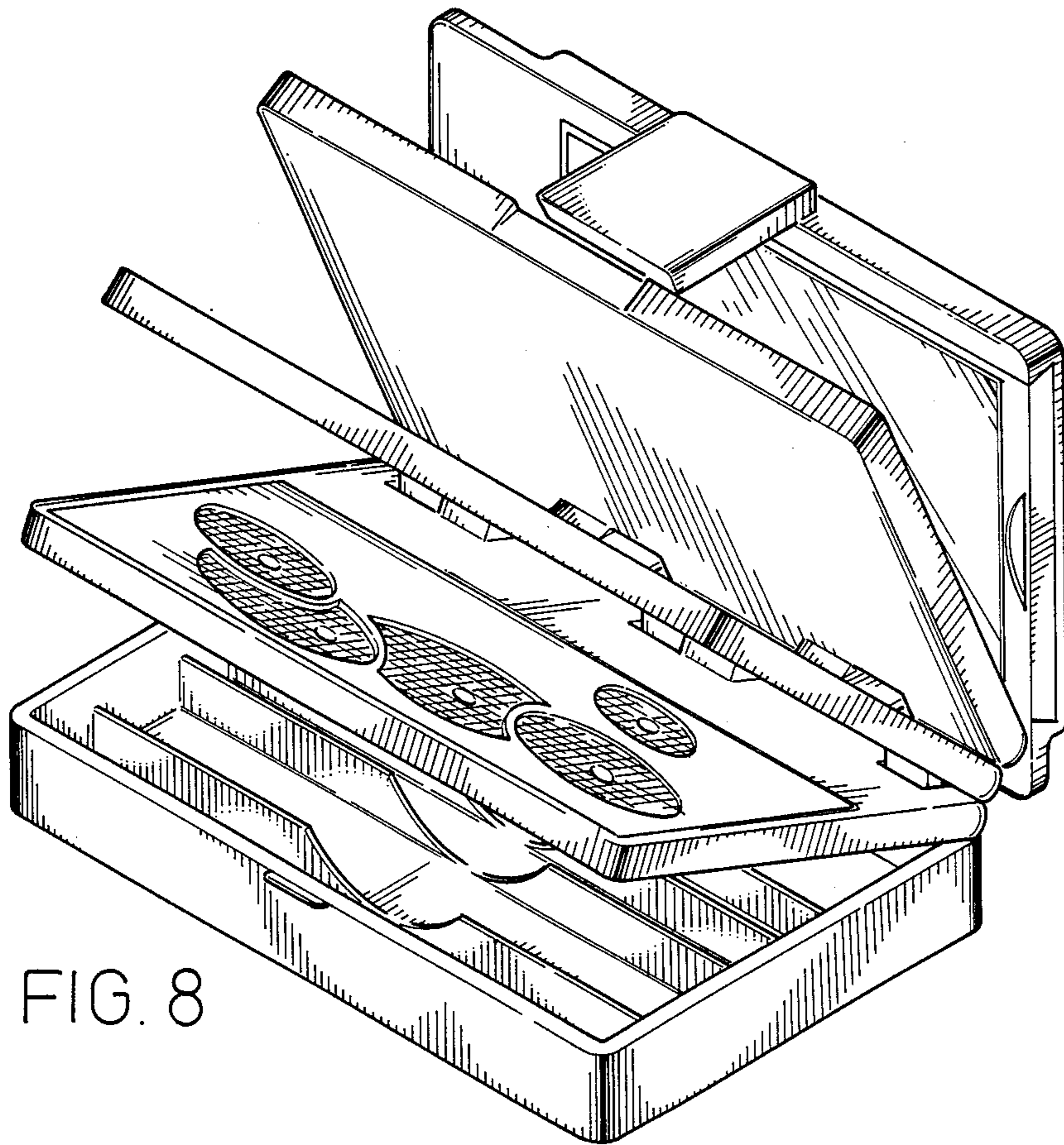


FIG. 8

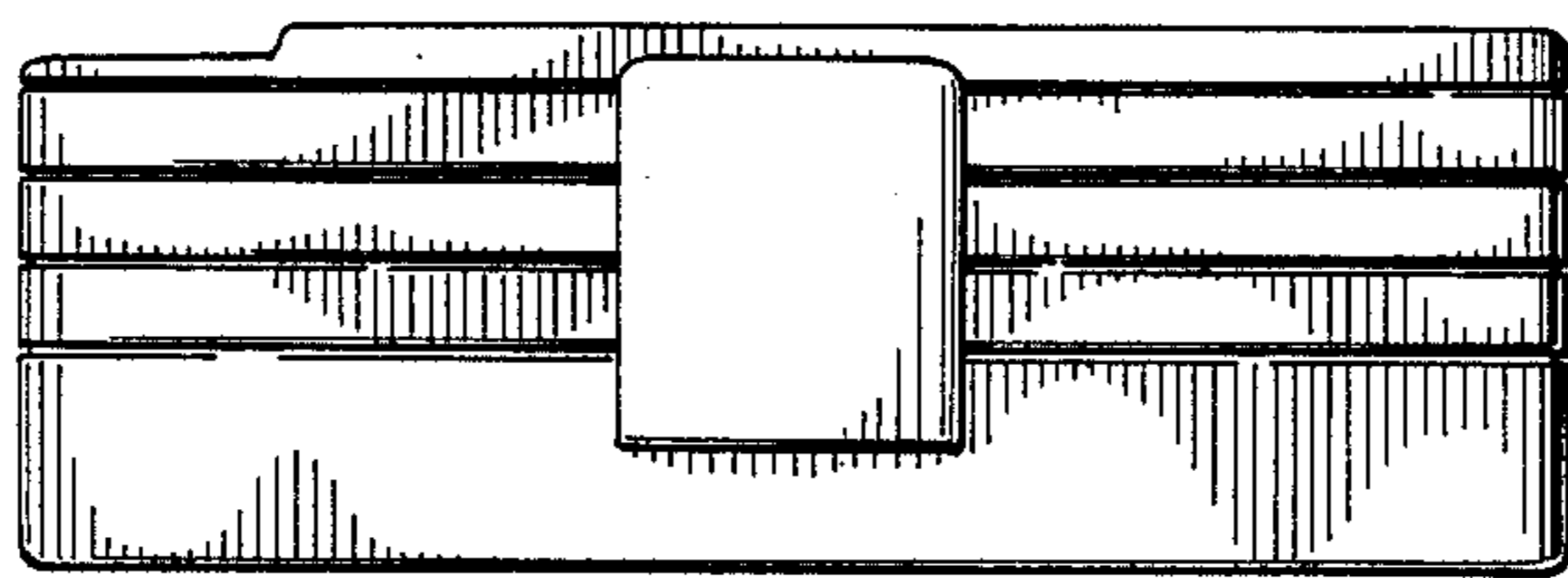


FIG. 2

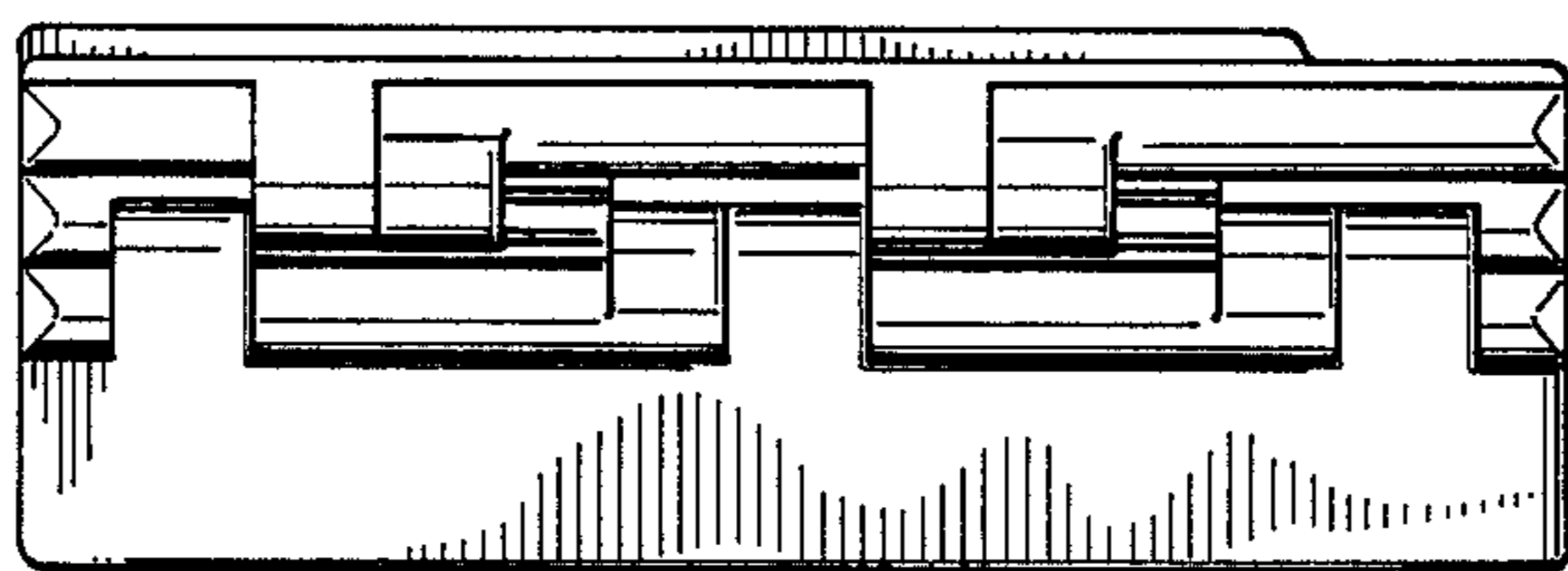


FIG. 3

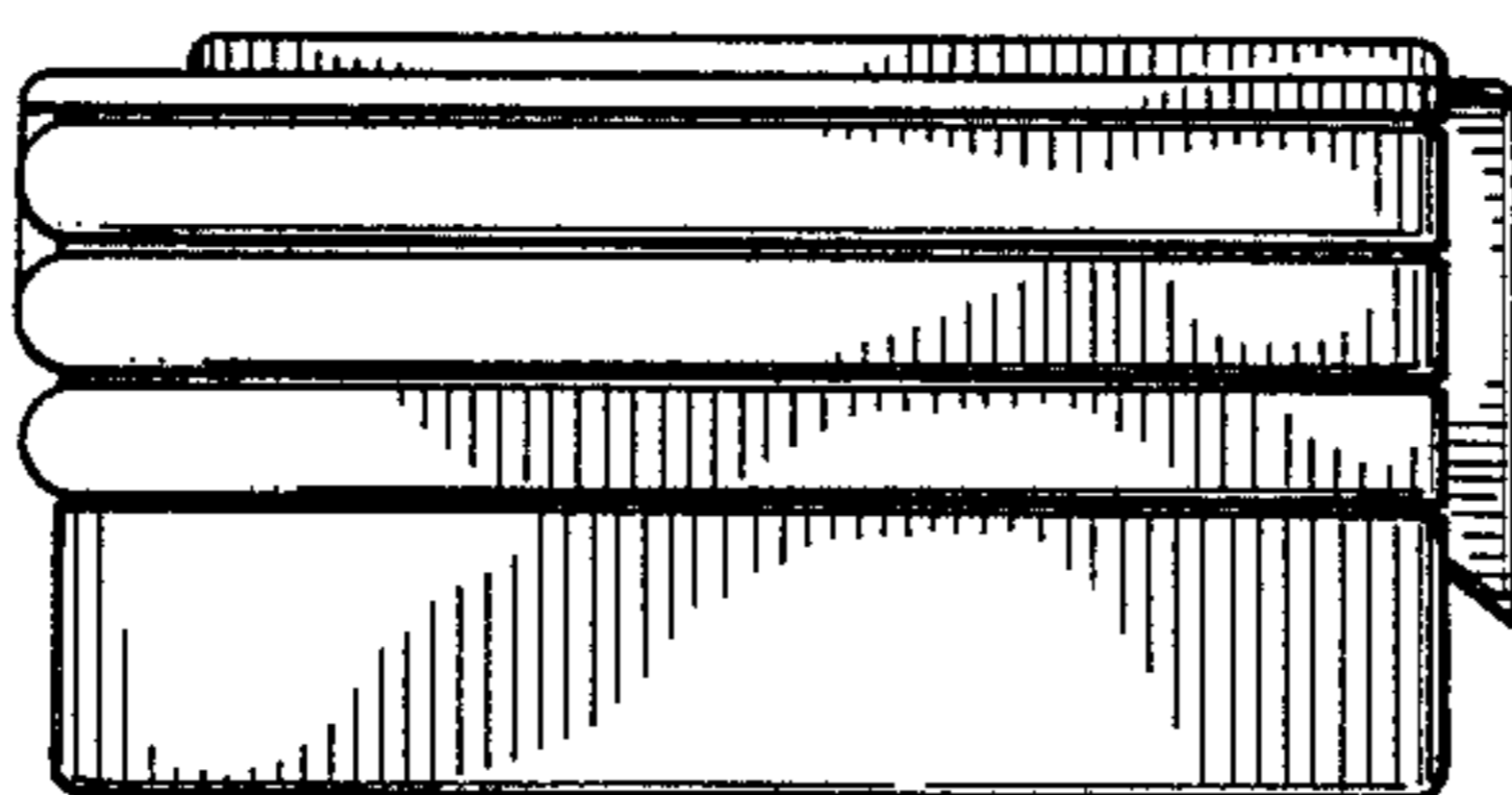


FIG. 4

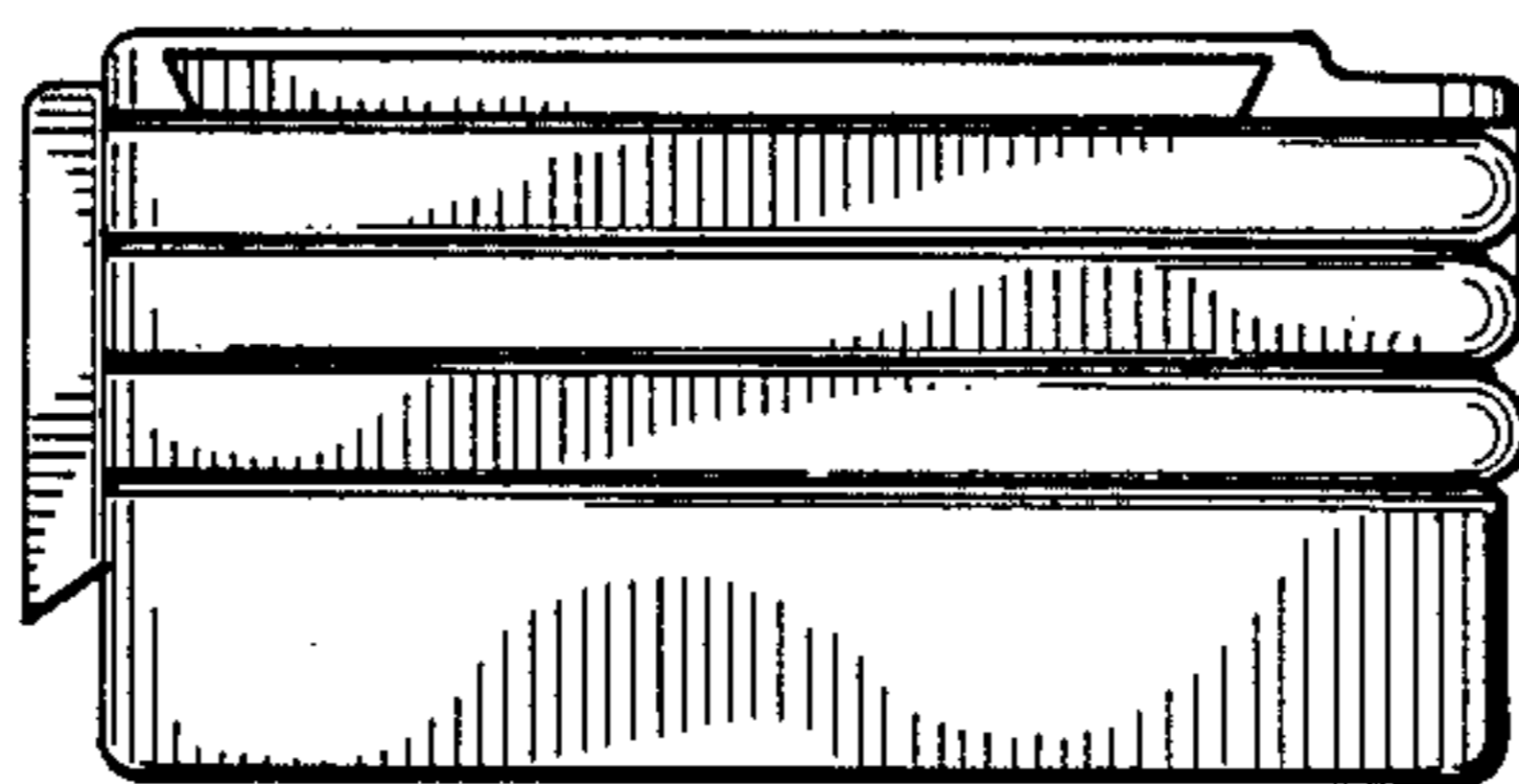


FIG. 5

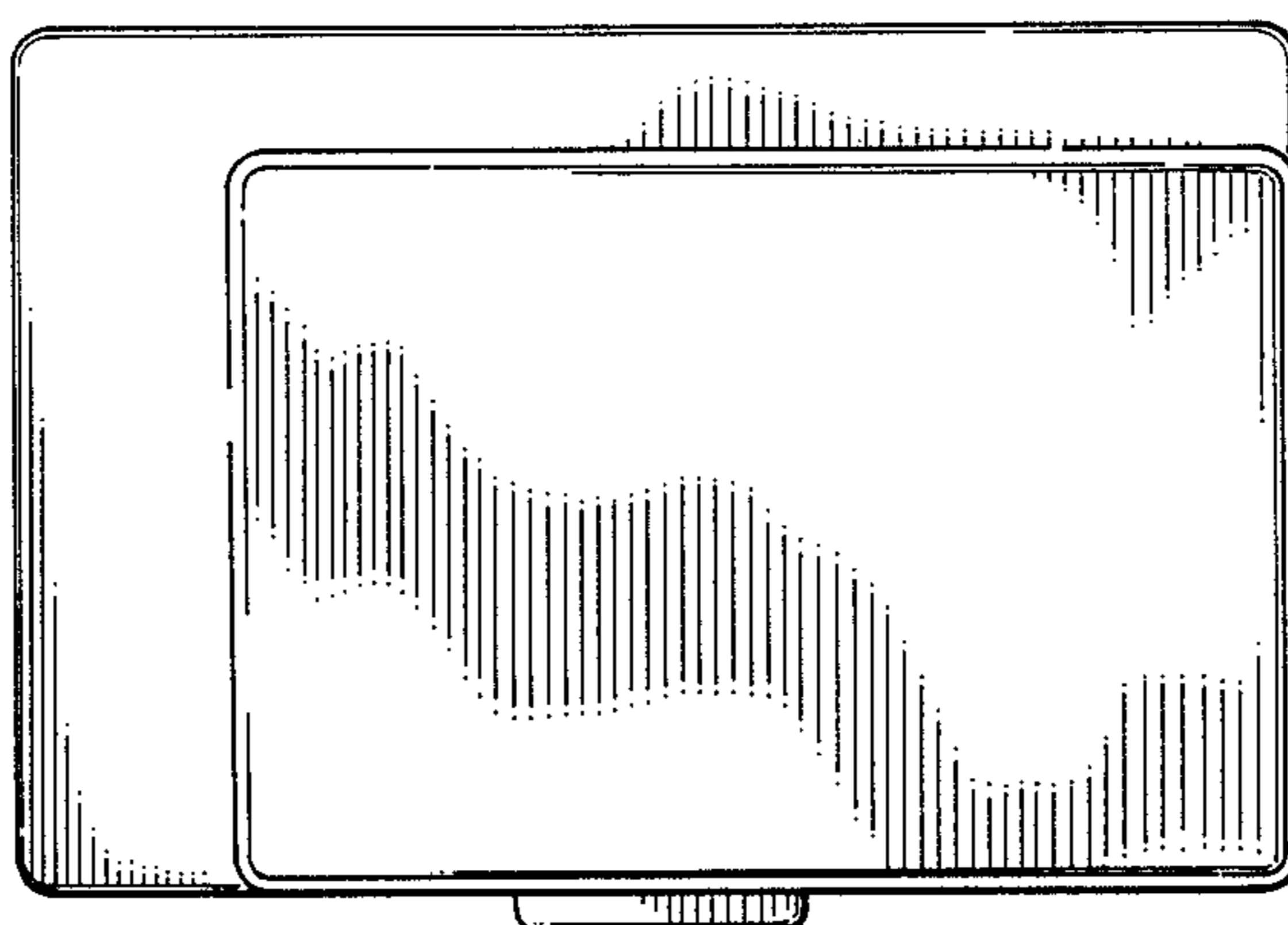


FIG. 6

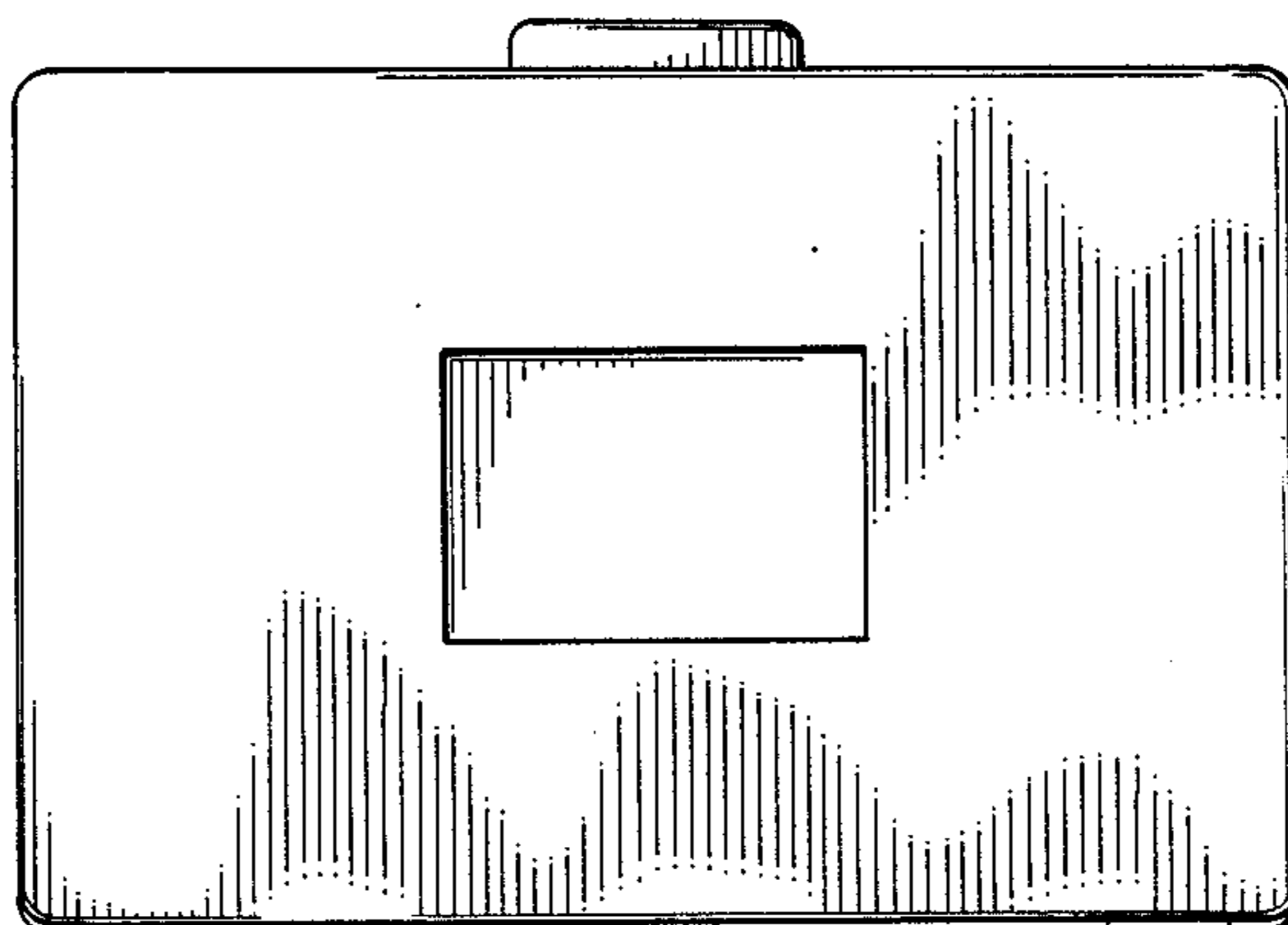


FIG. 7