

[54] **DISC FILE**

[75] **Inventors:** Stephen H. Wolff, New York, N.Y.;
Michael J. Hennigan, Chatham, N.J.

[73] **Assignee:** The Wolff Marketing Group Inc.,
New York, N.Y.

[**] **Term:** 14 Years

[21] **Appl. No.:** 884,410

[22] **Filed:** Jul. 11, 1986

[52] **U.S. Cl. D3/35**

[58] **Field of Search D3/35**

[56] **References Cited**

U.S. PATENT DOCUMENTS

- D. 235,833 7/1975 McRae D3/35 X
- D. 281,207 11/1985 Armbruster D3/35 X
- D. 293,279 12/1987 Evans D3/35
- D. 299,474 1/1989 Klodt D3/35 X

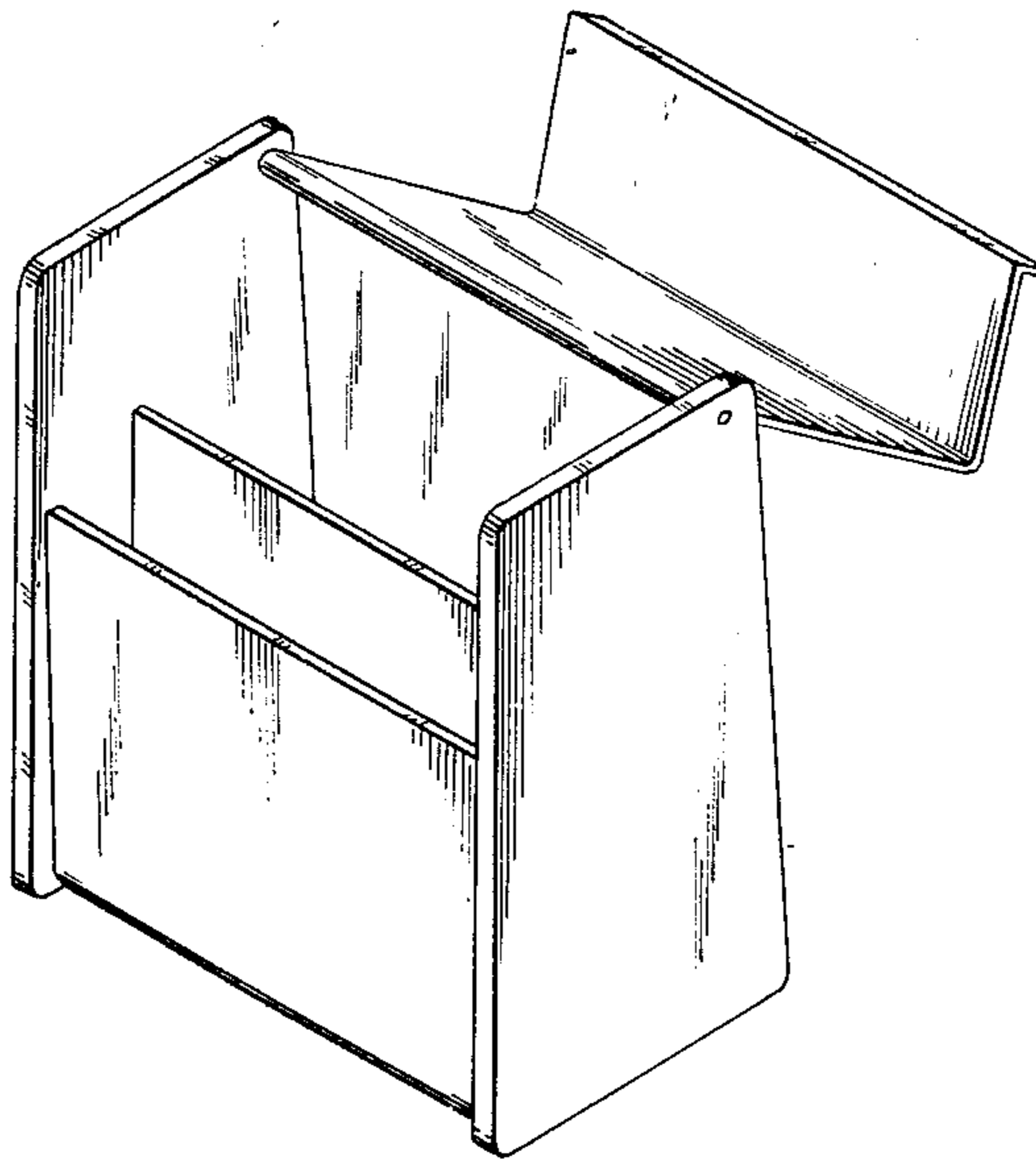
Primary Examiner—Bruce W. Dunkins
Assistant Examiner—Y. Brunot
Attorney, Agent, or Firm—Jacobs & Jacobs

[57] **CLAIM**

The ornamental design for a disc file, as shown and described.

DESCRIPTION

FIG. 1 is a perspective view of a disc file with the cover closed, showing our new design;
 FIG. 2 is a view similar to FIG. 1 with the cover open;
 FIG. 3 is a front elevational view;
 FIG. 4 is a top plan view;
 FIG. 5 is a bottom plan view;
 FIG. 6 is a right side elevational view, the left side being the mirror image thereof;
 FIG. 7 is a rear elevational view;
 FIG. 8 is a sectional view taken along the lines 8—8 of FIG. 7;
 FIG. 9 is a sectional view taken along the lines 9—9 of FIG. 8;
 FIG. 10 is a sectional view taken along the lines 10—10 of FIG. 8;
 FIG. 11 is a sectional view taken along the lines 11—11 of FIG. 9; and
 FIG. 12 is a sectional view taken along the lines 12—12 of FIG. 11.



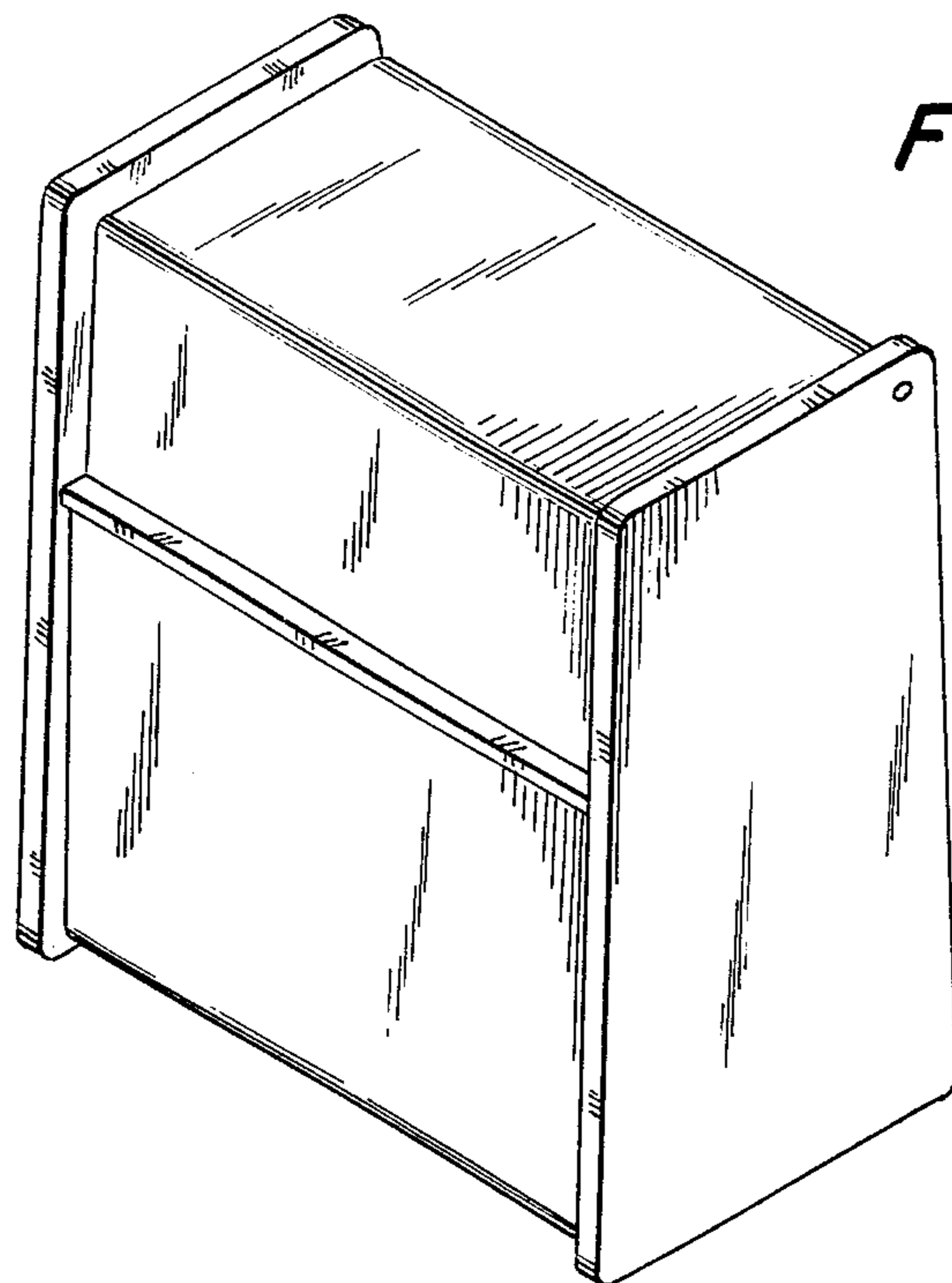


FIG. 1

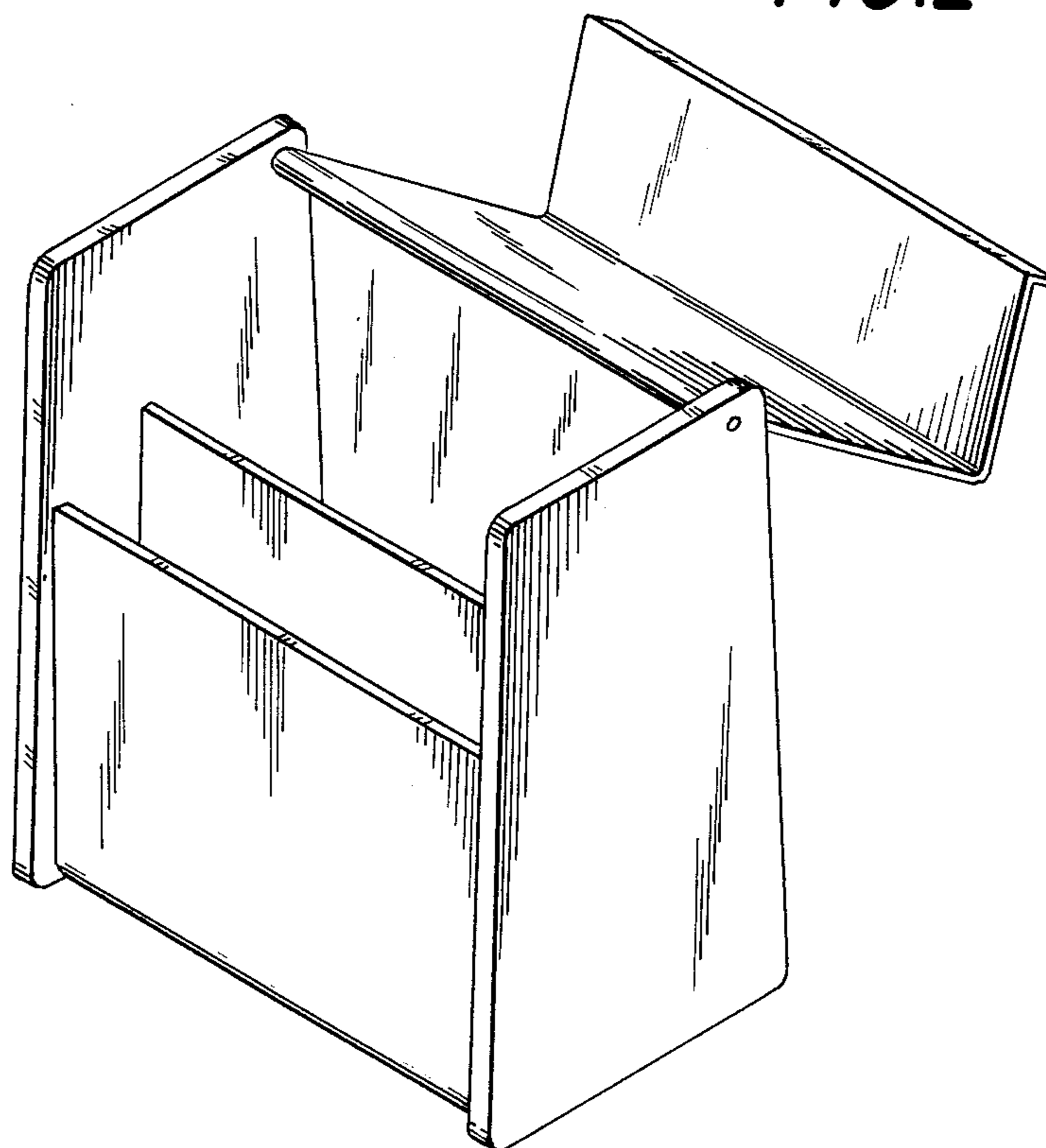


FIG. 2

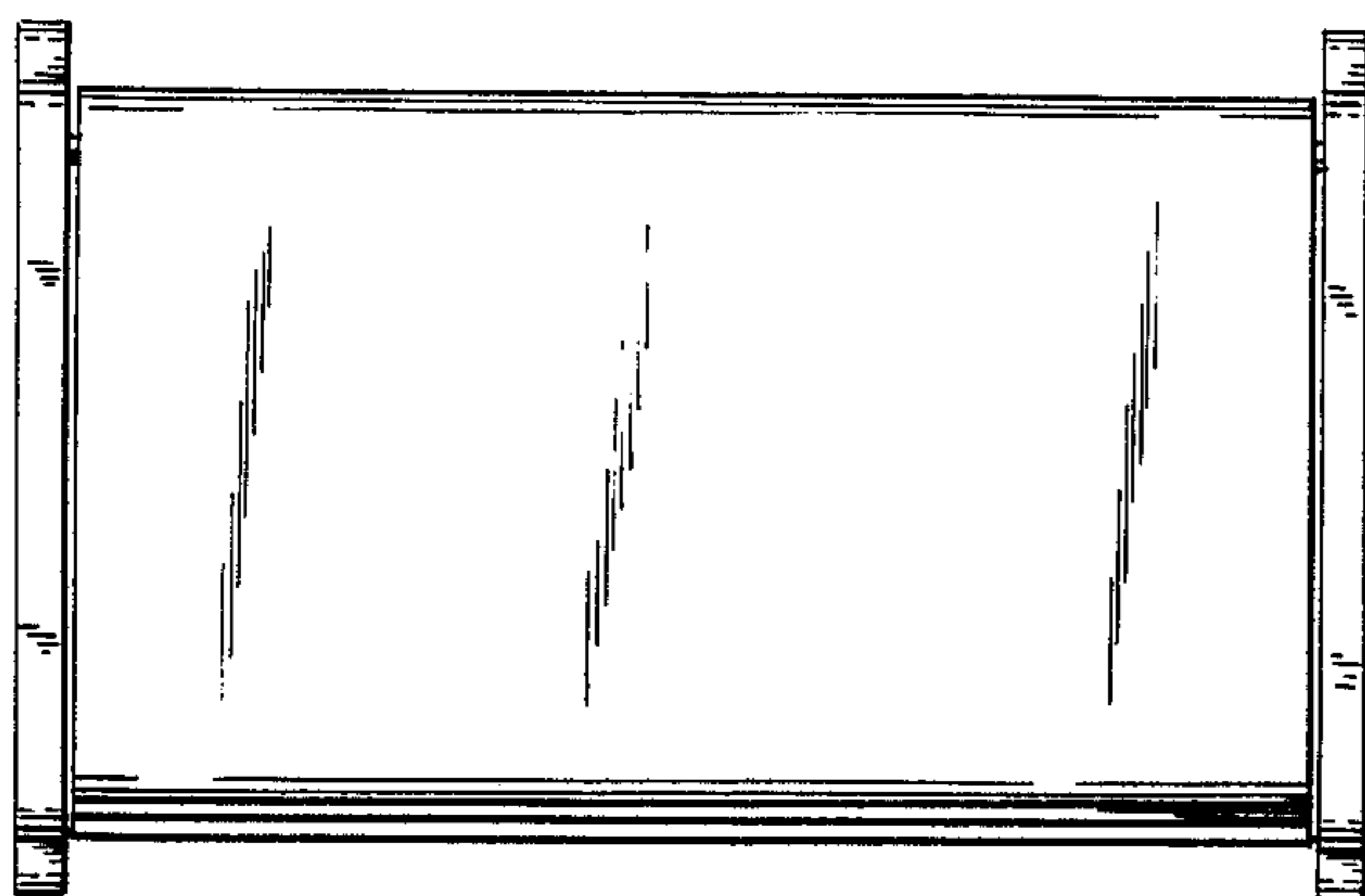


FIG. 4

FIG. 3

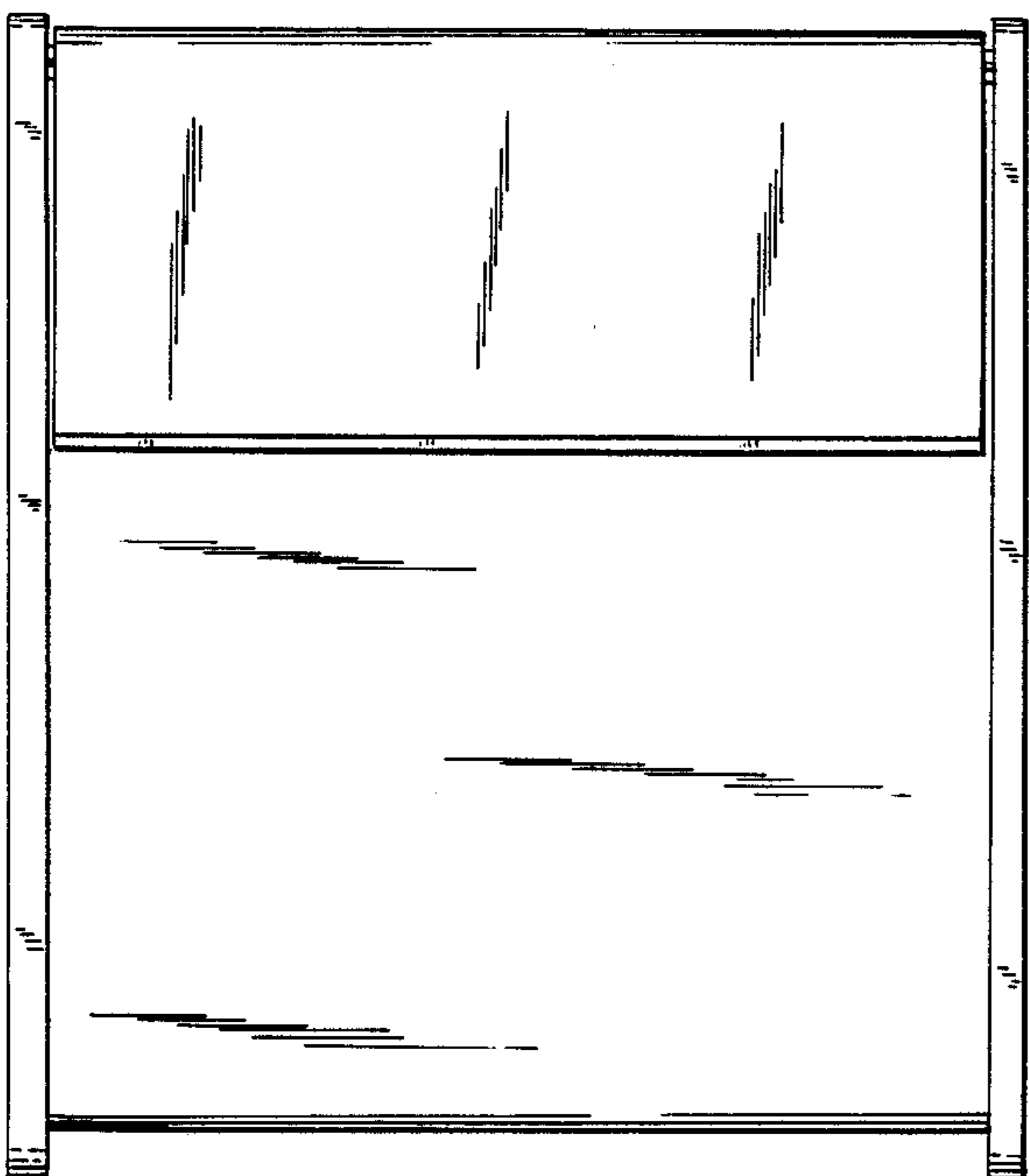


FIG. 6

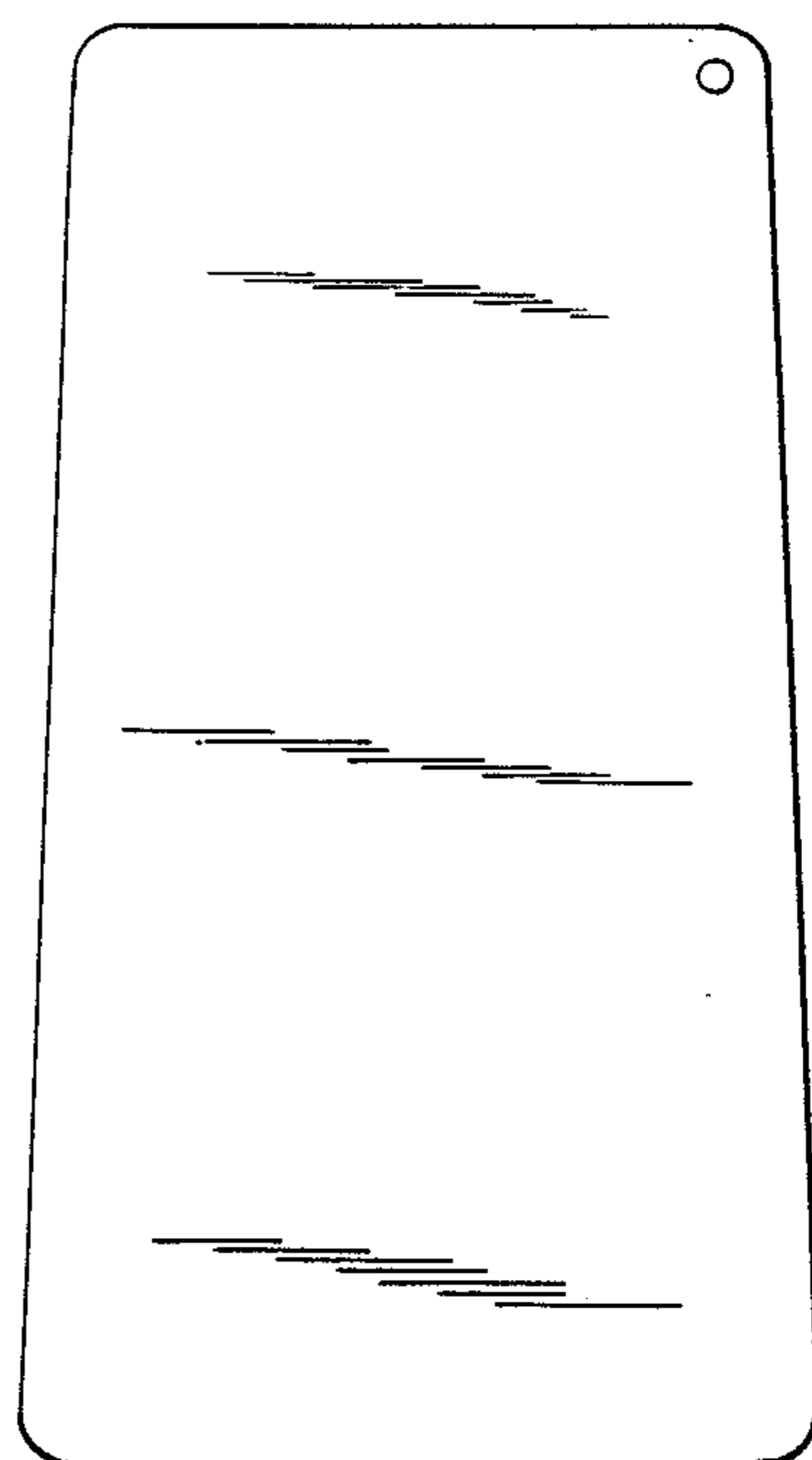
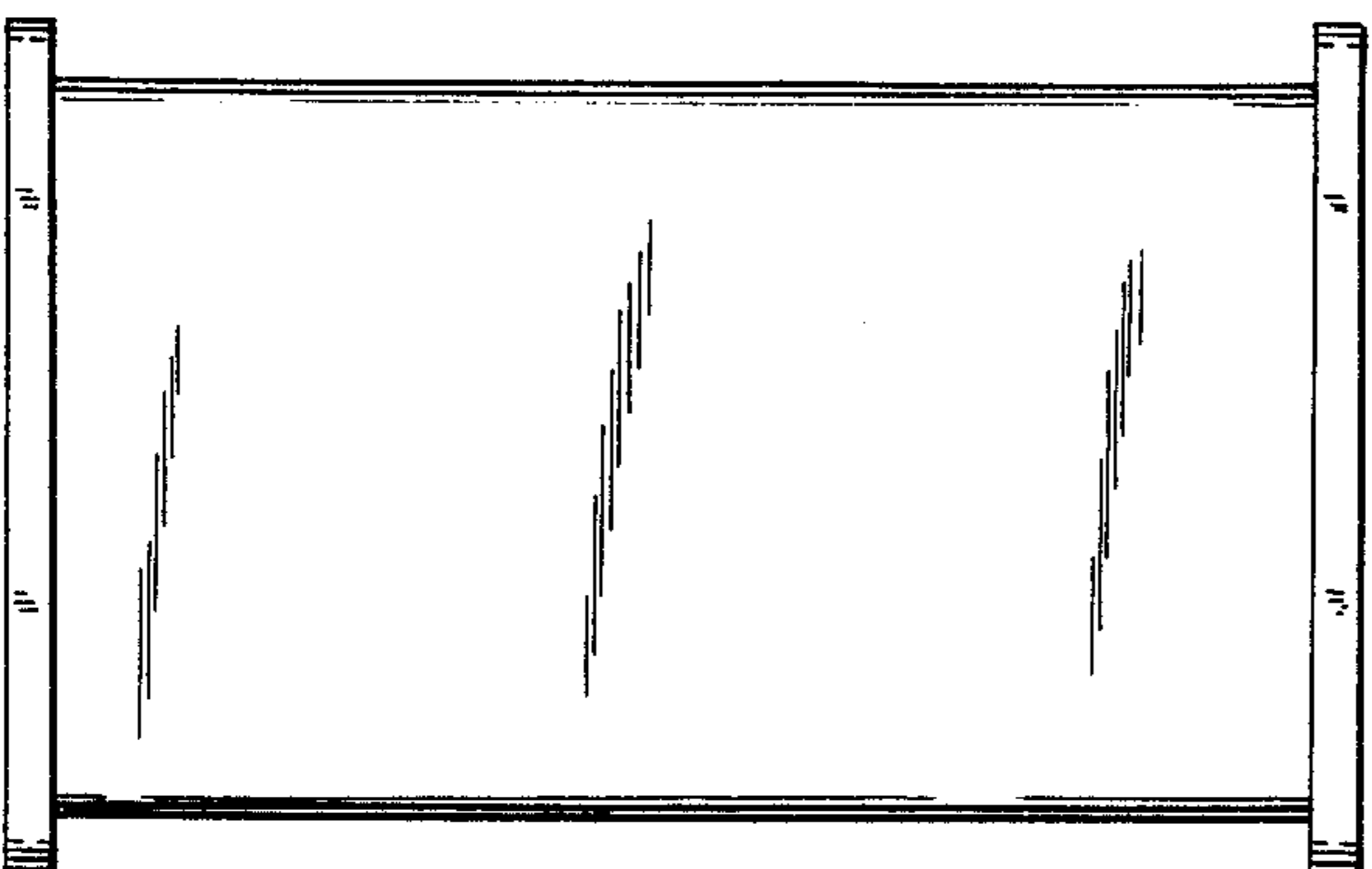


FIG. 5



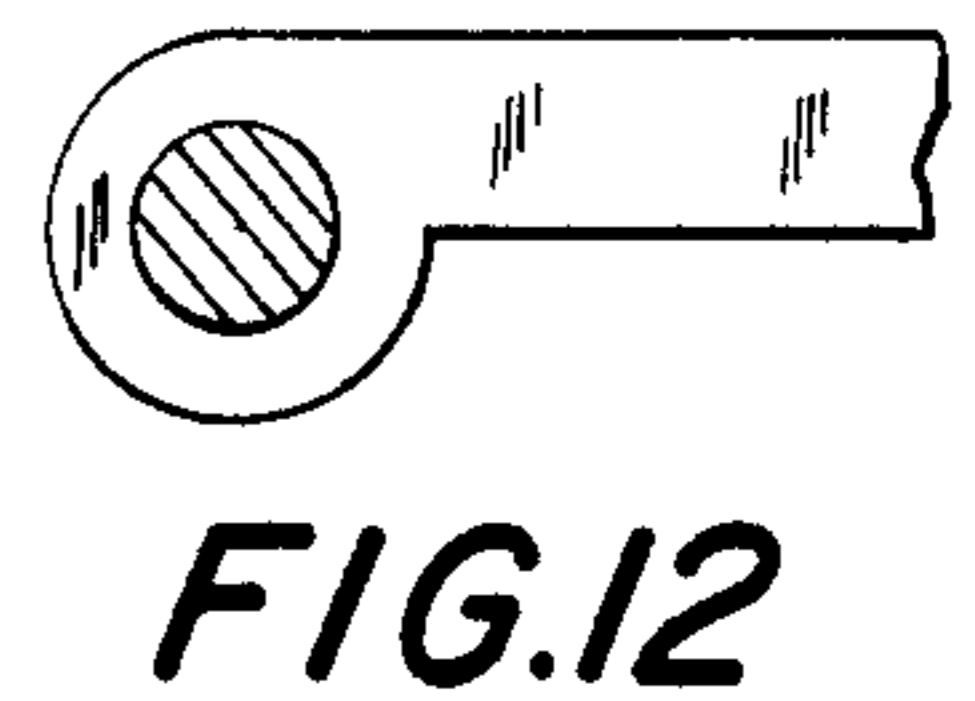
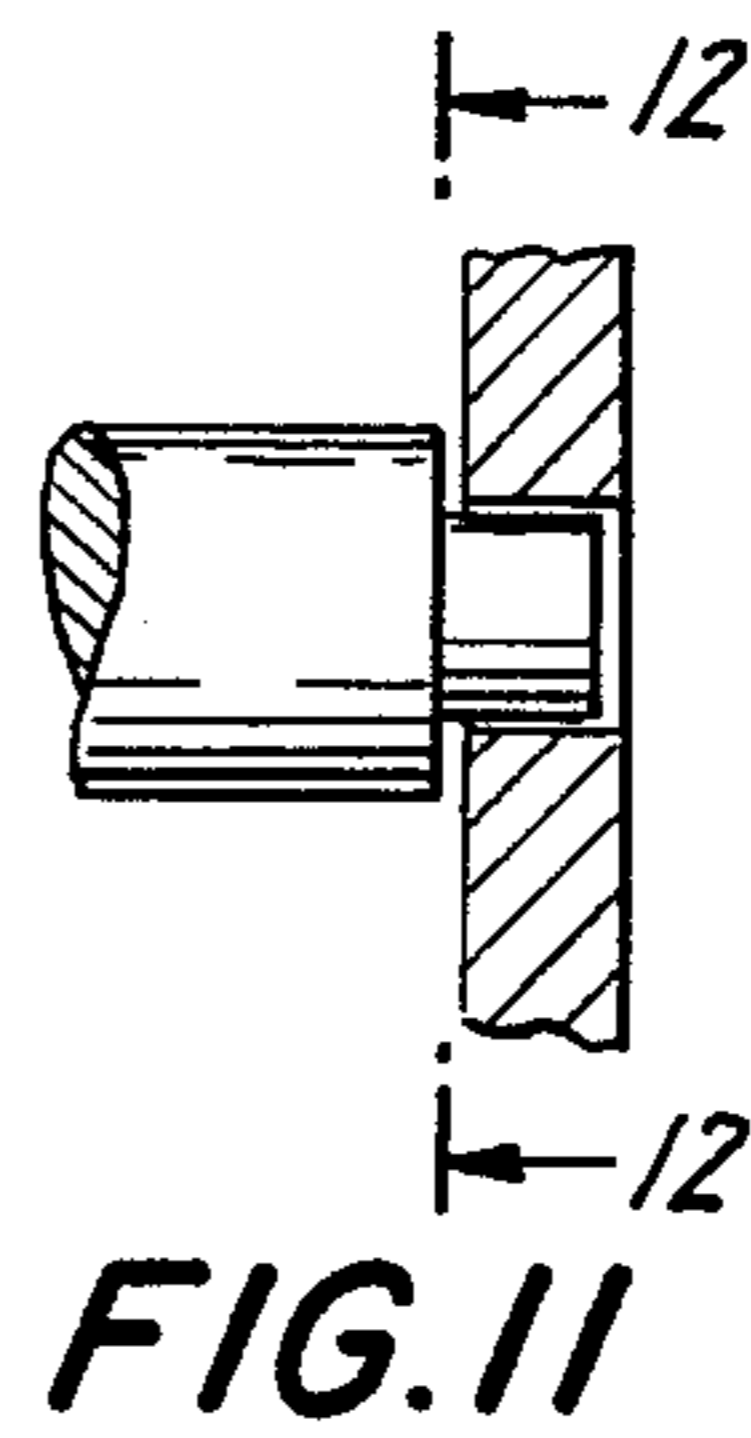
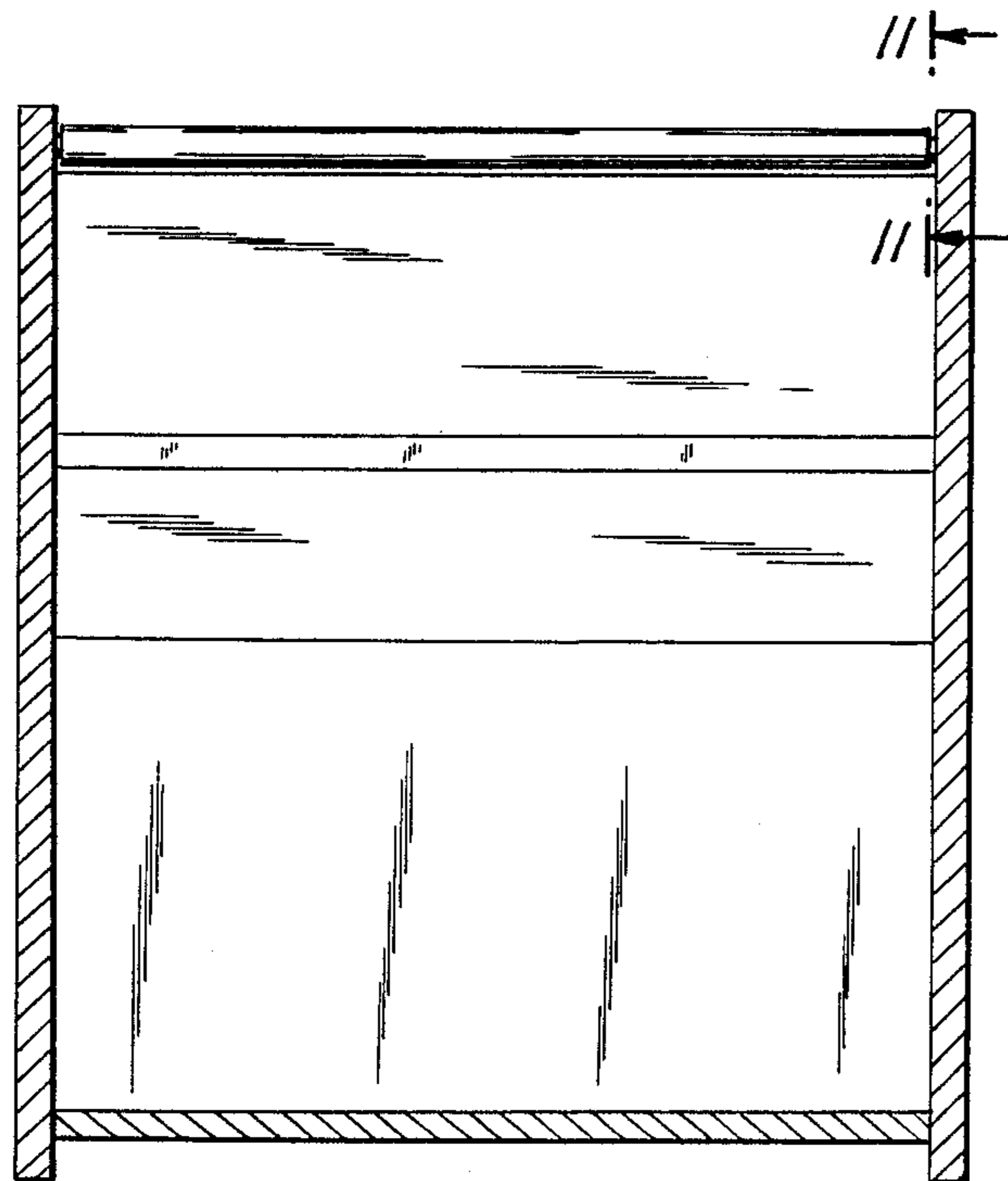
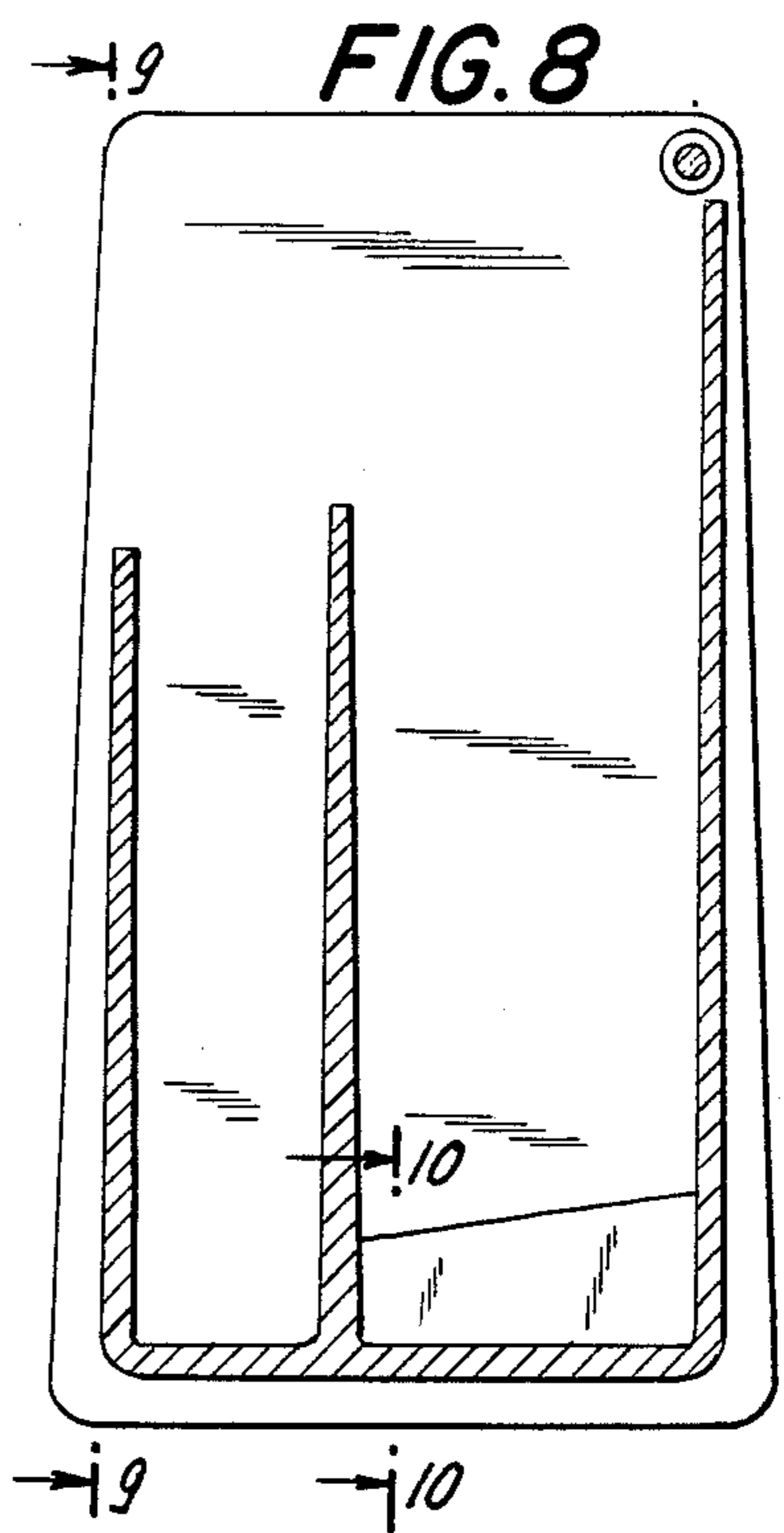
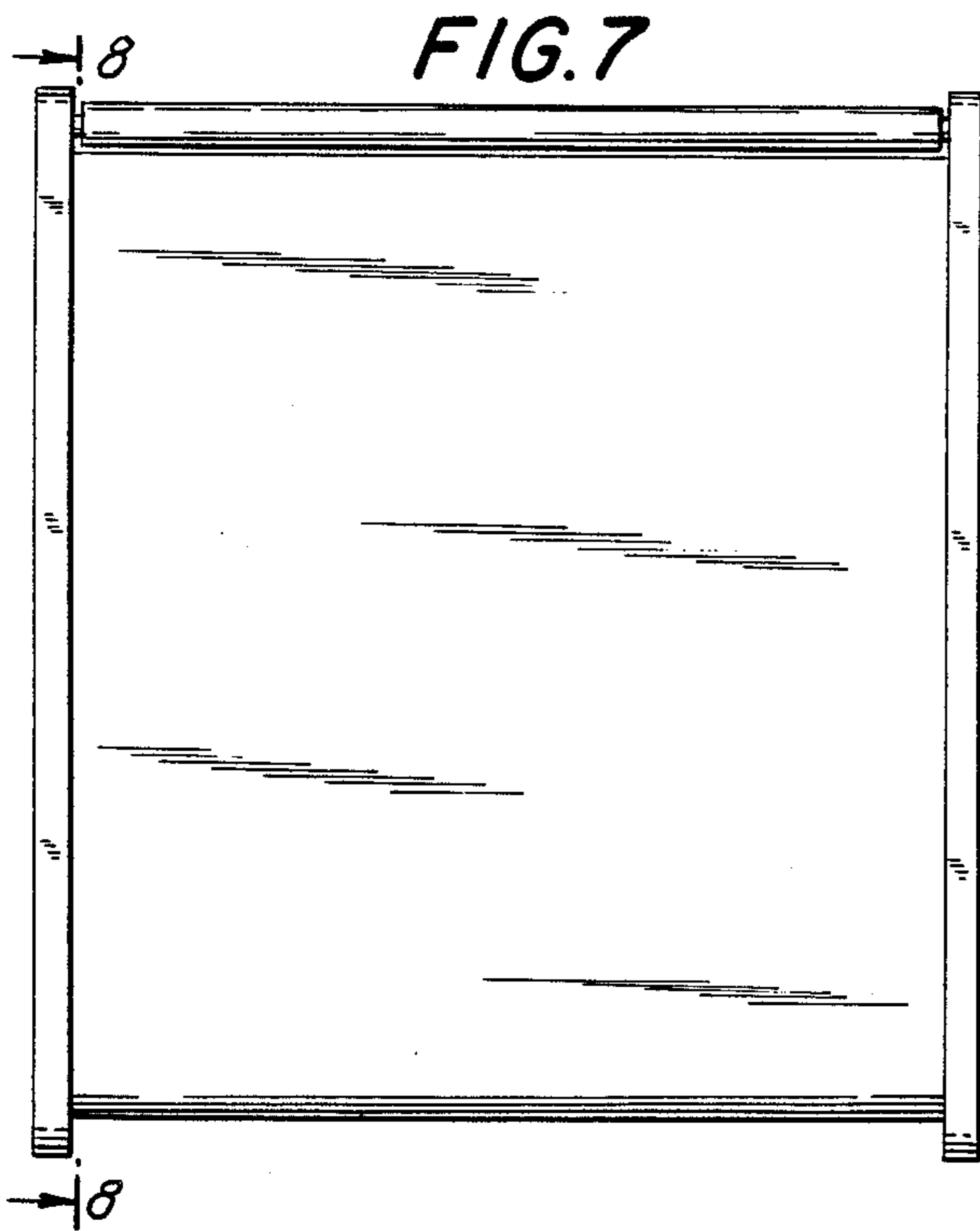


FIG. 9

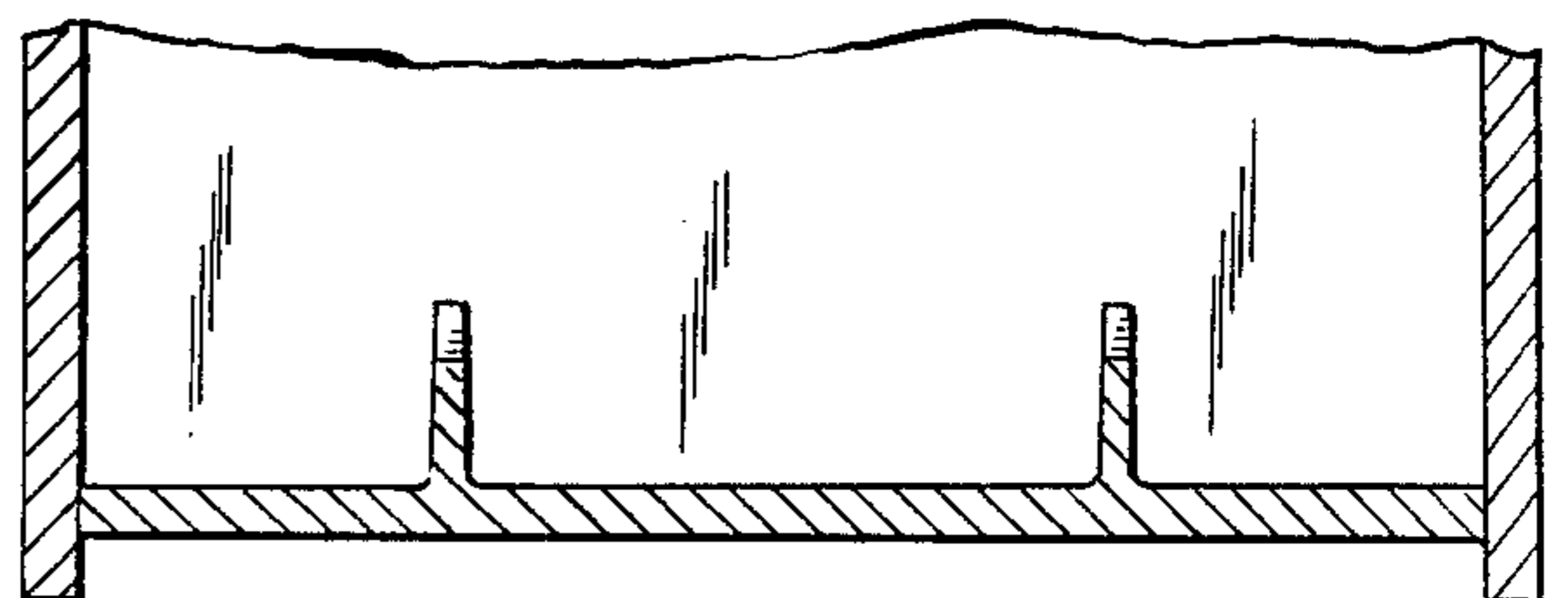


FIG. 10