

[54] SKI BOOT SCRAPER

[76] Inventors: Pamela J. Swanson; John W. Swanson, both of 3023 Lakewood Dr., Maplewood, Minn. 55109

[\*\*] Term: 14 Years

[21] Appl. No.: 10,173

[22] Filed: Feb. 2, 1987

[52] U.S. Cl. .... D32/47

[58] Field of Search ..... D32/35, 46-47; D21/229-230; 15/236.01, 236.02, 236.08, 236.09, 237; 280/813

[56] References Cited

U.S. PATENT DOCUMENTS

- D. 266,574 10/1982 Krive ..... D32/47 X
- 3,284,091 11/1966 Spier ..... 280/813
- 3,826,518 7/1974 Hennig ..... 280/813

- 3,976,303 8/1976 Lillibridge et al. .... 280/813
- 3,999,773 12/1976 Shuttleworth ..... 280/813

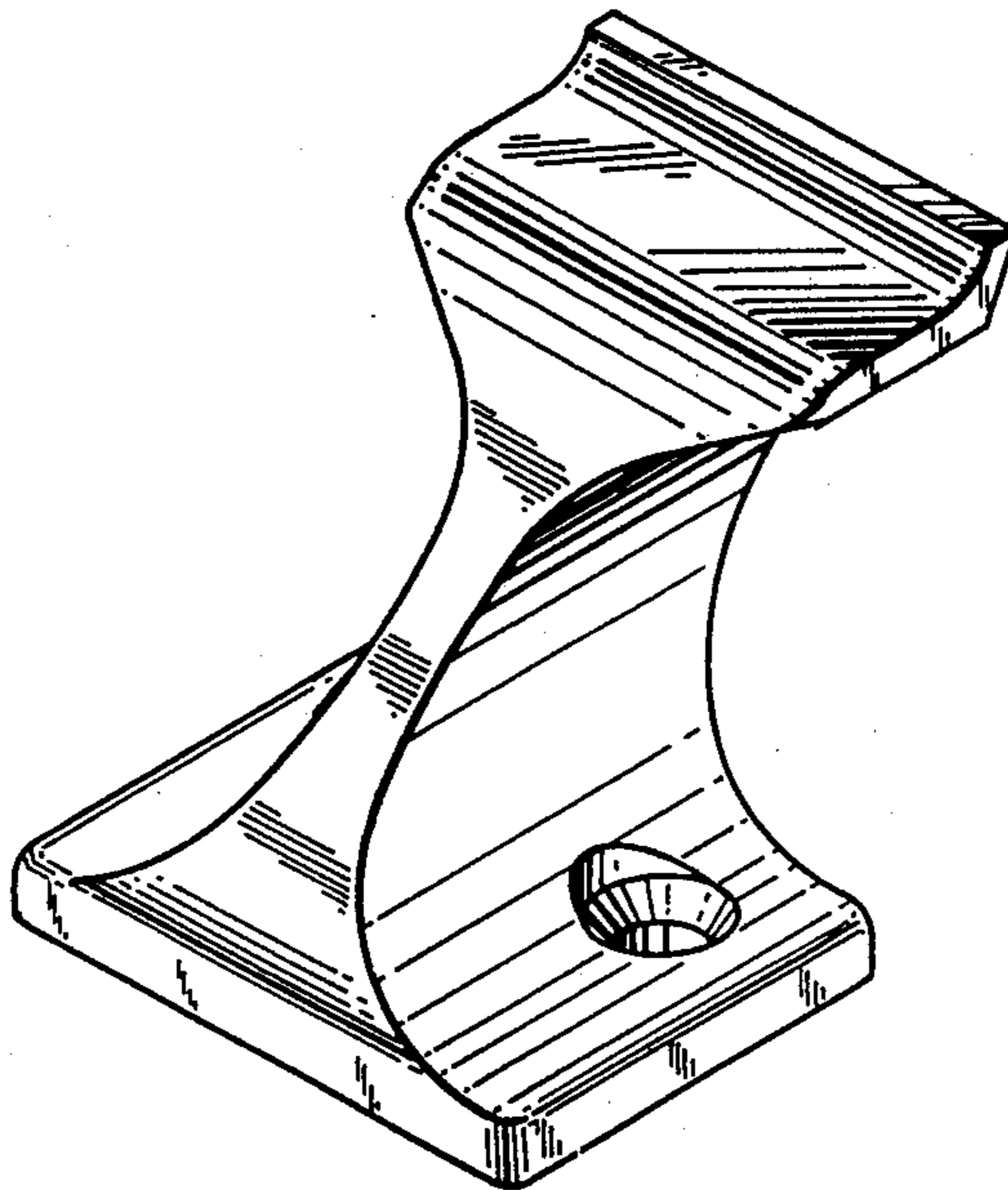
Primary Examiner—Wallace R. Burke  
Assistant Examiner—Lavone D. Tabor  
Attorney, Agent, or Firm—Burd, Bartz & Gutenkauf

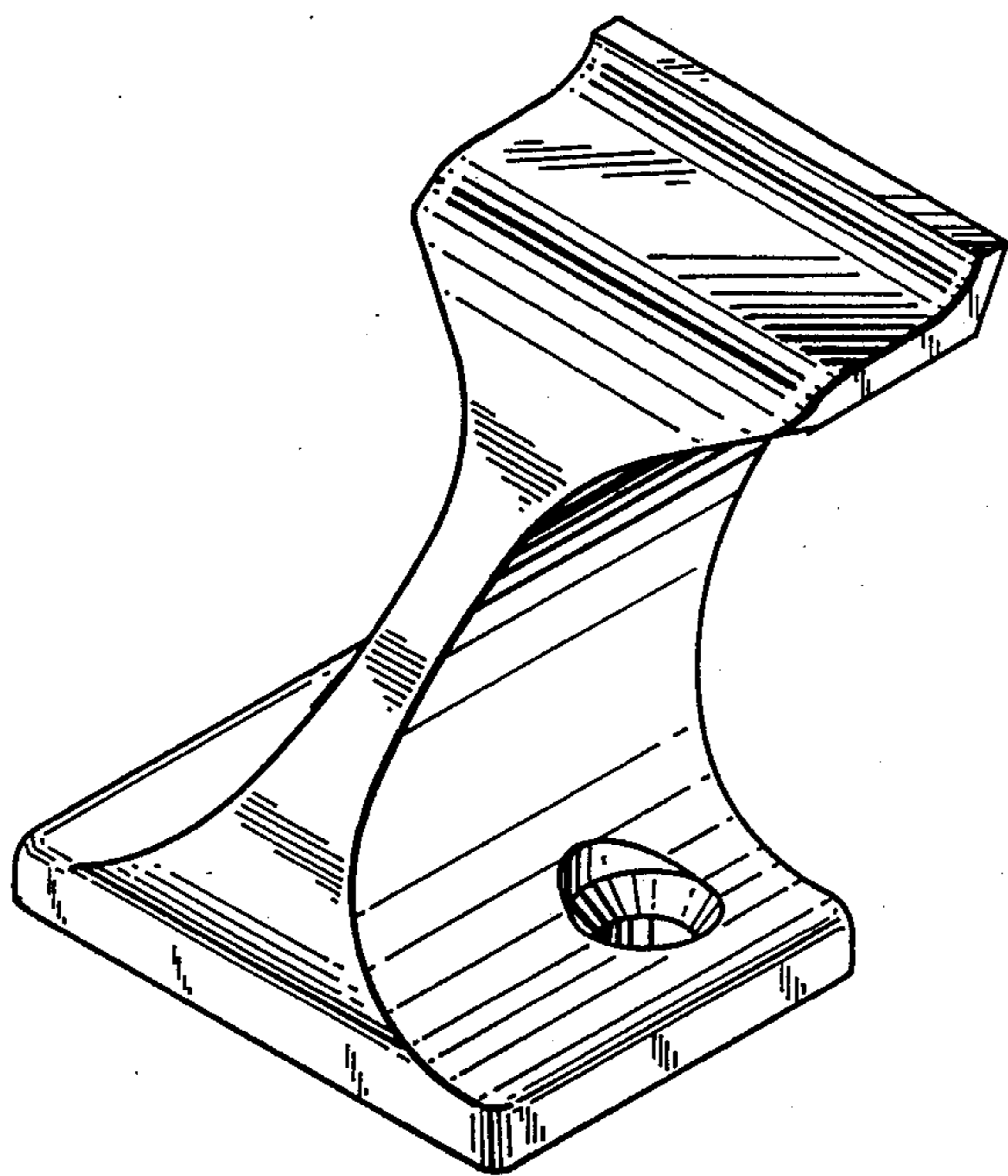
[57] CLAIM

The ornamental design for a ski boot scraper, as shown and described.

DESCRIPTION

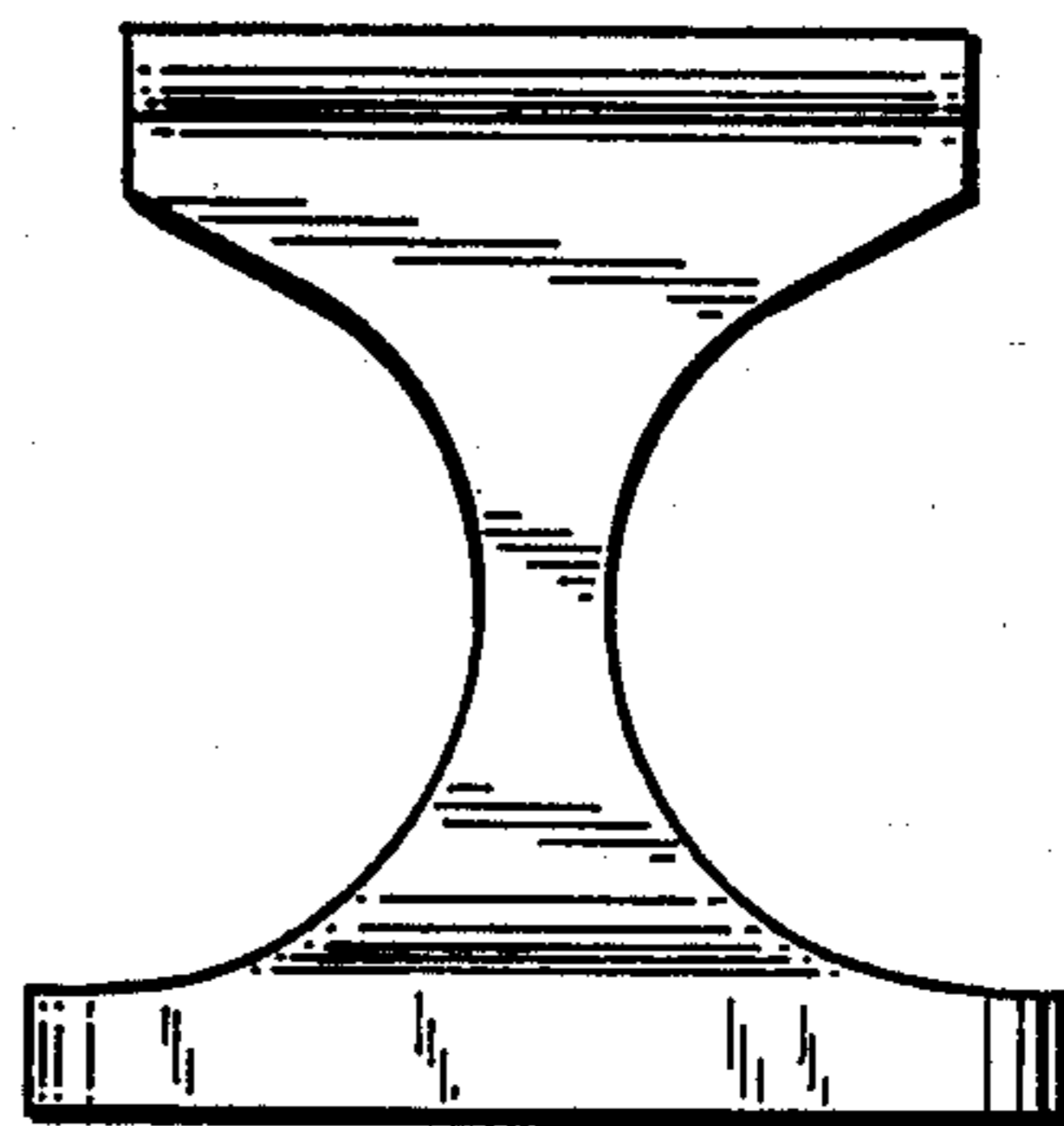
FIG. 1 is a perspective view of a ski boot scraper showing my new design;  
FIG. 2 is a slightly reduced front elevational view thereof;  
FIG. 3 is a left side elevational view thereof;  
FIG. 4 is a right side elevational view thereof;  
FIG. 5 is a rear elevational view thereof;  
FIG. 6 is a bottom plan view thereof; and  
FIG. 7 is a top plan view thereof.



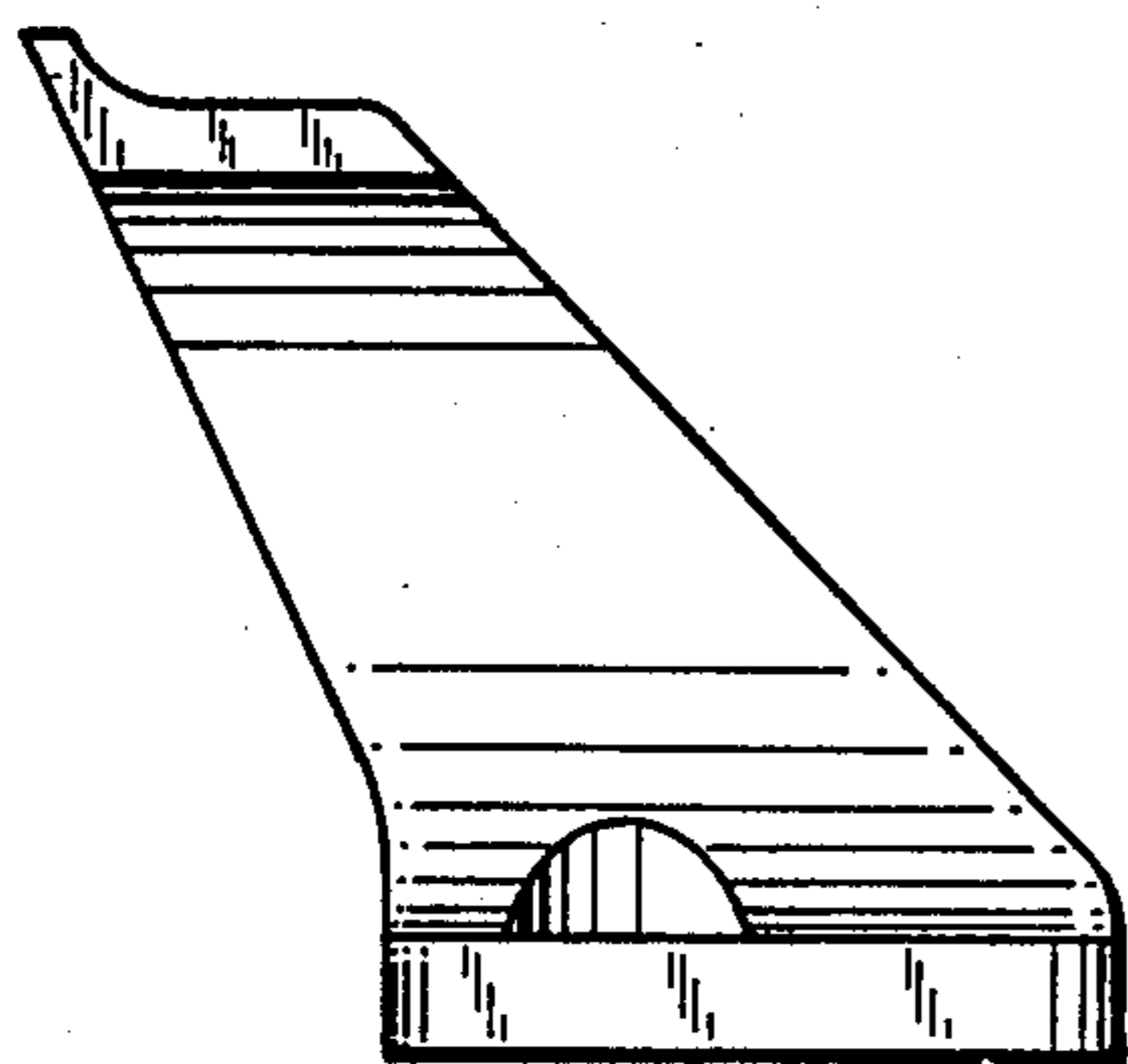


*Fig. 1*

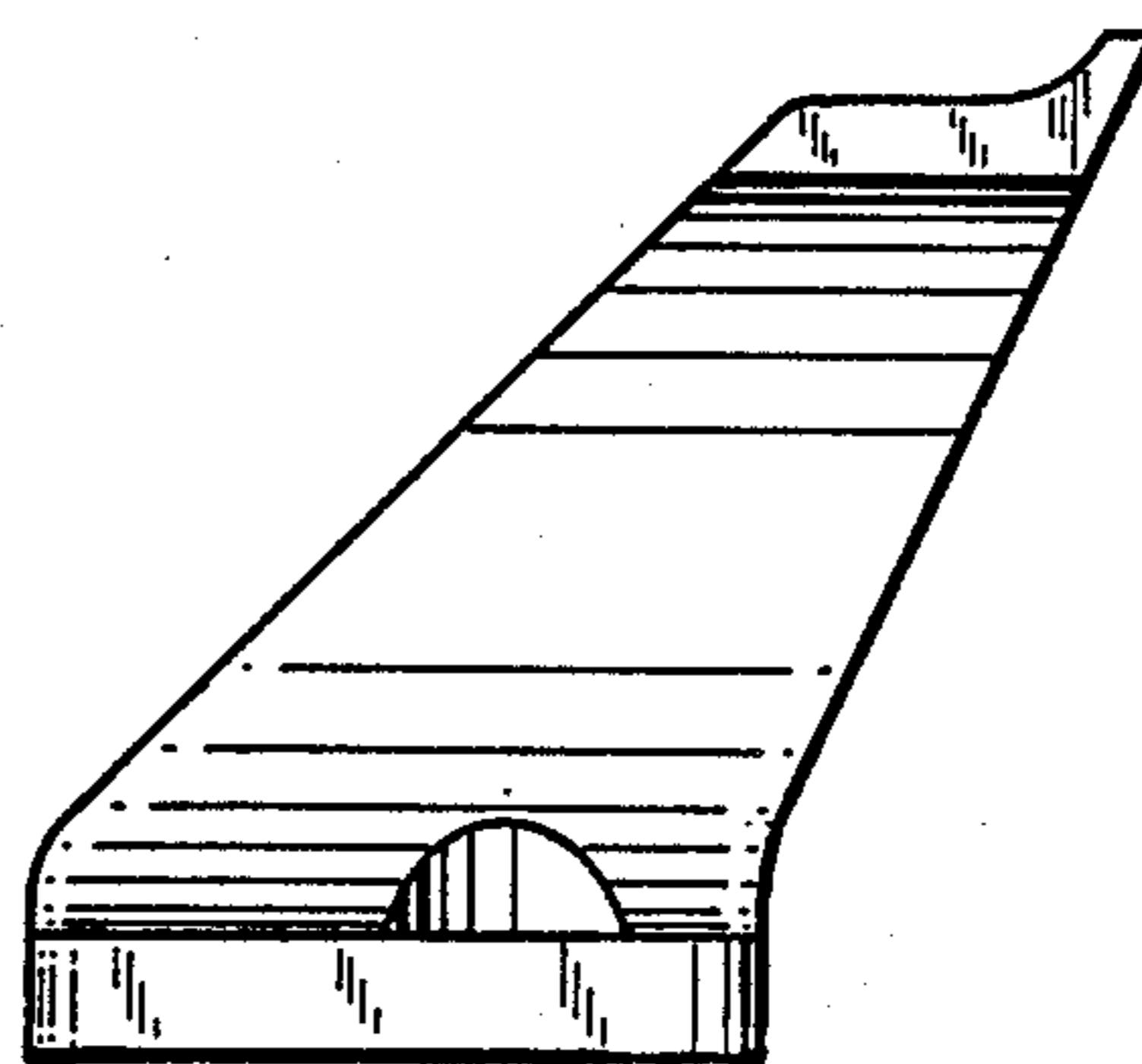
*Fig. 2*



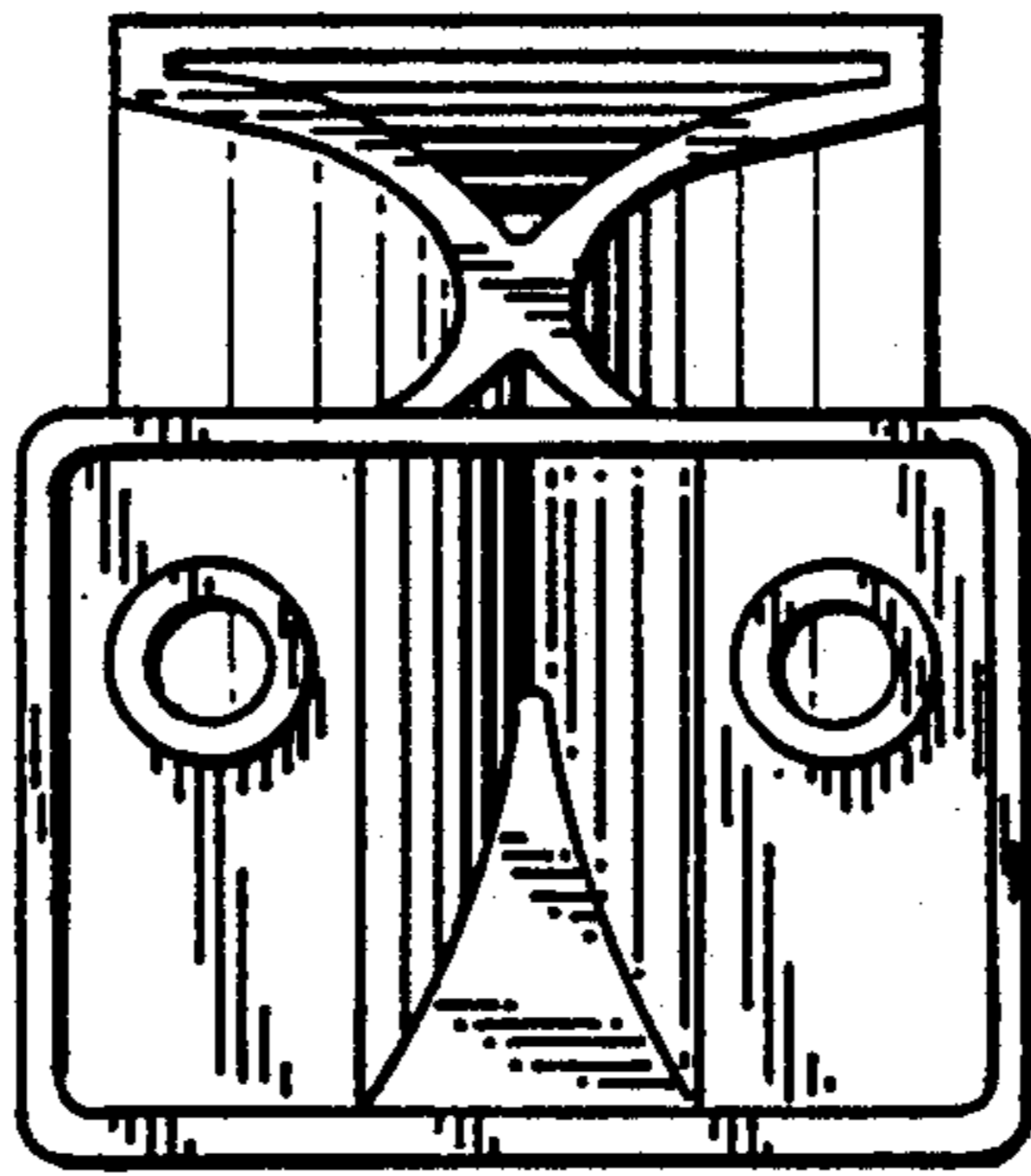
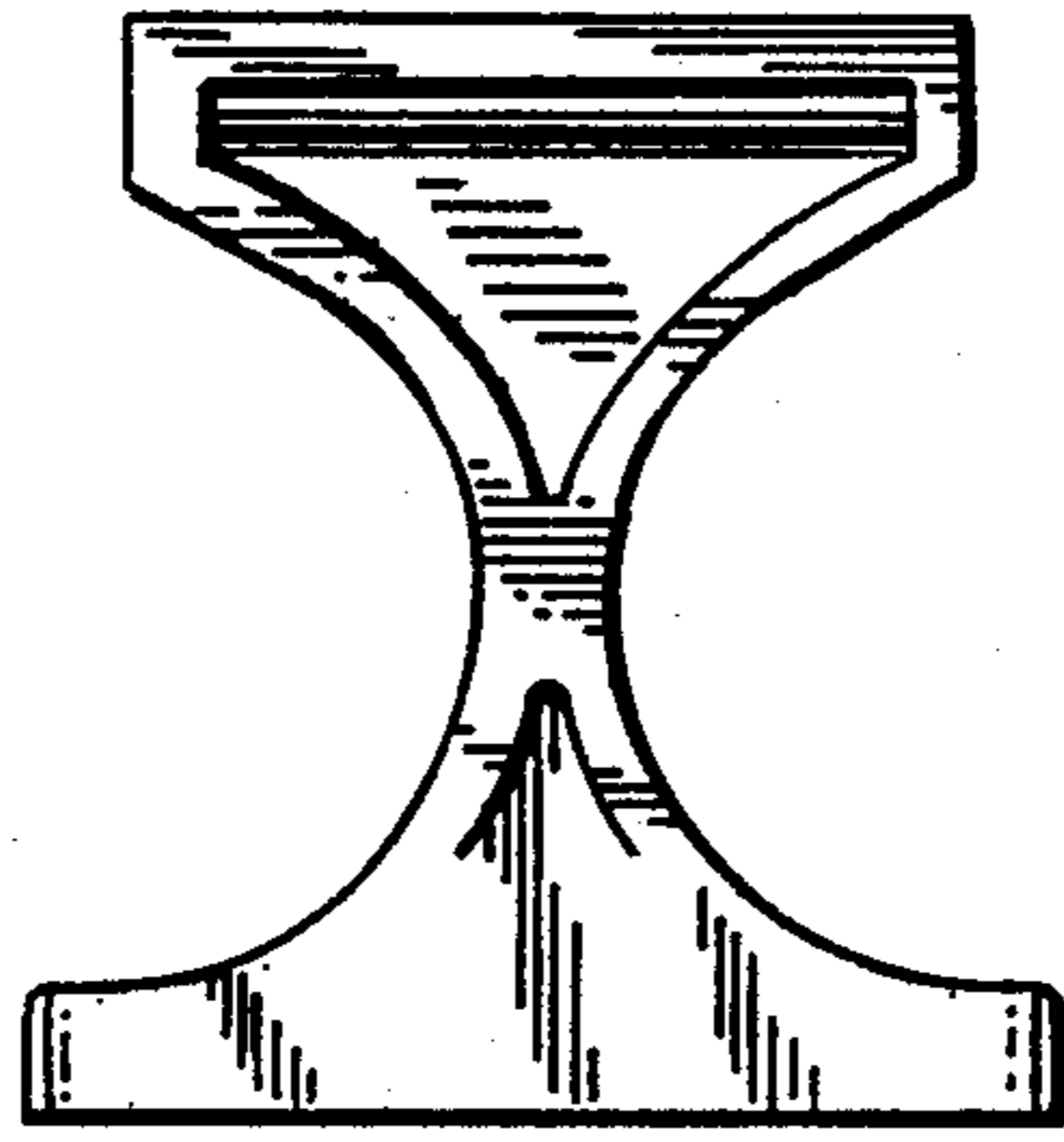
*Fig. 3*



*Fig. 4*



*Fig.5*



*Fig.6*

*Fig.7*

