

[54] VACUUM CLEANER

[75] Inventor: James Dyson, Bathford, United Kingdom

[73] Assignee: Iona Appliances Inc./Appareils Iona Inc., Welland, Canada

[\*\*] Term: 14 Years

[21] Appl. No.: 110,957

[22] Filed: Oct. 21, 1987

[30] Foreign Application Priority Data

Apr. 21, 1987 [CA] Canada ..... 21-04-87-4

[52] U.S. Cl. .... D32/22

[58] Field of Search ..... D32/1, 21-22, D32/31-34; 15/320-325, 328-336, 338, 344-345, 346, 350, 353-354, 352

[56] References Cited

U.S. PATENT DOCUMENTS

- D. 101,322 9/1936 Beitman .
- D. 153,974 5/1949 Petersen .
- D. 155,903 11/1949 Kelly .

- D. 162,633 3/1951 Dreyfuss .
- D. 193,264 7/1962 Kelnhofer .
- 3,755,843 9/1973 Goertzen, III et al. .... 15/350
- 4,373,228 2/1983 Dyson ..... 15/350
- 4,559,665 12/1985 Fitzwater ..... 15/353
- 4,571,772 2/1986 Dyson ..... 15/335

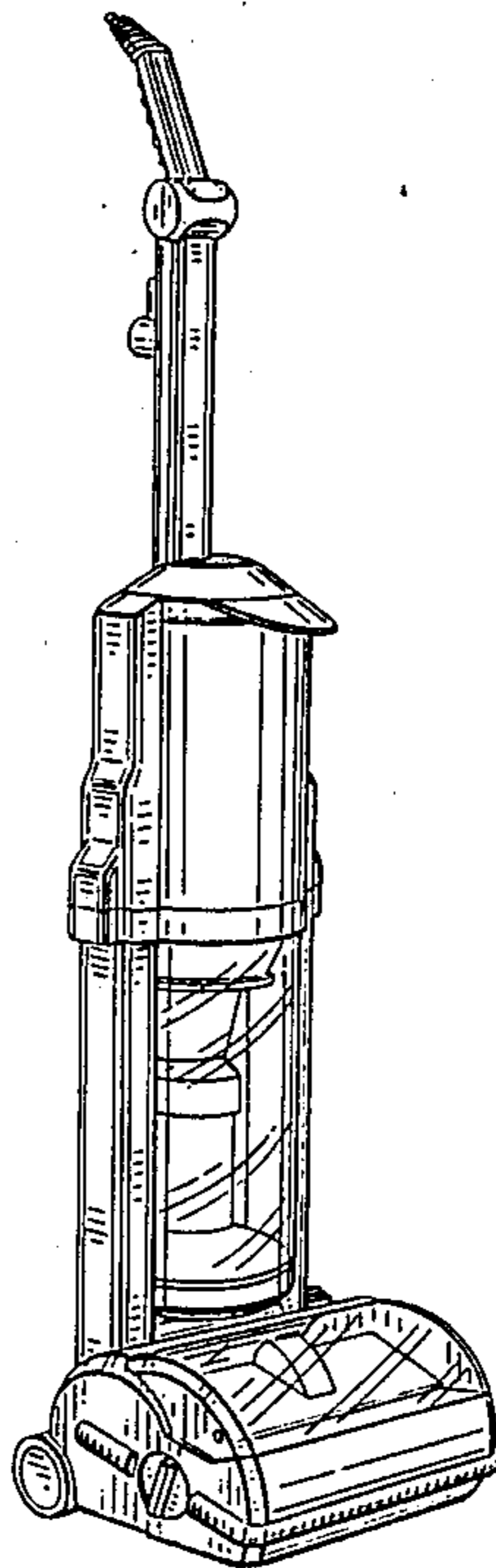
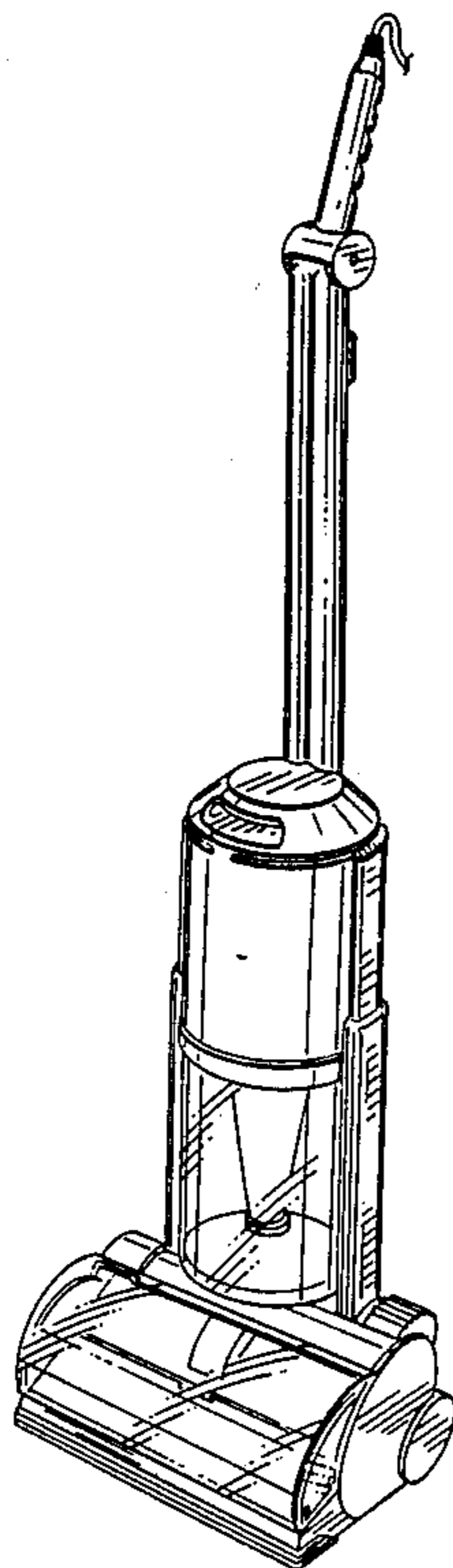
Primary Examiner—Bruce W. Dunkins  
Assistant Examiner—Ruth Takemoto  
Attorney, Agent, or Firm—Weldon F. Green

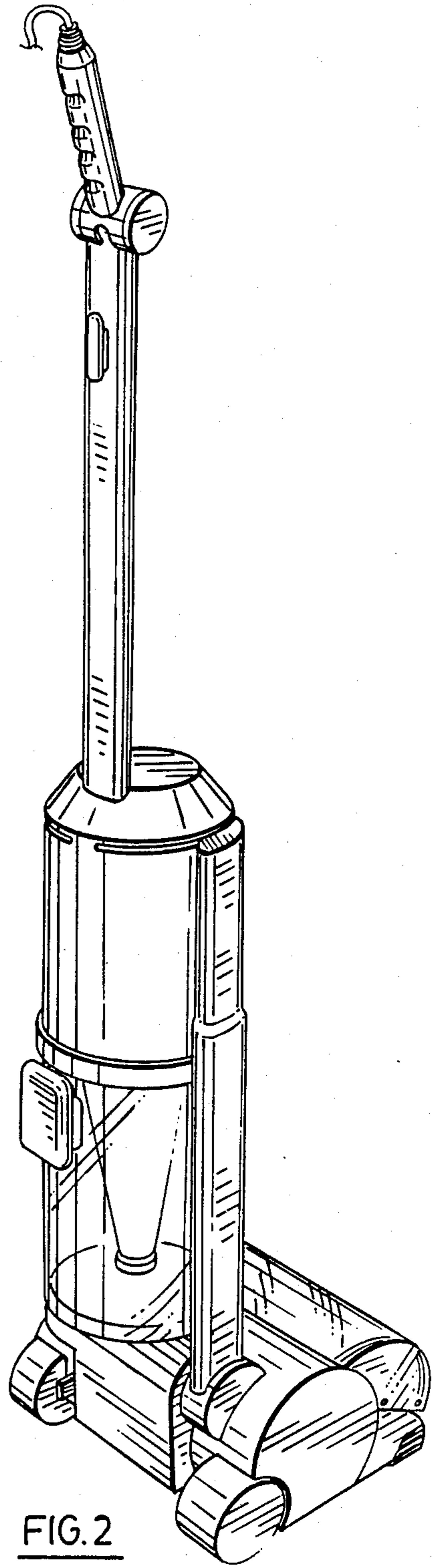
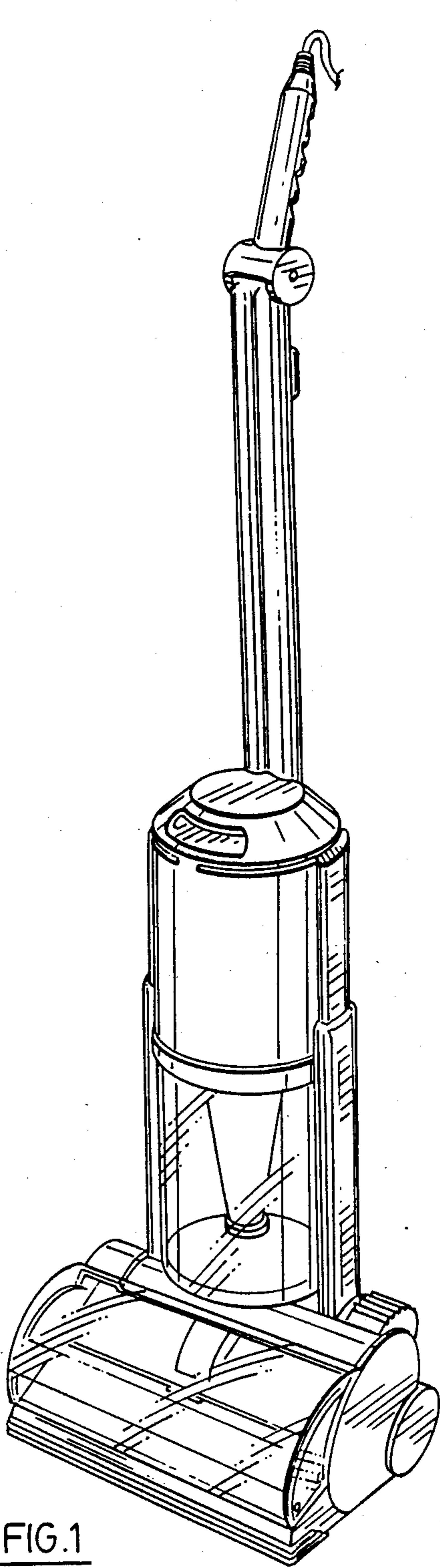
[57] CLAIM

The ornamental design for a vacuum cleaner, as shown.

DESCRIPTION

FIG. 1 is a top, front and right side perspective view of a vacuum cleaner showing my new design;  
 FIG. 2 is a top, rear and left side perspective view thereof;  
 FIG. 3 is a left side elevational view thereof;  
 FIG. 4 is a bottom plan view thereof;  
 FIG. 5 is a top, front and left side perspective view of a second embodiment thereof;  
 FIG. 6 is a top, rear and right side perspective view thereof;  
 FIG. 7 is a right side elevational view thereof.





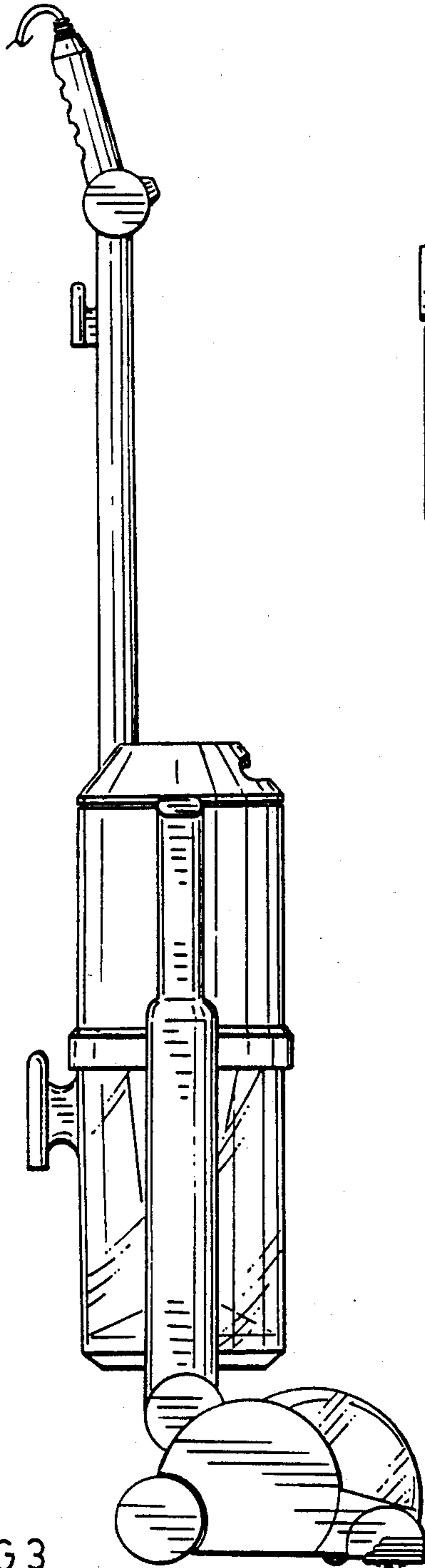


FIG. 3

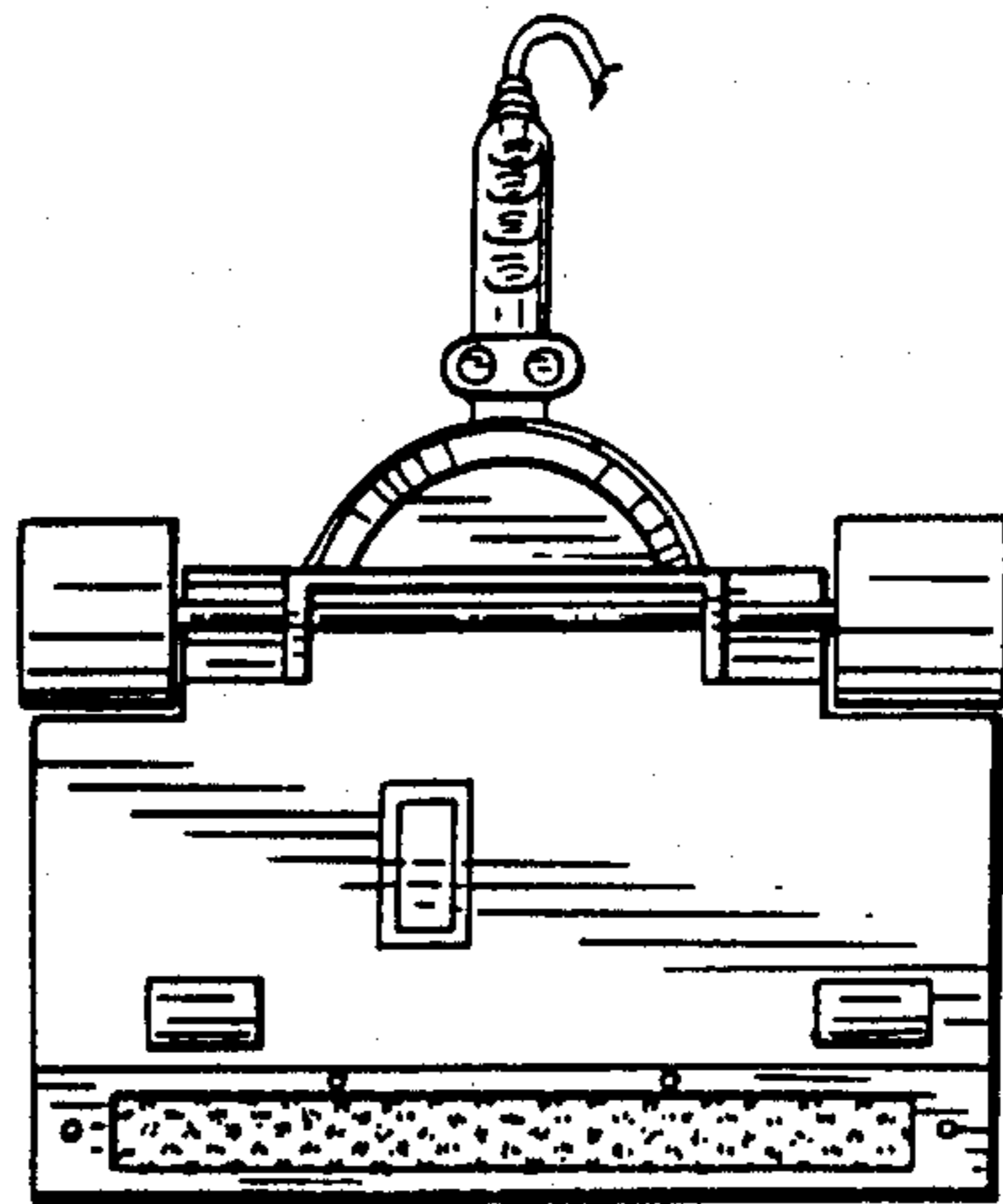


FIG. 4

FIG. 5

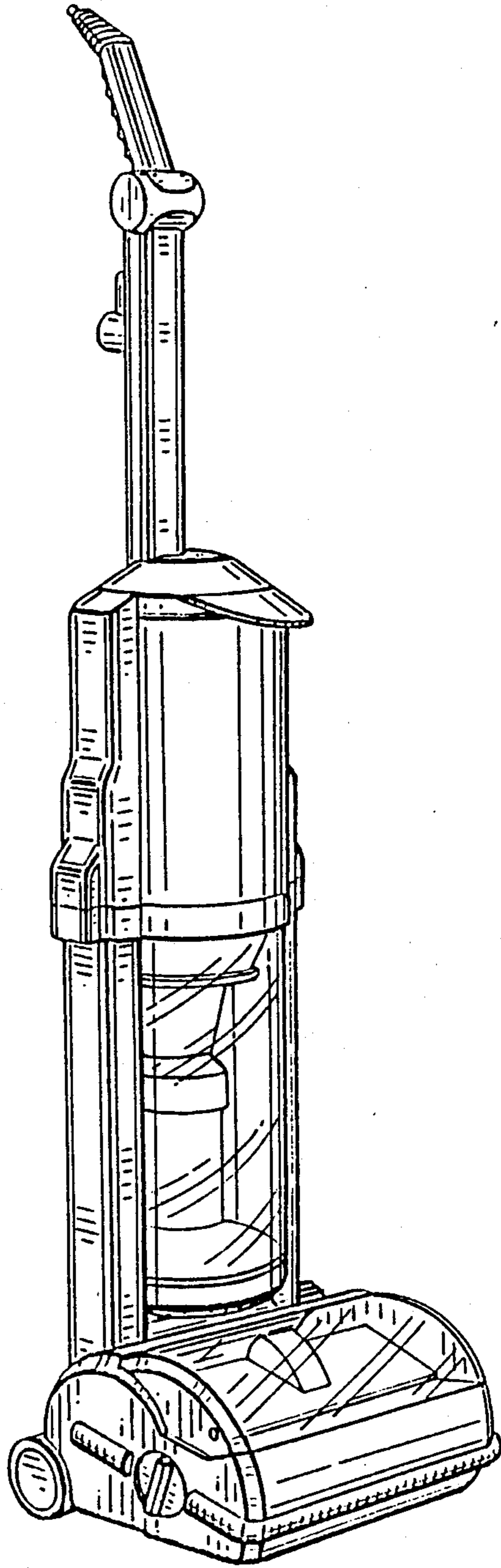


FIG. 6

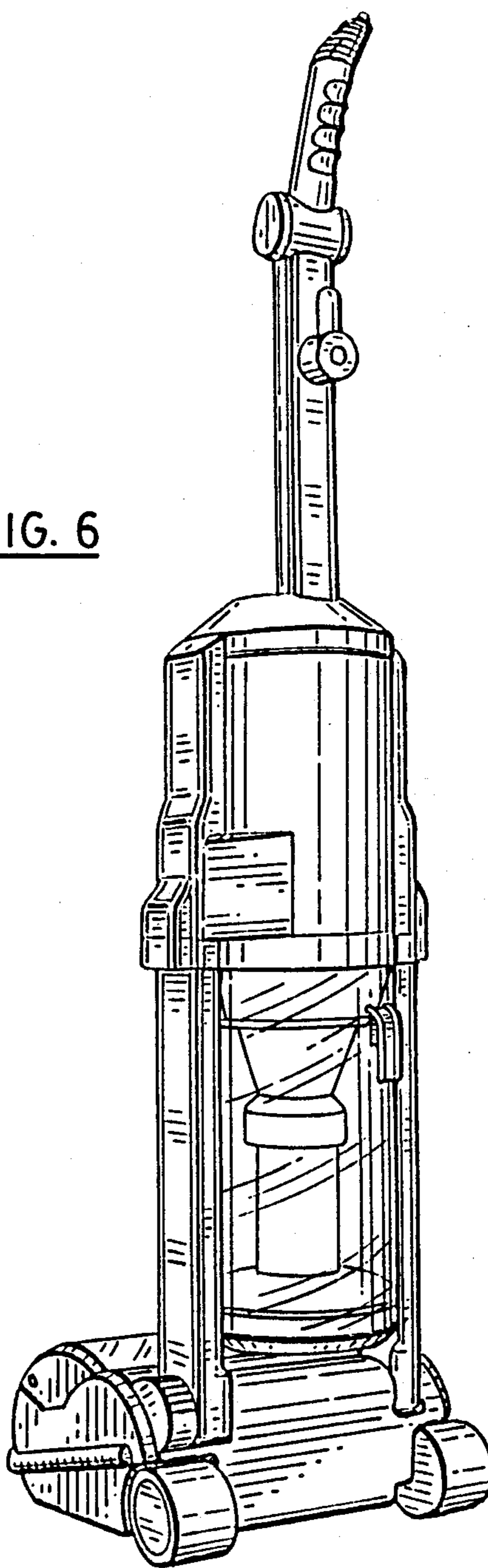


FIG. 7

