

[54] DISINFECTION UNIT

DESCRIPTION

[75] Inventor: Michael A. Hobbs, Woodford Green, England

FIG. 1 is a front elevational view of a disinfection unit showing my new design;

[73] Assignee: Avent Medical Limited, Hong Kong

FIG. 2 is an exploded right side elevational view thereof;

[**] Term: 14 Years

FIG. 3 is a top plan view thereof;

[21] Appl. No.: 42,369

FIG. 4 is a bottom plan view thereof;

[22] Filed: Apr. 24, 1987

FIG. 5 is a bottom plan view of the lid portion thereof; FIG. 6 is a longitudinal cross-sectional view of the lid portion thereof, taken on line 6—6 of FIG. 5;

[30] Foreign Application Priority Data

Oct. 27, 1986 [GB] United Kingdom 1037655

[52] U.S. Cl. D24/9

[58] Field of Search D24/9, 8; 422/292, 293, 422/297, 300, 307, 905

FIG. 7 is an exploded front elevational view of the basket assembly thereof, and on which the viewing direction of FIGS. 9, 10 and 13 are indicated by respective arrows;

[56] References Cited

U.S. PATENT DOCUMENTS

1,951,099 3/1934 Meyerson D24/9 X

2,775,005 12/1956 Weinberger 422/300 X

4,746,496 5/1988 Sorochenko et al. 422/292

FIG. 8 is a top plan view of the basket support spindle of the basket assembly thereof;

FIG. 9 is a right side elevational view of the basket support spindle of the basket assembly thereof;

FIG. 10 is a right side elevational view of the upper member of the basket assembly thereof;

FIG. 11 is a top plan view of the upper member of the basket assembly thereof;

FIG. 12 is a longitudinal cross-sectional view of the upper member of the basket assembly thereof, taken on line 12—12 of FIG. 11;

FIG. 13 is a bottom plan view of the lower member of the basket assembly thereof; and

FIG. 14 is a longitudinal cross-sectional view of the basket assembly thereof, taken on line 14—14 of FIG. 13.

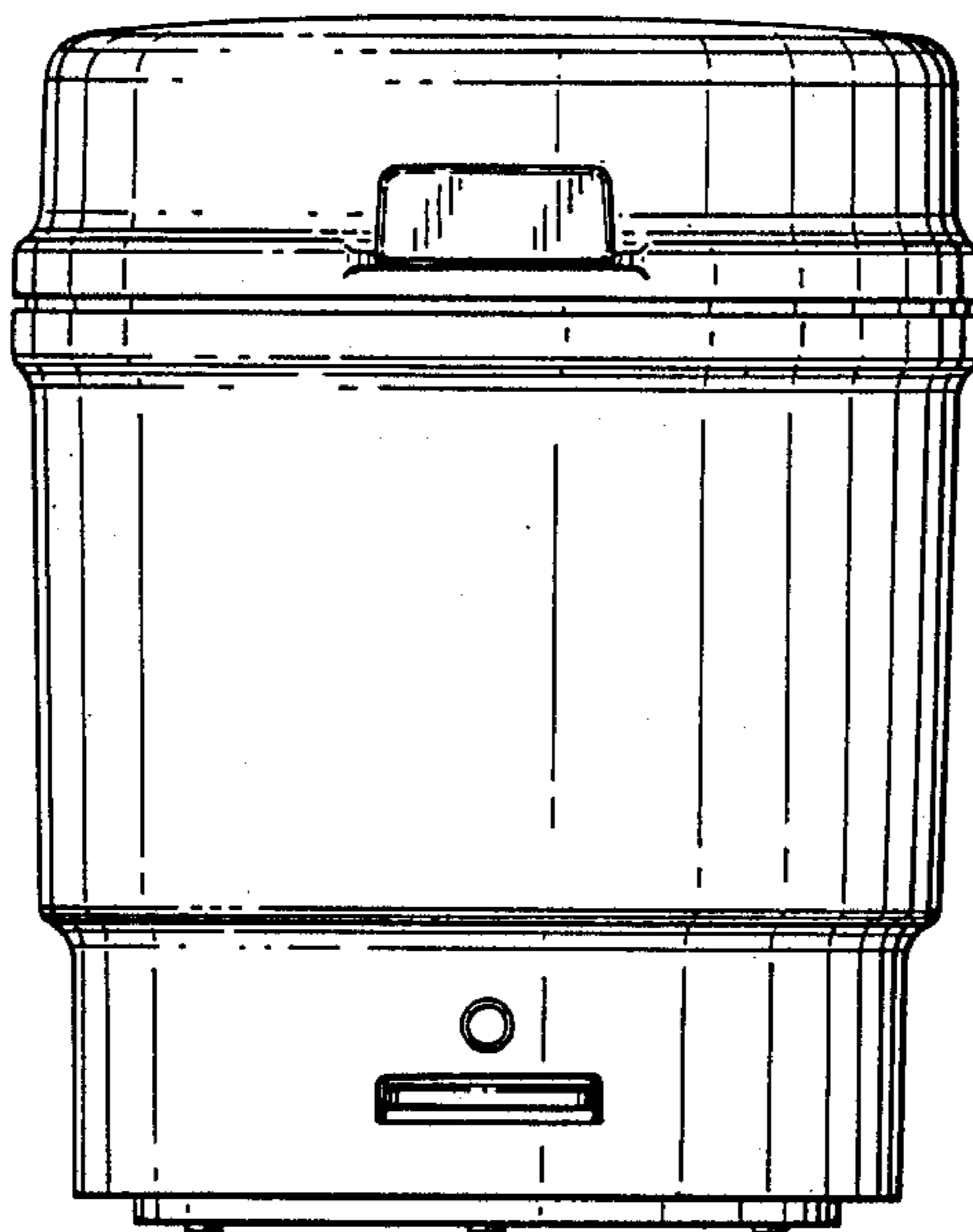
Primary Examiner—Wallace R. Burke

Assistant Examiner—Stella M. Reid

Attorney, Agent, or Firm—Cushman, Darby & Cushman

[57] CLAIM

The ornamental design for a disinfection unit, as shown and described.



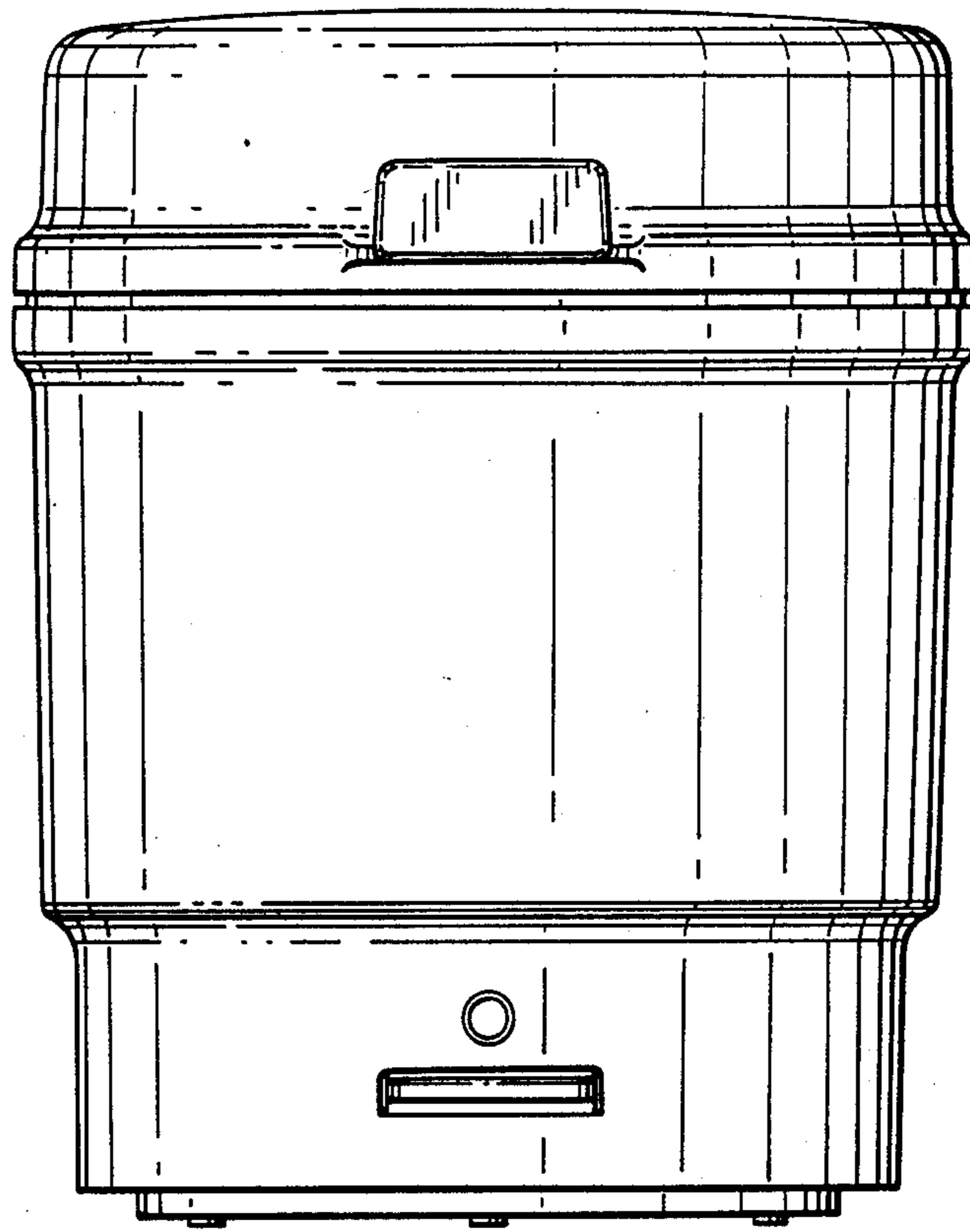


FIG. 1.

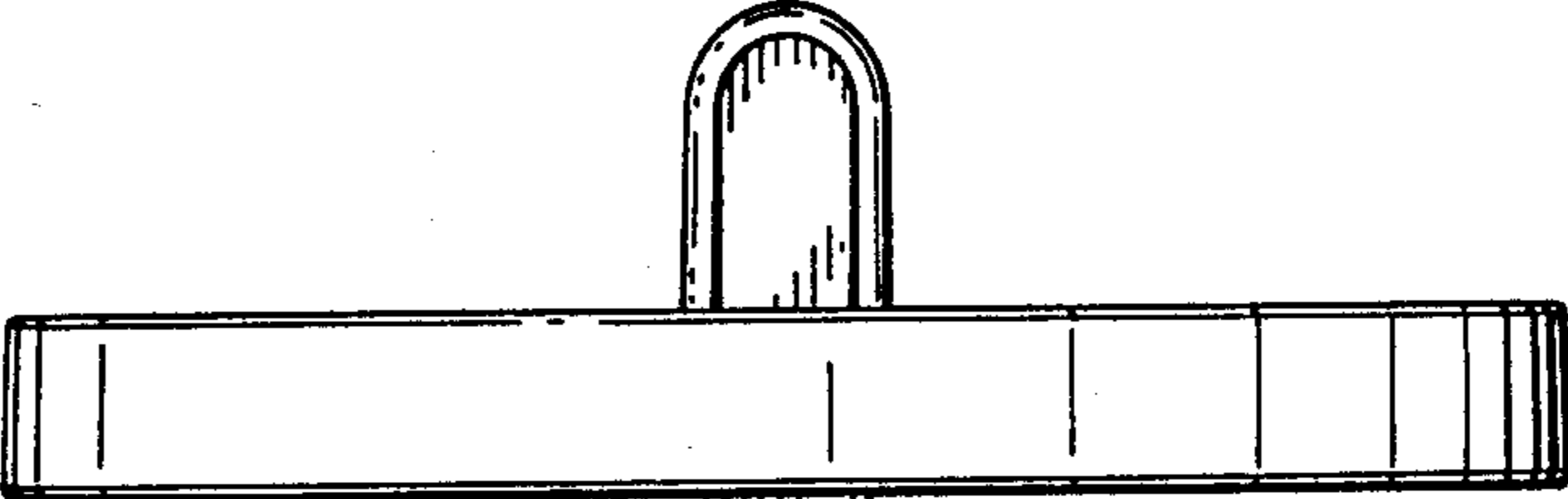
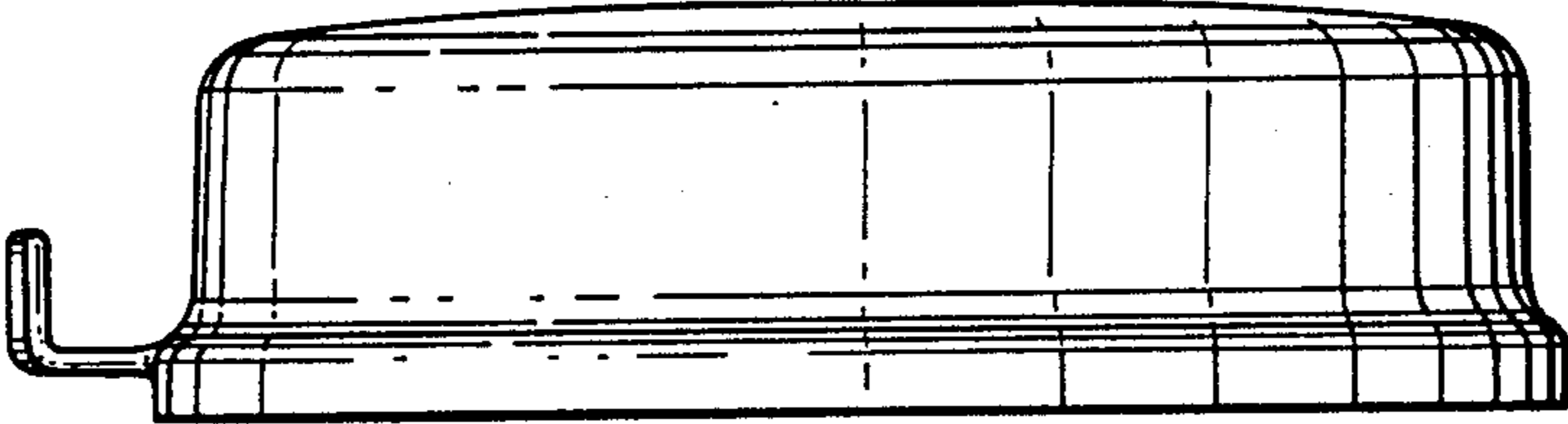
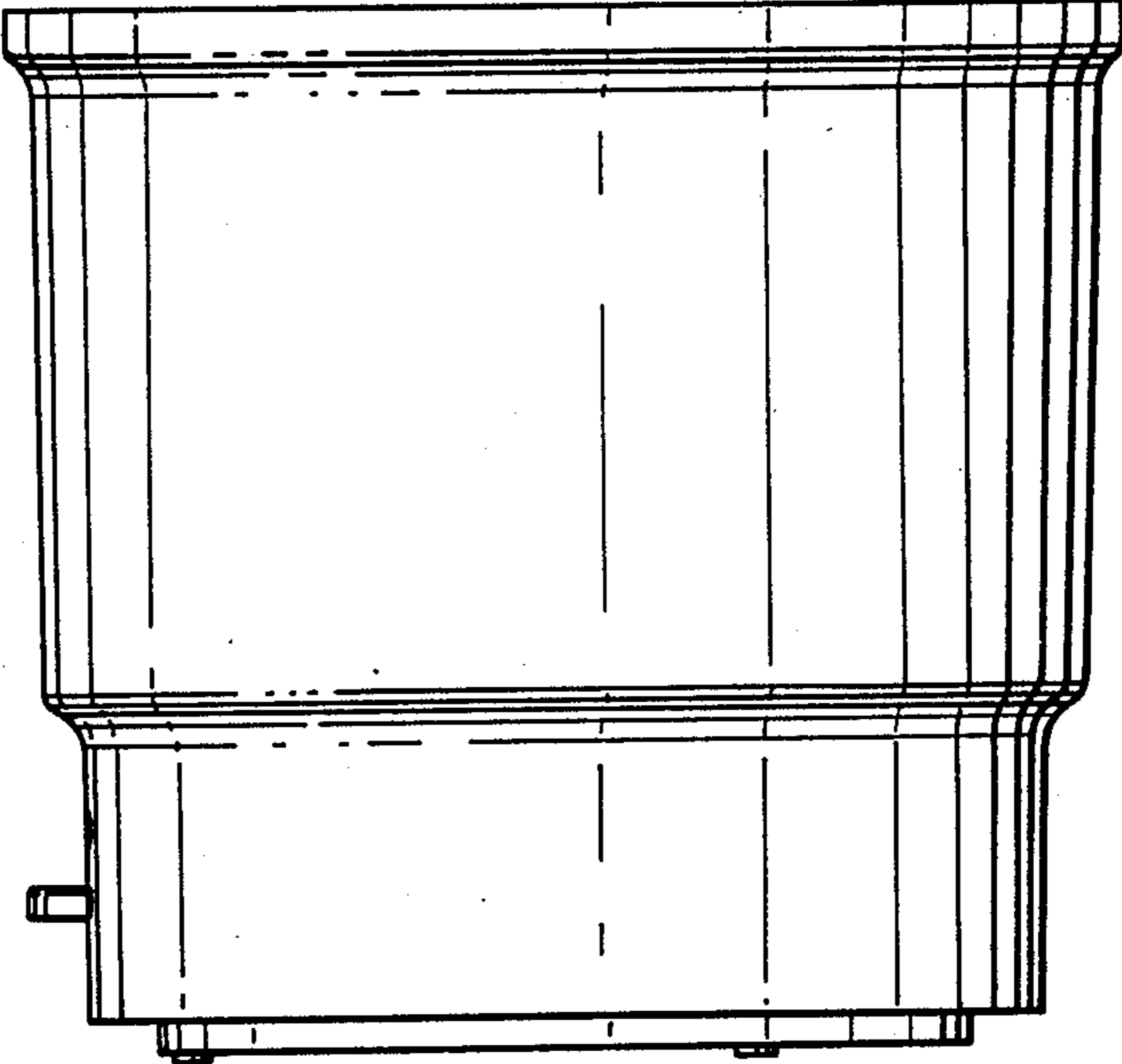


FIG. 2.

7



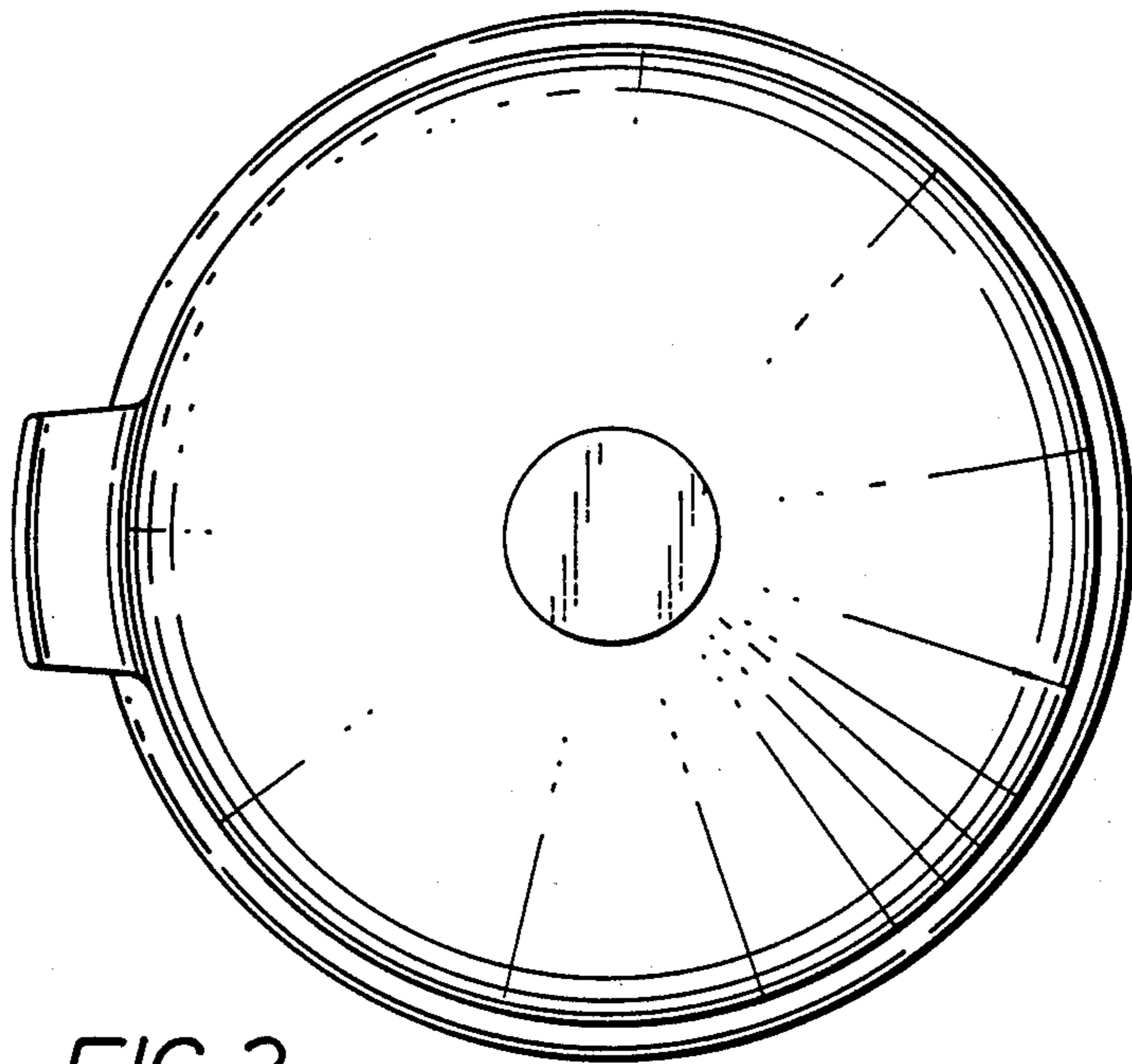


FIG. 3.

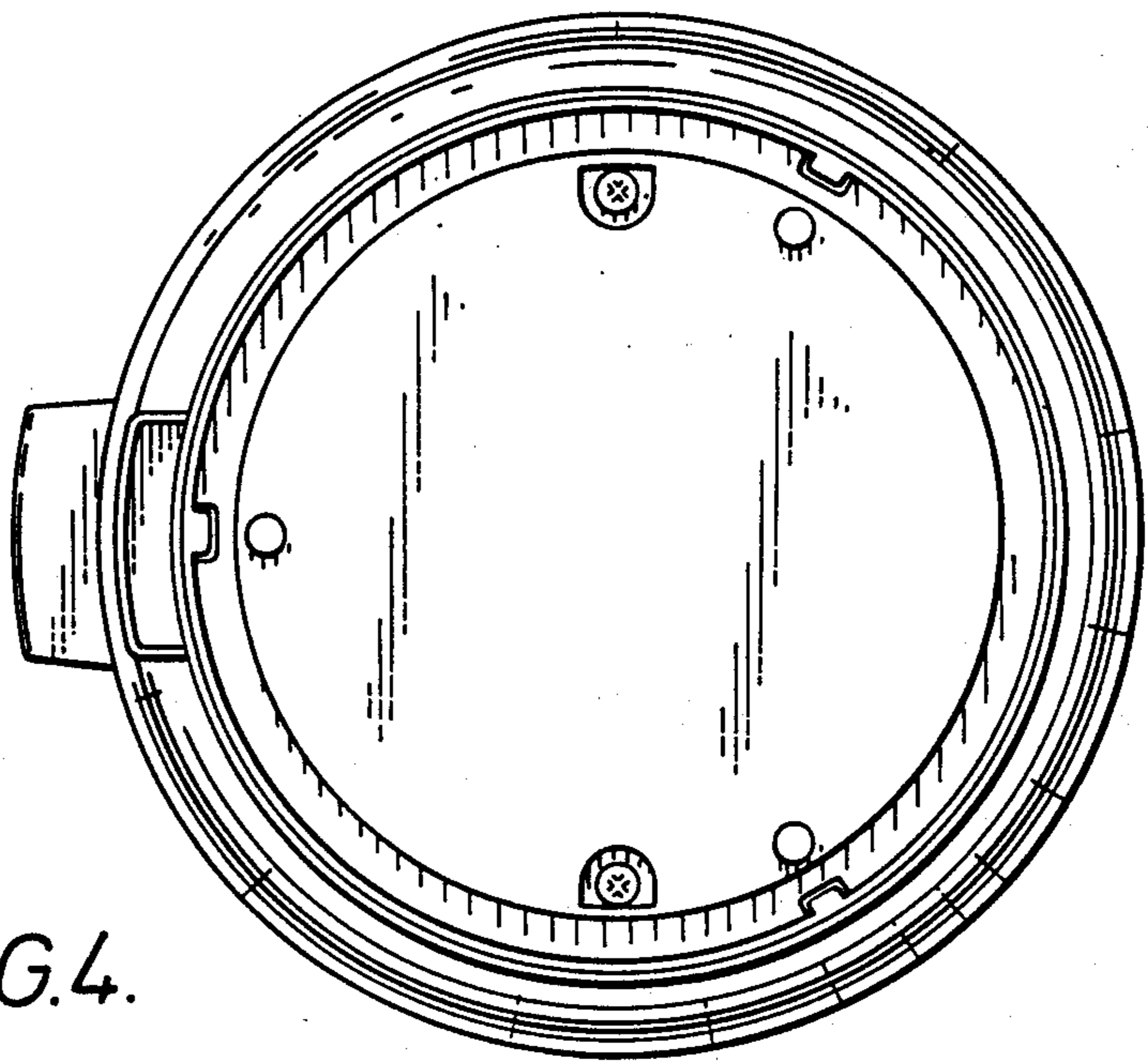


FIG. 4.

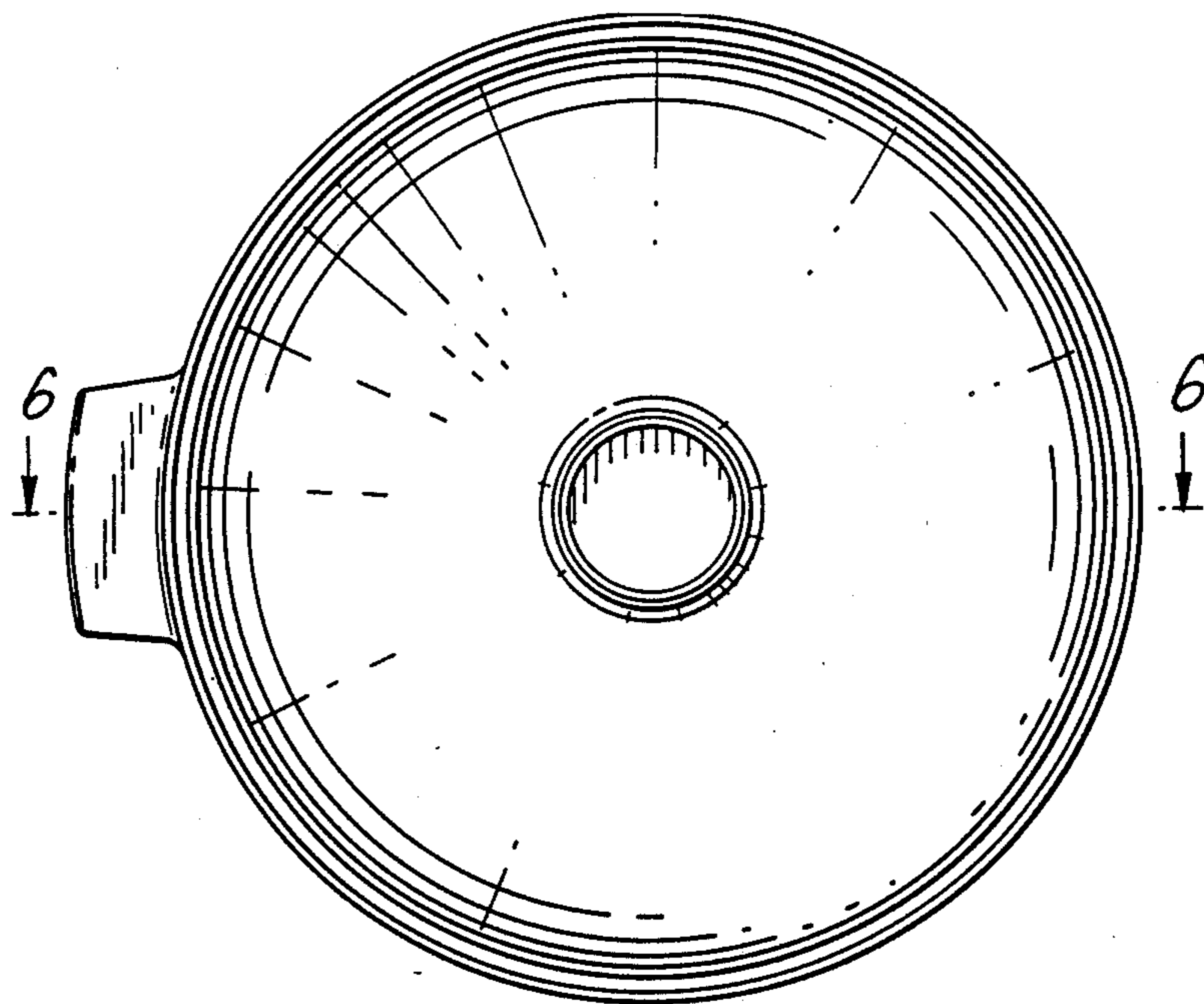


FIG. 5.

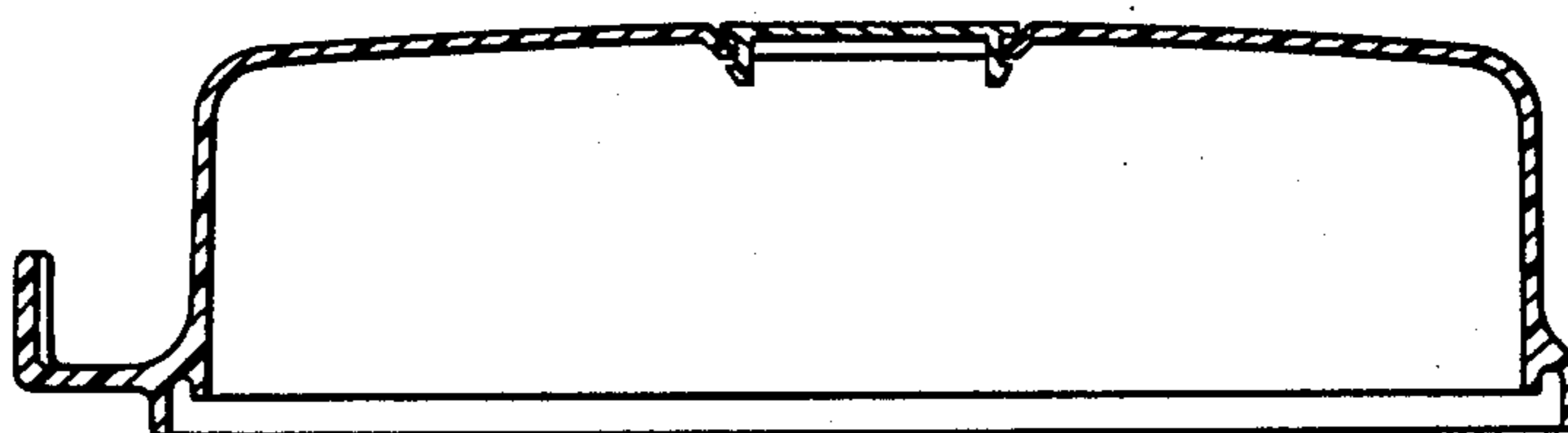


FIG. 6.

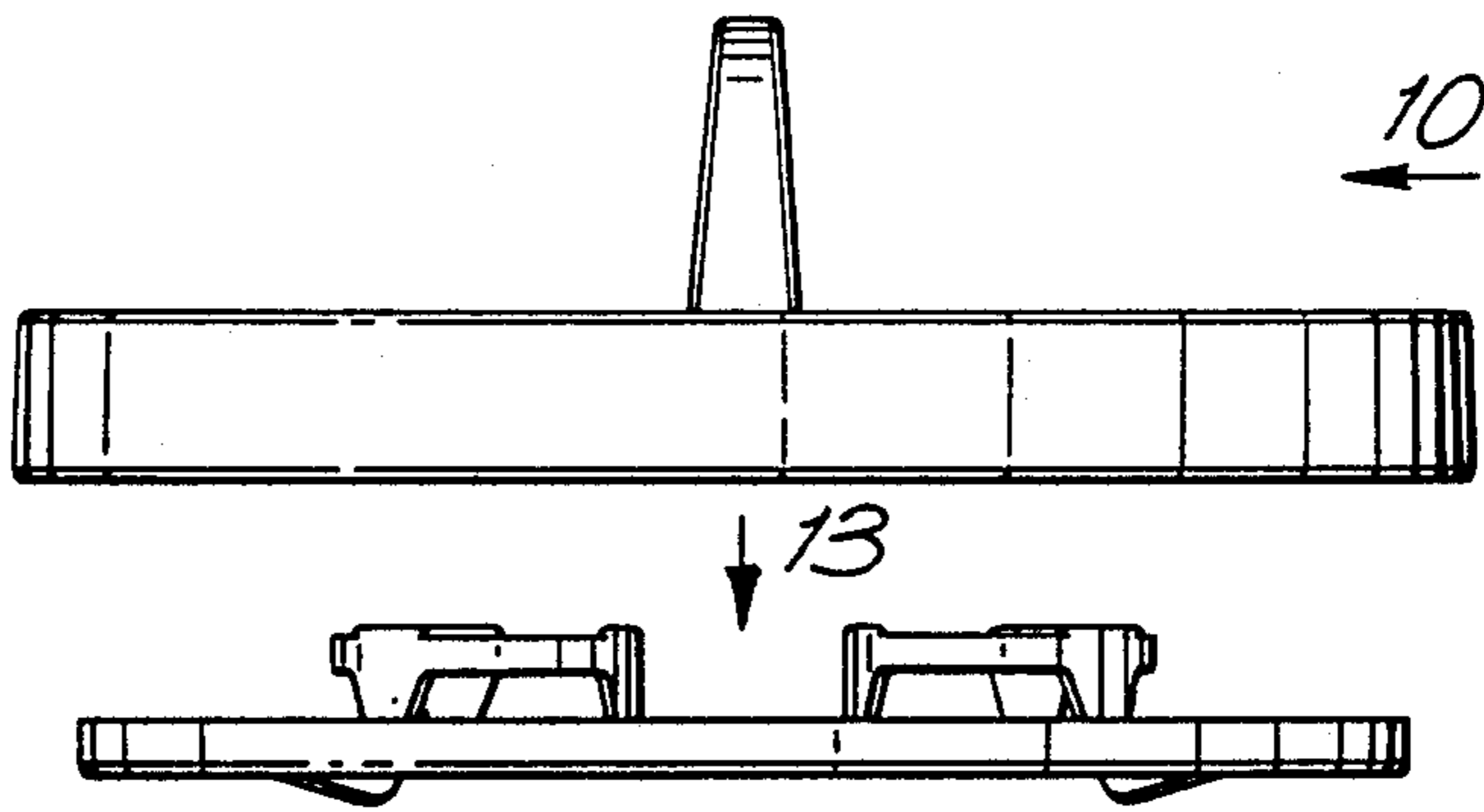


FIG. 7.

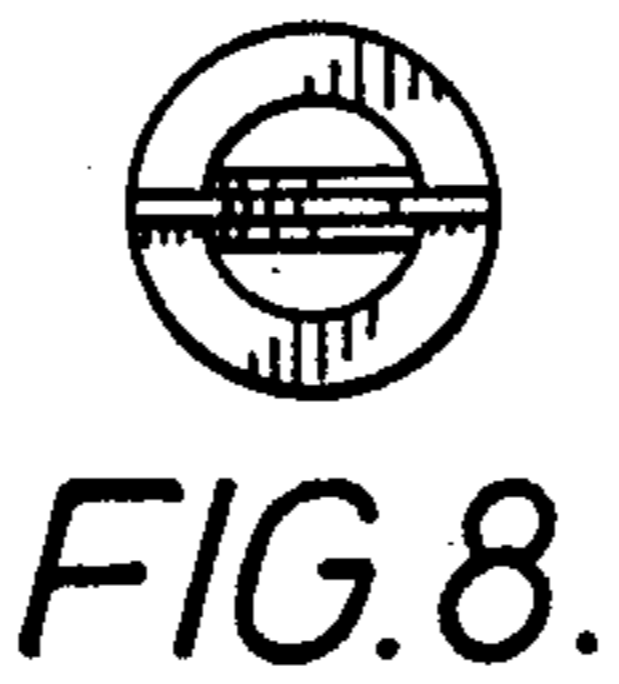
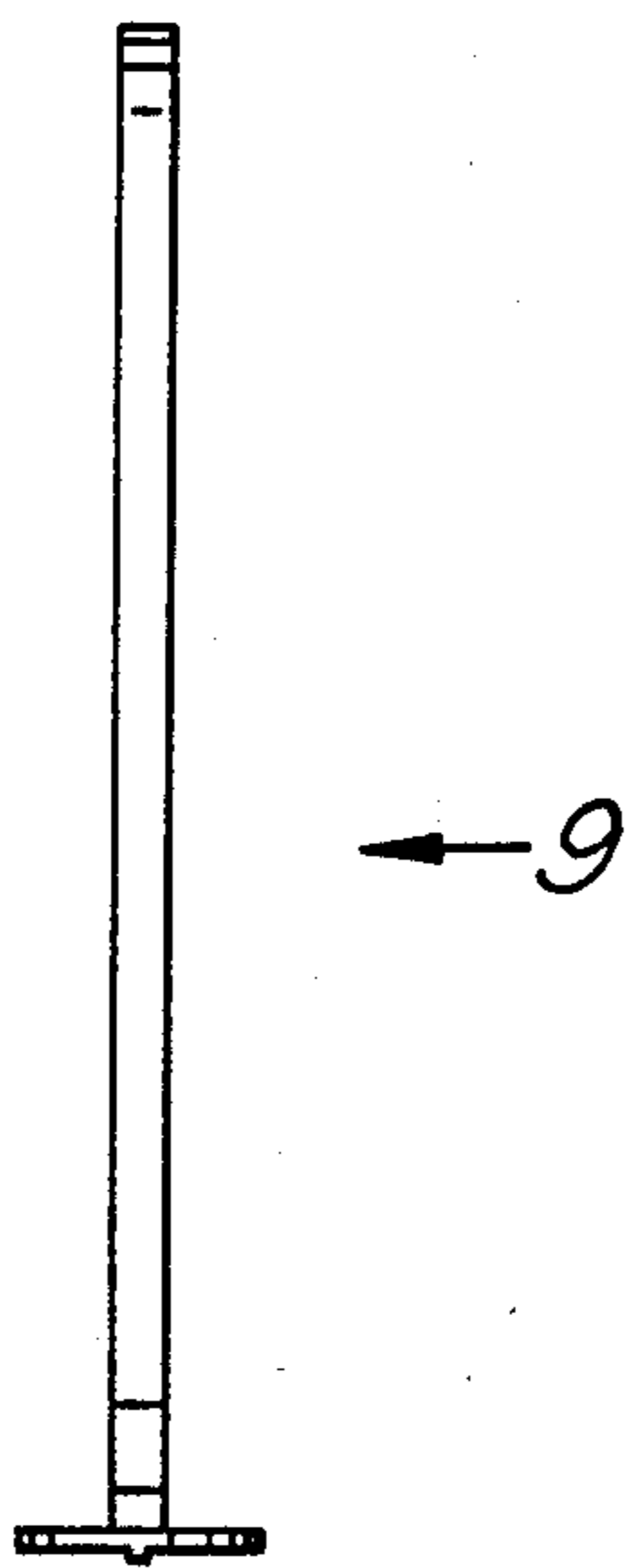


FIG. 8.

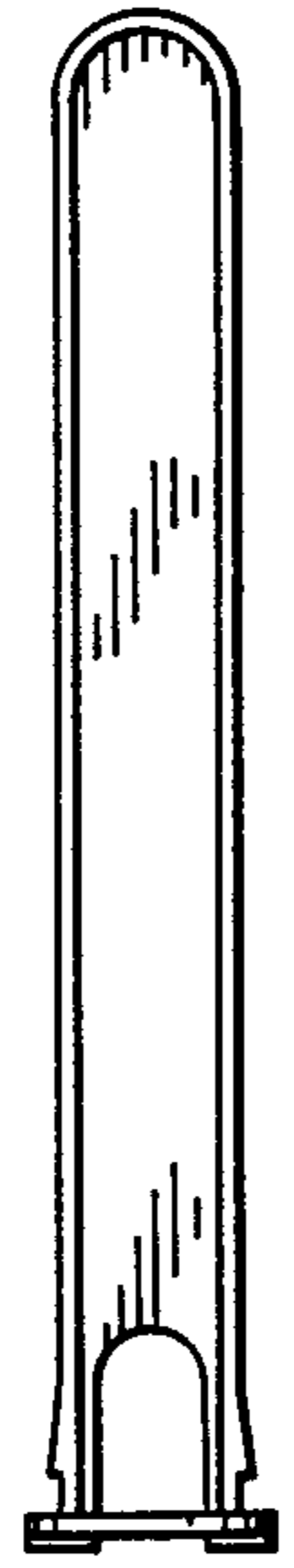
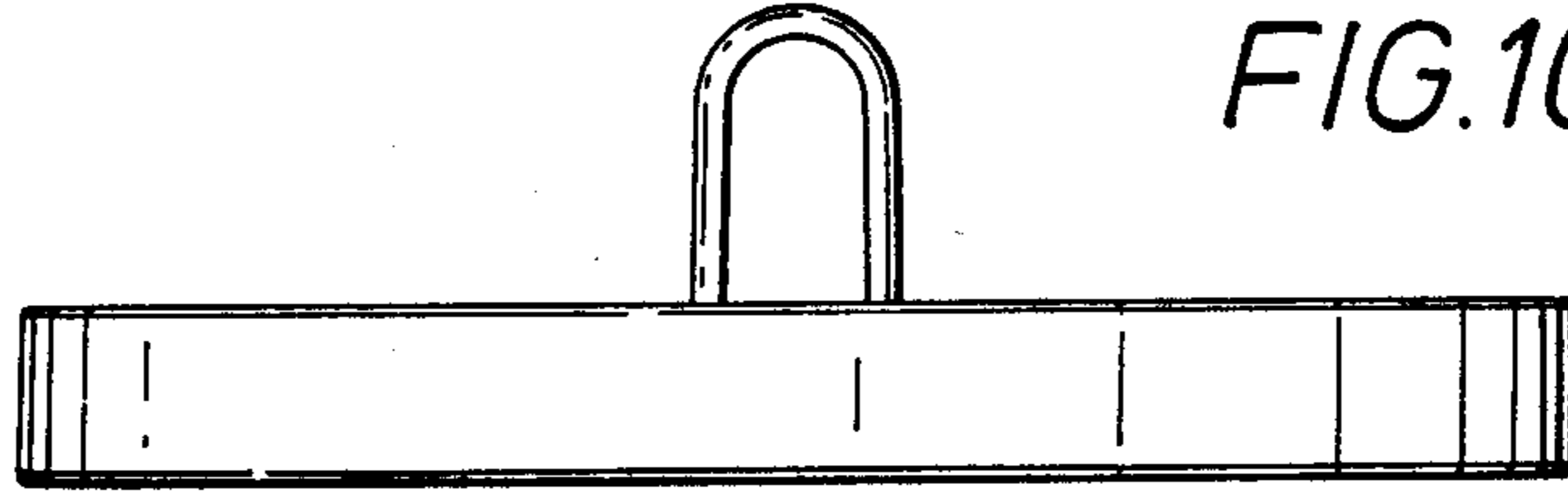
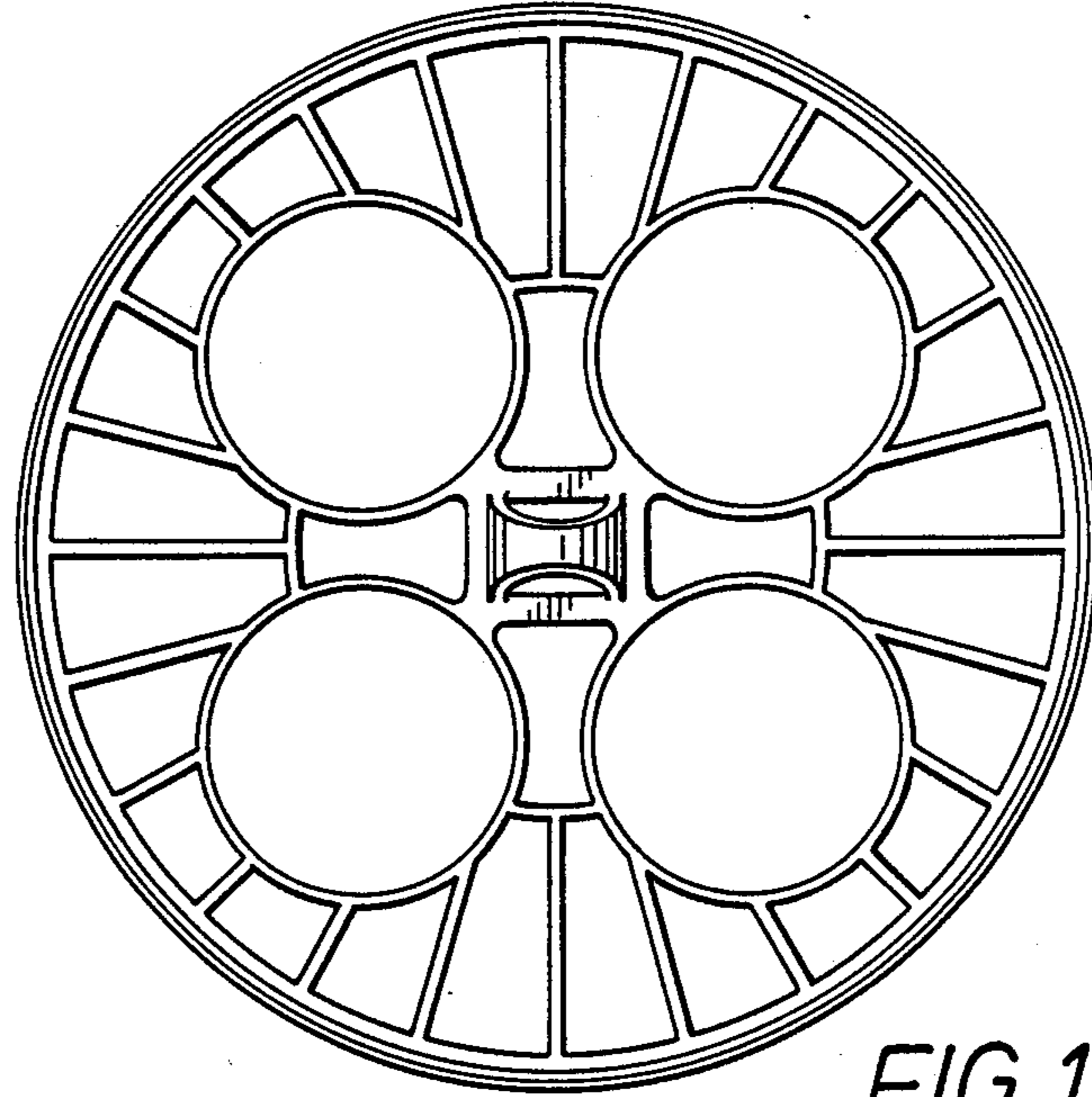


FIG. 9.

FIG. 10.



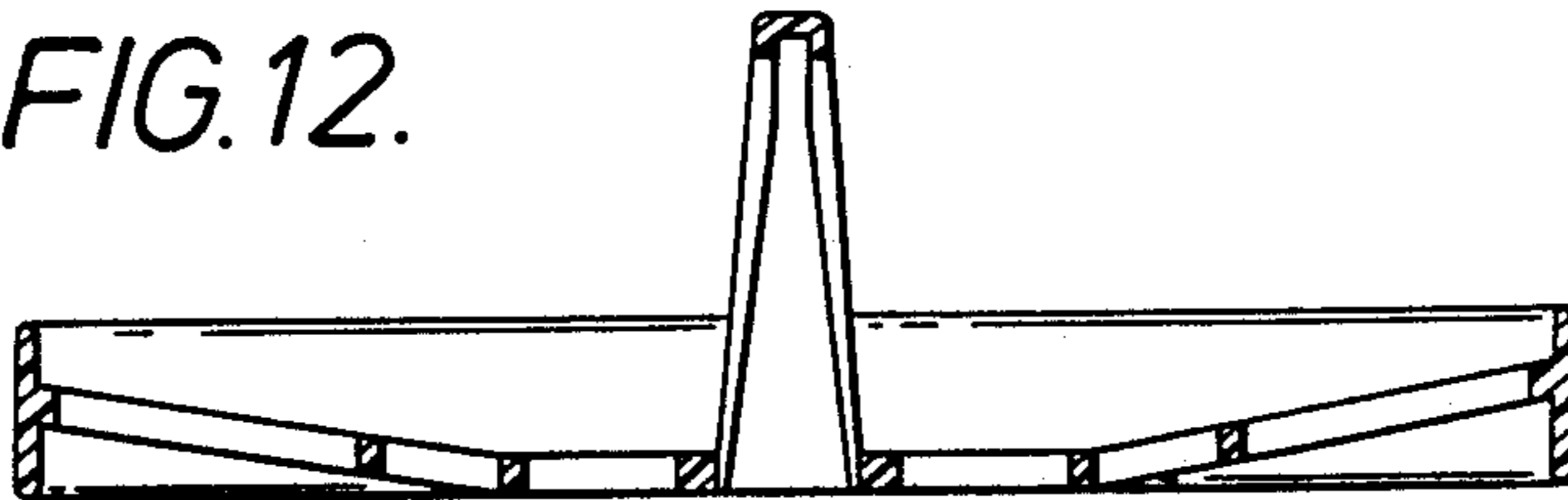
← 12



← 12

FIG. 11.

FIG. 12.



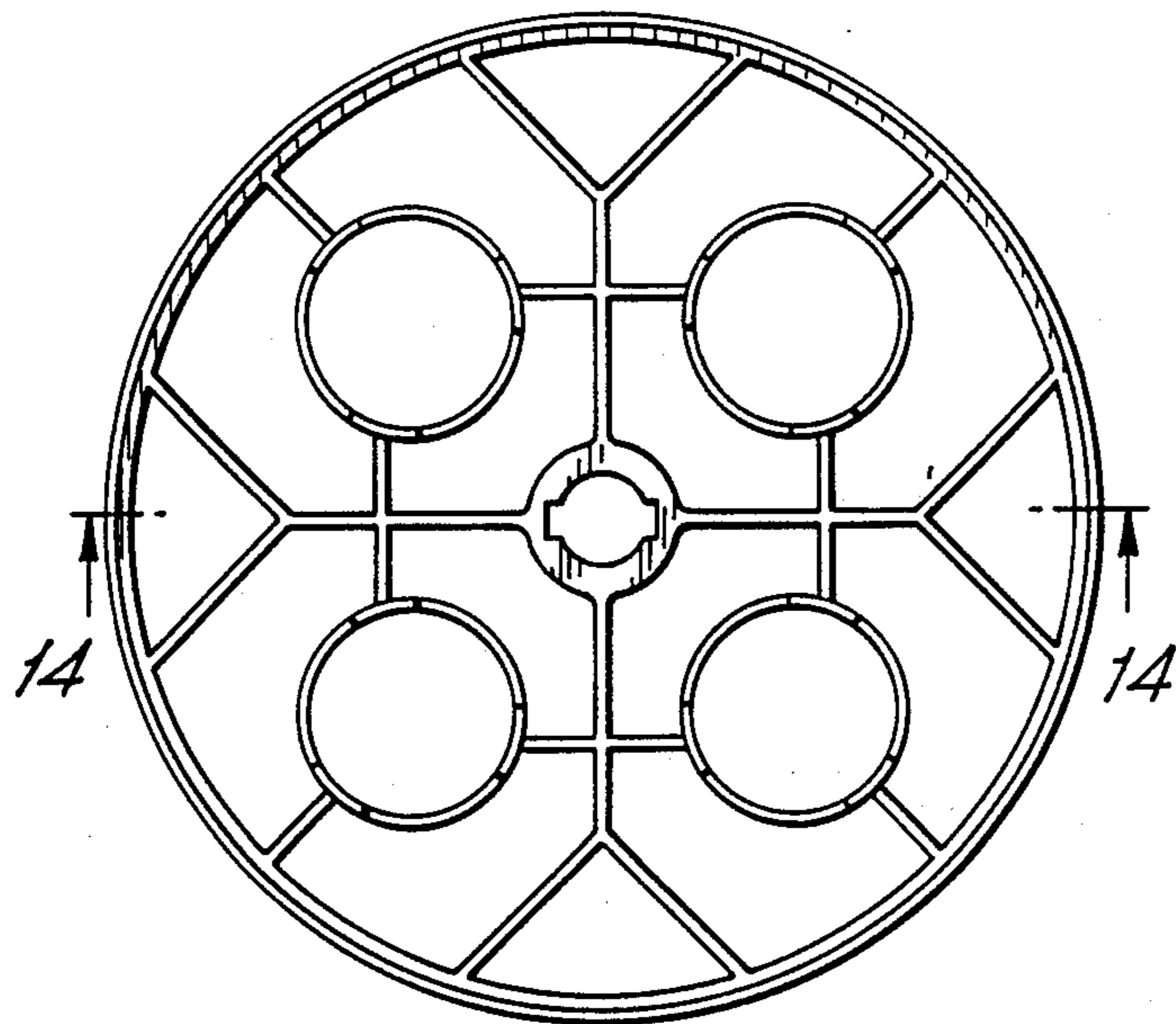


FIG. 13.



FIG. 14.