

[54] TRICEP BAR

[76] Inventor: Bruce E. Pearson, 409 W. Woodruff, Apt. 1, Searcy, Ark. 72143

[**] Term: 14 Years

[21] Appl. No.: 72,578

[22] Filed: Jul. 13, 1987

[52] U.S. Cl. D21/198

[58] Field of Search D21/191, 196, 197, 198, D21/199; 272/122, 123, 119, 118

[56] References Cited

U.S. PATENT DOCUMENTS

3,384,370	5/1968	Bailey et al.	272/123
4,618,143	10/1986	Twardosz	272/123
4,629,184	12/1986	Selkee	D21/197
4,690,400	9/1987	Metz	272/123
4,822,035	4/1989	Jennings et al.	272/123

FOREIGN PATENT DOCUMENTS

223926	7/1983	Fed. Rep. of Germany	272/122
--------	--------	----------------------------	---------

OTHER PUBLICATIONS

Muscle and Fitness, 6-1987, Buckeye Barbell ad, item "A" Lat Pull Bar.

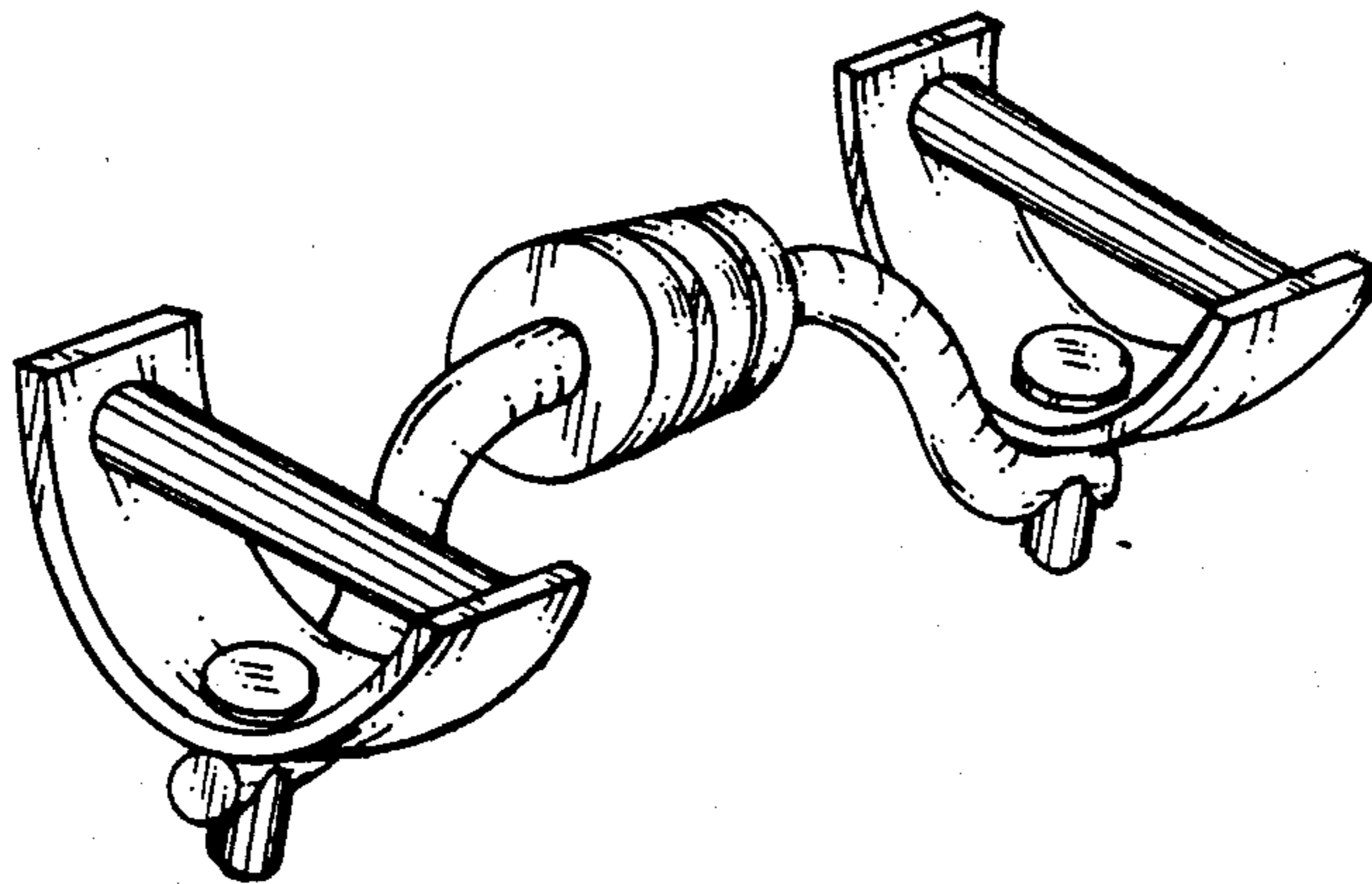
Primary Examiner—Charles A. Rademaker
Attorney, Agent, or Firm—Stephen D. Carver

[57] CLAIM

The ornamental design for a tricep bar, as shown and described.

DESCRIPTION

FIG. 1 is a front perspective view of a tricep bar showing my new design;
 FIG. 2 is another perspective view thereof showing the hand grip members in alternate positions;
 FIG. 3 is a front elevational view thereof shown on a slightly enlarged scale;
 FIG. 4 is a top plan view thereof;
 FIG. 5 is a bottom plan view thereof;
 FIG. 6 is a top perspective view thereof;
 FIG. 7 is a cross-sectional view thereof taken along line 7-7 in FIG. 3; and,
 FIG. 8 is an end elevational view thereof, the end opposite being identical.



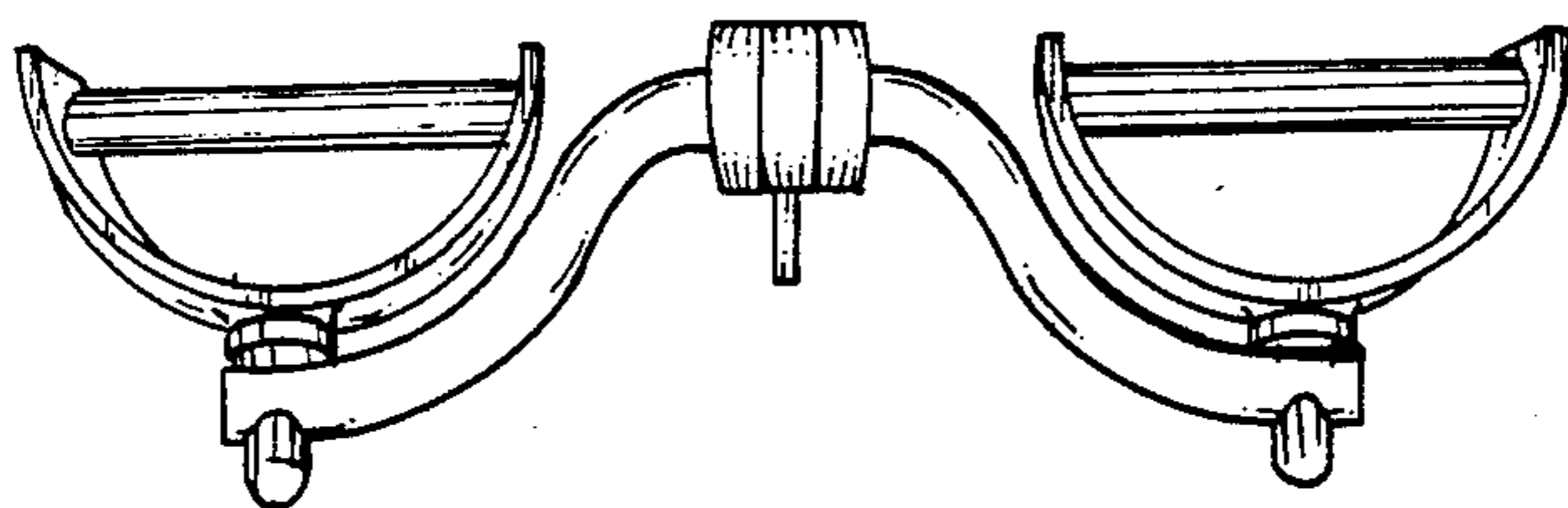


FIG. 1

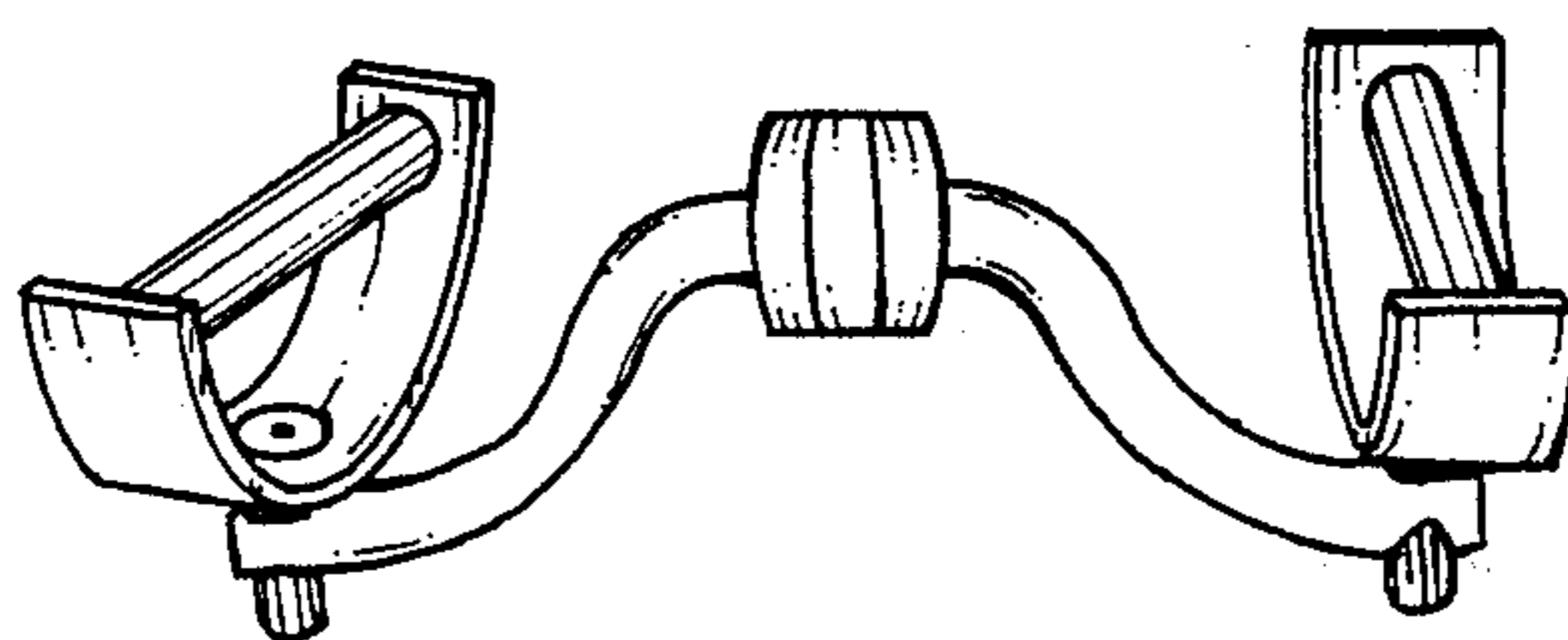


FIG. 2

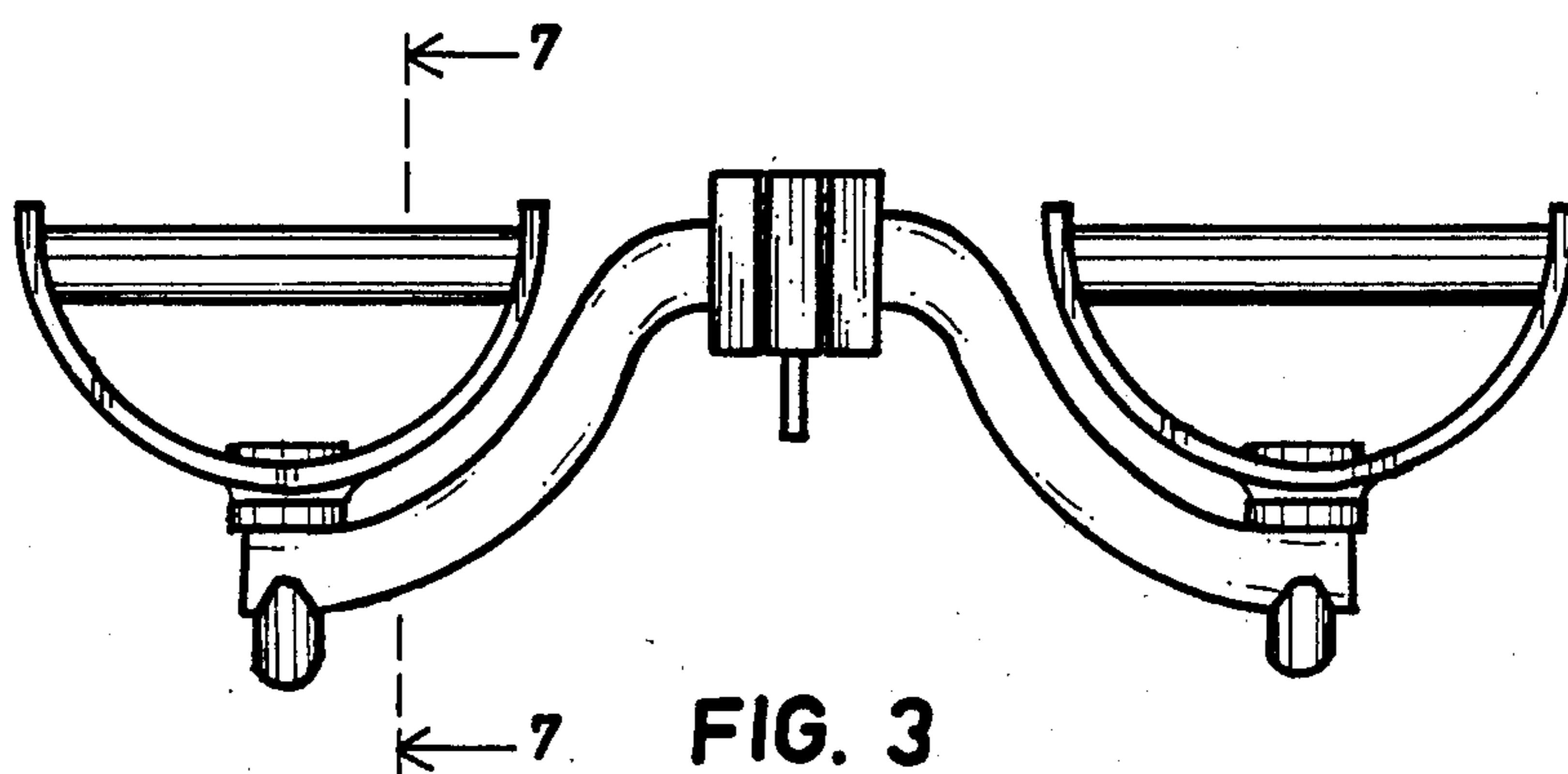


FIG. 3



FIG. 4



FIG. 5

FIG. 7



FIG. 8

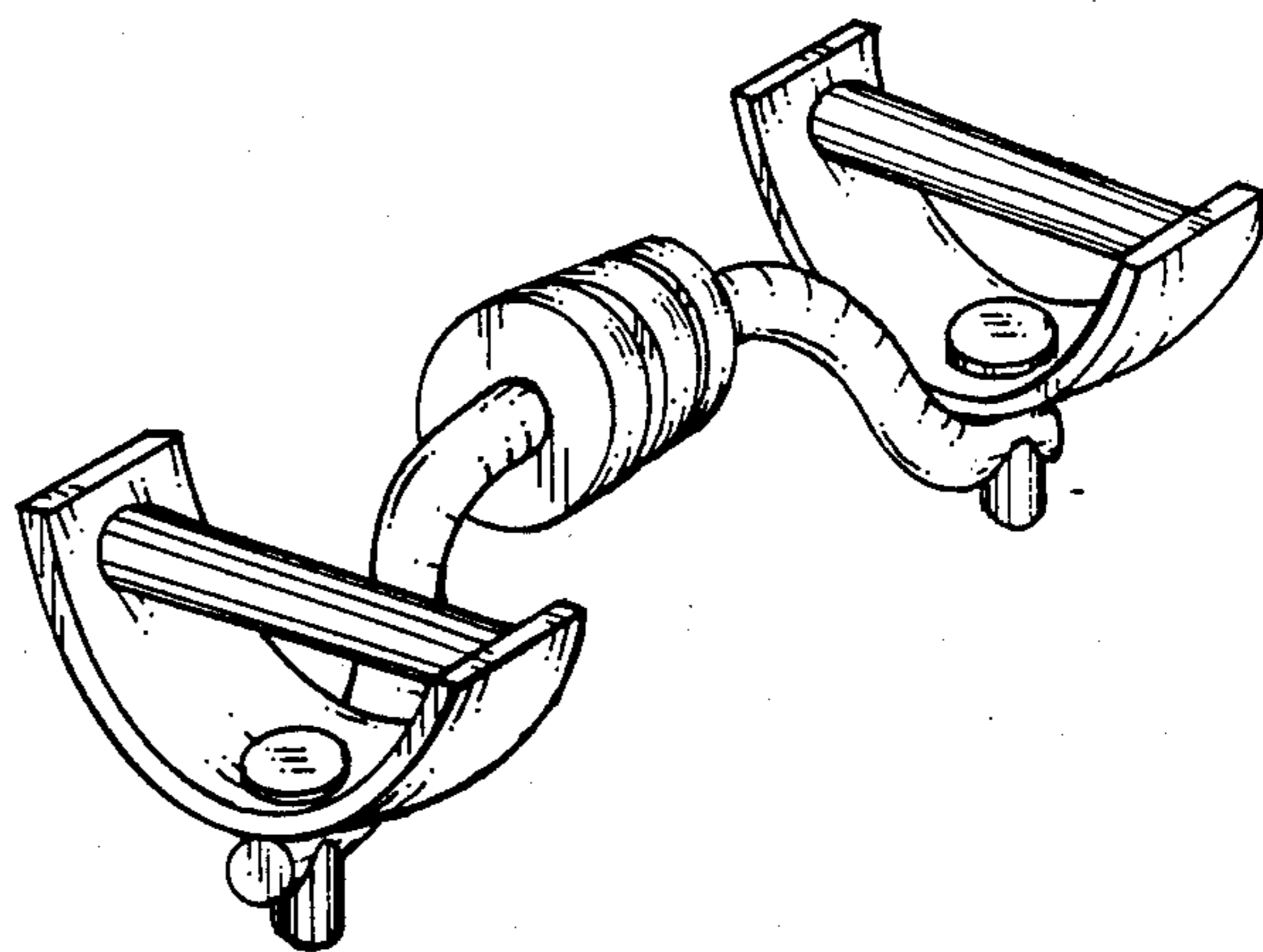


FIG. 6

B/W