

[54] RECONFIGURABLE TOY TIGER

[75] Inventor: Takayuki Ishizawa, Souka, Japan

[73] Assignee: Takara Co., Ltd., Tokyo, Japan

[**] Term: 14 Years

[21] Appl. No.: 942,099

[22] Filed: Dec. 15, 1986

[30] Foreign Application Priority Data

Oct. 29, 1986 [JP] Japan 61-42846

[52] U.S. Cl. D21/163; D21/150

[58] Field of Search D21/148, 150, 163; 446/376, 487, 97-100, 71-76

[56] References Cited

U.S. PATENT DOCUMENTS

D. 298,559 11/1988 Kitamura D21/163

D. 298,561 11/1988 Kitamura D21/163

Primary Examiner—Melvin B. Feifer

Attorney, Agent, or Firm—Price, Gess & Ubell

[57] CLAIM

The ornamental design for a reconfigurable toy tiger, as shown and described.

DESCRIPTION

FIG. 1 is a front perspective view of a reconfigurable toy tiger showing my new design;

FIG. 2 is a front elevational view thereof;

FIG. 3 is a right side elevational view thereof, the side opposite being a mirror image;

FIG. 4 is a rear elevational view thereof;

FIG. 5 is a top plan view thereof;

FIG. 6 is a bottom plan view thereof;

FIG. 7 is another front perspective view of the design shown in FIGS. 1 through 6 in a humanoid robot configuration;

FIG. 8 is a front elevational view thereof;

FIG. 9 is a right side elevational view thereof, the side opposite being a mirror image;

FIG. 10 is a rear elevational view thereof;

FIG. 11 is a top plan view thereof; and

FIG. 12 is a bottom plan view thereof.

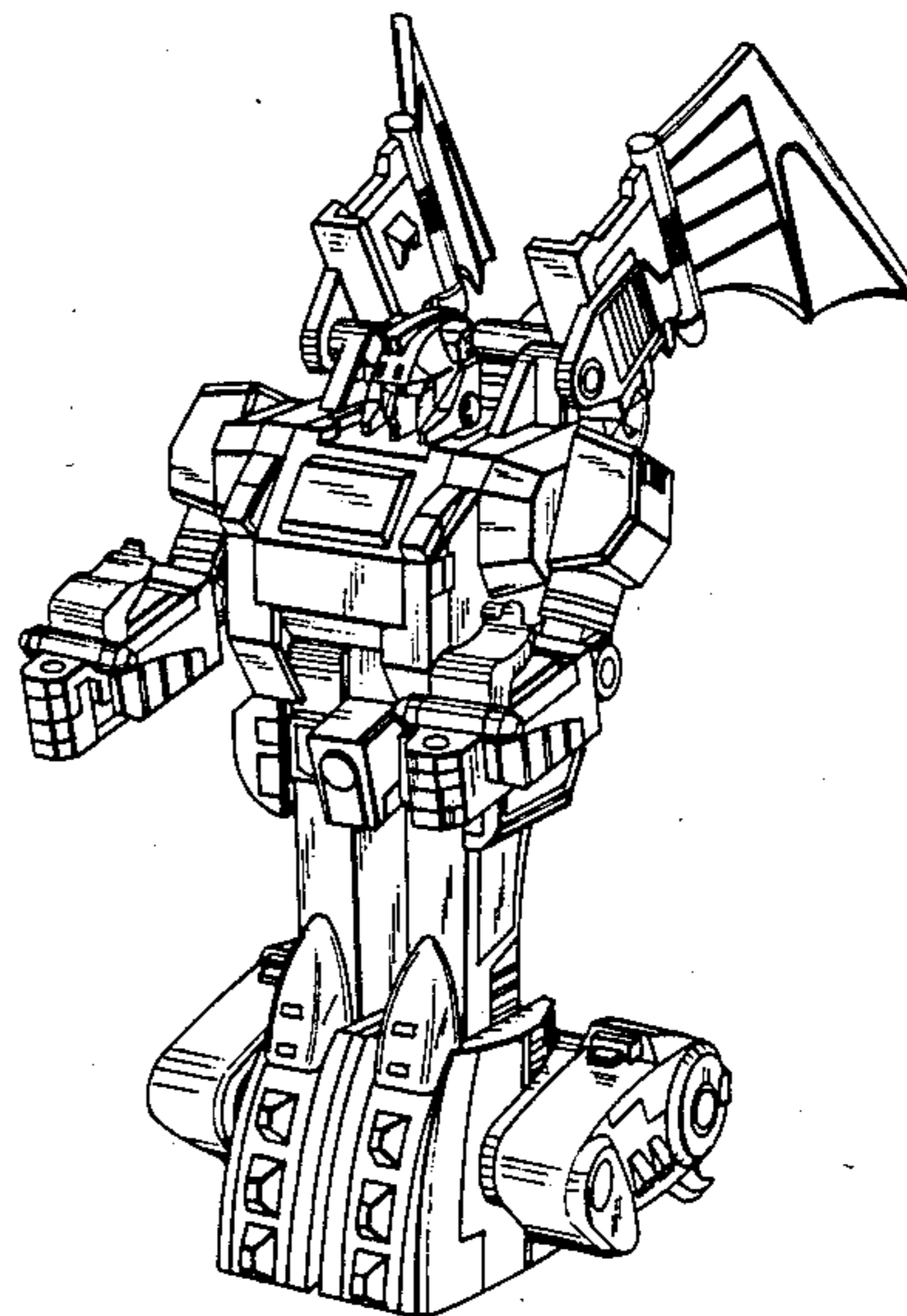
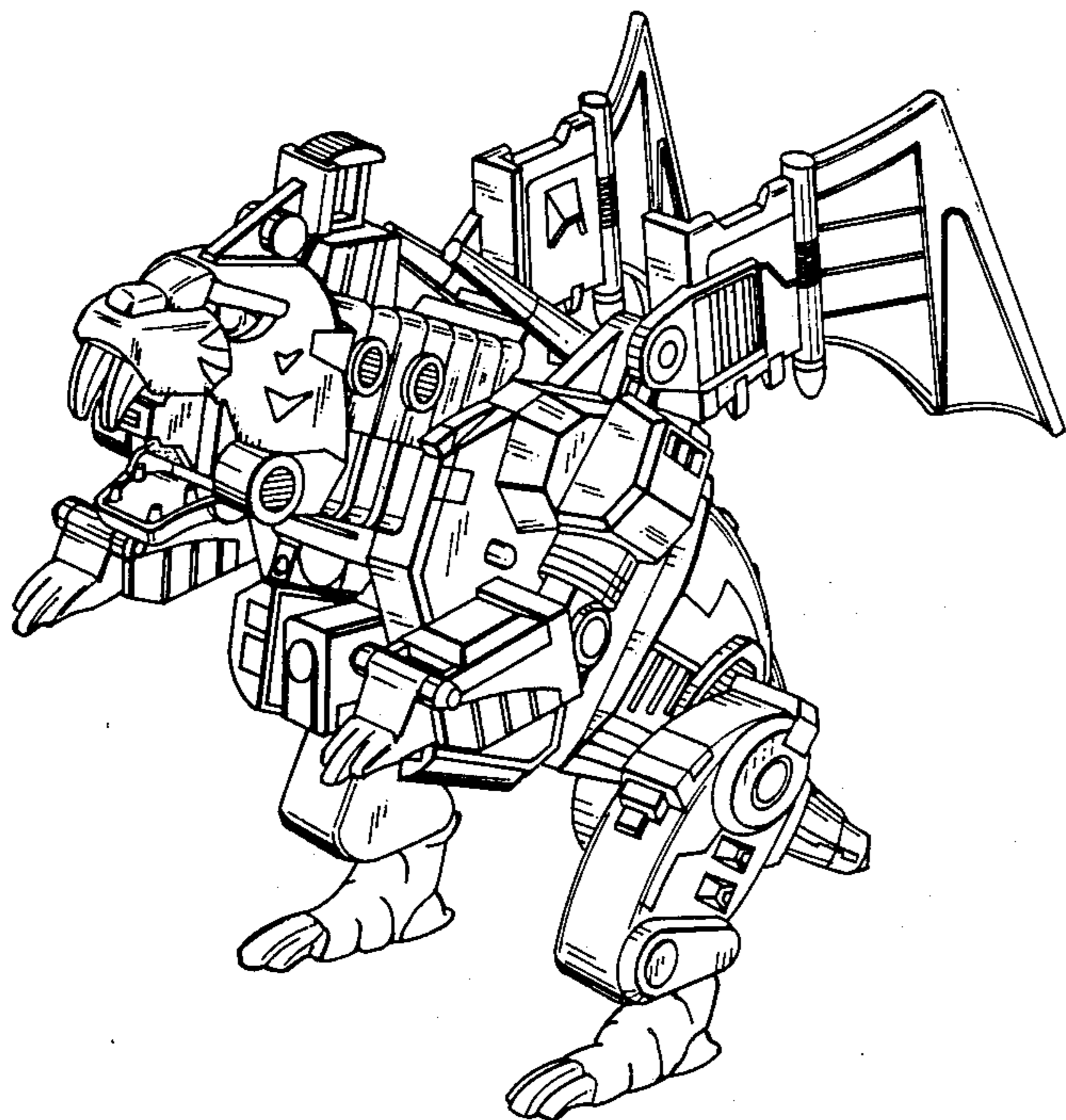


FIG. 2

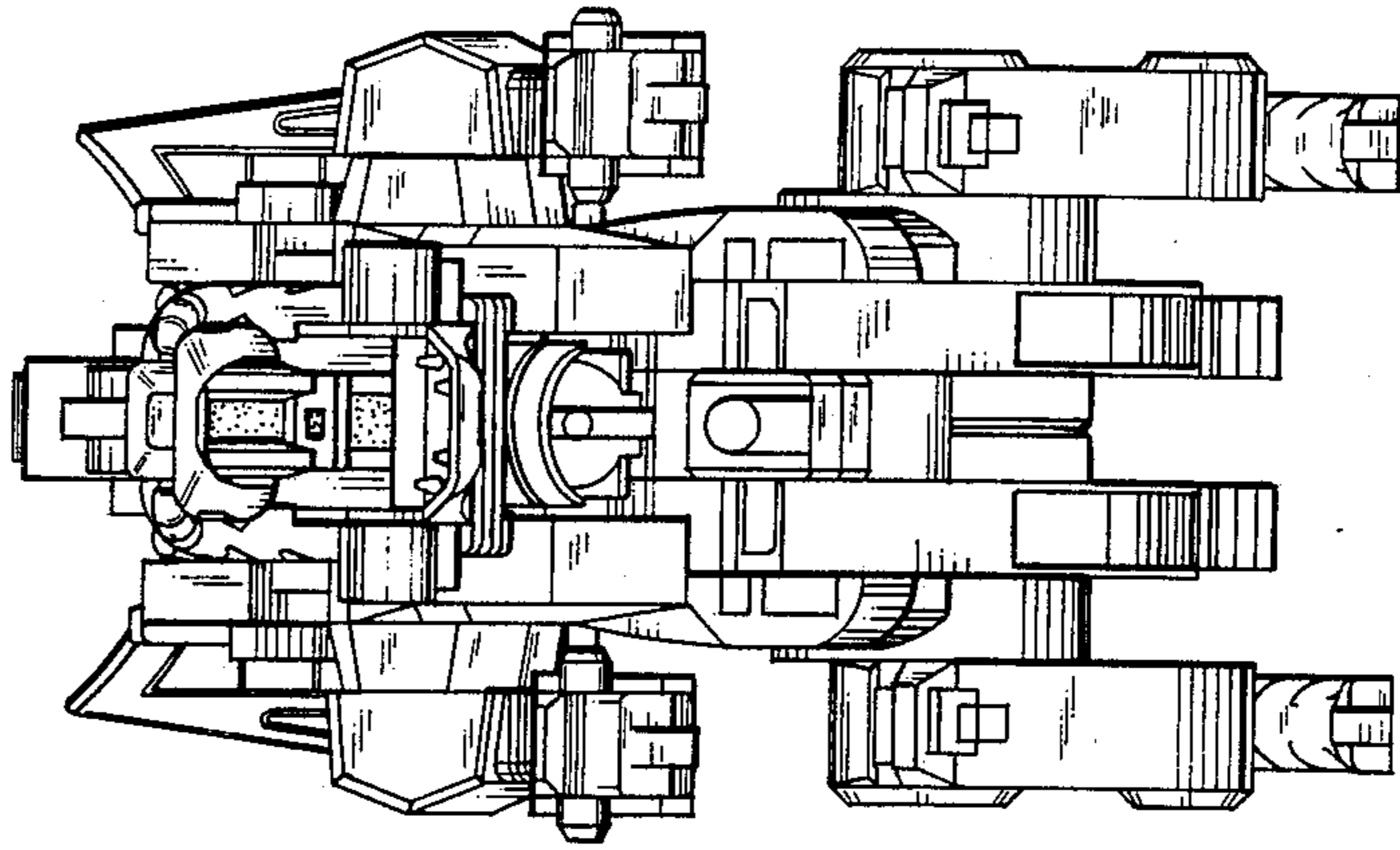


FIG. 1

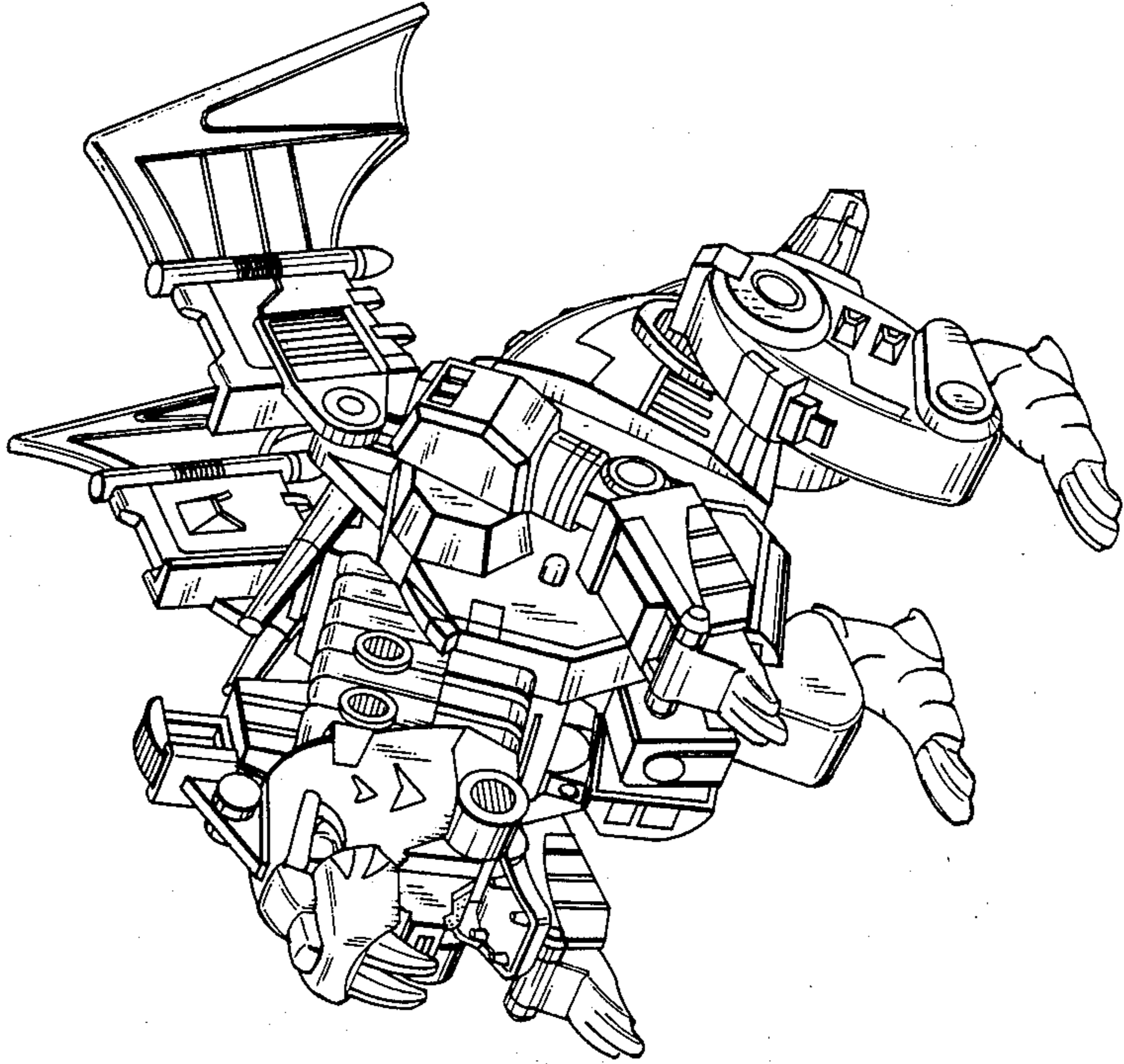


FIG. 4

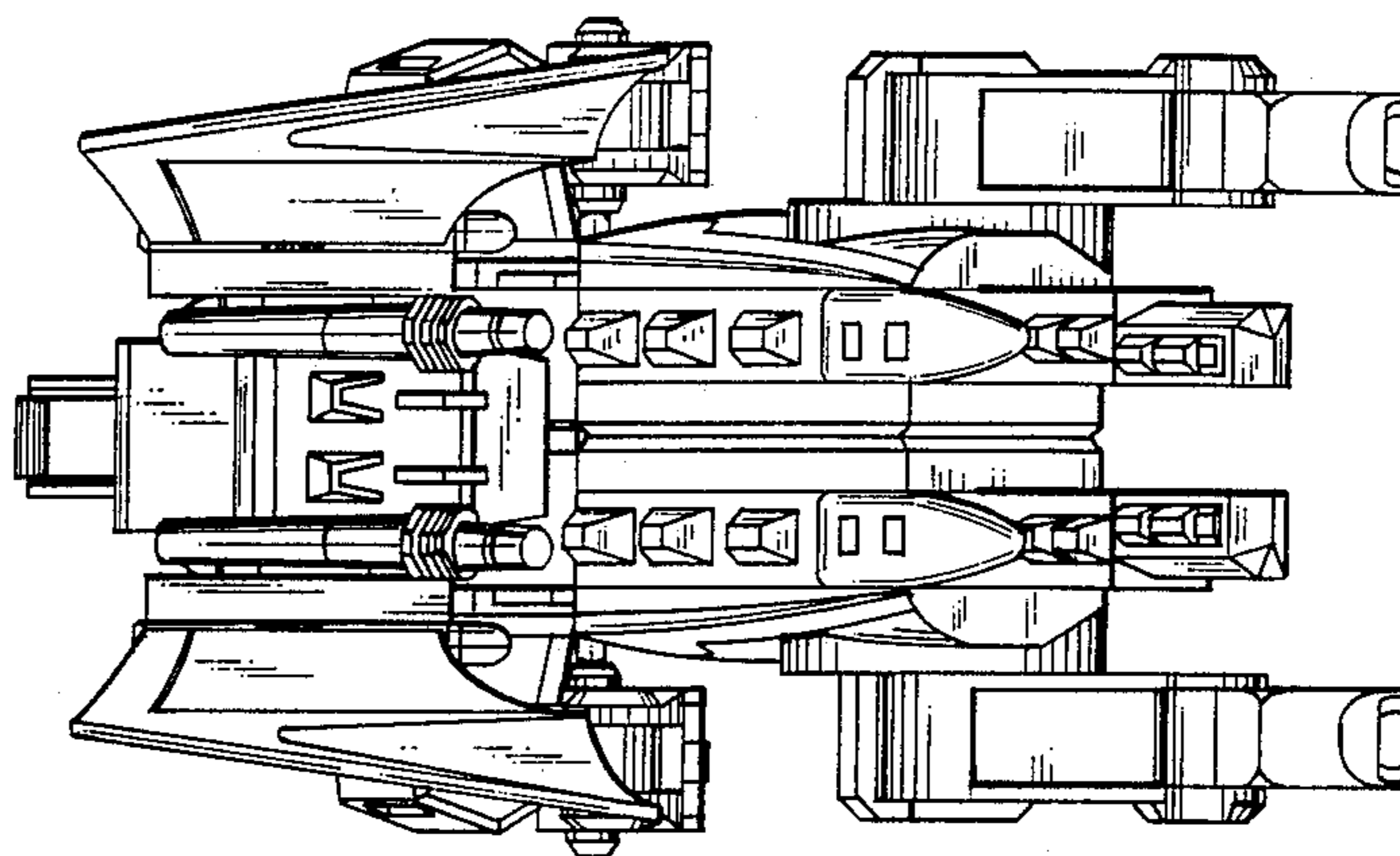


FIG. 3

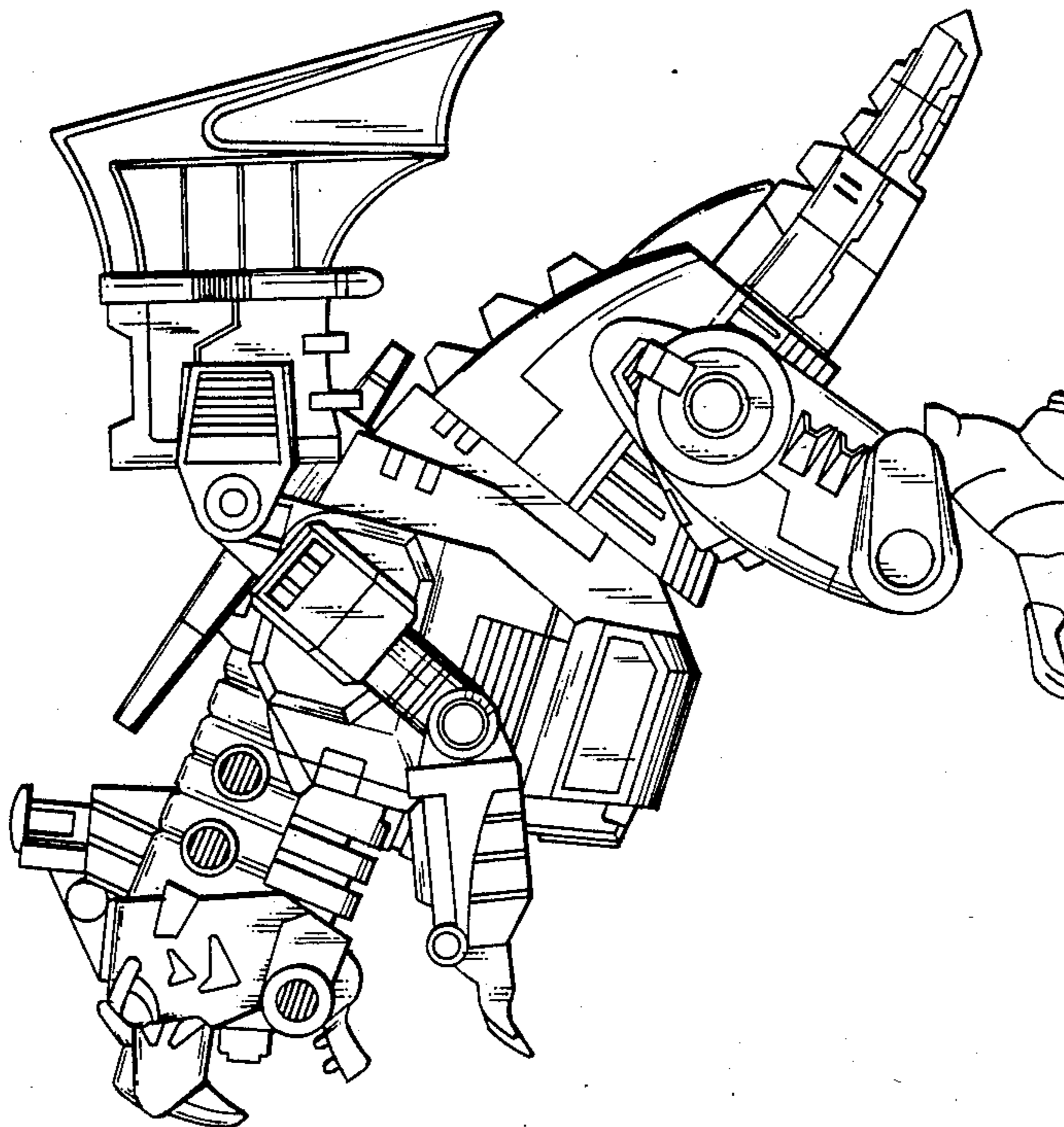


FIG. 6

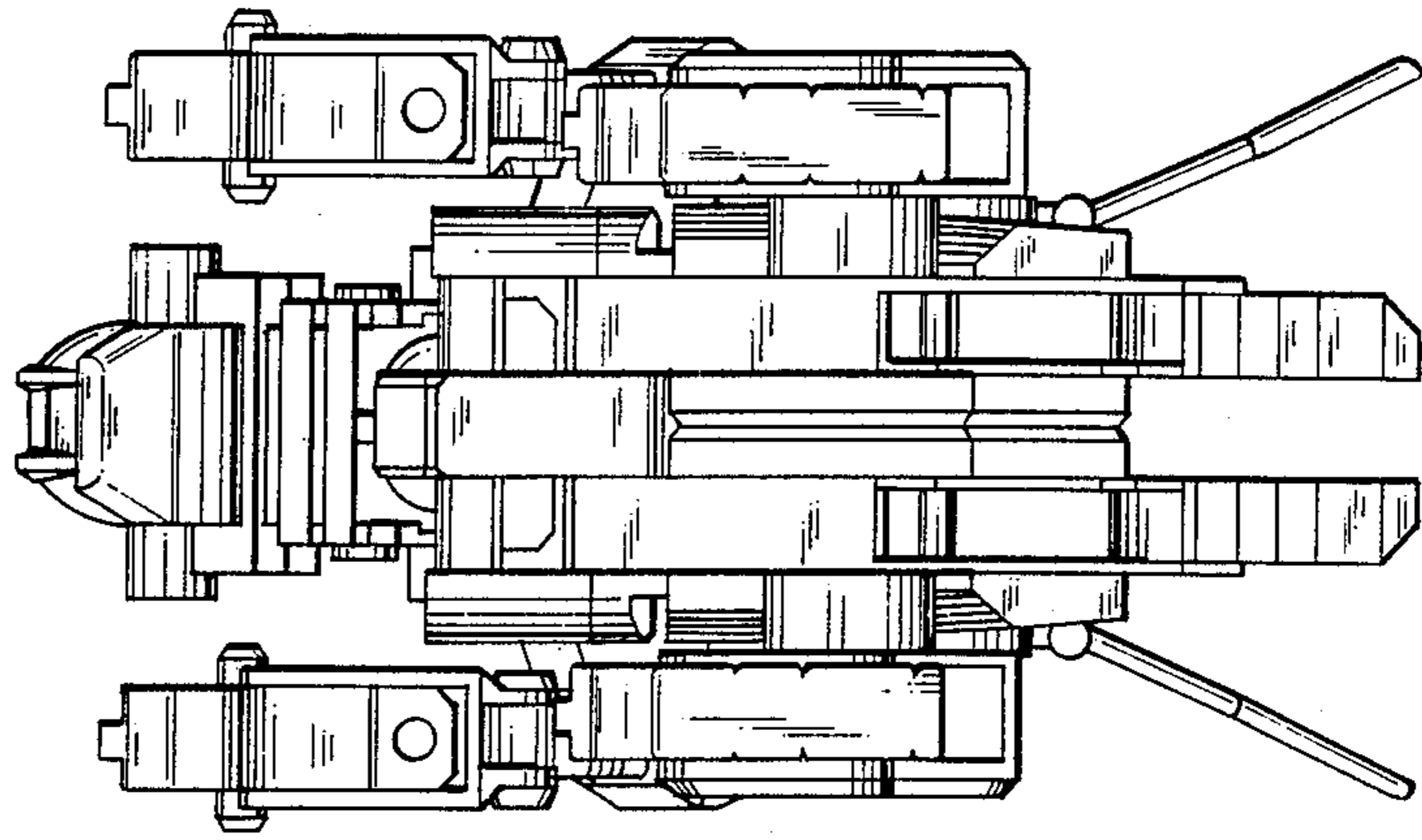


FIG. 5

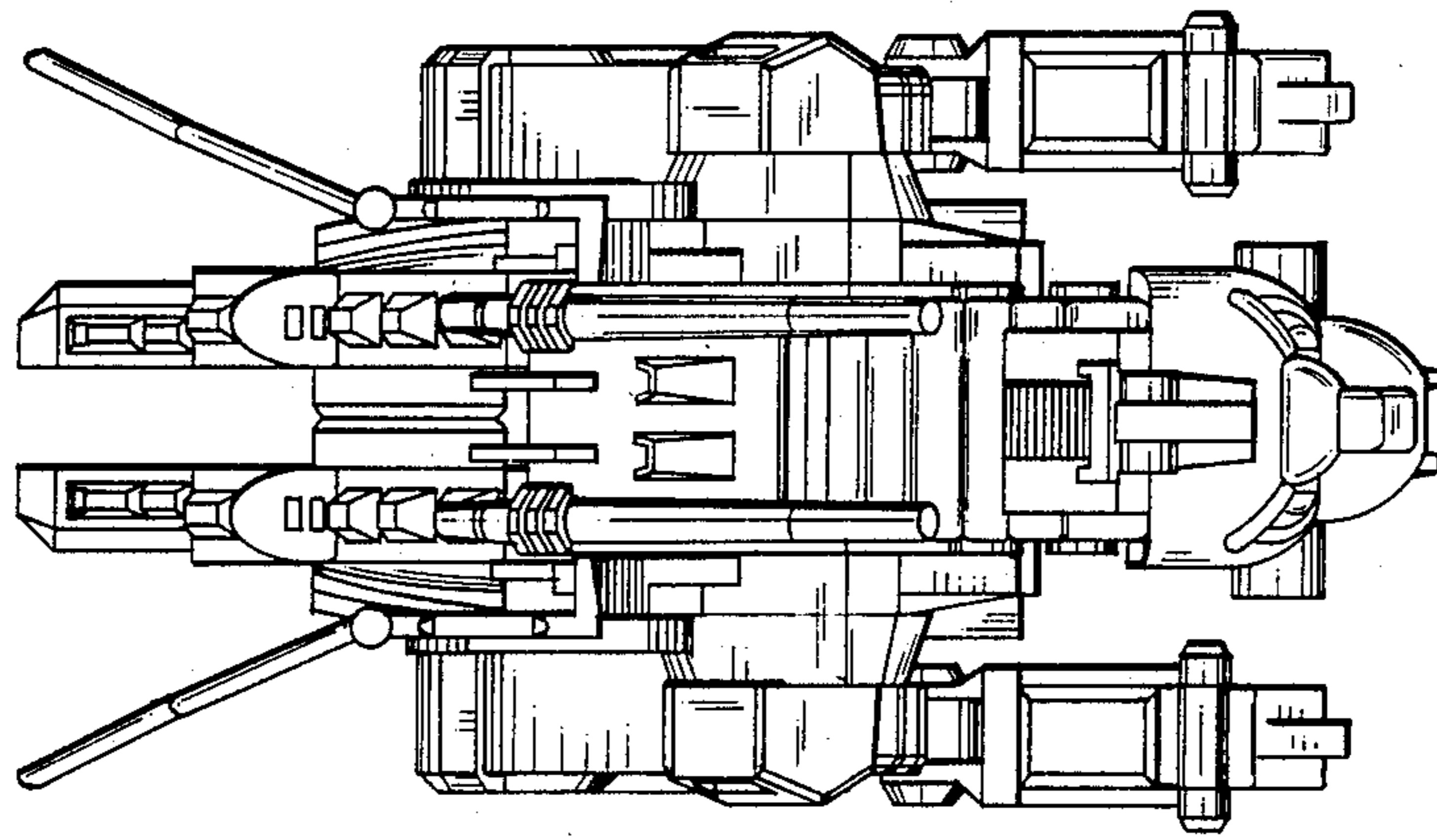


FIG. 8

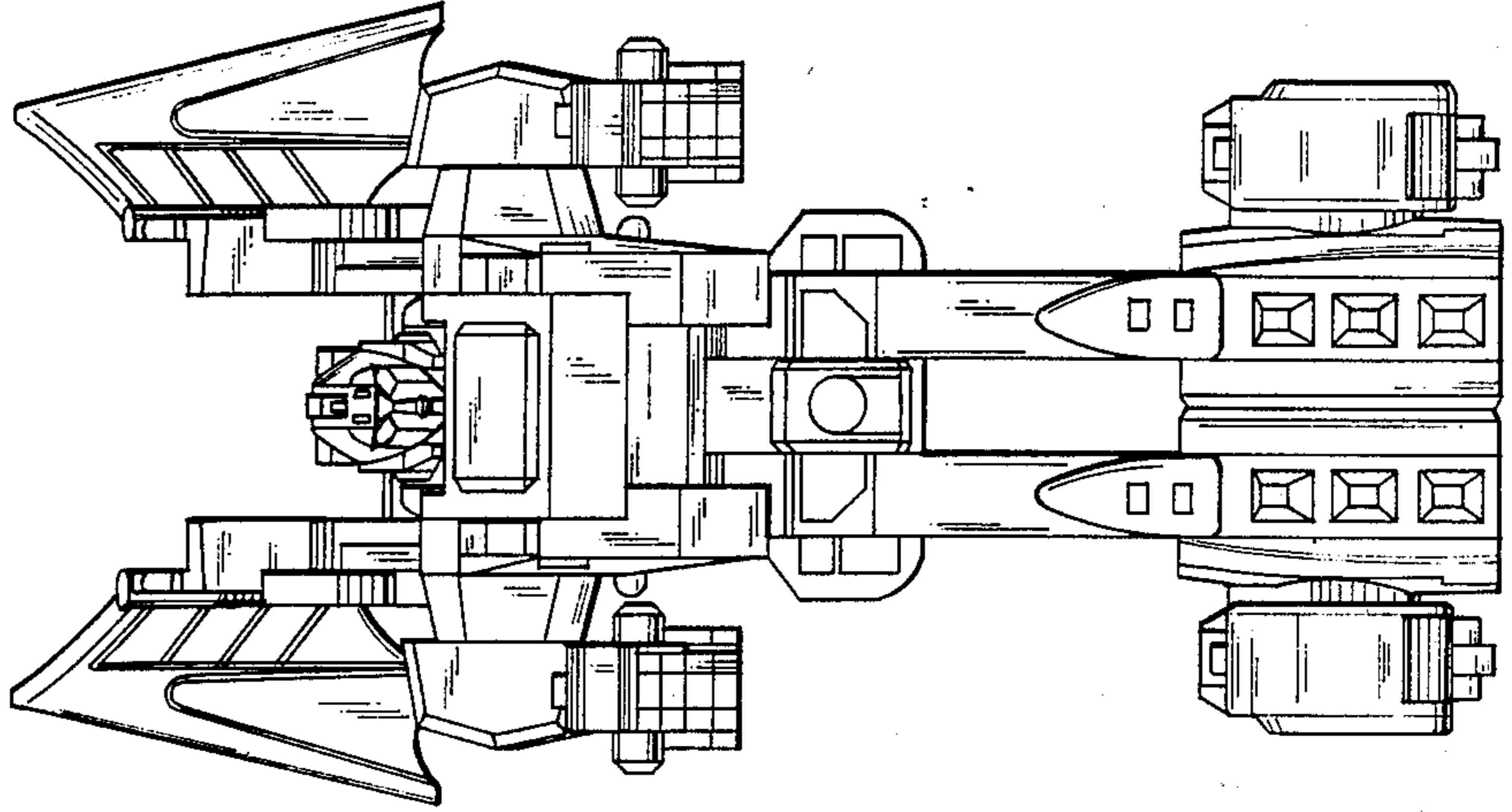


FIG. 7

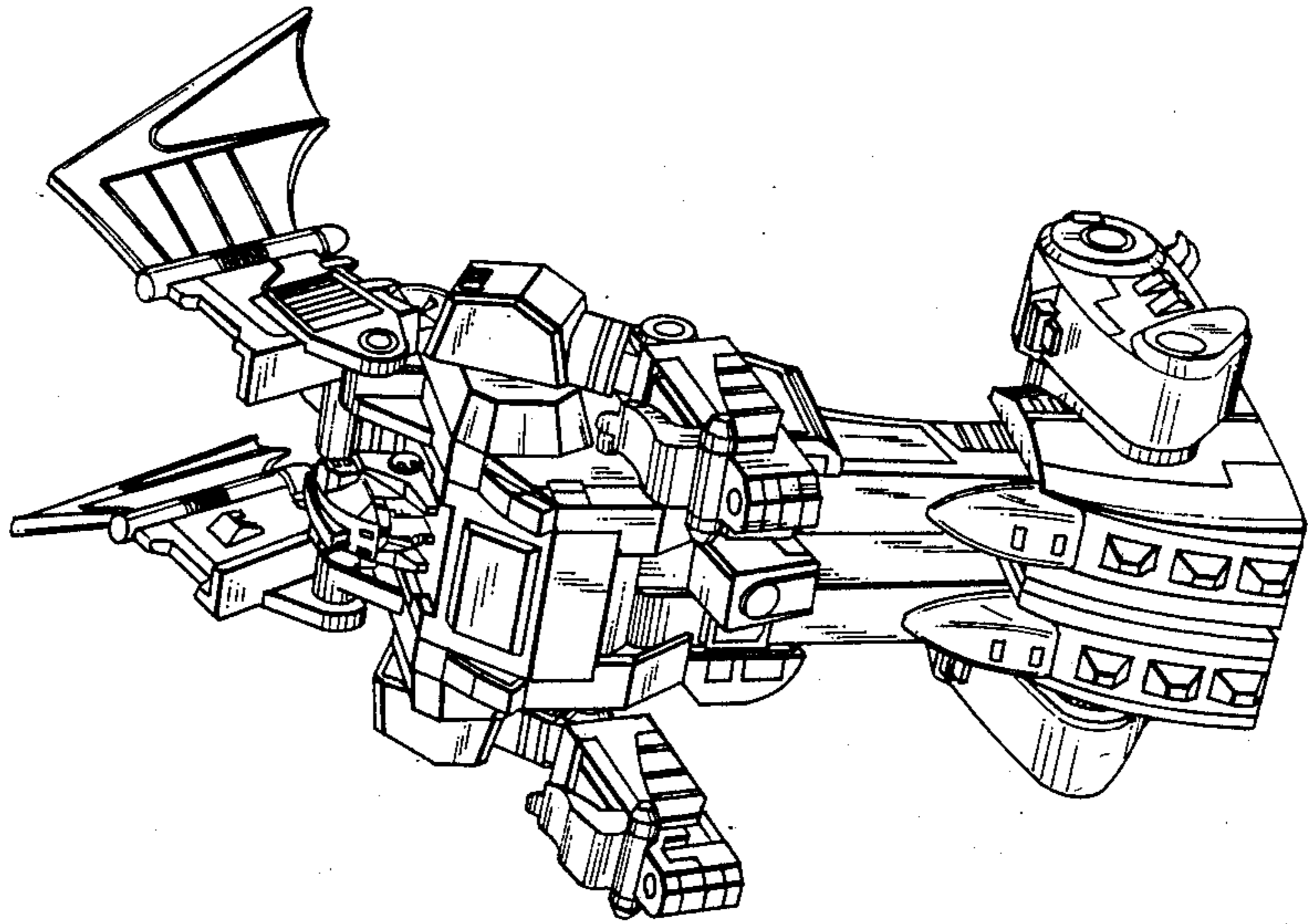


FIG. 10

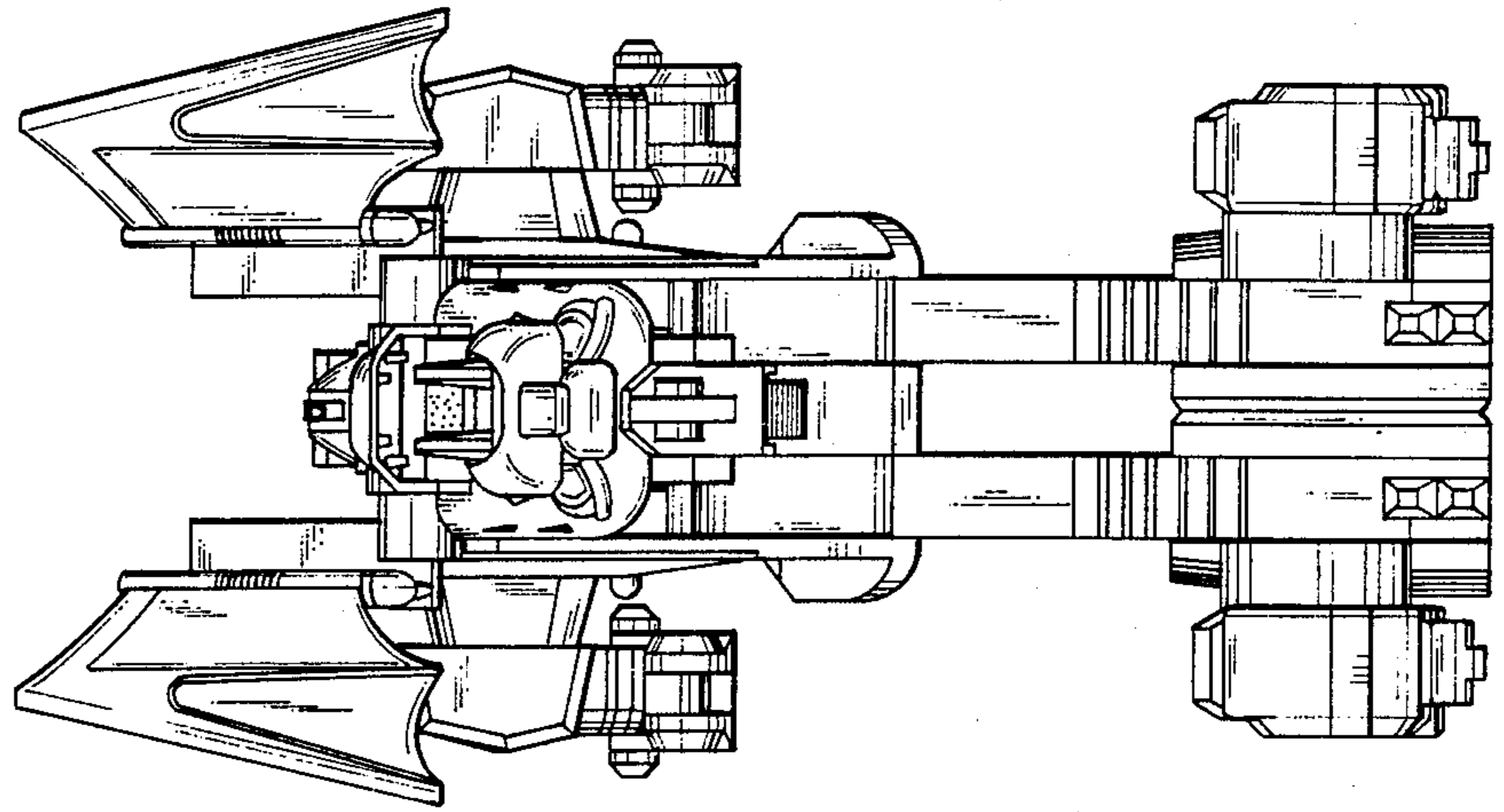


FIG. 9

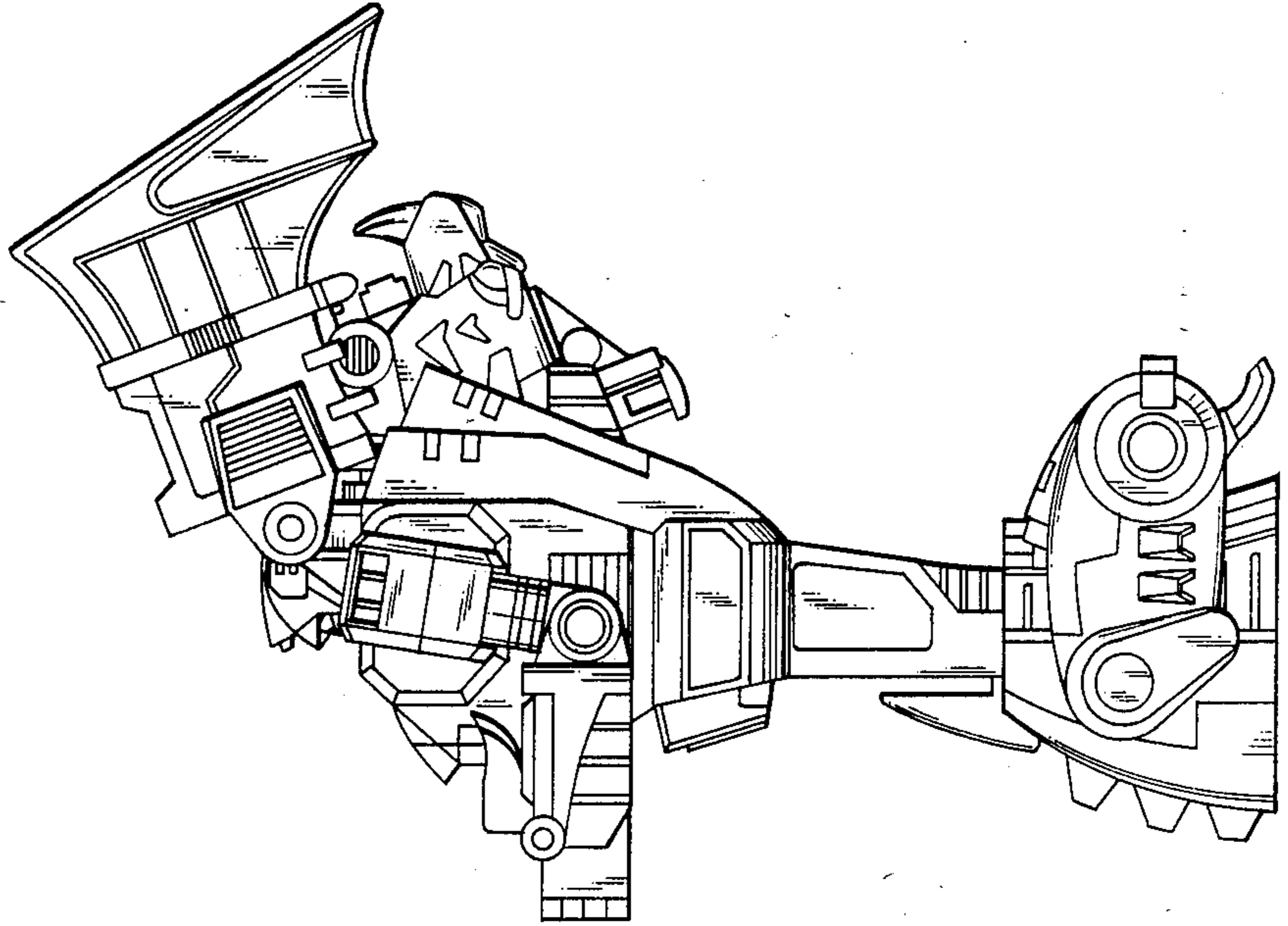


FIG. 12

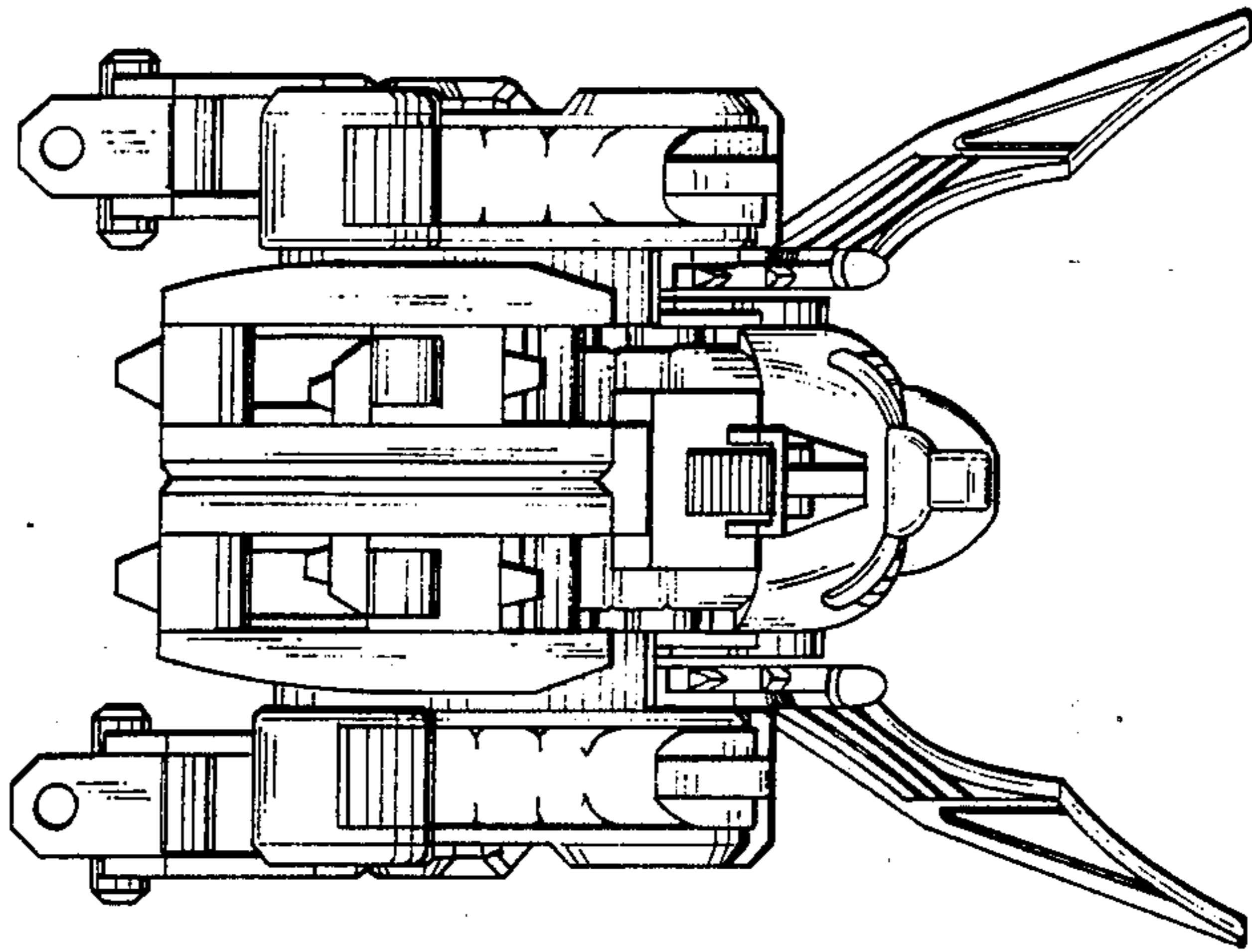


FIG. 11

