

[54] MICROFILM CAMERA WITH READER-PRINTER

4,278,346 7/1981 Toriumi et al. 355/5
4,298,269 11/1981 Yoshimaru et al. 355/3 R
4,693,589 9/1987 Watanabe et al. 355/54

[75] Inventors: Hiroshi Fukuda; Masahiro Fukuda, both of Tokyo, Japan

[73] Assignee: Fuji Photo Film Co., Ltd., Kanagawa, Japan

[**] Term: 14 Years

[21] Appl. No.: 865,904

[22] Filed: May 14, 1986

[52] U.S. Cl. D16/223

[58] Field of Search 355/5, 18, 19, 54, 133; D16/223, 225; D18/36, 38, 39

[56] References Cited

U.S. PATENT DOCUMENTS

- D. 176,927 2/1956 Perzentka et al. D16/223
- D. 195,605 7/1963 Stevens et al. D16/223
- D. 228,205 8/1973 McClare D16/225
- D. 294,033 2/1988 Kojima D16/223
- D. 298,254 10/1988 Morozumi D16/223

OTHER PUBLICATIONS

Design News, Jul. 6, 1987, p. 46, copyright 1985 Minolta Corp.

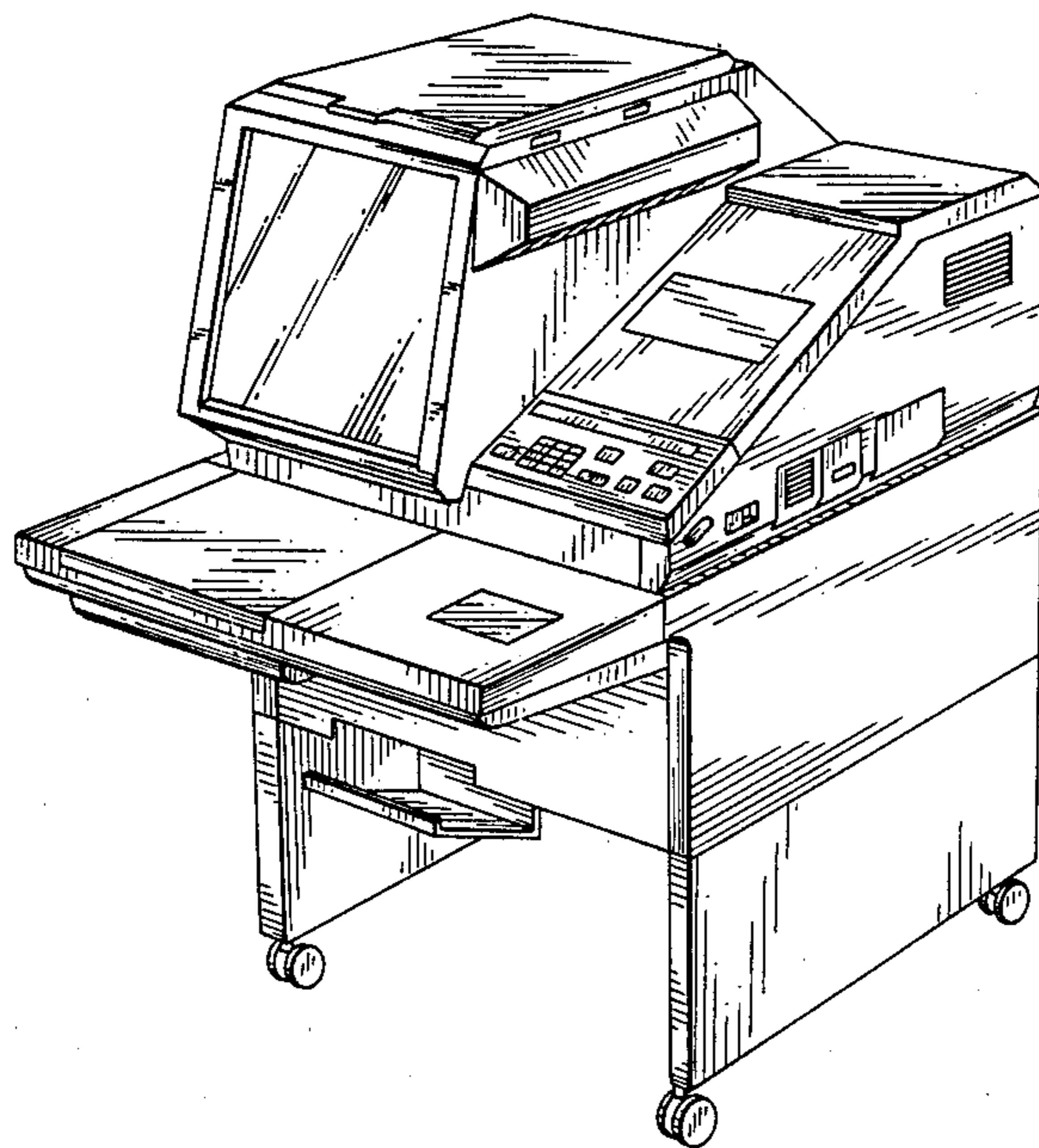
Primary Examiner—Nelson C. Holtje
Assistant Examiner—Caron D. Veynar
Attorney, Agent, or Firm—Young & Thompson

[57] CLAIM

The ornamental design for a microfilm camera with reader-printer, as shown.

DESCRIPTION

FIG. 1 is a perspective view of a microfilm camera reader-printer showing our new design; FIG. 2 is a front elevational view thereof; FIG. 3 is a left side elevational view thereof; FIG. 4 is a right side elevational view thereof; FIG. 5 is a top plan view thereof; and FIG. 6 is a rear elevational view thereof.



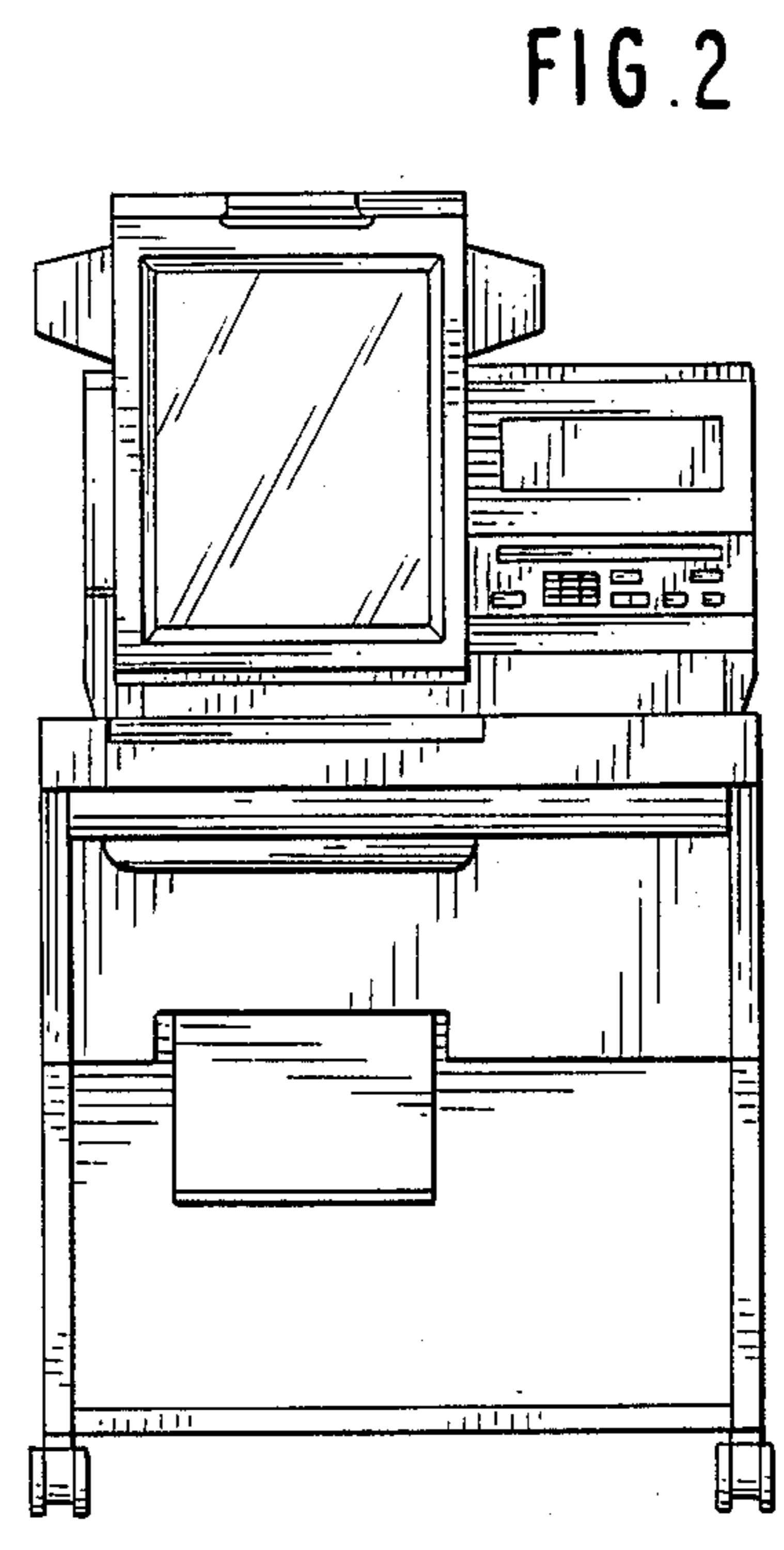
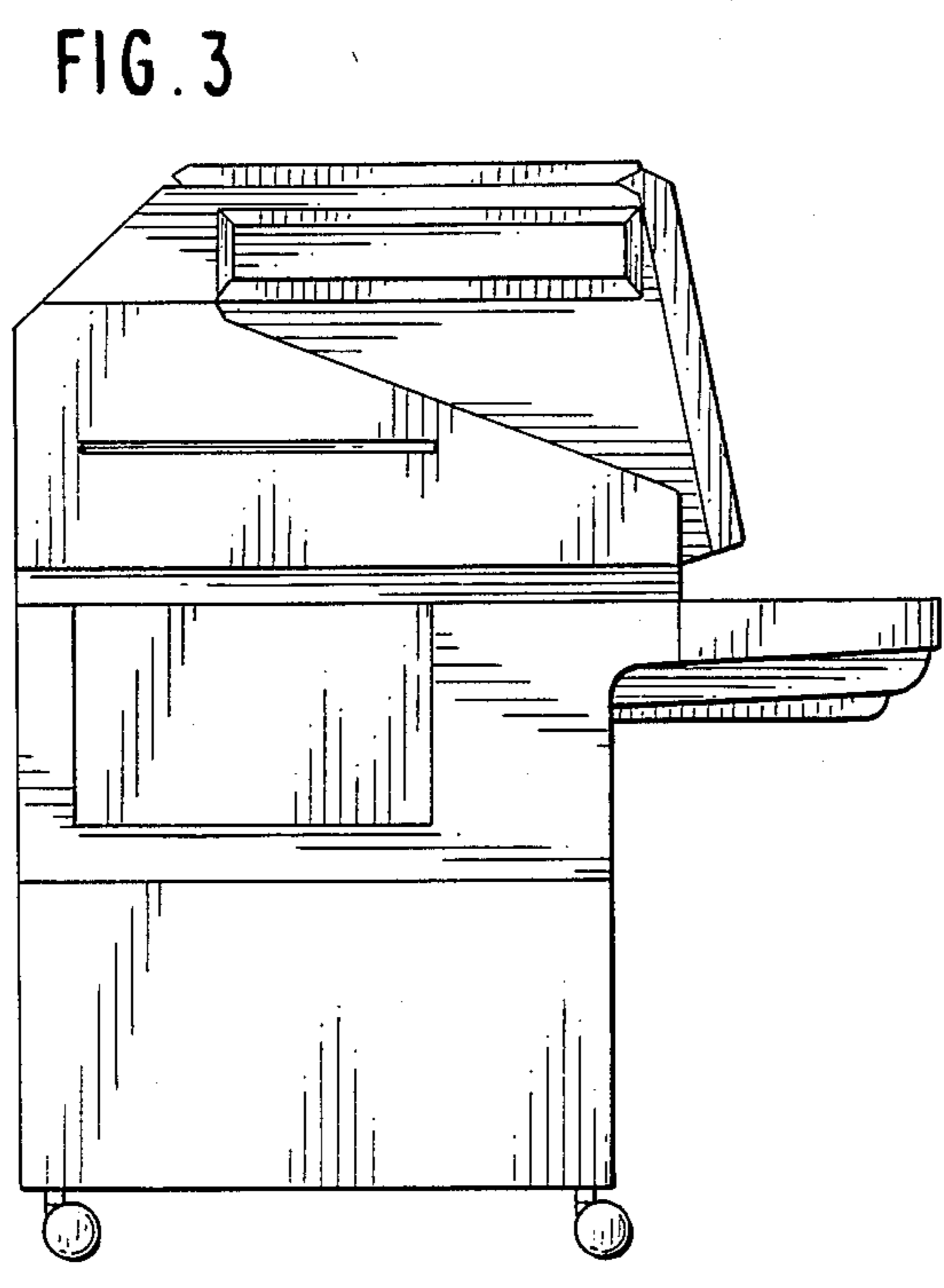
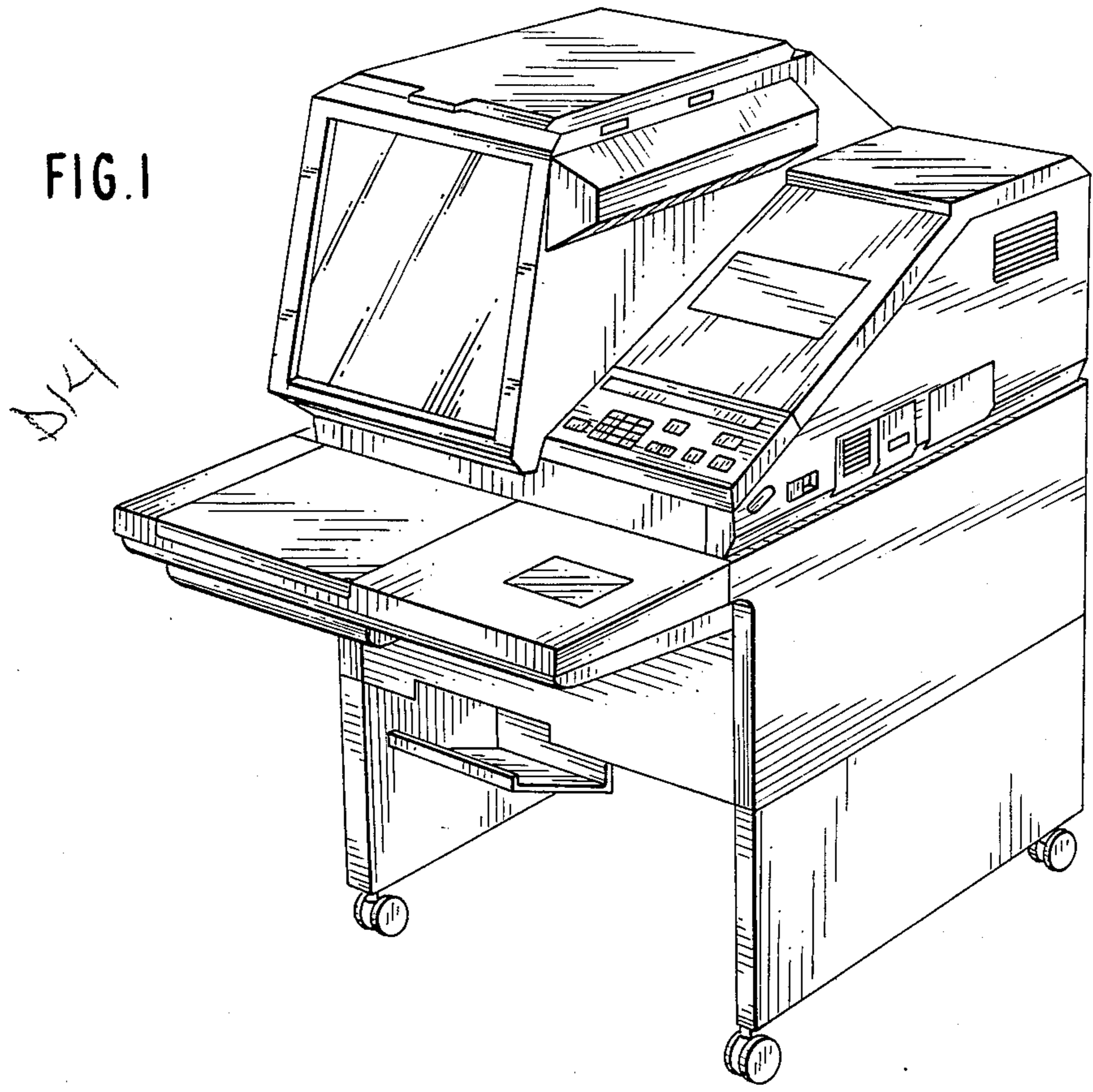


FIG. 4

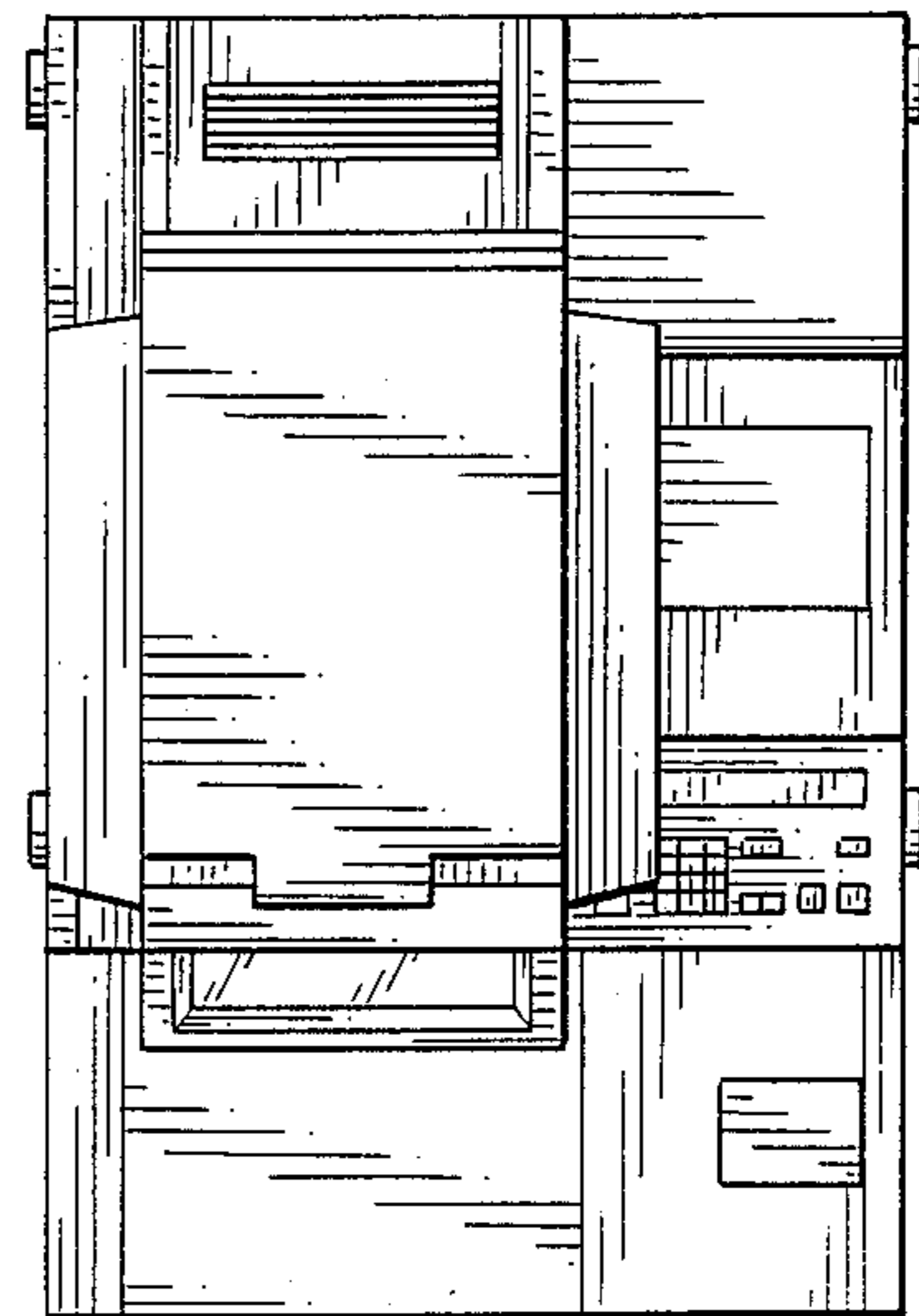
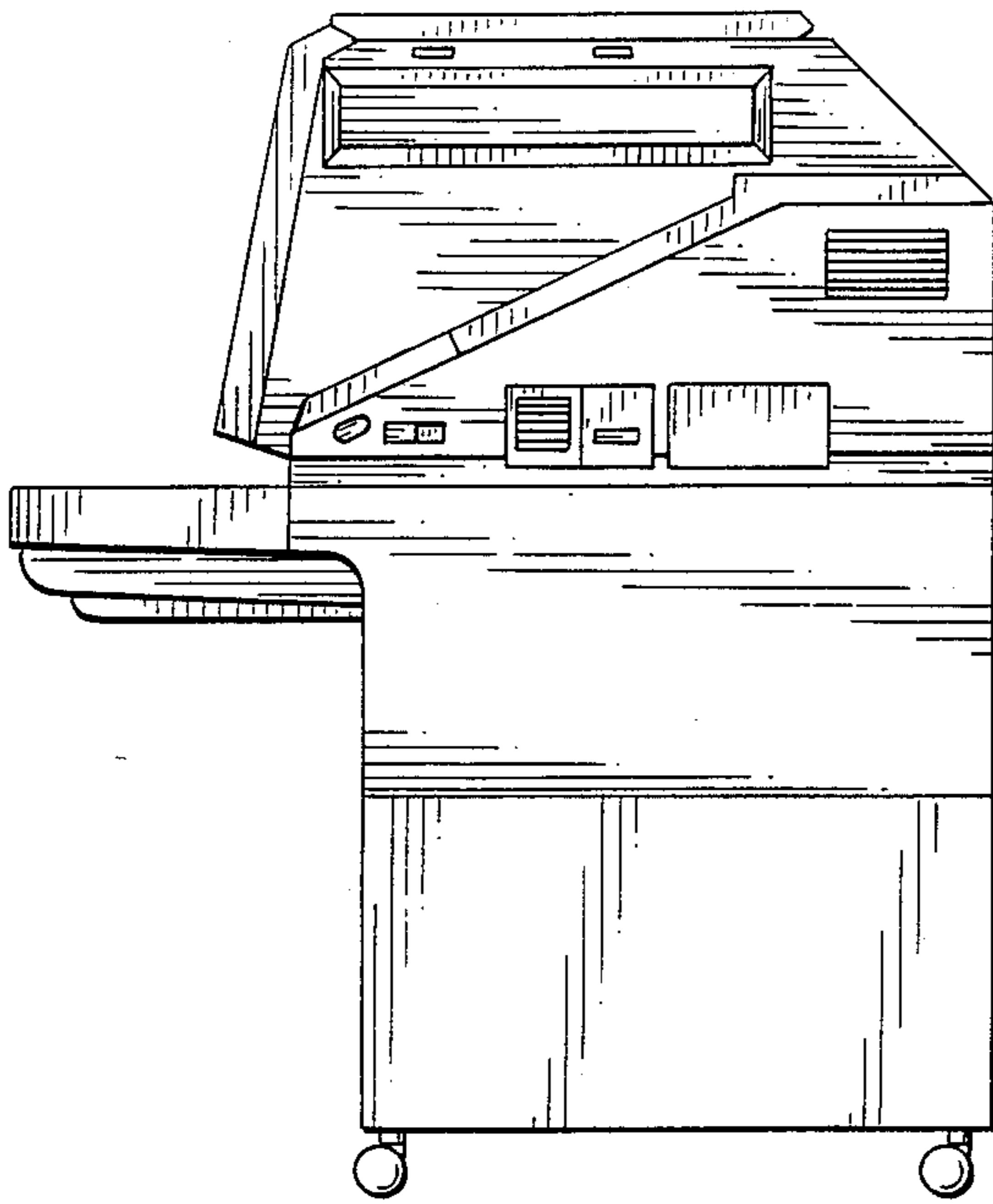


FIG. 5

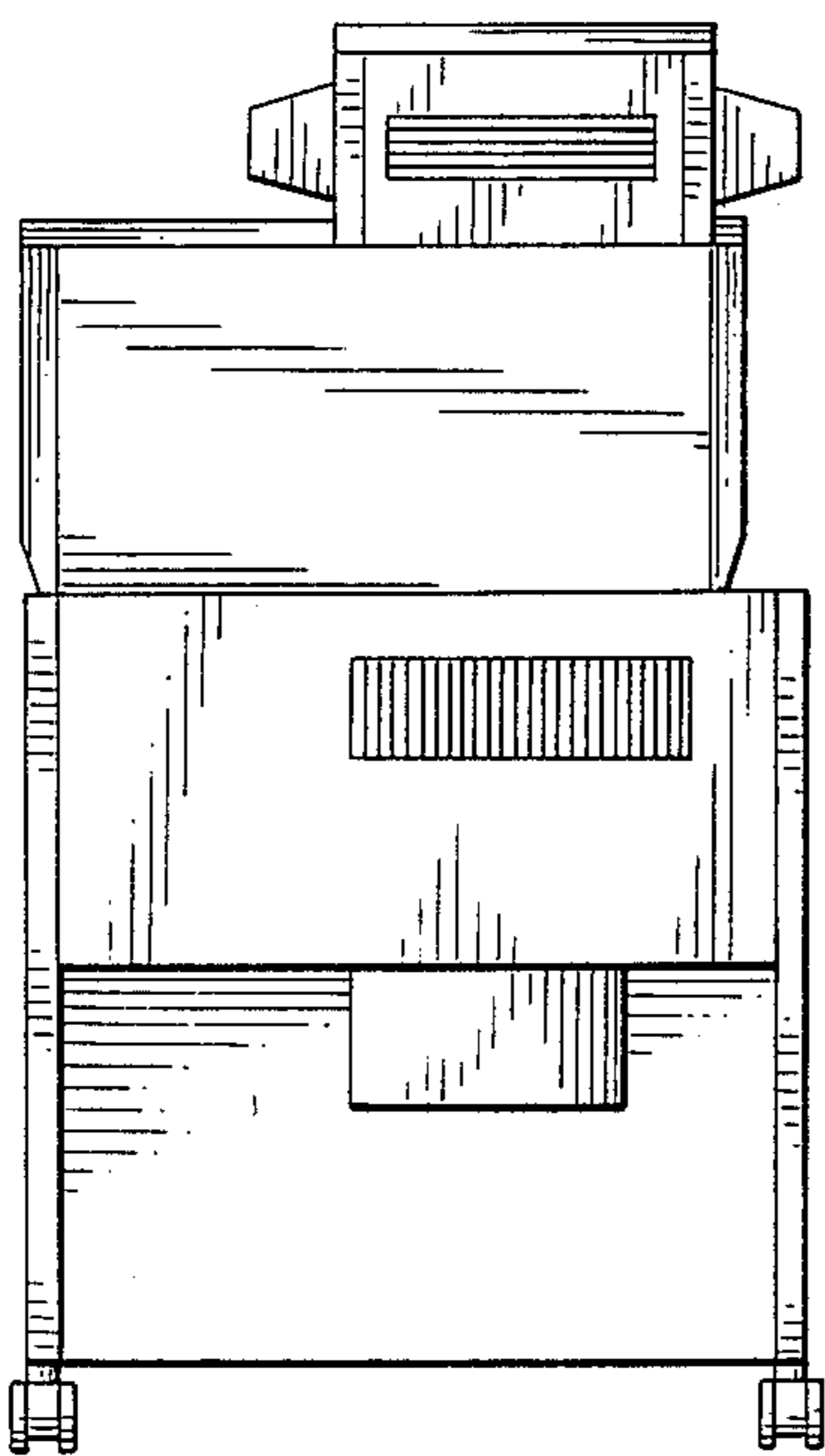


FIG. 6