

[54] DRIVING UNIT FOR AN ELECTRODE SHAPING DEVICE

[75] Inventors: Joachim S. Aronsson, Hönö ; Oskar W. Leander, Gothenburg; Erik R. Melin, Lerum, all of Sweden

[73] Assignee: Rotech Tooling AB, Gotenburg, Sweden

[**] Term: 14 Years

[21] Appl. No.: 53,672

[22] Filed: May 26, 1987

[30] Foreign Application Priority Data

Dec. 11, 1986 [SE] Sweden 86-2949
[52] U.S. Cl. D15/139
[58] Field of Search D15/139; D19/73; 144/28.6, 28.1; 30/451-454

[56] References Cited

U.S. PATENT DOCUMENTS

D. 101,532 6/1935 Holslag D15/122
D. 191,556 10/1961 Fleming et al. D19/73

D. 284,391 6/1986 Obenski D19/73 X
594,839 11/1897 Cornell 144/28.6
3,097,629 7/1963 Fleming et al. 30/454
3,515,187 6/1970 London 30/453

FOREIGN PATENT DOCUMENTS

220105 3/1910 Fed. Rep. of Germany 30/458

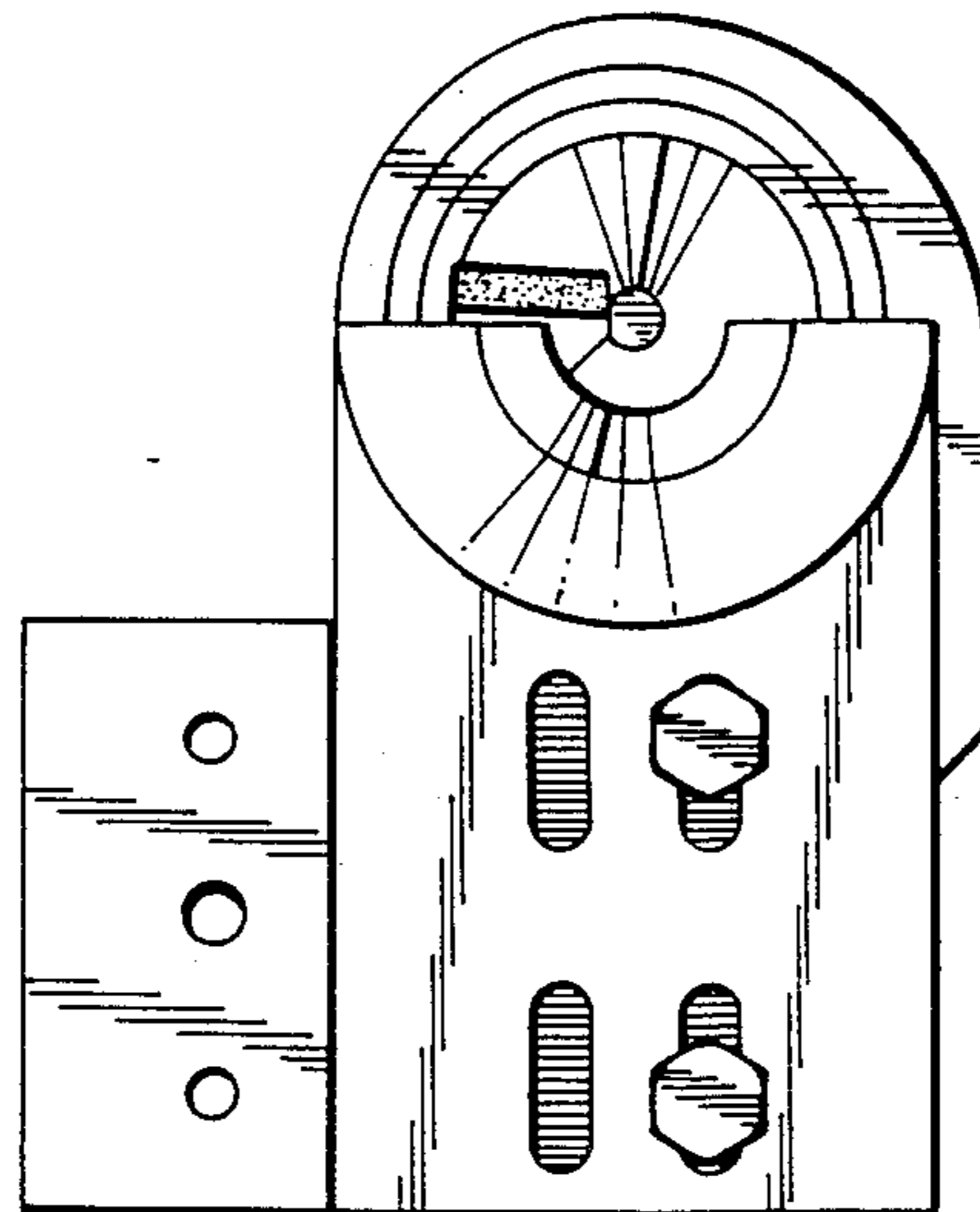
Primary Examiner—James R. Largen
Assistant Examiner—Jeffrey Asch
Attorney, Agent, or Firm—Young & Thompson

[57] CLAIM

The ornamental design for a driving unit for an electrode shaping device, as shown and described.

DESCRIPTION

FIG. 1 is a rear elevational view of a driving unit for an electrode shaping device showing our new design; FIG. 2 is a front elevational view; FIG. 3 is a right side elevational view; FIG. 4 is a left side elevational view; FIG. 5 is a top plan view; FIG. 6 is a bottom plan view; and, FIG. 7 is a rear perspective view thereof, the cutter has been omitted for convenience of illustration.



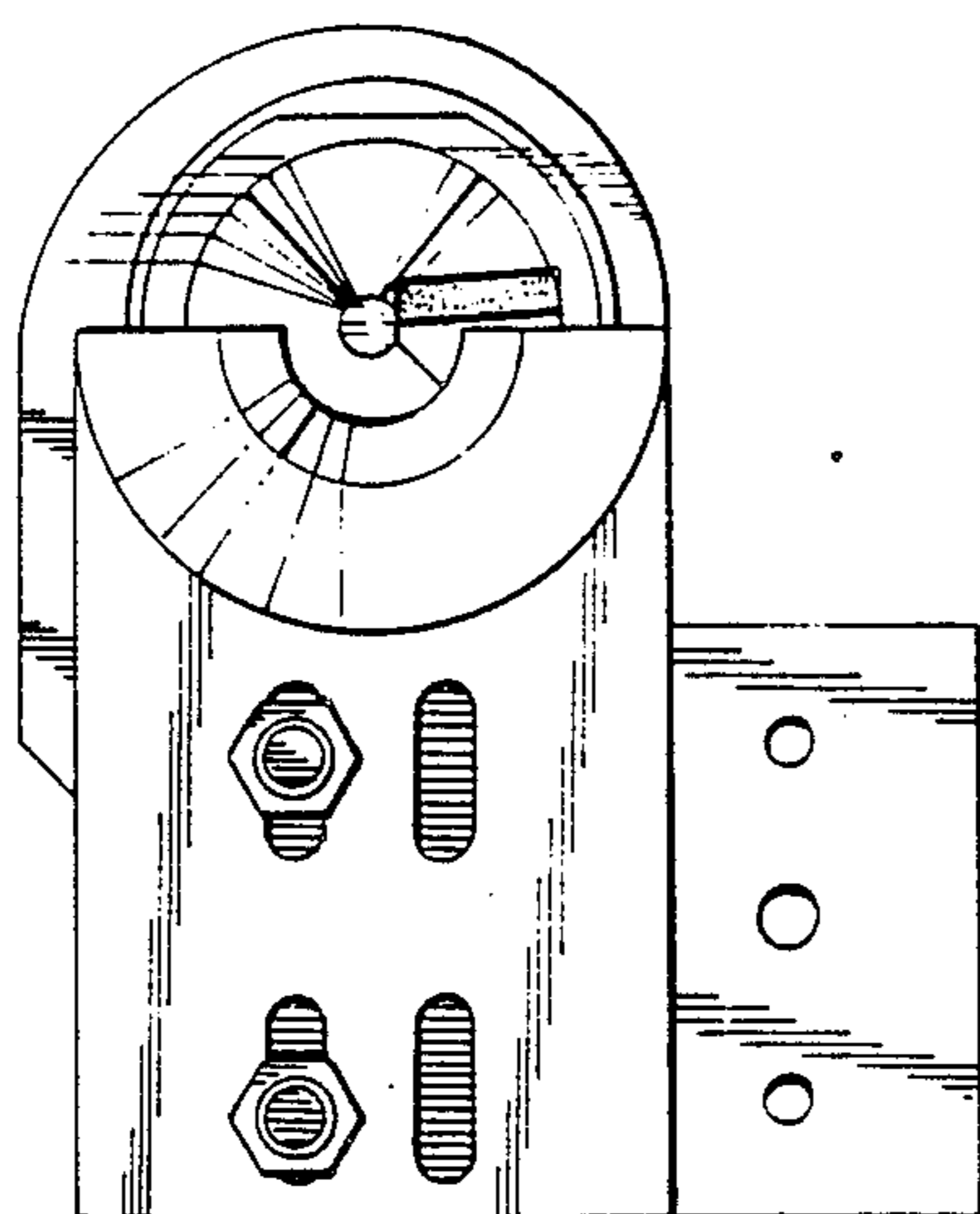


FIG. 1

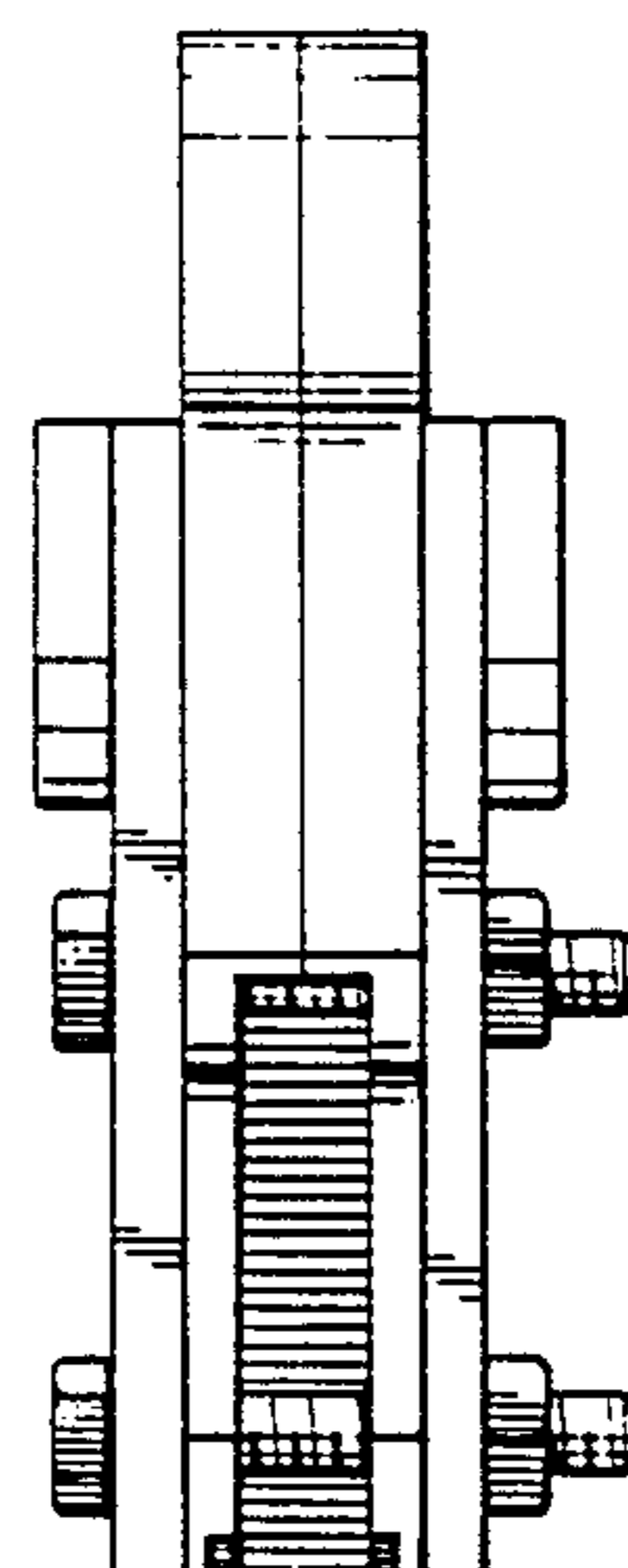


FIG. 3

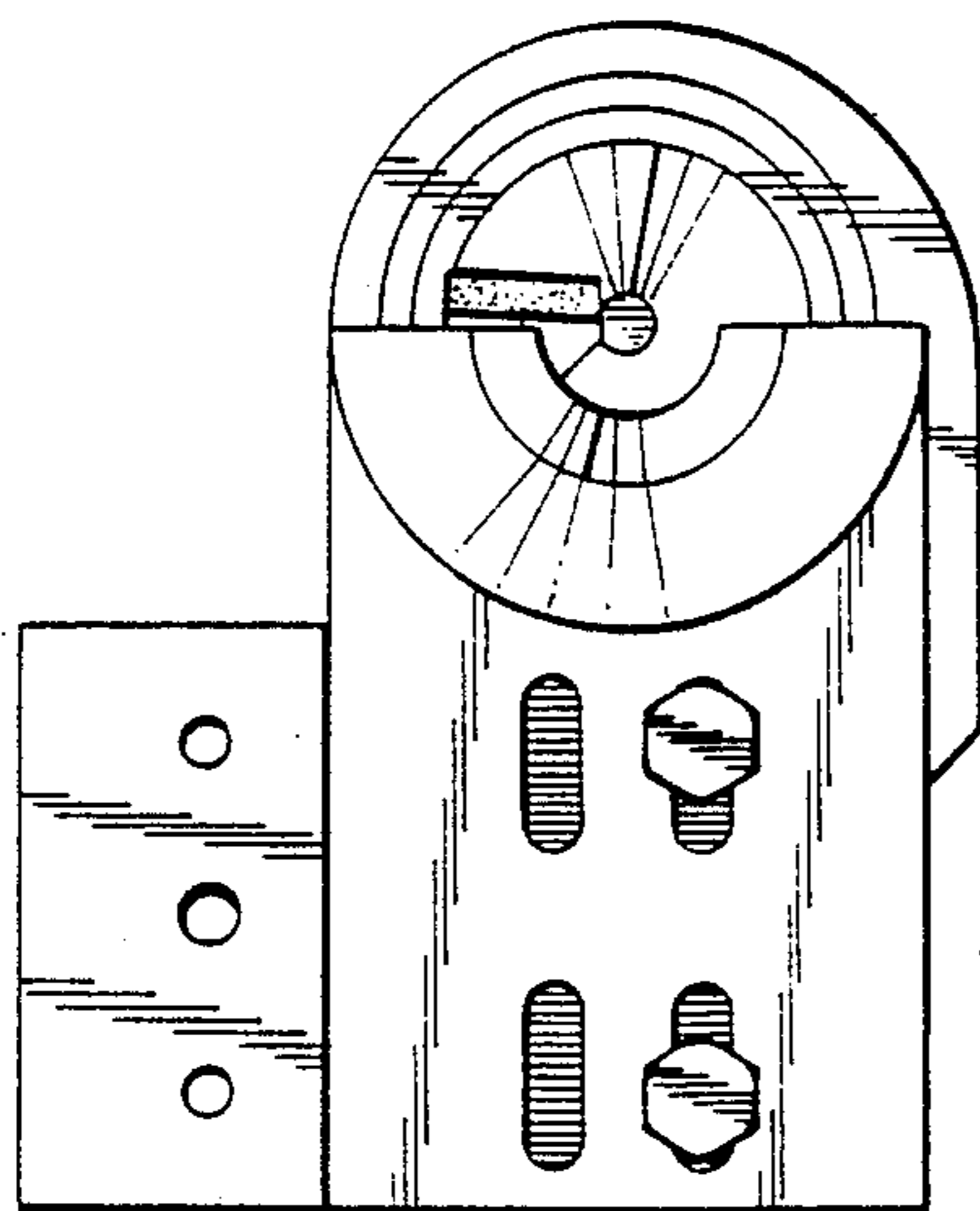


FIG. 2

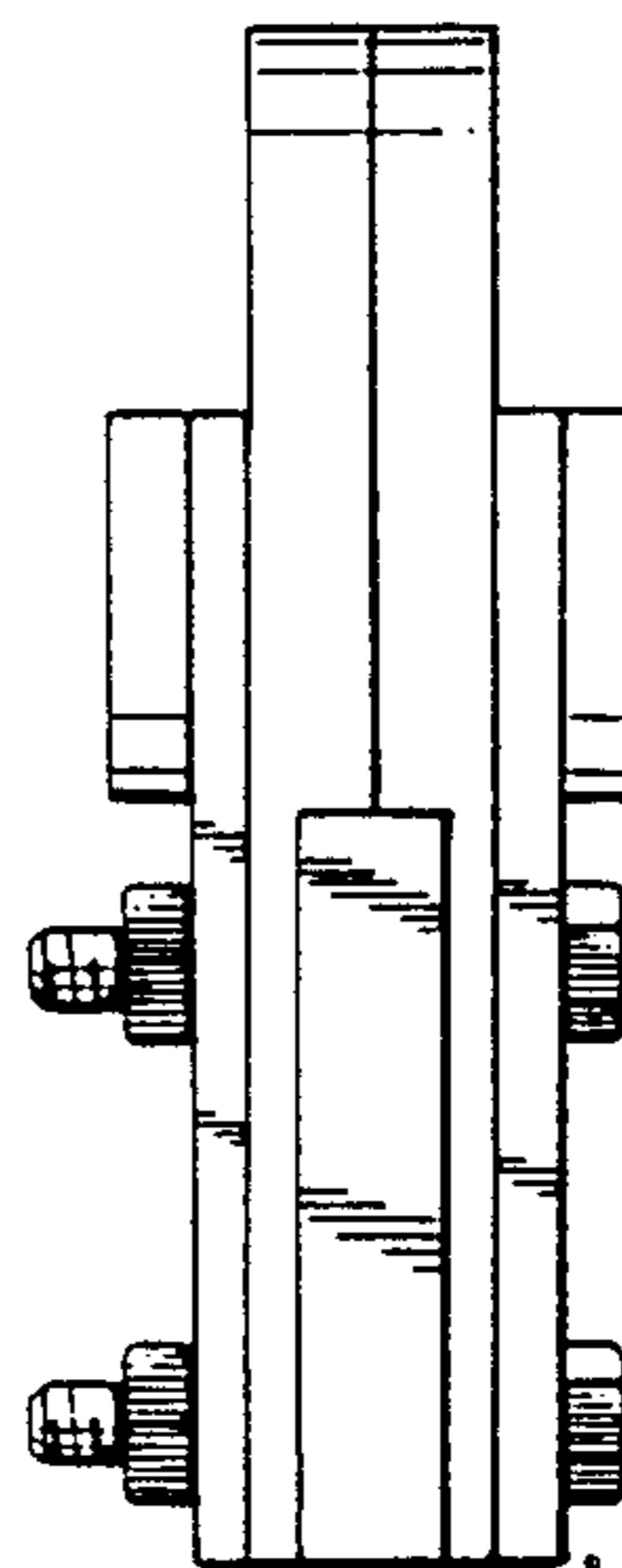


FIG. 4

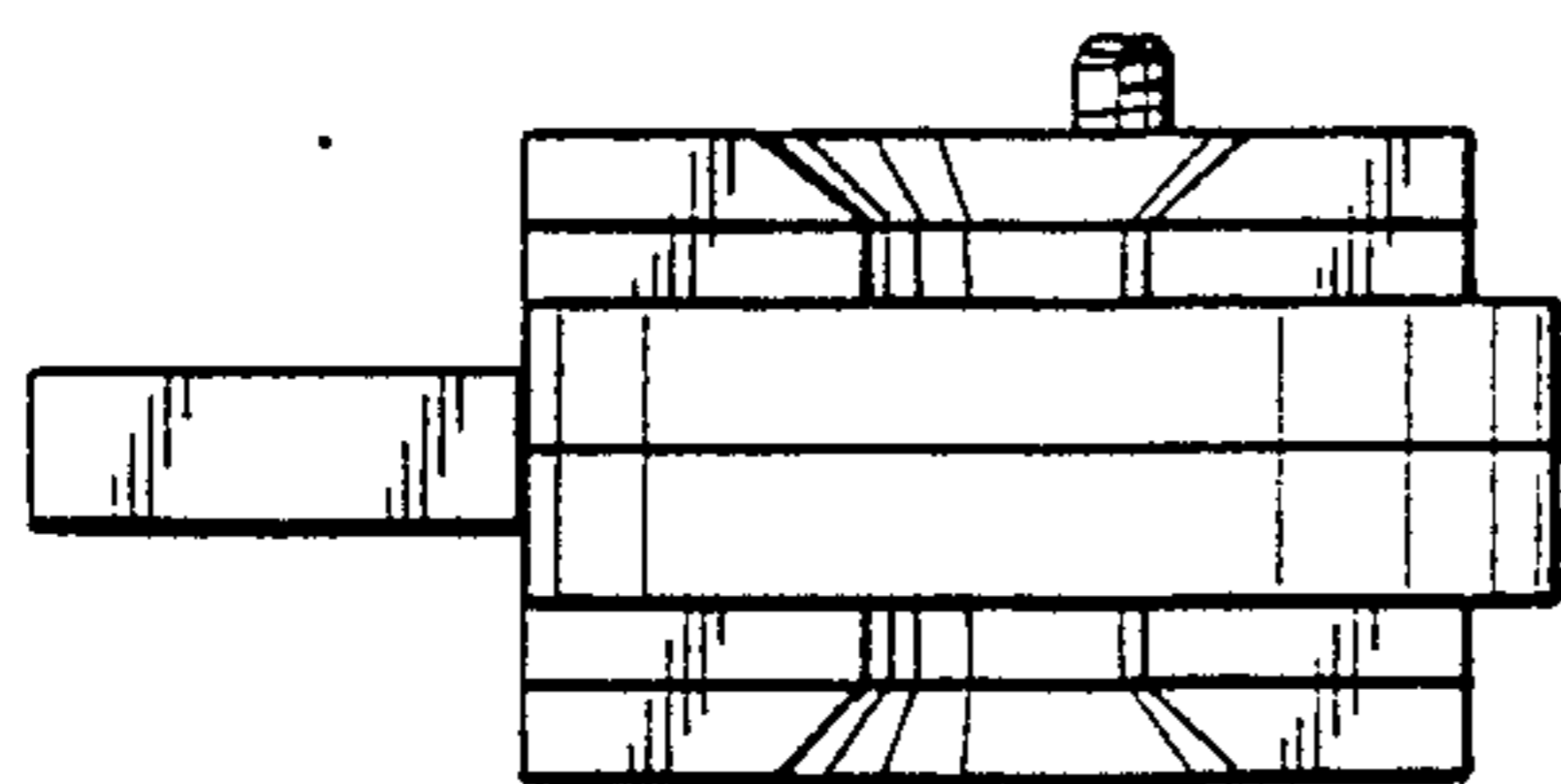


FIG. 5

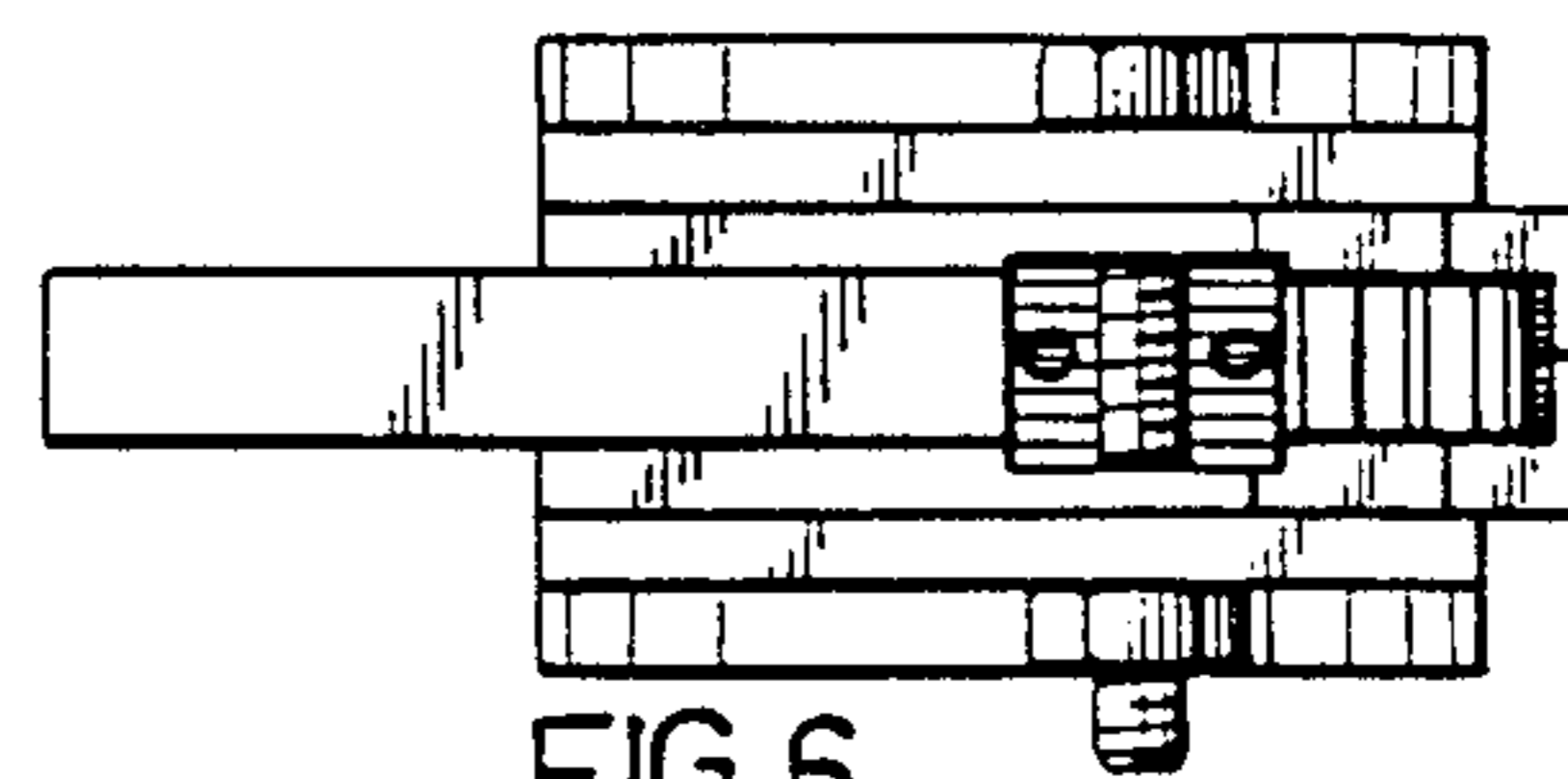


FIG. 6

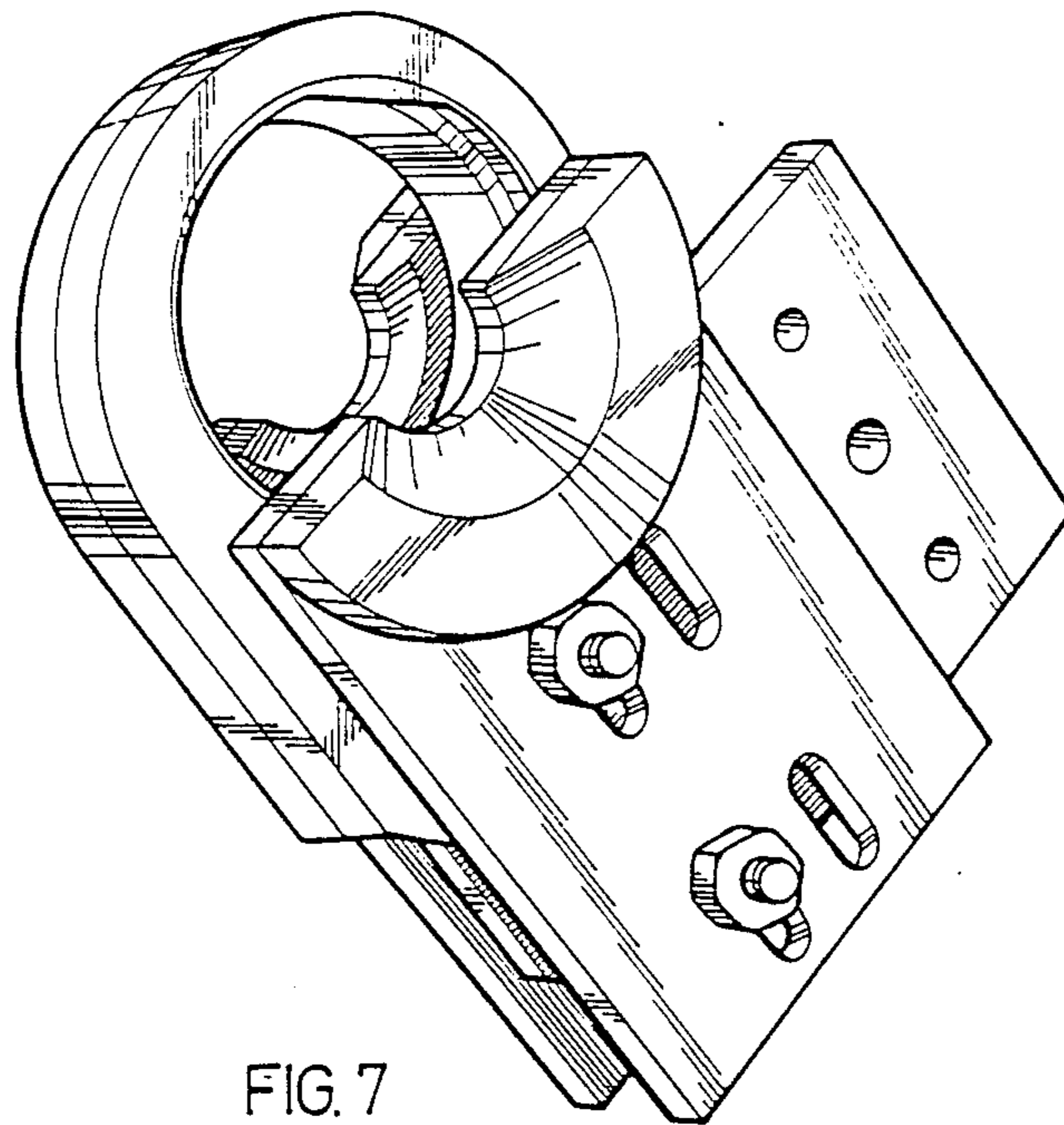


FIG. 7