

# United States Patent [19]

Kuroki

[11] Patent Number: **Des. 305,237**

[45] Date of Patent: **\*\* Dec. 26, 1989**

[54] **SEWING MACHINE**

[75] Inventor: **Nobufusa Kuroki, Machida, Japan**

[73] Assignee: **Janome Sewing Machine Co., Ltd., Tokyo, Japan**

[\*\*] Term: **14 Years**

[21] Appl. No.: **903,113**

[22] Filed: **Sep. 2, 1986**

[52] U.S. Cl. .... **D15/69**

[58] Field of Search ..... **D15/66, 68-76; 112/63, 258-261**

[56] **References Cited**

### U.S. PATENT DOCUMENTS

D. 249,947 10/1978 Gegauf ..... D15/68  
D. 288,207 2/1987 Kuroki et al. .... D15/70  
D. 291,088 7/1987 Hanyu ..... D15/69

D. 291,999 9/1987 Yoneda ..... D15/69  
4,314,517 2/1982 Kasahara et al. .... 112/260

*Primary Examiner*—James R. Largen  
*Assistant Examiner*—Ruth Takemoto  
*Attorney, Agent, or Firm*—Michael J. Striker

[57] **CLAIM**

The ornamental design for a sewing machine, as shown and described.

### DESCRIPTION

FIG. 1 is a front elevational view of a sewing machine showing my new design;  
FIG. 2 is a rear elevational view thereof;  
FIG. 3 is a left side elevational view thereof;  
FIG. 4 is a right side elevational view thereof;  
FIG. 5 is a top plan view thereof;  
FIG. 6 is a bottom plan view thereof; and  
FIG. 7 is a perspective view thereof.

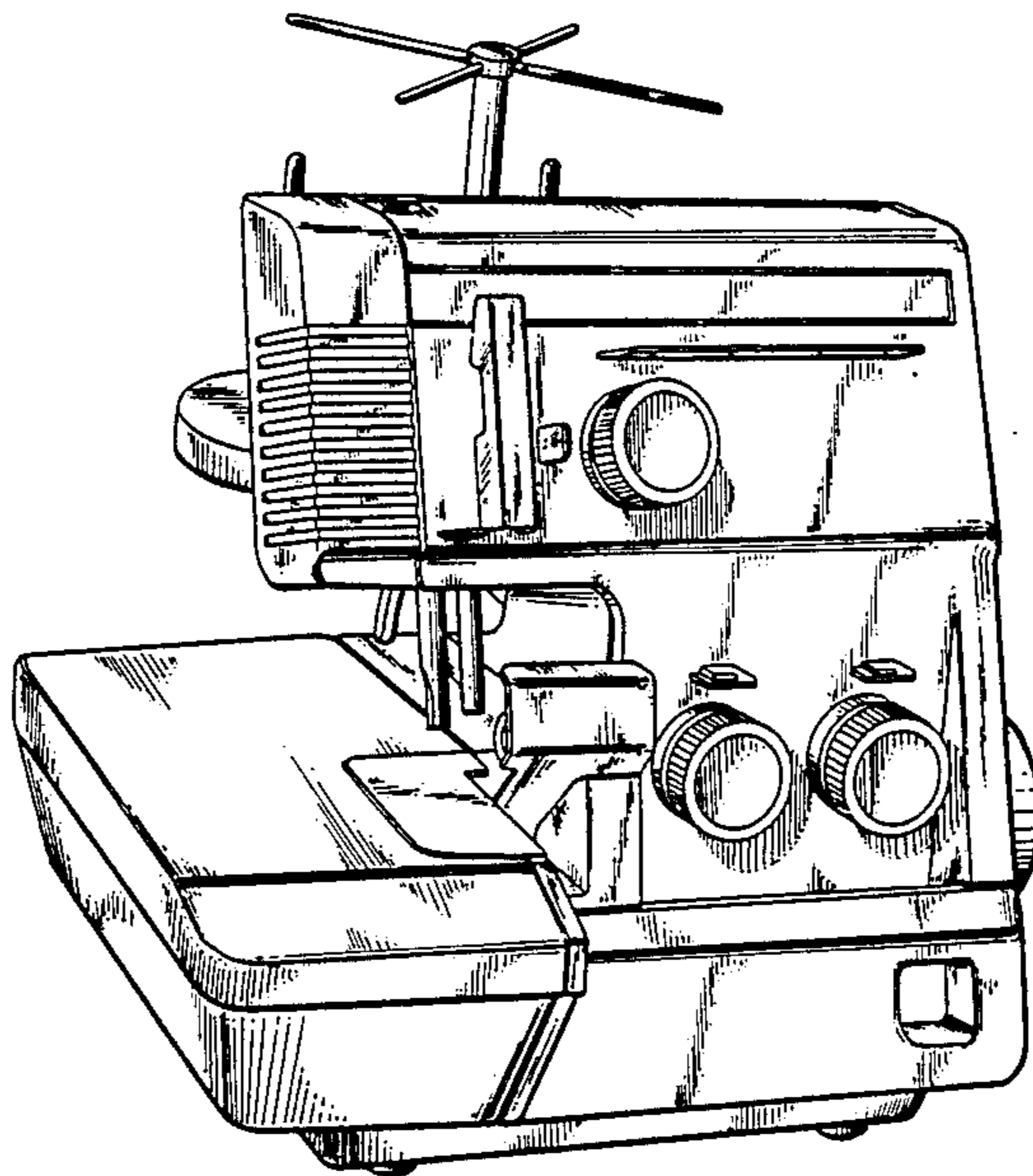


FIG. 1

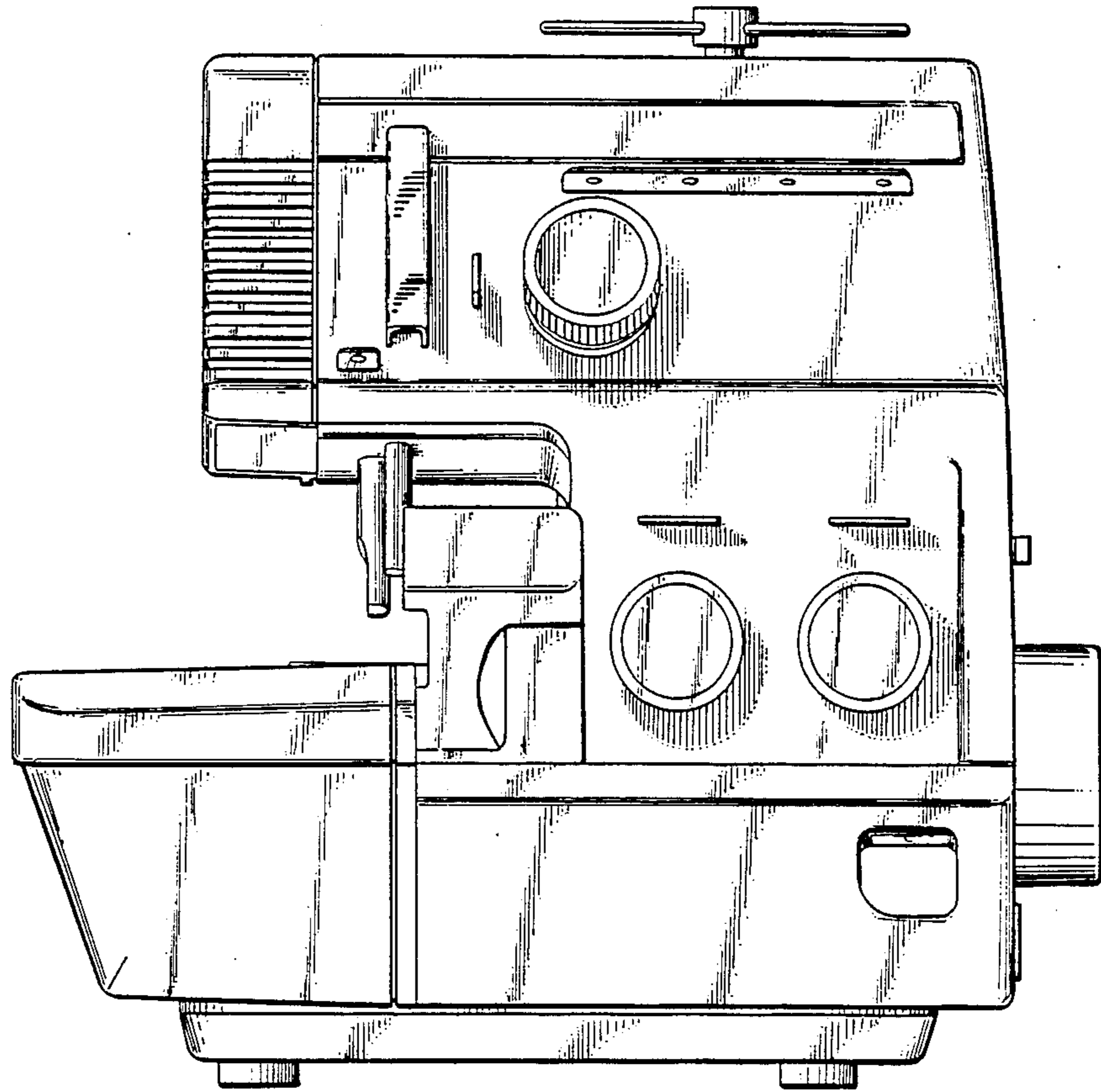
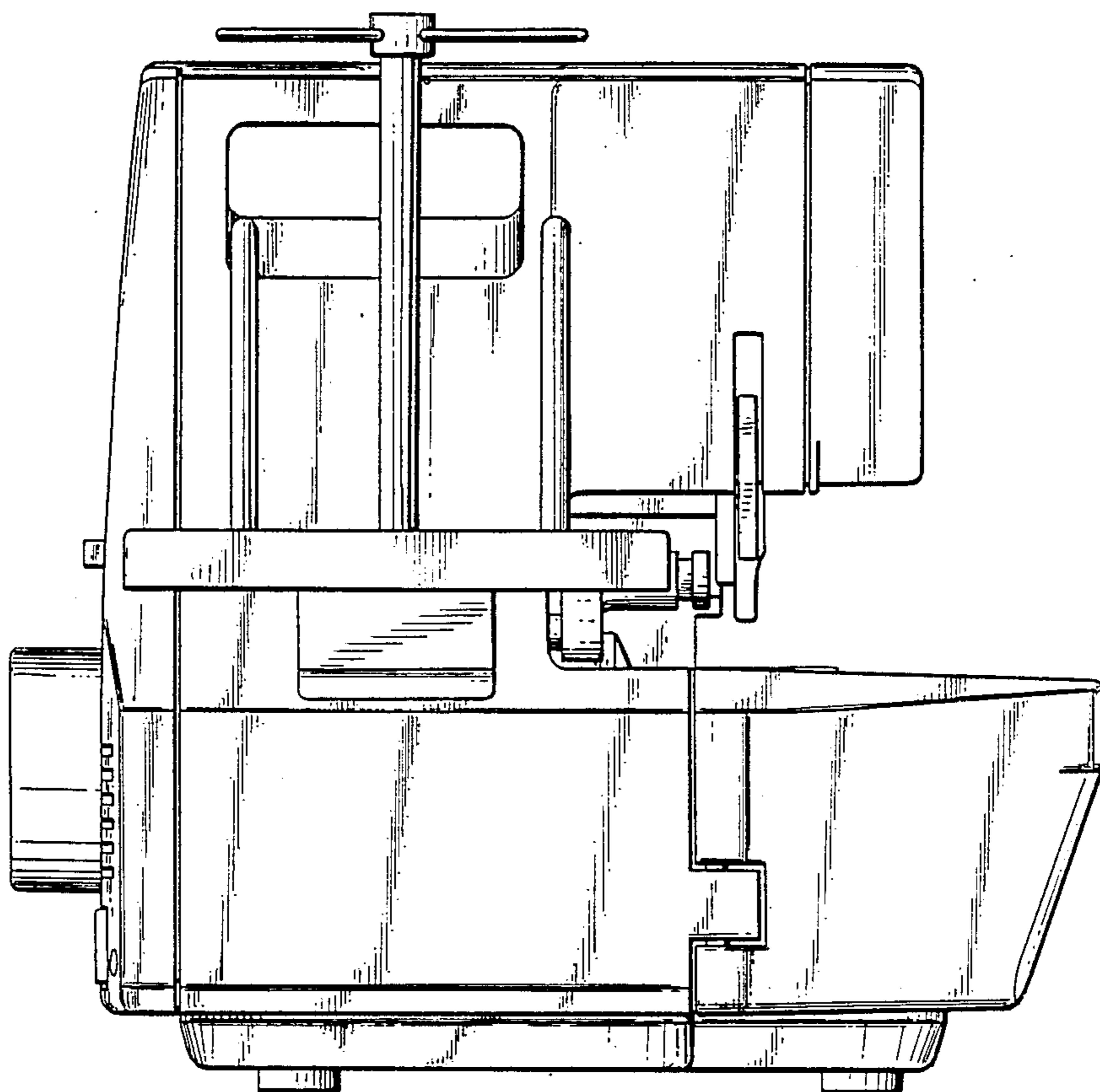
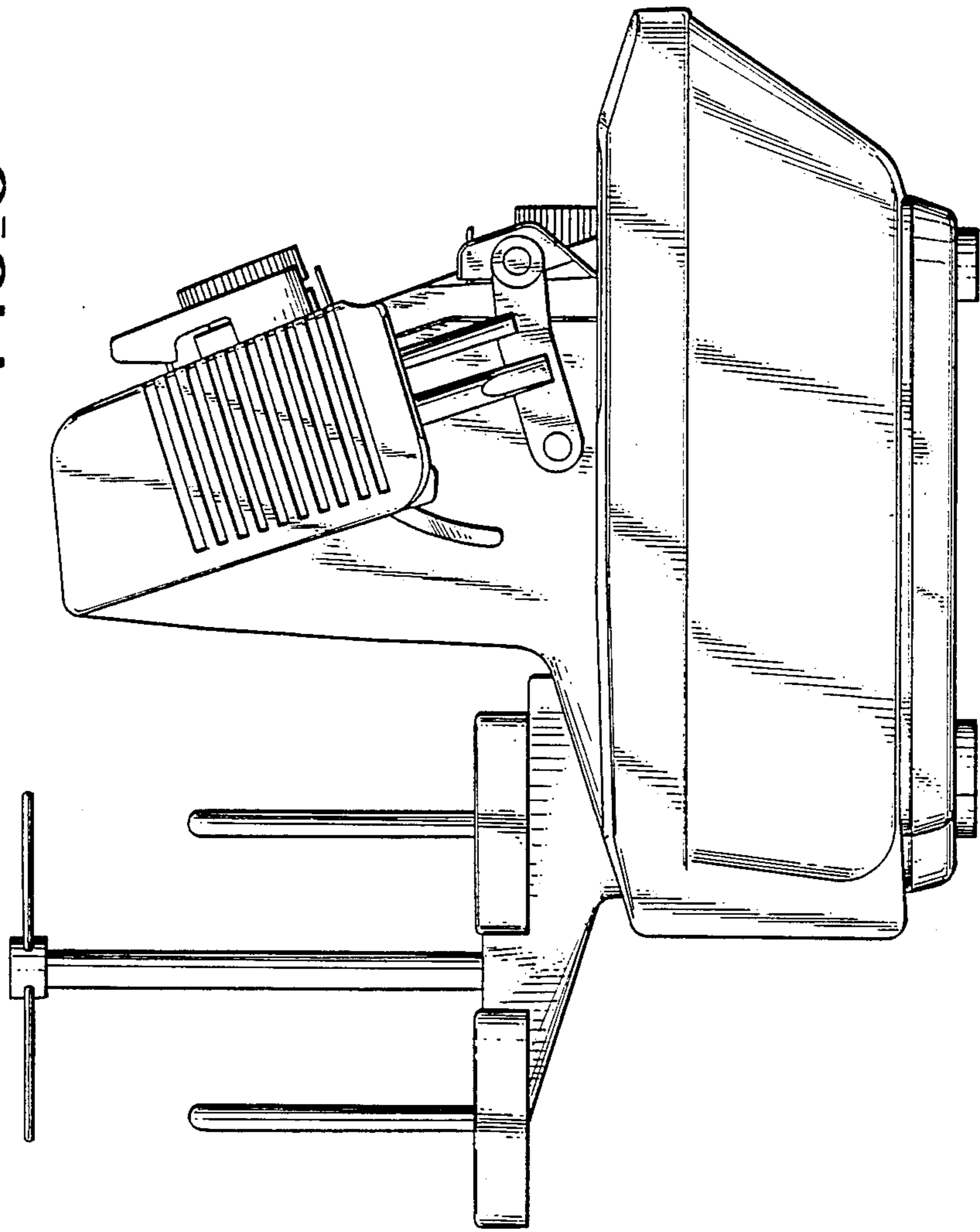


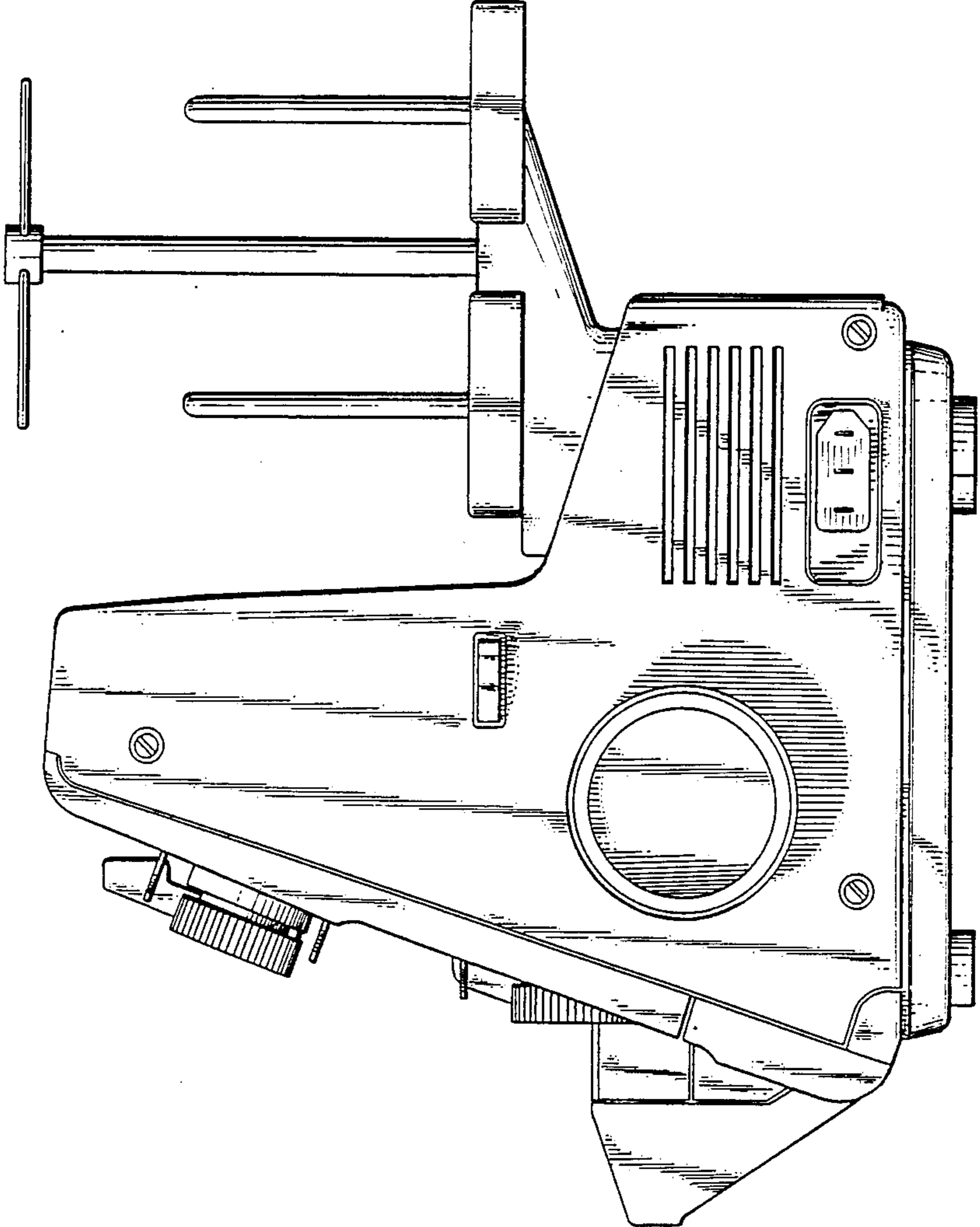
FIG. 2



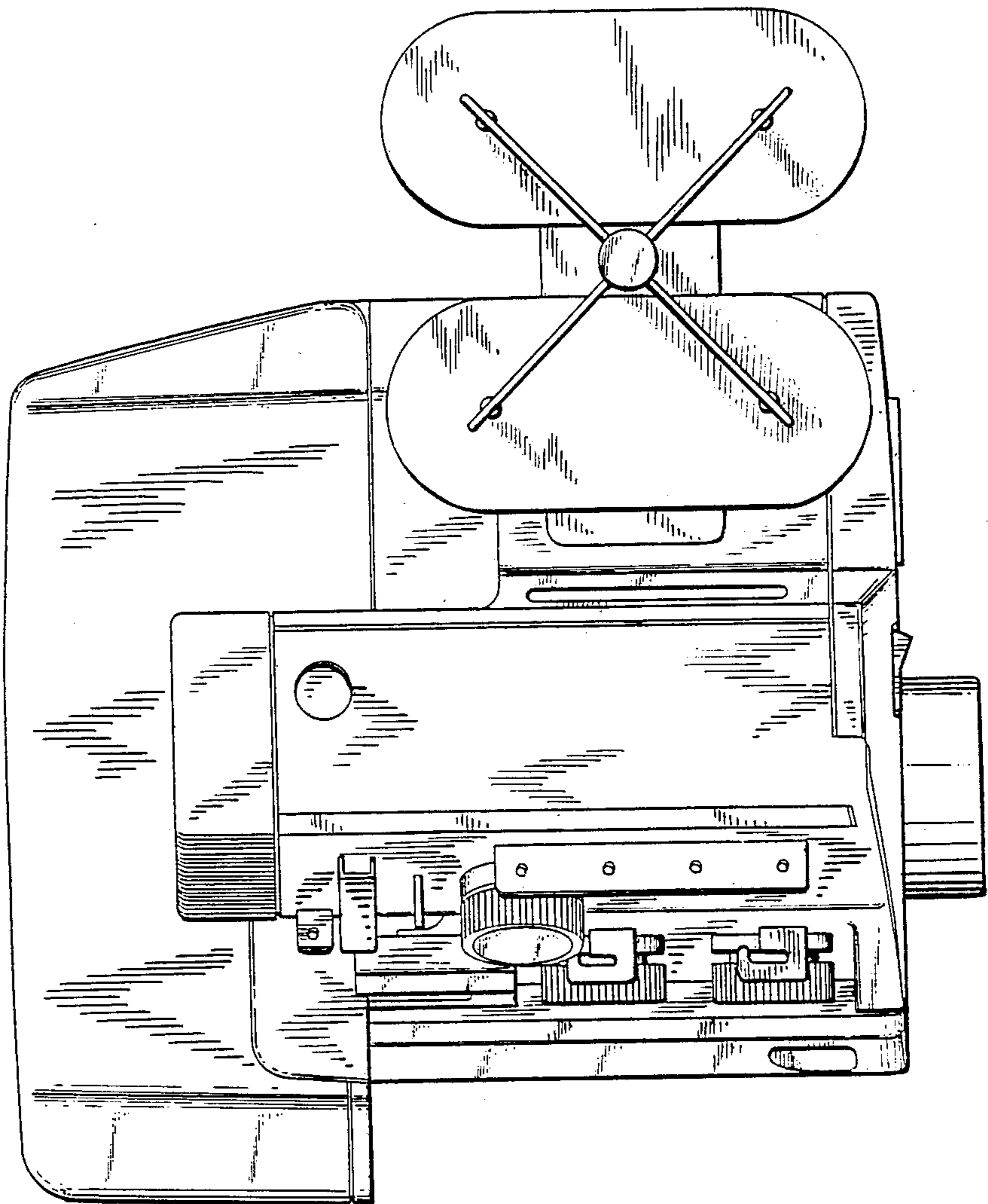
FIG\_3



FIG\_4



FIG\_5



FIG\_6

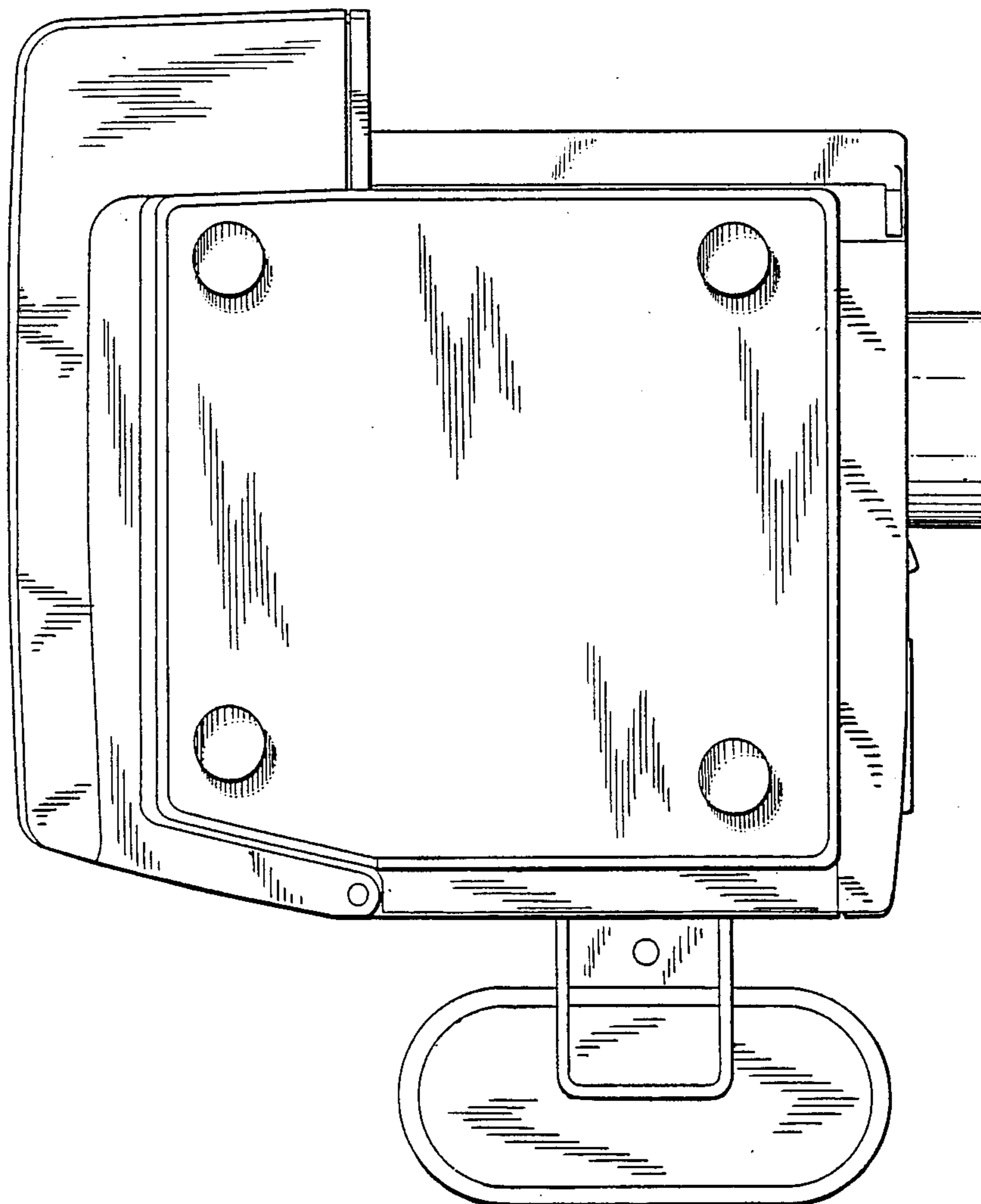


FIG. 7

