

[54] AGRICULTURAL TRACTOR

[75] Inventors: Genichi Funabashi, Sennan; Tetsuaki Hayashi, Osaka, both of Japan

[73] Assignee: Kubota, Ltd., Osaka, Japan

[\*\*] Term: 14 Years

[21] Appl. No.: 12,222

[22] Filed: Feb. 9, 1987

[52] U.S. Cl. .... D15/23

[58] Field of Search ..... D15/10, 15, 23, 25, D15/30-33; 56/13.3, 13.4, DIG. 22, 244, 249, 255-257, 264

[56] References Cited

U.S. PATENT DOCUMENTS

- D. 297,239 8/1988 Funabashi et al. .... D15/23
- D. 297,538 9/1988 Ogasawara et al. .... D15/15
- D. 298,433 11/1988 Mikado et al. .... D15/23

OTHER PUBLICATIONS

W. W. Grainger, Inc., spring 1974, p. 306, "Riding Lawn Tractors".

Primary Examiner—Bruce W. Dunkins

Assistant Examiner—Ruth Takemoto

Attorney, Agent, or Firm—Jordan and Hamburg

[57] CLAIM

The ornamental design of an agricultural tractor, as shown and described.

DESCRIPTION

FIG. 1 is a left side elevational view of an agricultural tractor showing our new design;  
 FIG. 2 is a right side elevational view thereof;  
 FIG. 3 is a top plan view thereof;  
 FIG. 4 is a front elevational view thereof;  
 FIG. 5 is a rear elevational view thereof; and  
 FIG. 6 is a perspective view thereof.

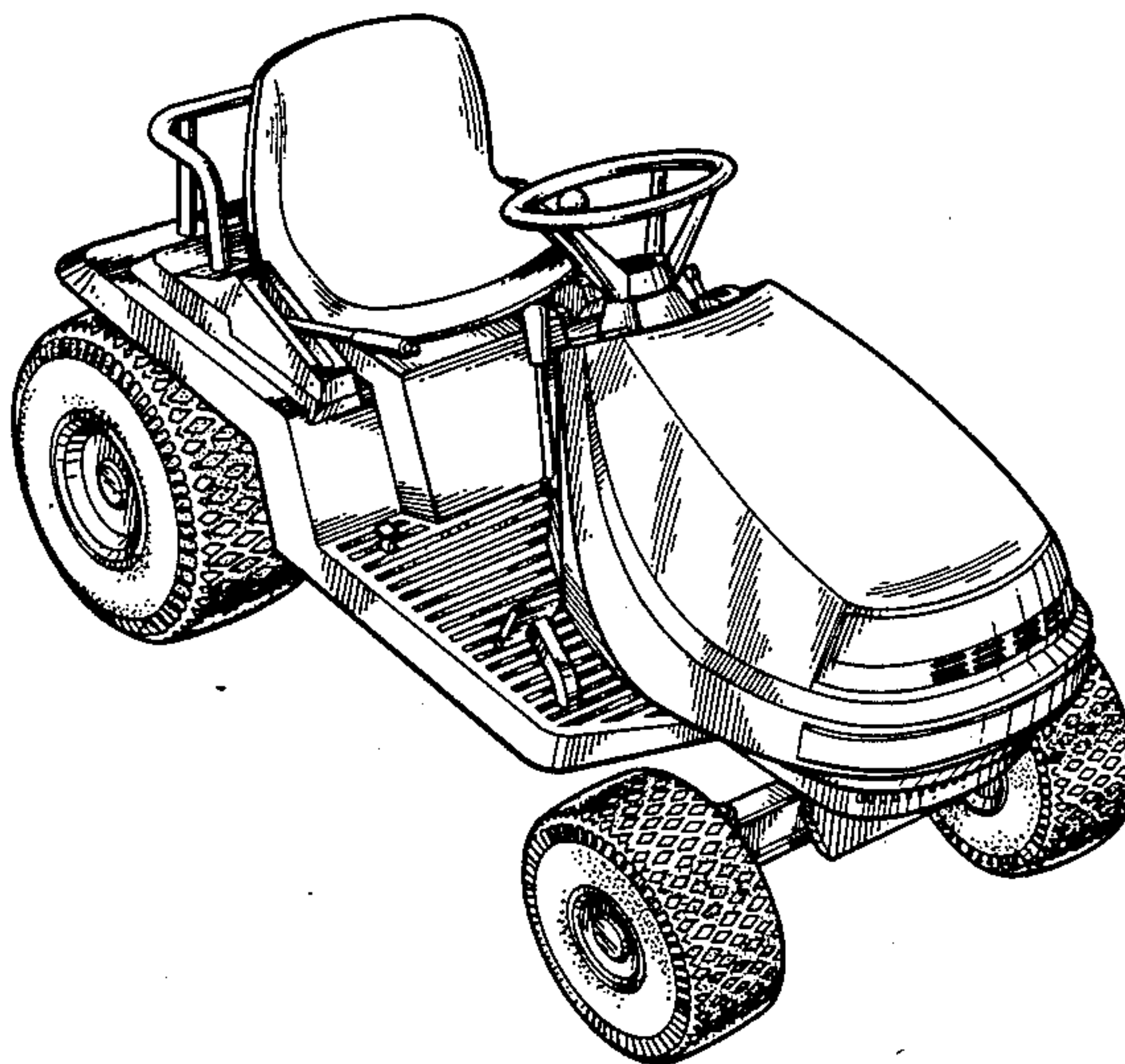
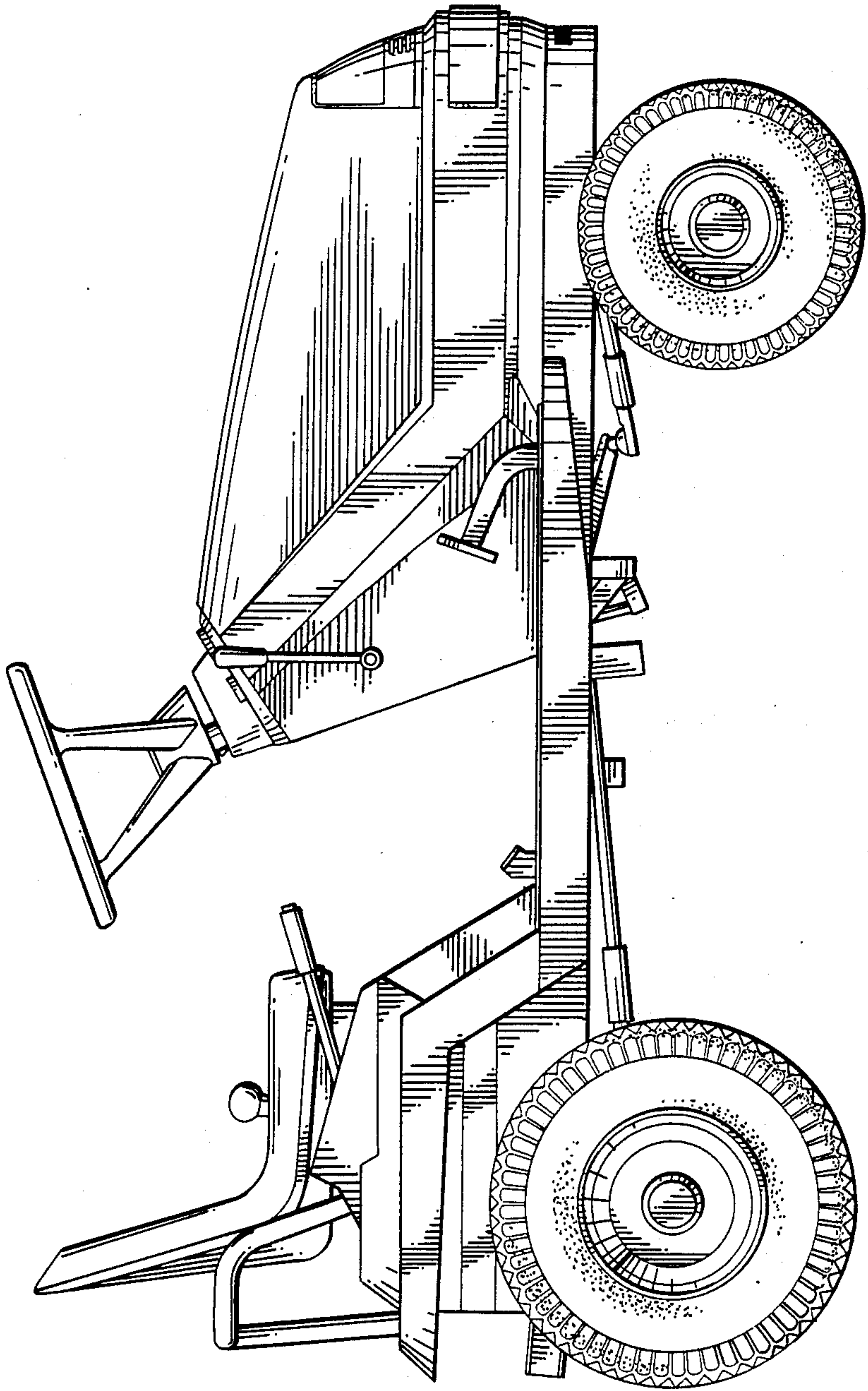


Fig. 1



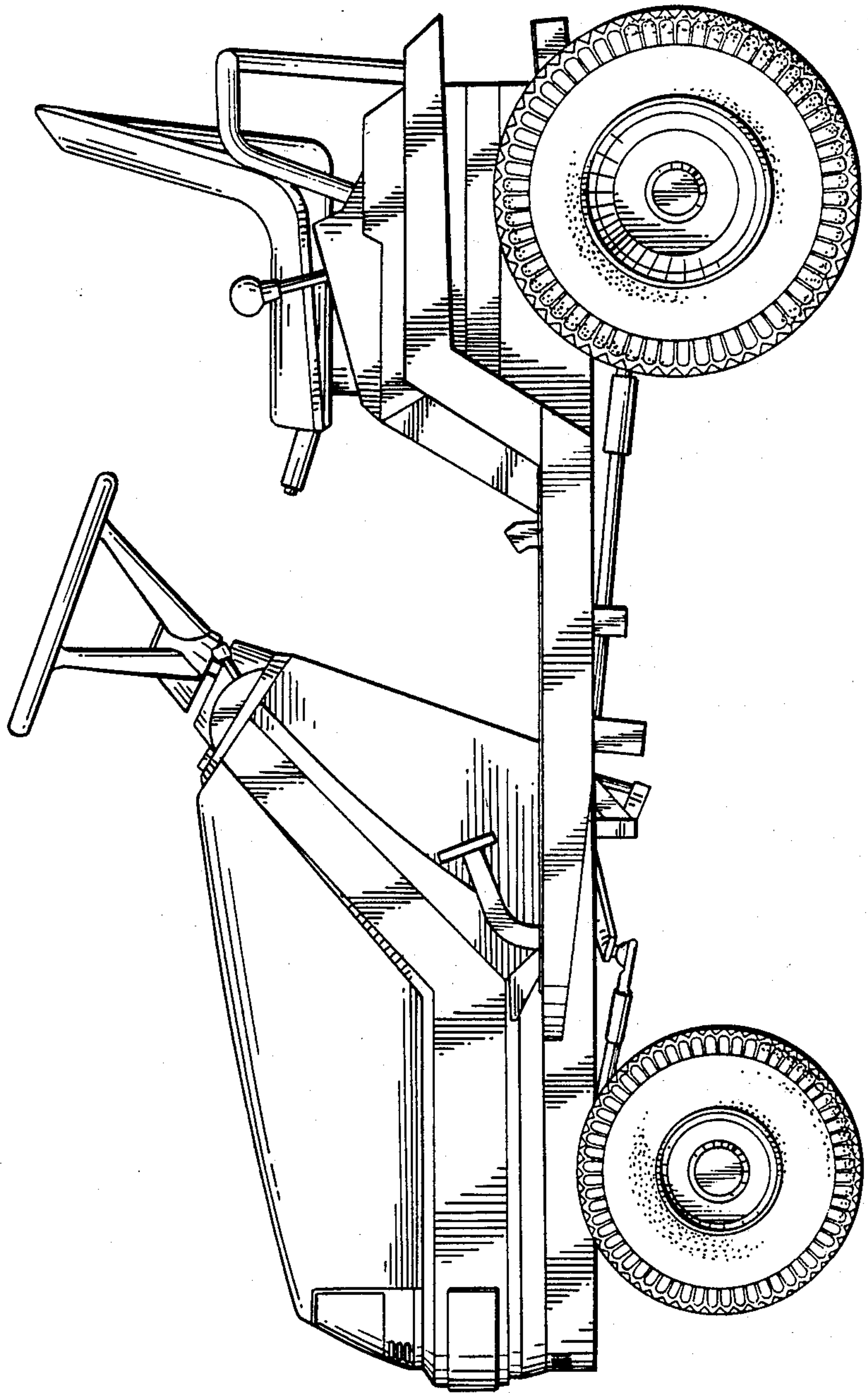


Fig.2



Fig.3

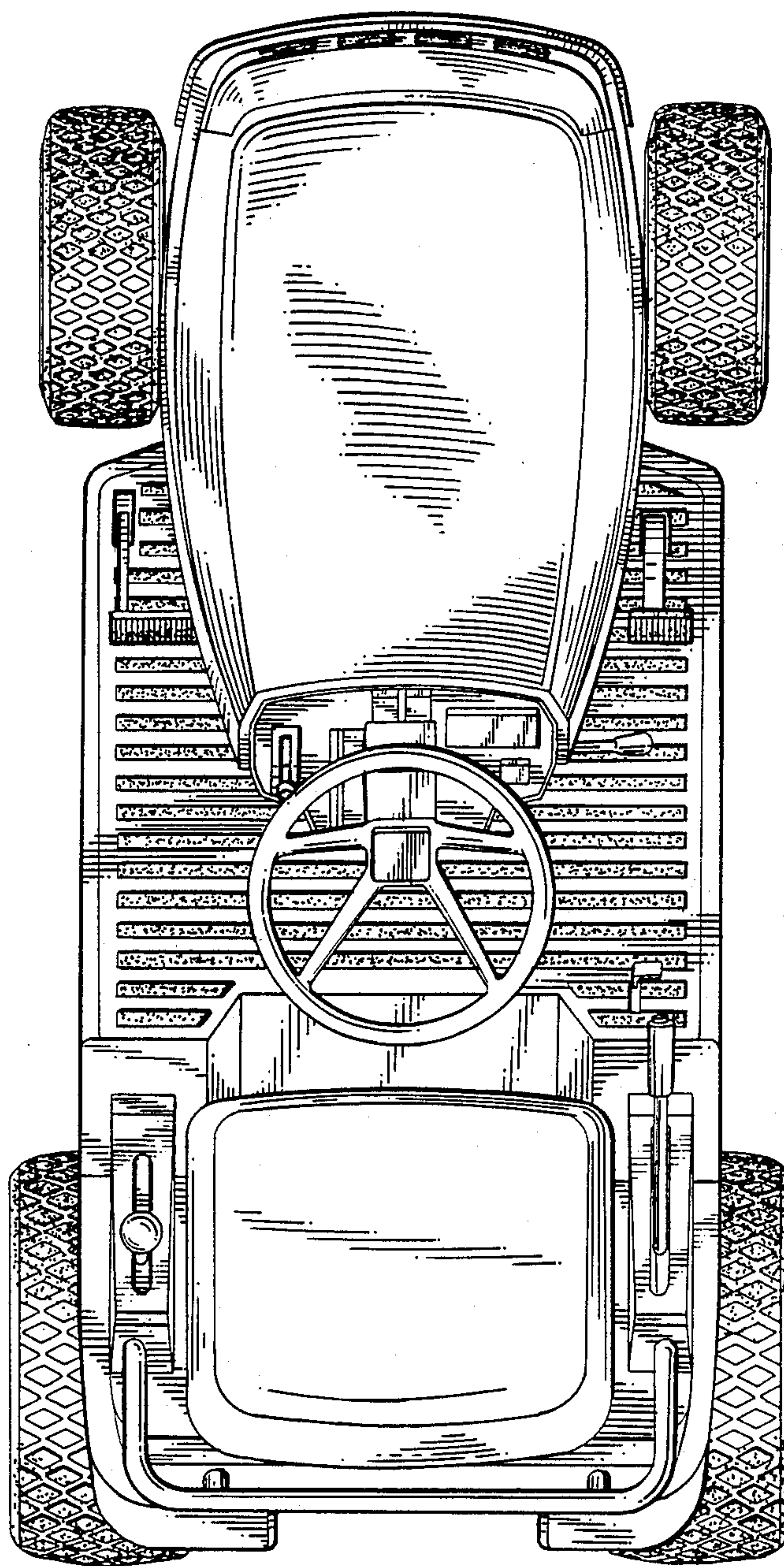


Fig. 4

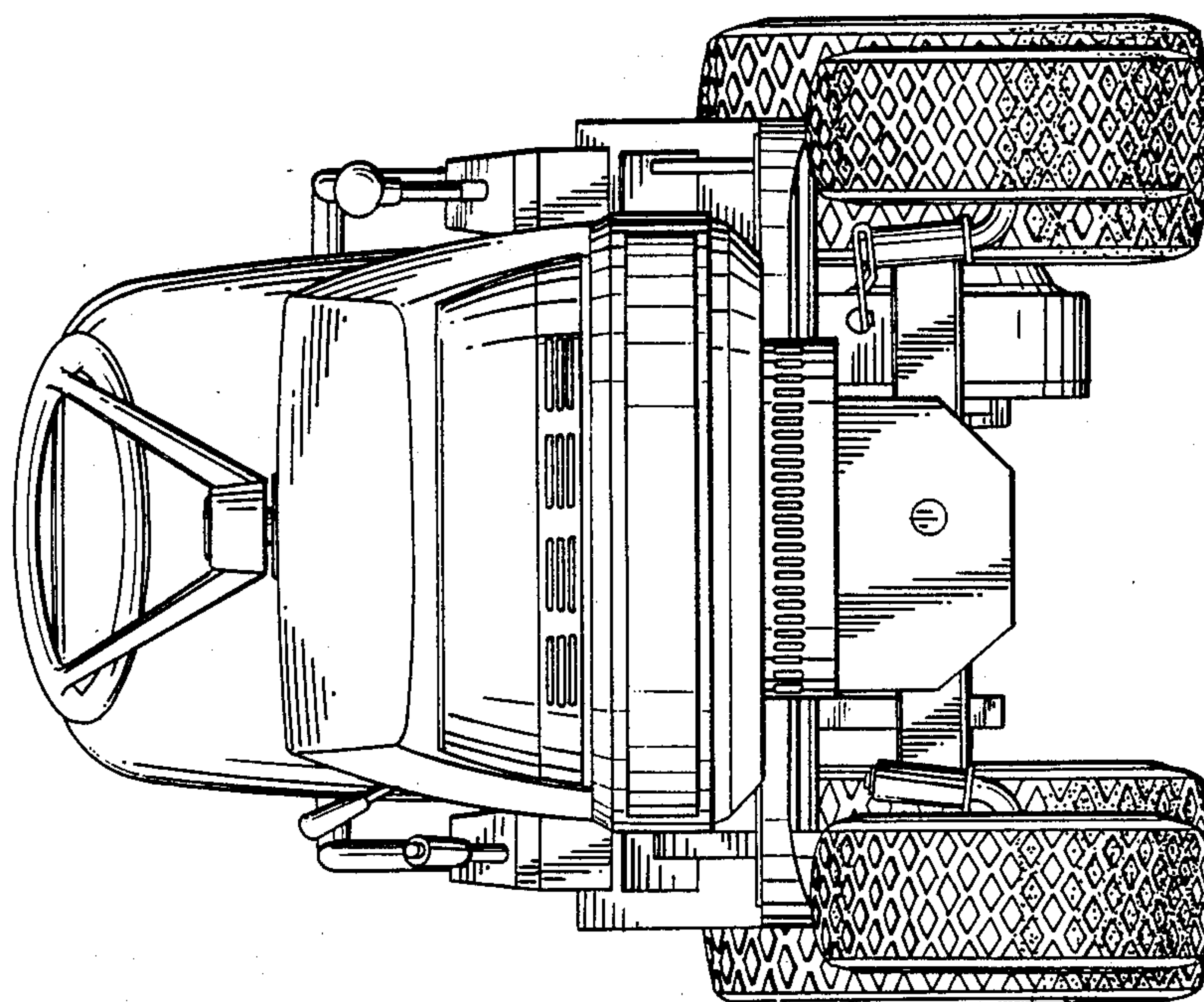


Fig. 5

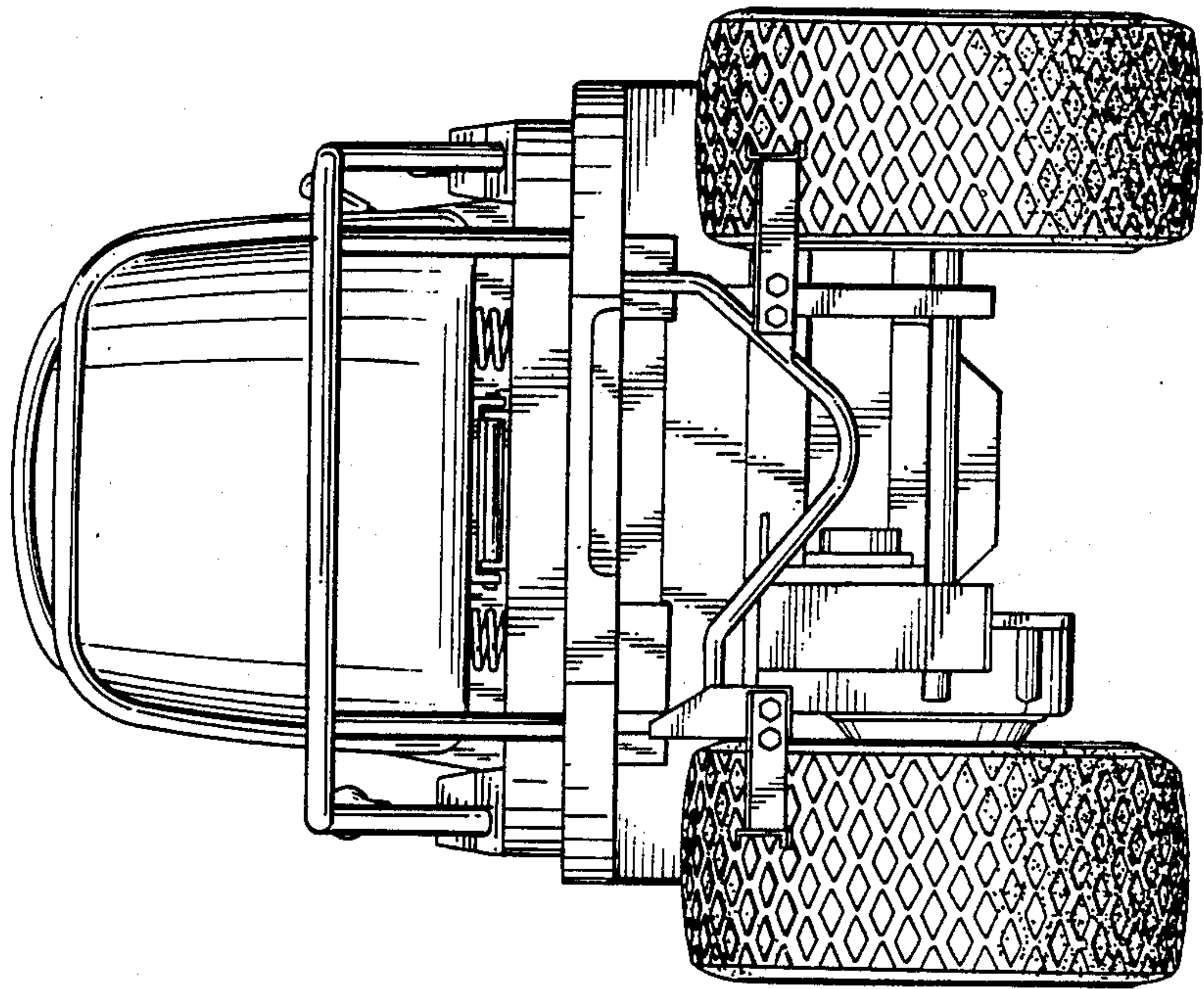




Fig. 6

