

[54] TELEPHONE RECEIVER CUSHION

[76] Inventor: Don M. Moore, N. Rte. 48, Morrisonville, Ill. 62546

[**] Term: 14 Years

[21] Appl. No.: 61,256

[22] Filed: Jun. 12, 1987

[52] U.S. Cl. D14/249

[58] Field of Search D14/248, 249, 250; 379/433, 440, 436, 435, 434, 454, 52

[56] References Cited

U.S. PATENT DOCUMENTS

D. 81,475	7/1930	Bernhard	D14/248
D. 81,477	7/1930	Clarke	D14/248
D. 83,599	3/1931	Eaton et al.	D14/248
D. 84,451	6/1931	Wolf	D14/248 X
D. 142,133	8/1945	Woodruff	D14/249
D. 181,667	12/1957	Oyler	D14/249
D. 183,019	6/1958	Porter	D14/249

D. 214,128	5/1969	Ericksson	D14/249
D. 241,350	9/1976	Kao et al.	D14/249
D. 242,550	11/1976	Leight	D14/250
2,468,721	4/1949	Volkman	179/182

Primary Examiner—Horace B. Fay, Jr.
Attorney, Agent, or Firm—Edwin E. Greigg

[57] CLAIM

The ornamental design for a telephone receiver cushion, as shown and described.

DESCRIPTION

FIG. 1 is a front perspective view of a telephone receiver cushion showing my new design; FIG. 2 is a front elevational view thereof; FIGS. 3 and 4 are respectively top and bottom plan view thereof; FIG. 5 is an inverted rear elevational view thereof; and FIG. 6 is an inverted side elevational view thereof. The broken line showing of an abbreviated portion of a handset in FIG. 1 is for illustrative purposes only and forms no part of the claimed design.

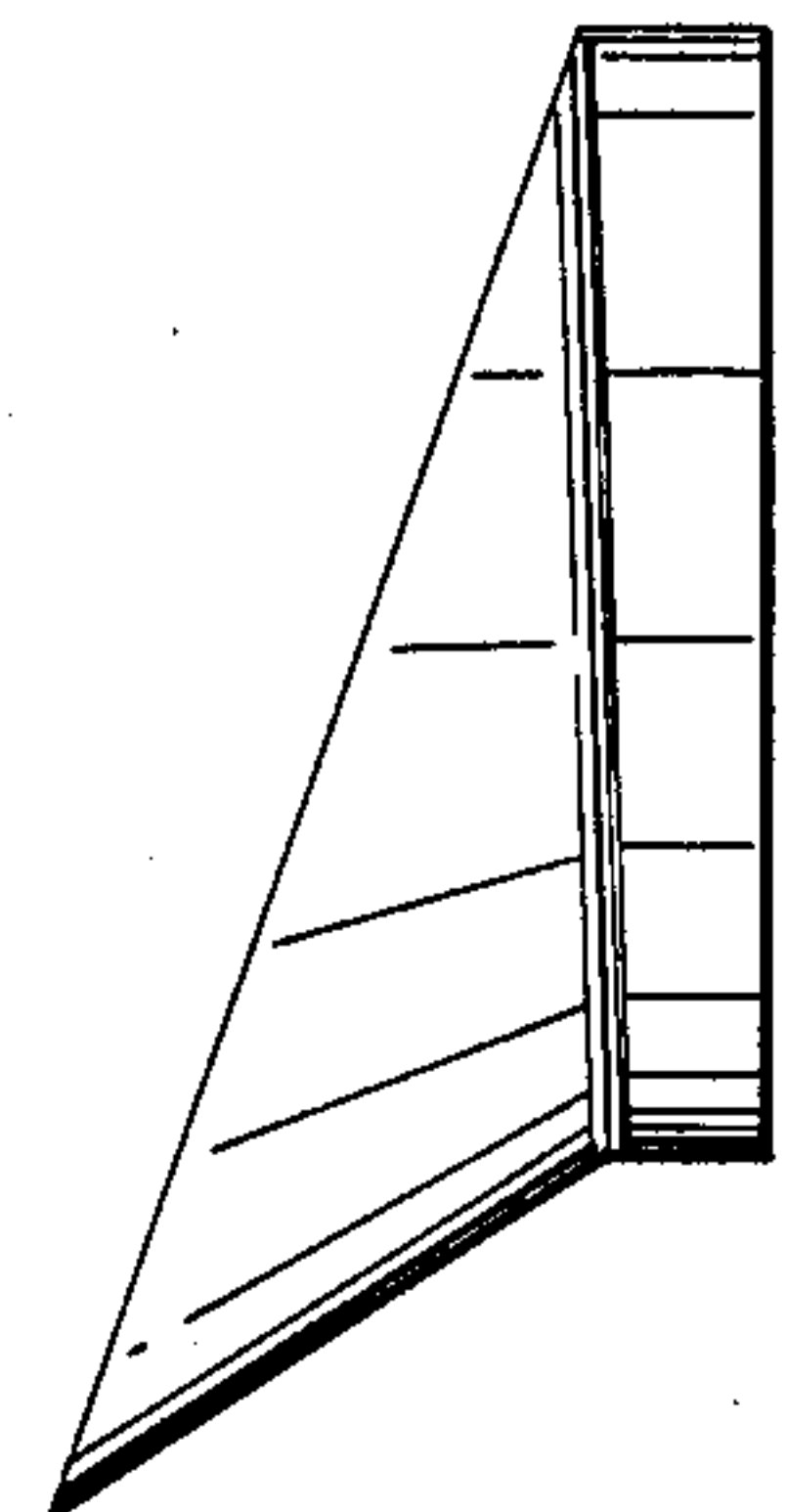
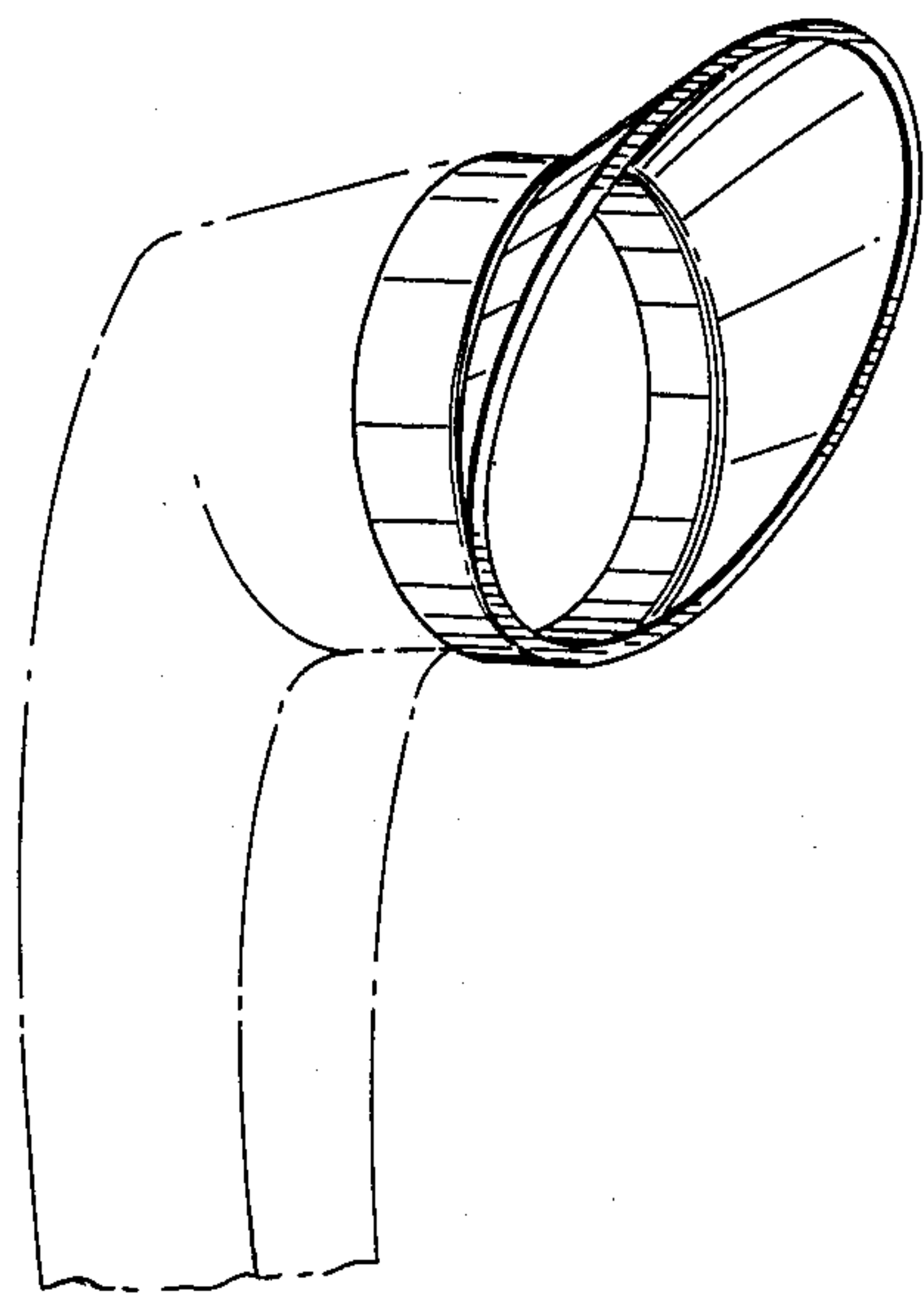


FIG. 1

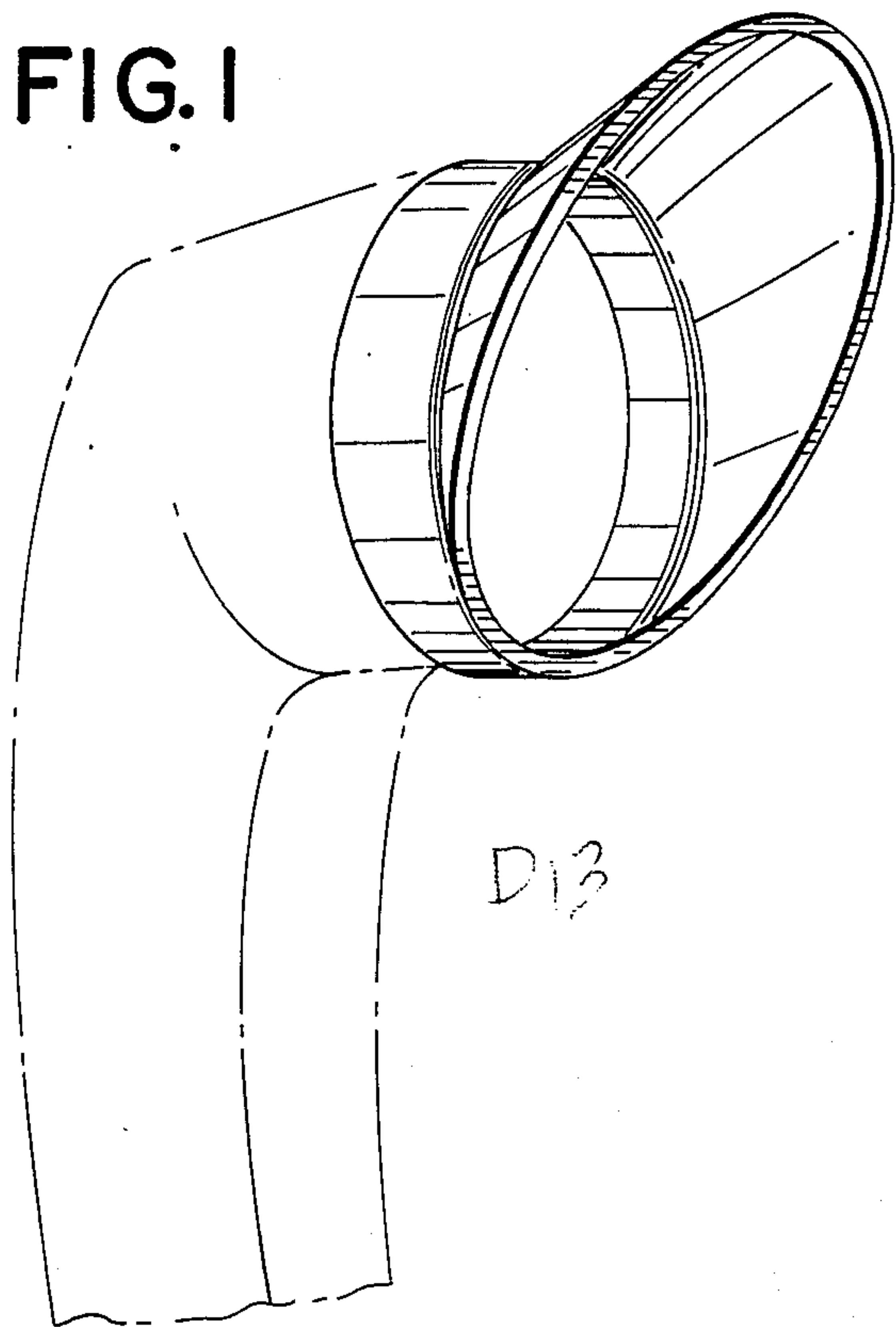


FIG. 2

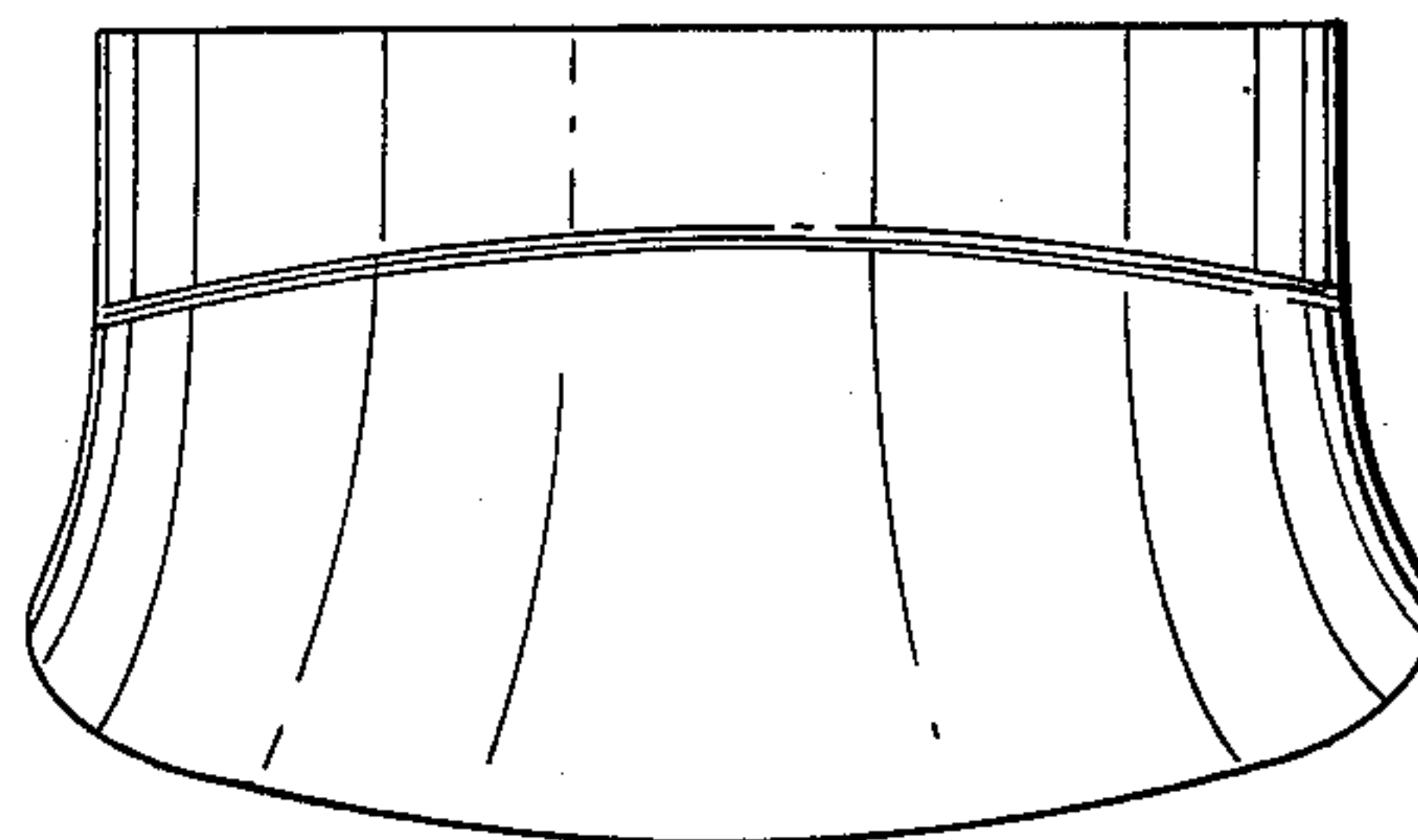
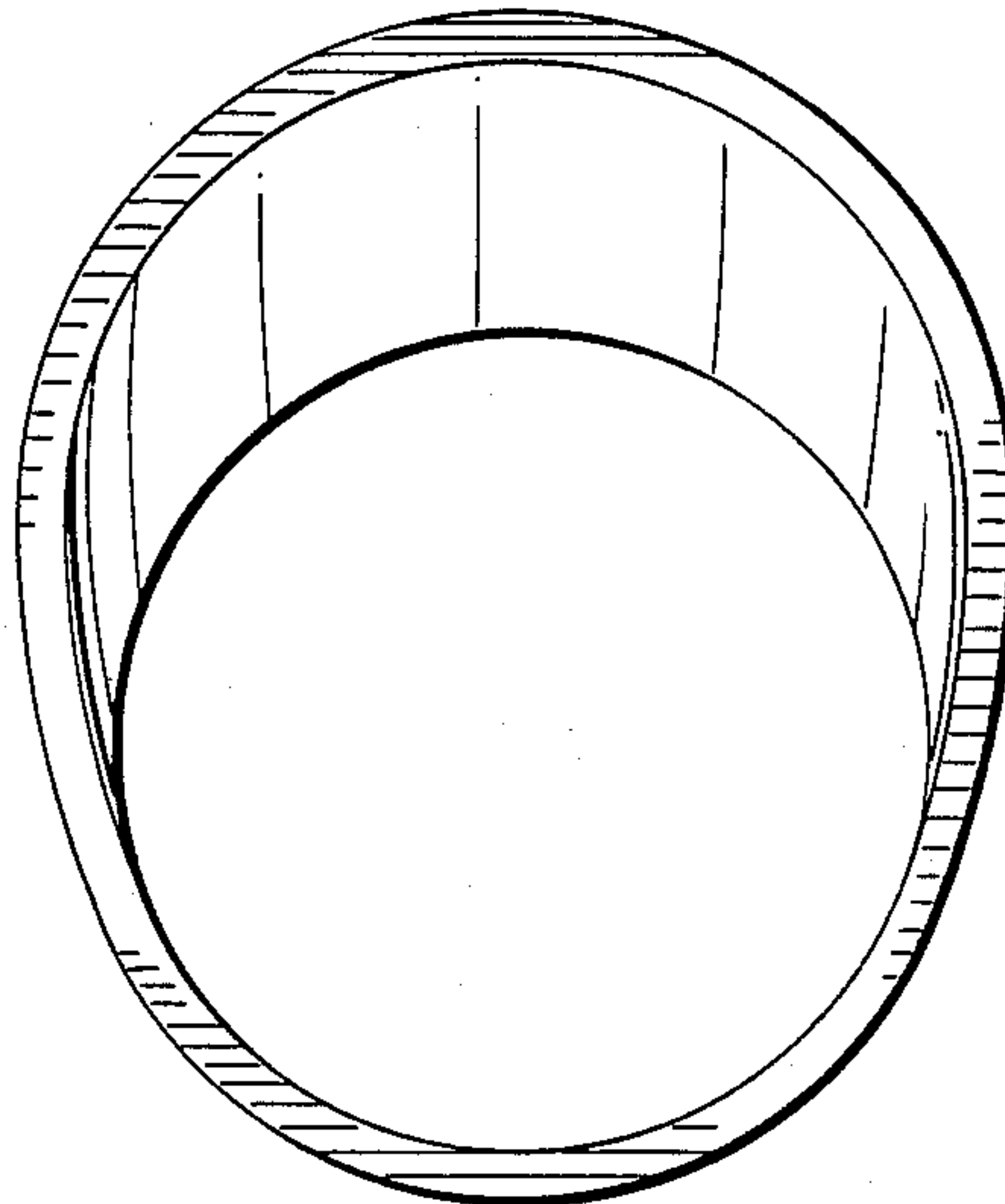


FIG. 3

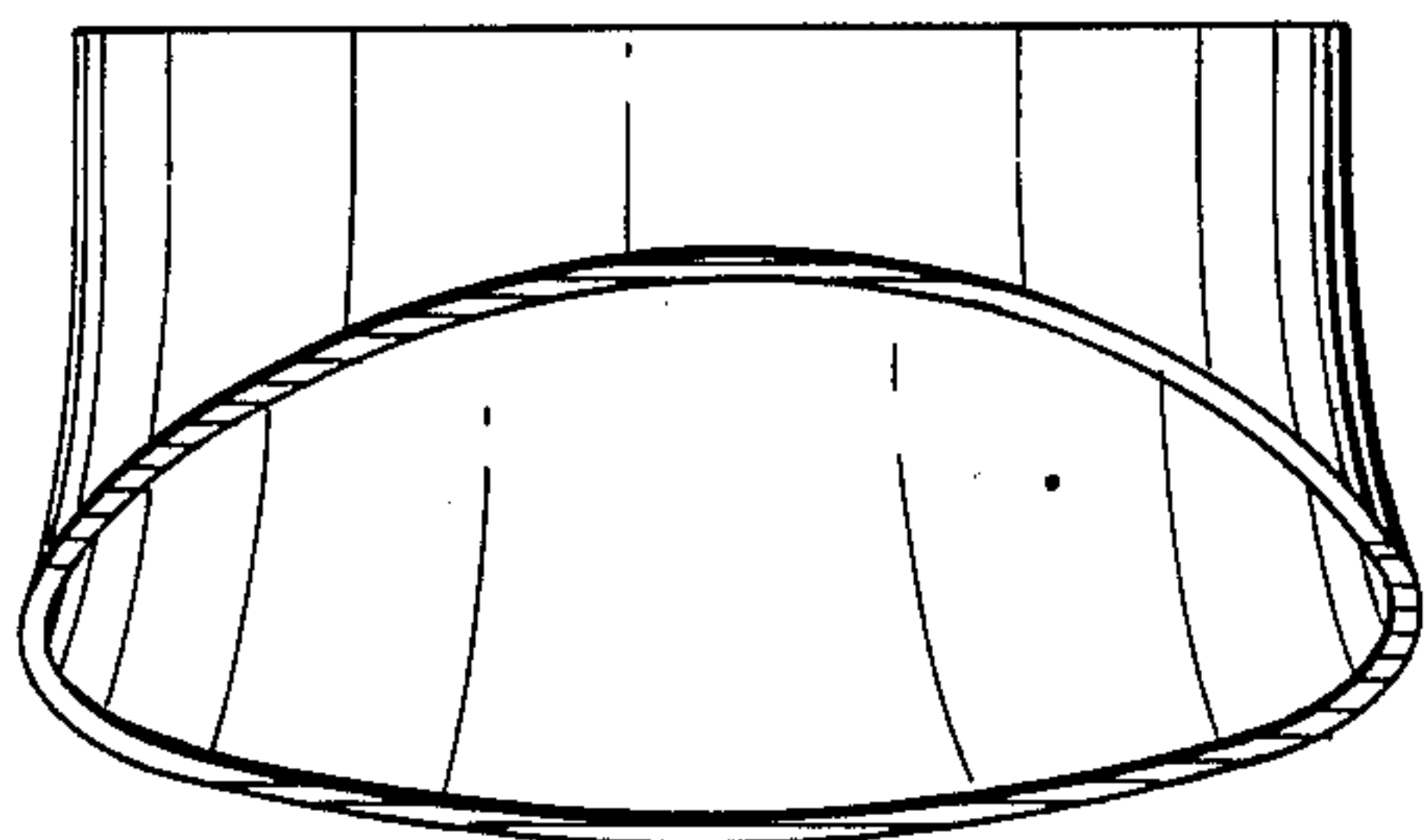


FIG. 4

FIG. 5

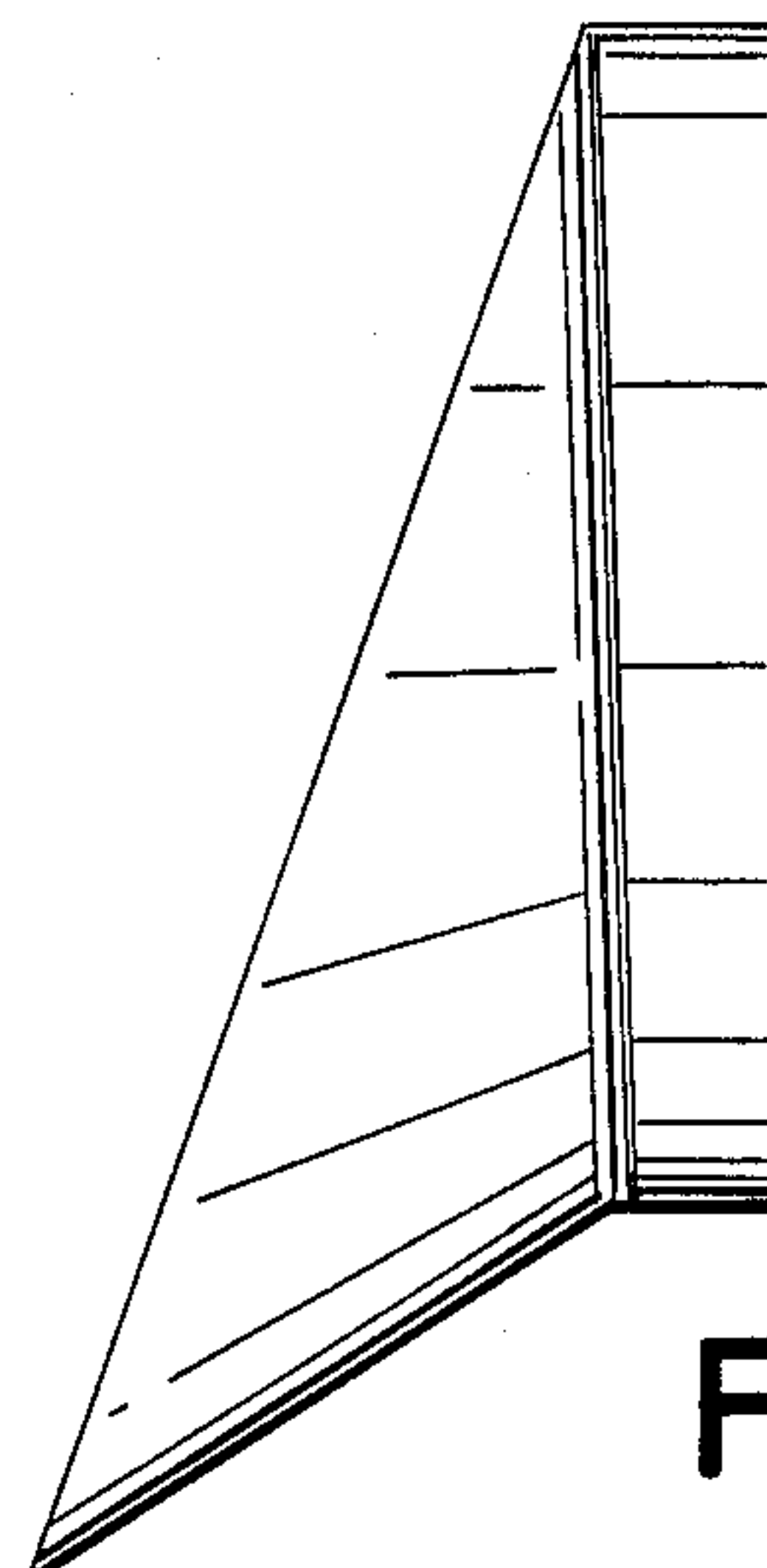
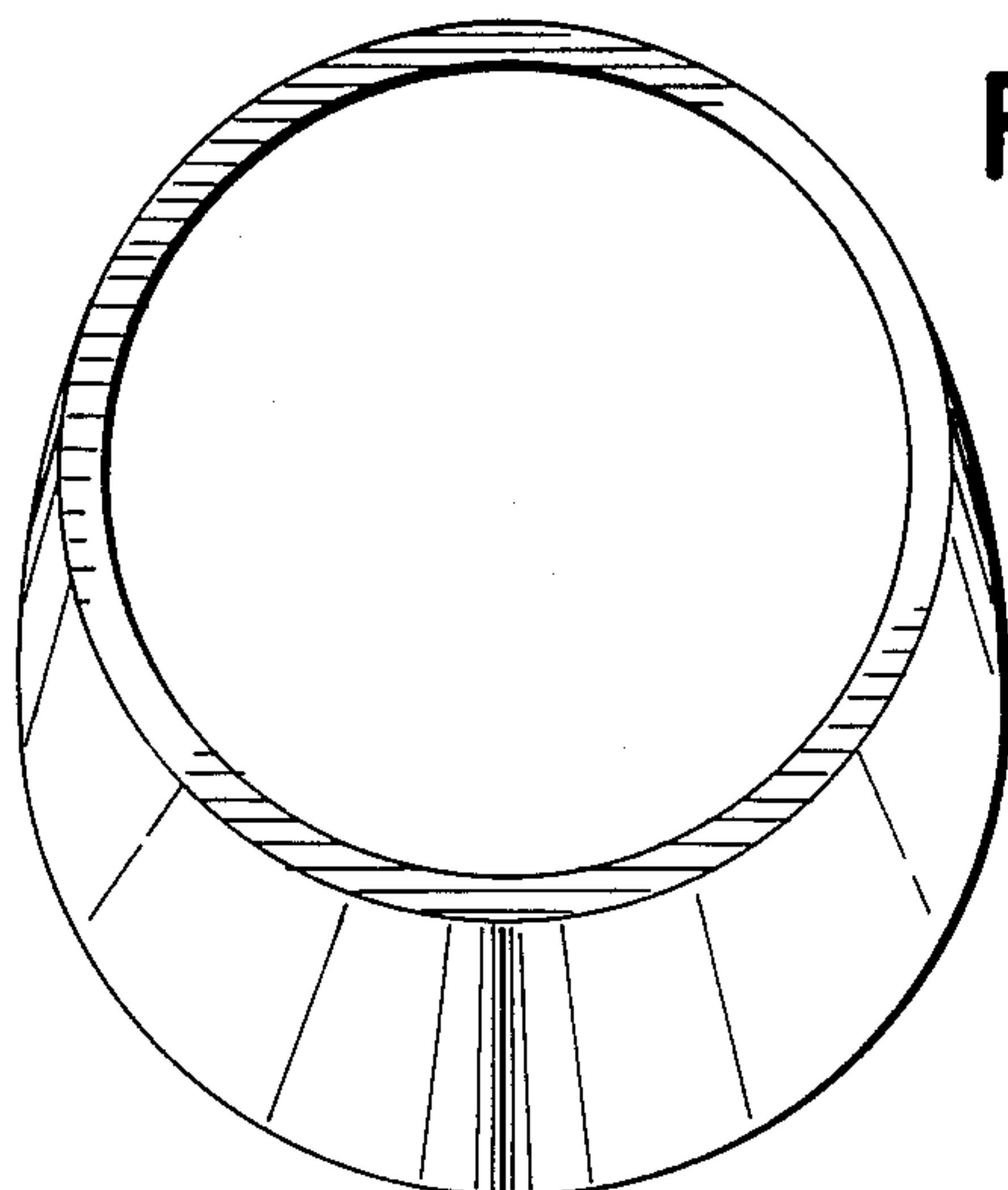


FIG. 6