

[54] BAR CODE SCANNER OR SIMILAR ARTICLE

[75] Inventor: David M. J. Allgeier, Cumberland, Ohio

[73] Assignee: NCR Corporation, Dayton, Ohio

[**] Term: 14 Years

[21] Appl. No.: 181,339

[22] Filed: Apr. 14, 1988

[52] U.S. Cl. D14/107

[58] Field of Search D14/100, 105, 107, 111, D14/114, 116; D16/1, 2, 27, 28, 29, 30, 32; D18/13, 22, 23; 354/80, 81, 82; 355/1, 7, 8, 14 SH, 19, 45, 46, 47; 235/475, 479, 440, 454, 462, 470, 471, 472, 473, 483, 484, 486; 250/203 R, 216, 566, 568; 382/58, 59, 62, 63, 65, 66, 67, 68; 358/285, 286, 163, 256, 292, 293, 294; 364/520

[56] References Cited

U.S. PATENT DOCUMENTS

D. 296,328 6/1988 Austin et al. D14/107
3,076,957 2/1963 Hankes et al. 340/173

3,555,244	1/1971	Spausazus et al.	235/61.6
4,369,361	1/1963	Swartz et a l.	235/470
4,639,781	1/1987	Rucci et al.	358/163
4,672,184	6/1987	Fujiwara et al.	235/462
4,740,904	4/1988	Nagle	364/520
4,766,297	8/1988	McMillan	235/462 X

Primary Examiner—Susan J. Lucas
Assistant Examiner—Freda S. Nunn
Attorney, Agent, or Firm—Wilbert Hawk, Jr.; Albert L. Sessler, Jr.; Richard W. Lavin

[57] CLAIM

The ornamental design for a bar code scanner or similar article, as shown and described.

DESCRIPTION

FIG. 1 is a right front perspective view of the bar code scanner or similar article showing my new design;
FIG. 2 is a right side elevational view thereof;
FIG. 3 is a top plan view thereof;
FIG. 4 is a front elevational view thereof;
FIG. 5 is a rear elevational view thereof;
FIG. 6 is a left side elevational view thereof;
FIG. 7 is a bottom plan view thereof.

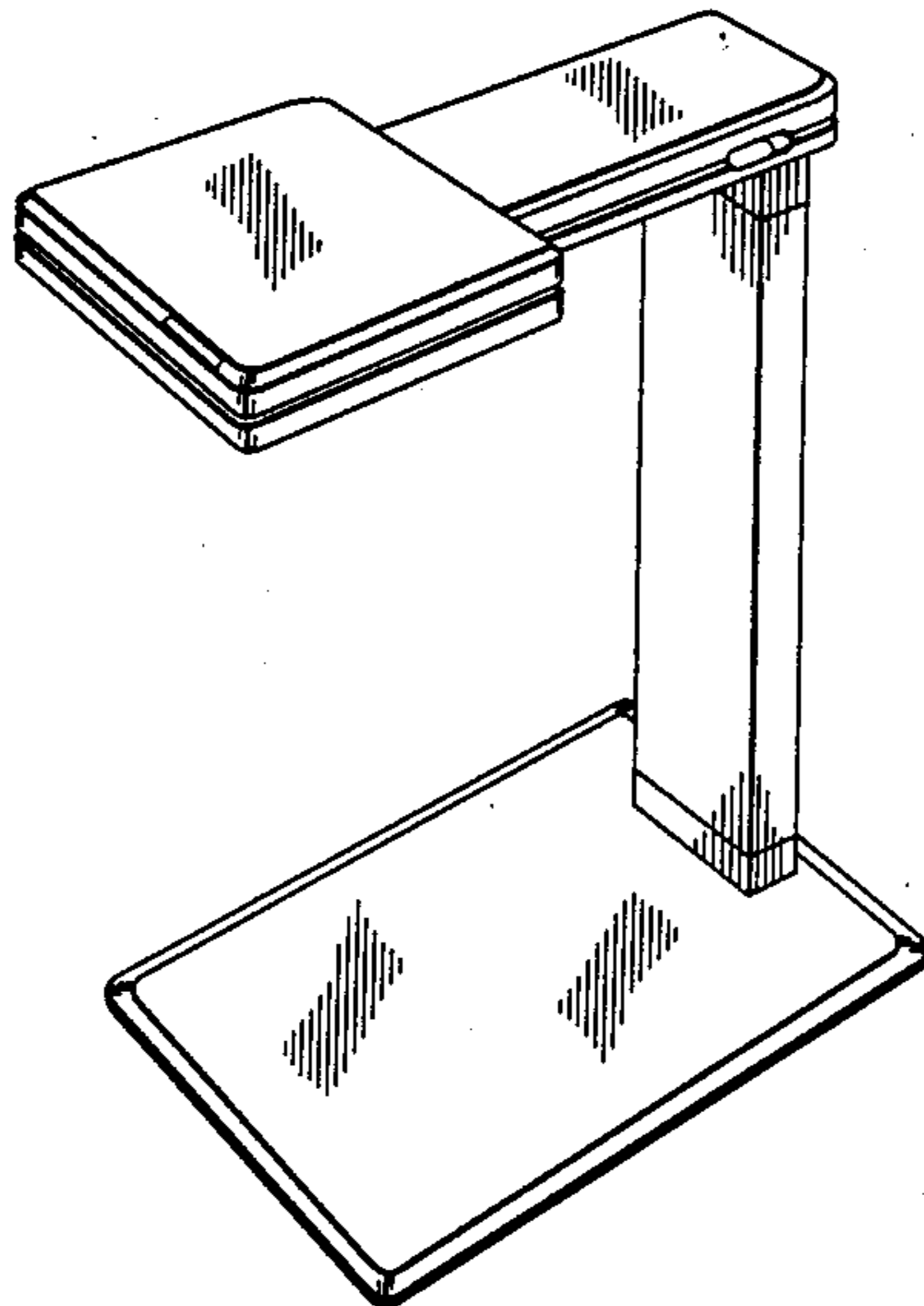


FIG. 1

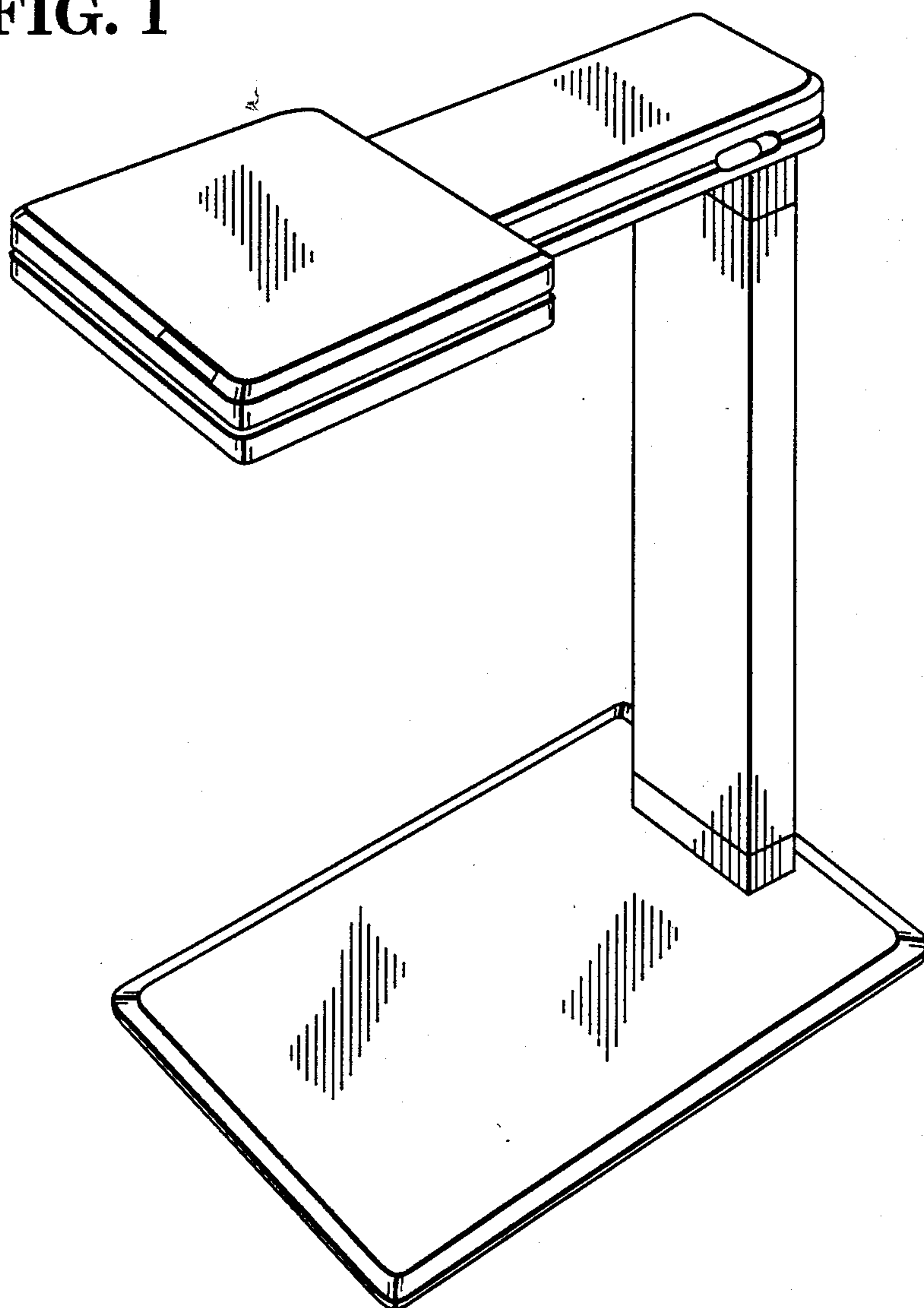


FIG. 2

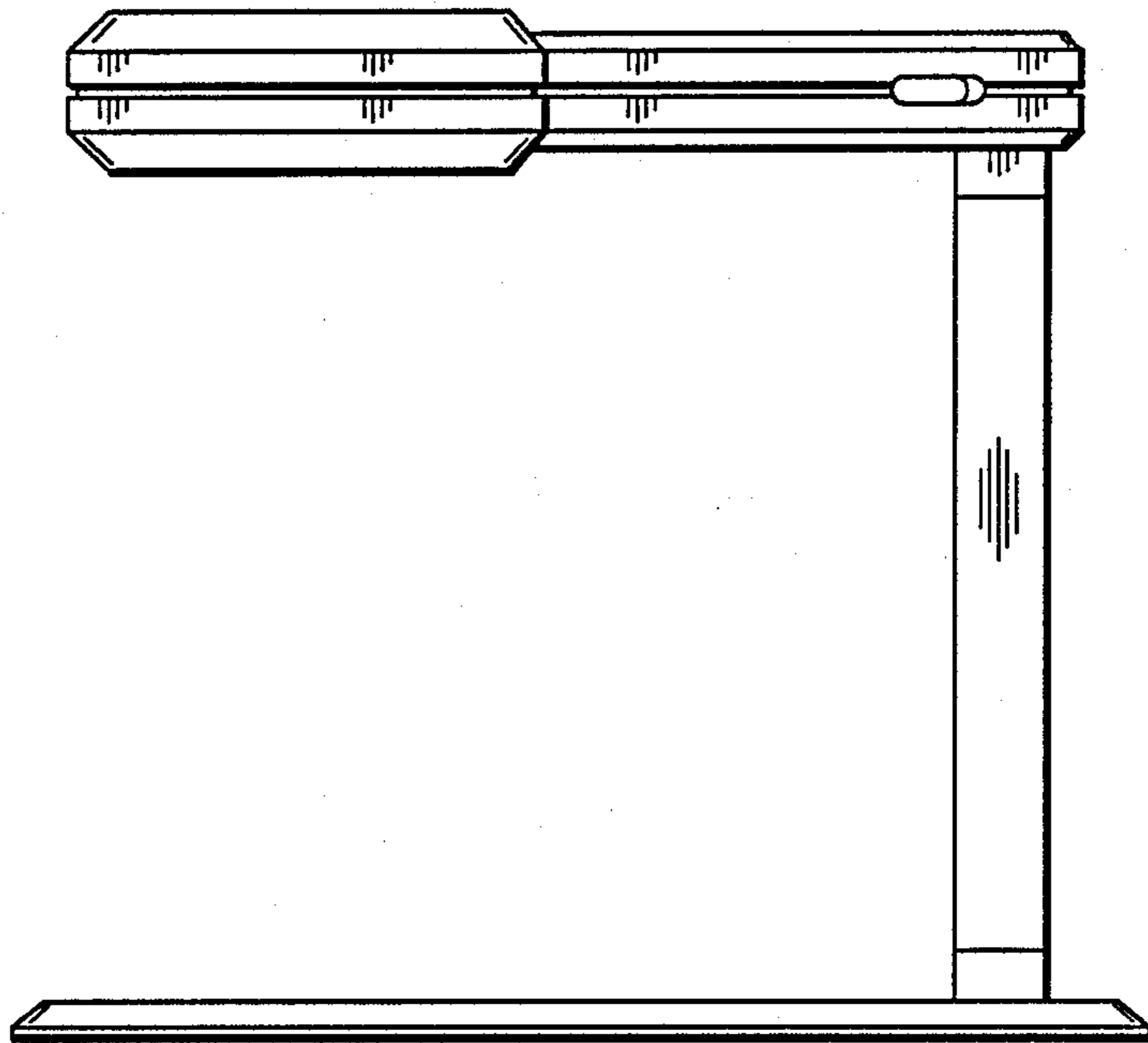


FIG. 3

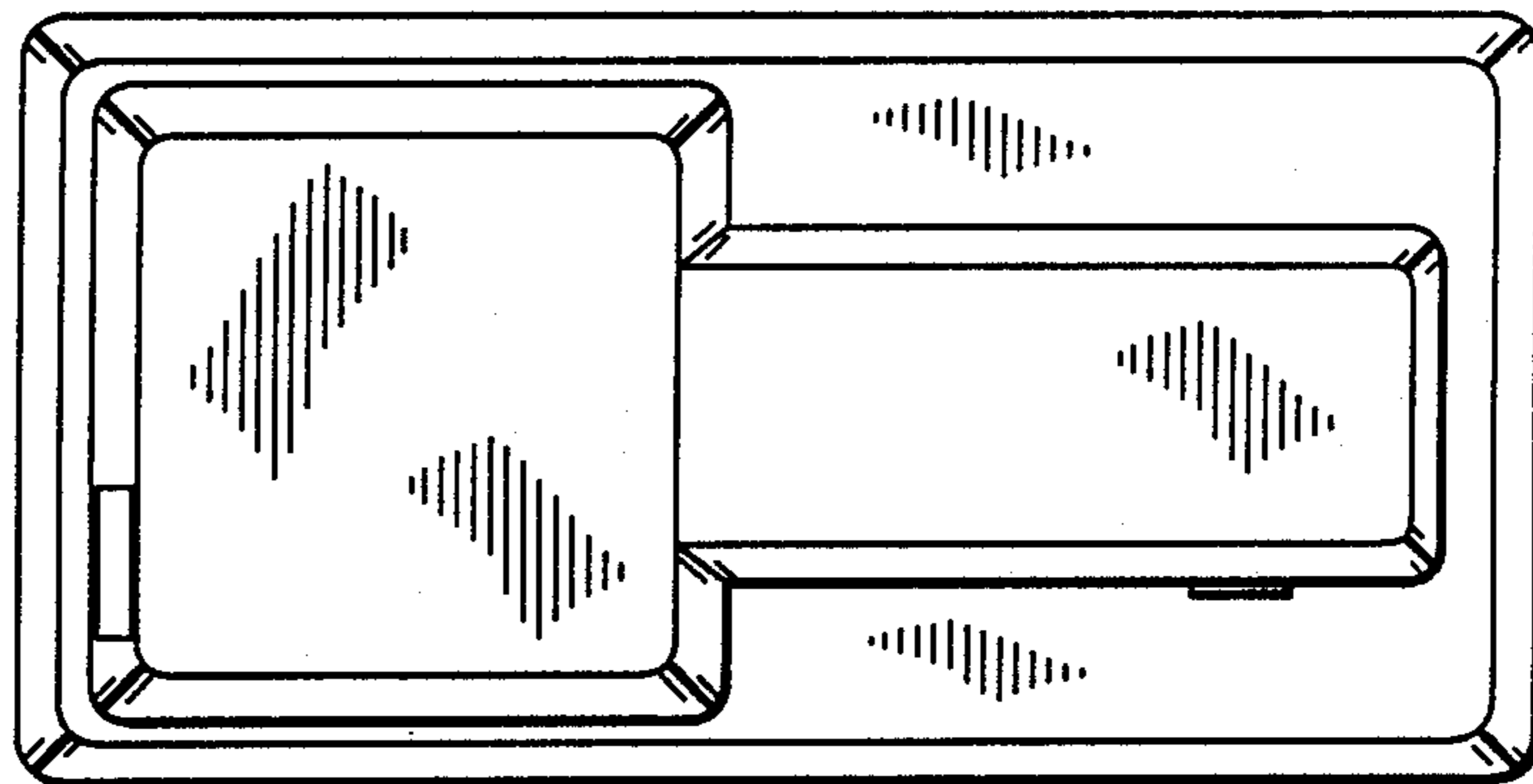


FIG. 4

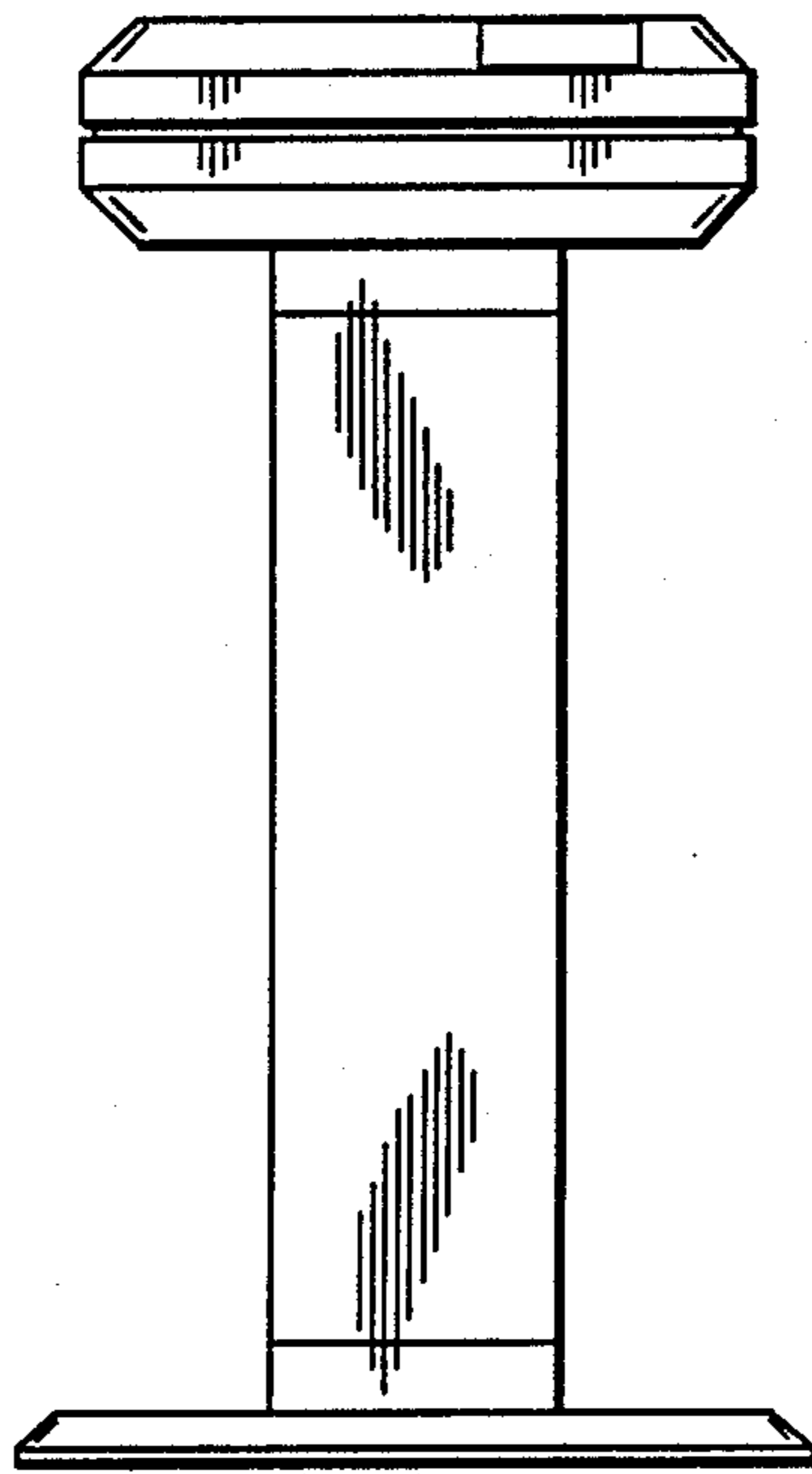


FIG. 5

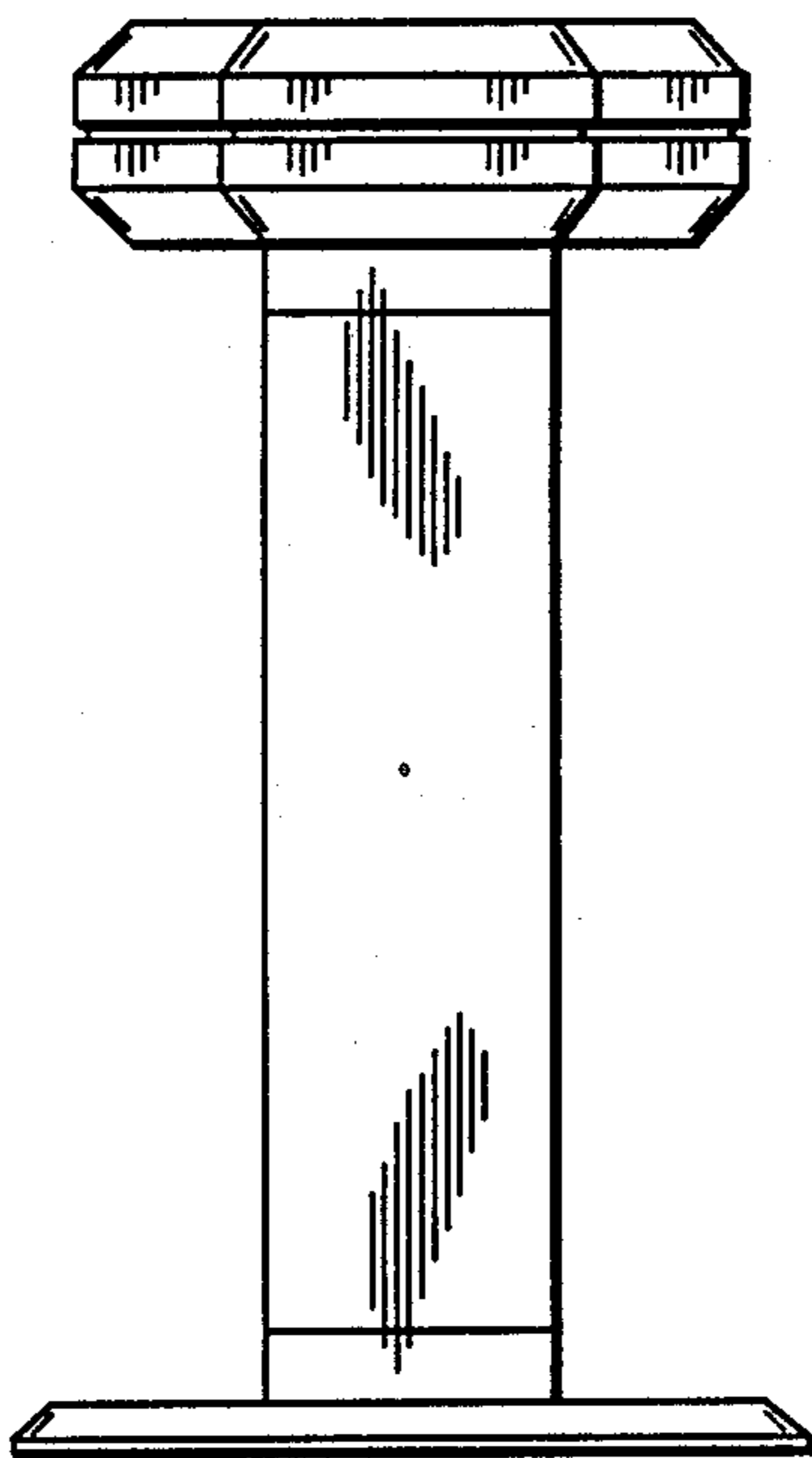


FIG. 6

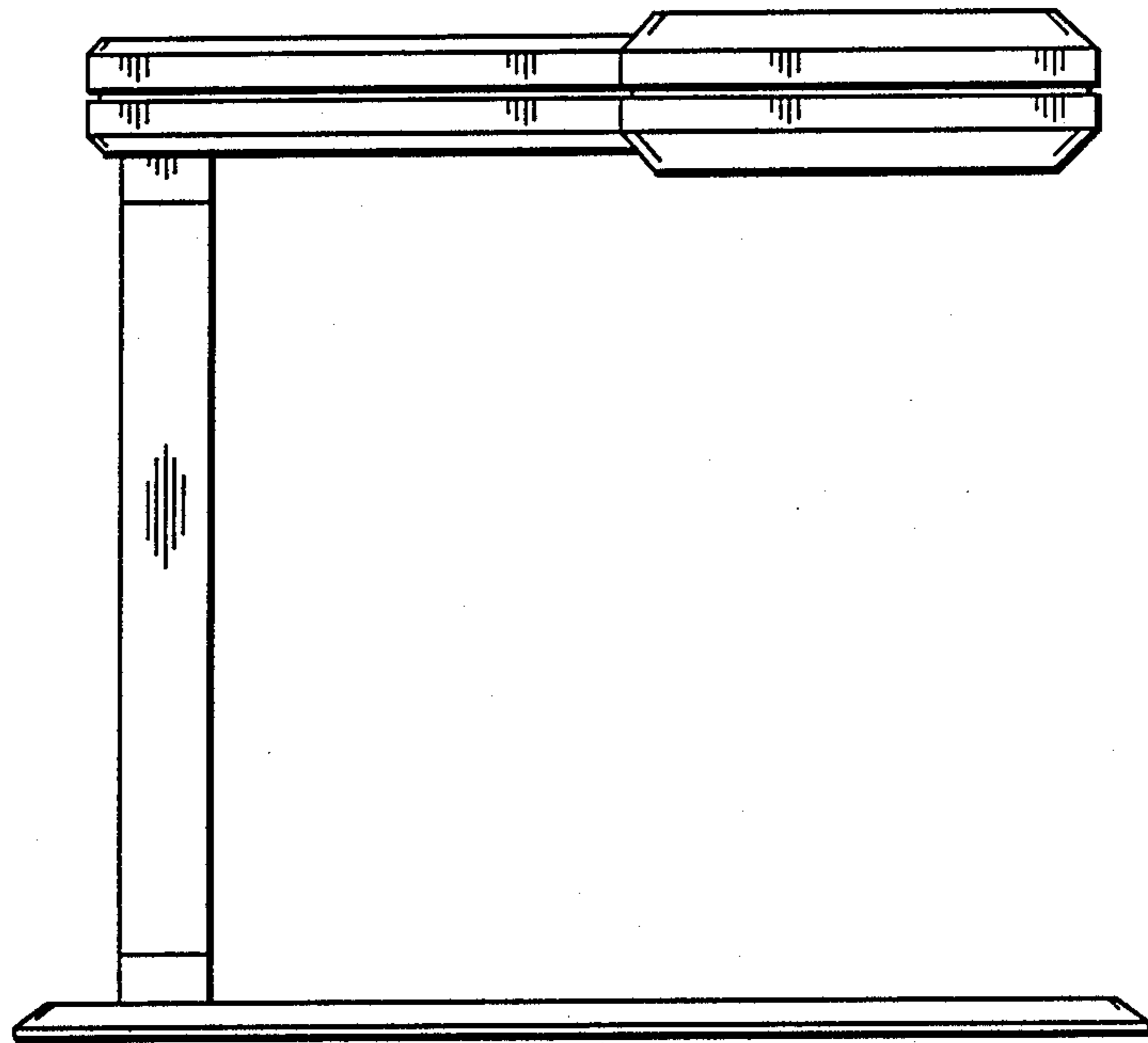


FIG. 7

