

# United States Patent [19]

Komatsu

[11] Patent Number: Des. 305,225

[45] Date of Patent: \*\* Dec. 26, 1989

[54] ELECTRICAL CONNECTOR

[75] Inventor: Yasuhiro Komatsu, Osaka, Japan

[73] Assignee: Hosiden Electronics Co., Ltd., Yao, Japan

[\*\*] Term: 14 Years

[21] Appl. No.: 67,088

[22] Filed: Jun. 26, 1987

[30] Foreign Application Priority Data

Jan. 19, 1987 [JP] Japan ..... 62-1642

[52] U.S. Cl. .... D13/24

[58] Field of Search ..... D13/24; 439/578, 586-592, 439/595, 598, 603, 606, 607, 629, 630, 631, 680, 681, 692

[56] References Cited

U.S. PATENT DOCUMENTS

D. 208,551 9/1967 Geis, Jr. .... D13/24

D. 271,685	12/1983	Casciotti et al. ....	D13/24
D. 299,715	2/1989	Stowers et al. ....	D13/24
D. 301,870	6/1989	Shibano ....	D13/24
4,376,565	3/1983	Bird ....	439/681
4,679,883	7/1987	Assini et al. ....	439/607

Primary Examiner—Susan J. Lucas  
Attorney, Agent, or Firm—Jones, Tullar & Cooper

[57] CLAIM

The ornamental design for an electrical connector, as shown and described.

DESCRIPTION

FIG. 1 is a perspective view, from the front, top and one side, of an electrical connector according to my new design;

FIG. 2 is a front elevation view thereof;

FIG. 3 is a rear elevation view thereof;

FIG. 4 is a top plan view thereof;

FIG. 5 is a bottom plan view thereof;

FIG. 6 is a left side elevation view thereof;

FIG. 7 is a right side elevation view thereof.

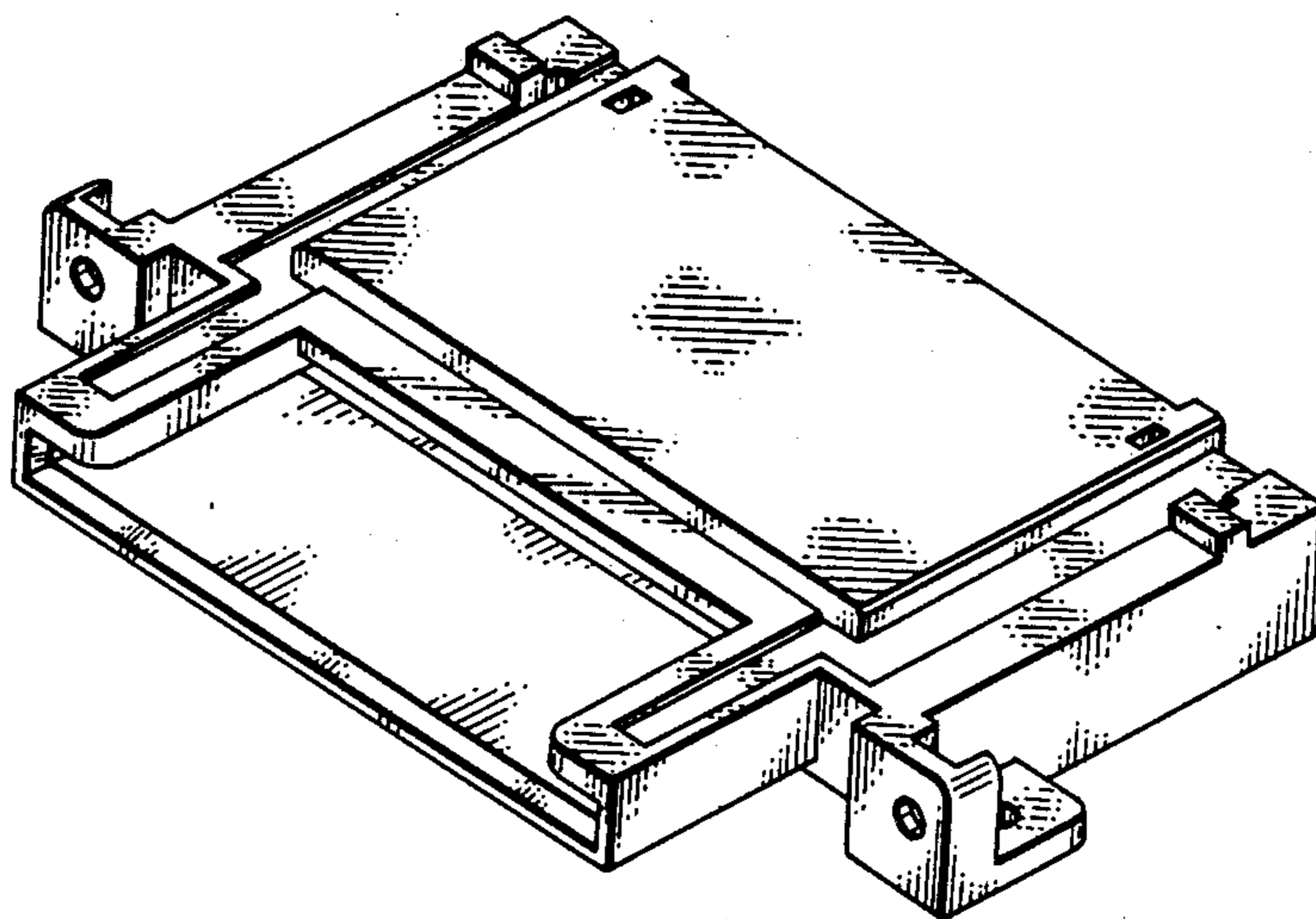


Fig. 1

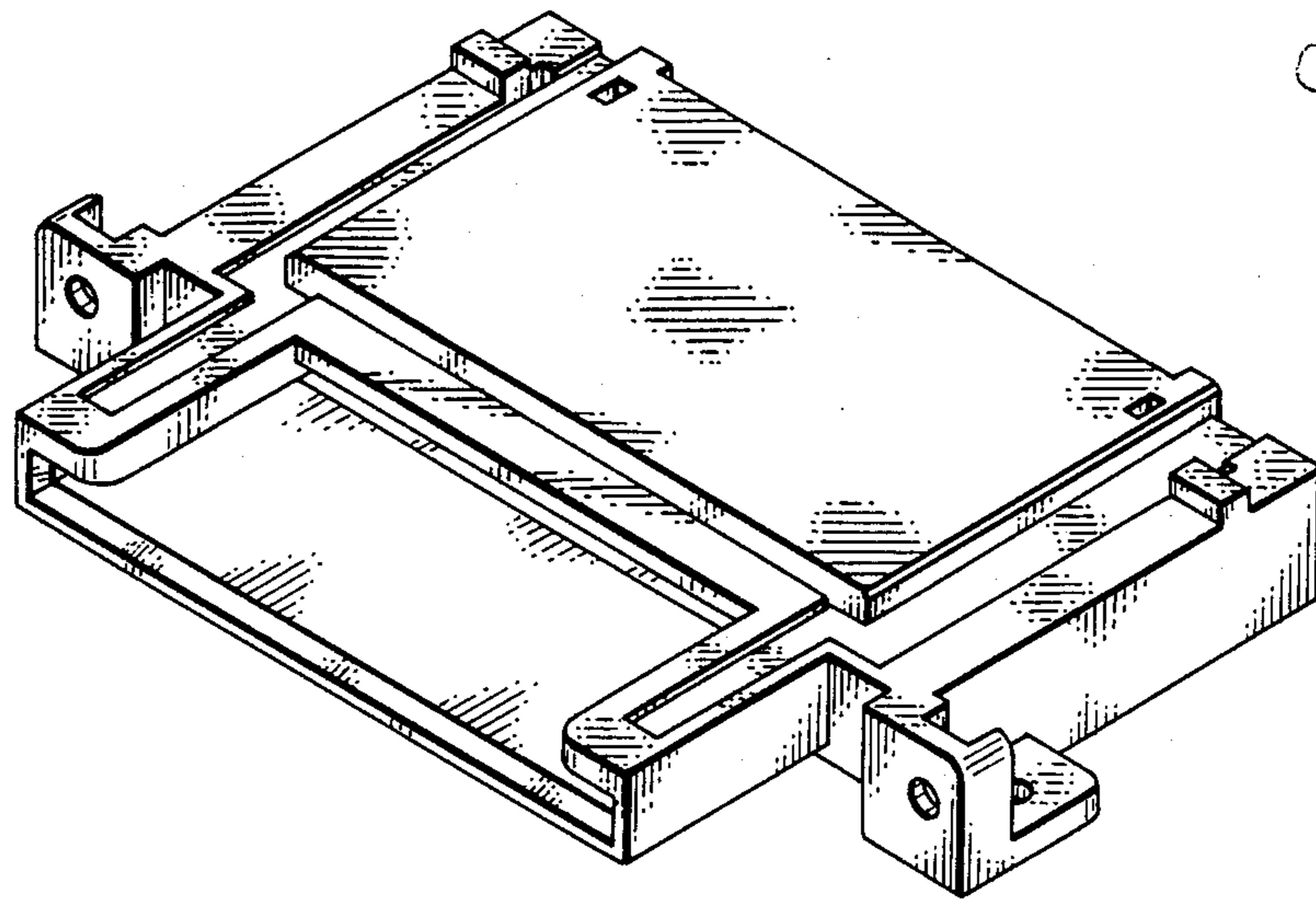


Fig. 2

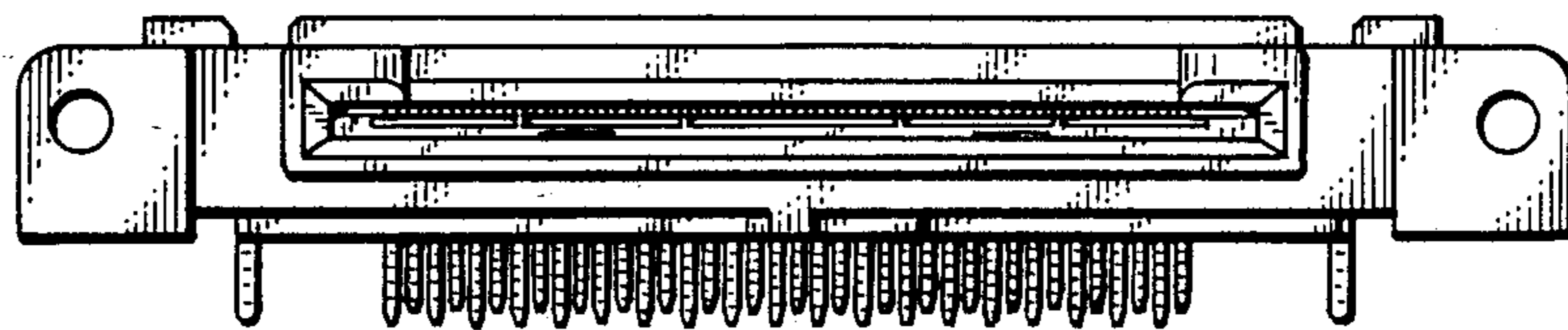


Fig. 3

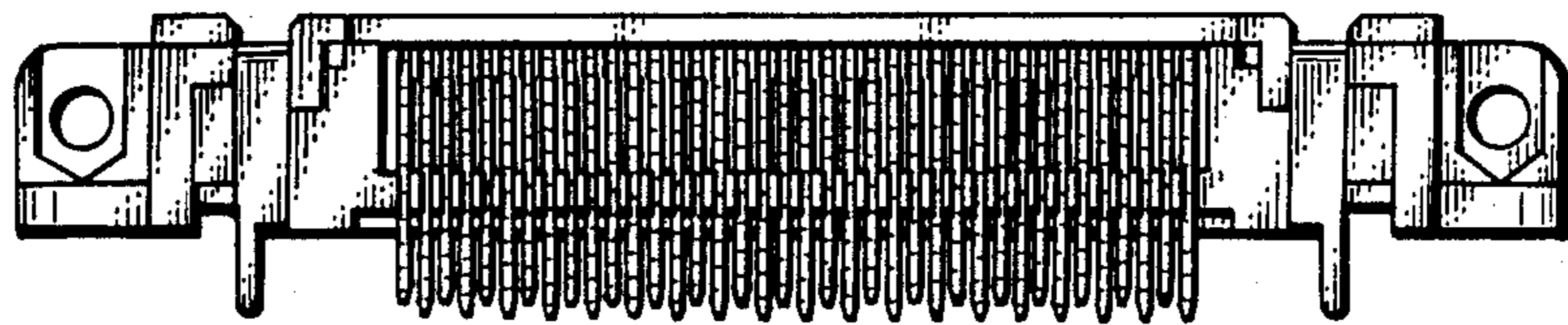


Fig. 4

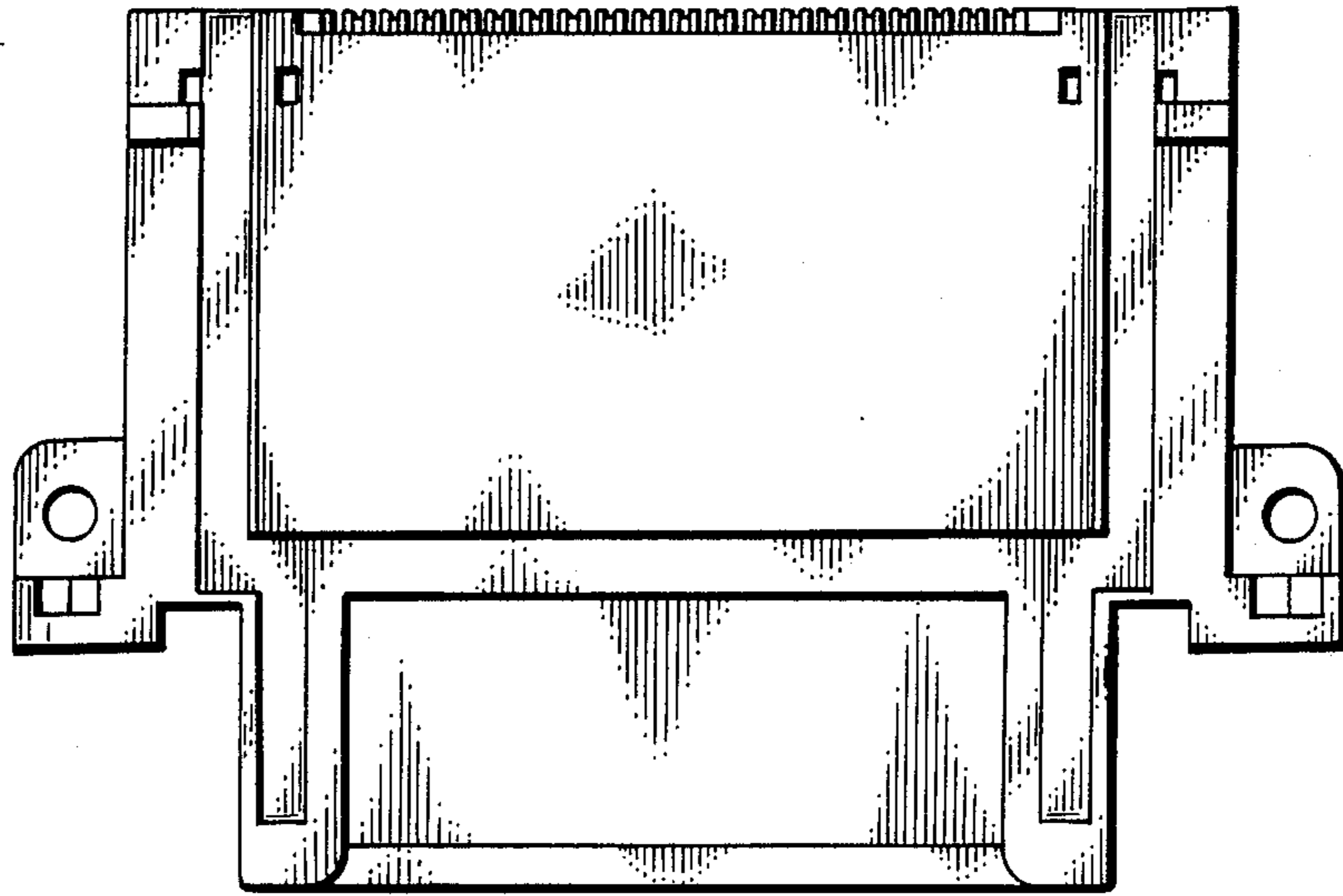


Fig. 5

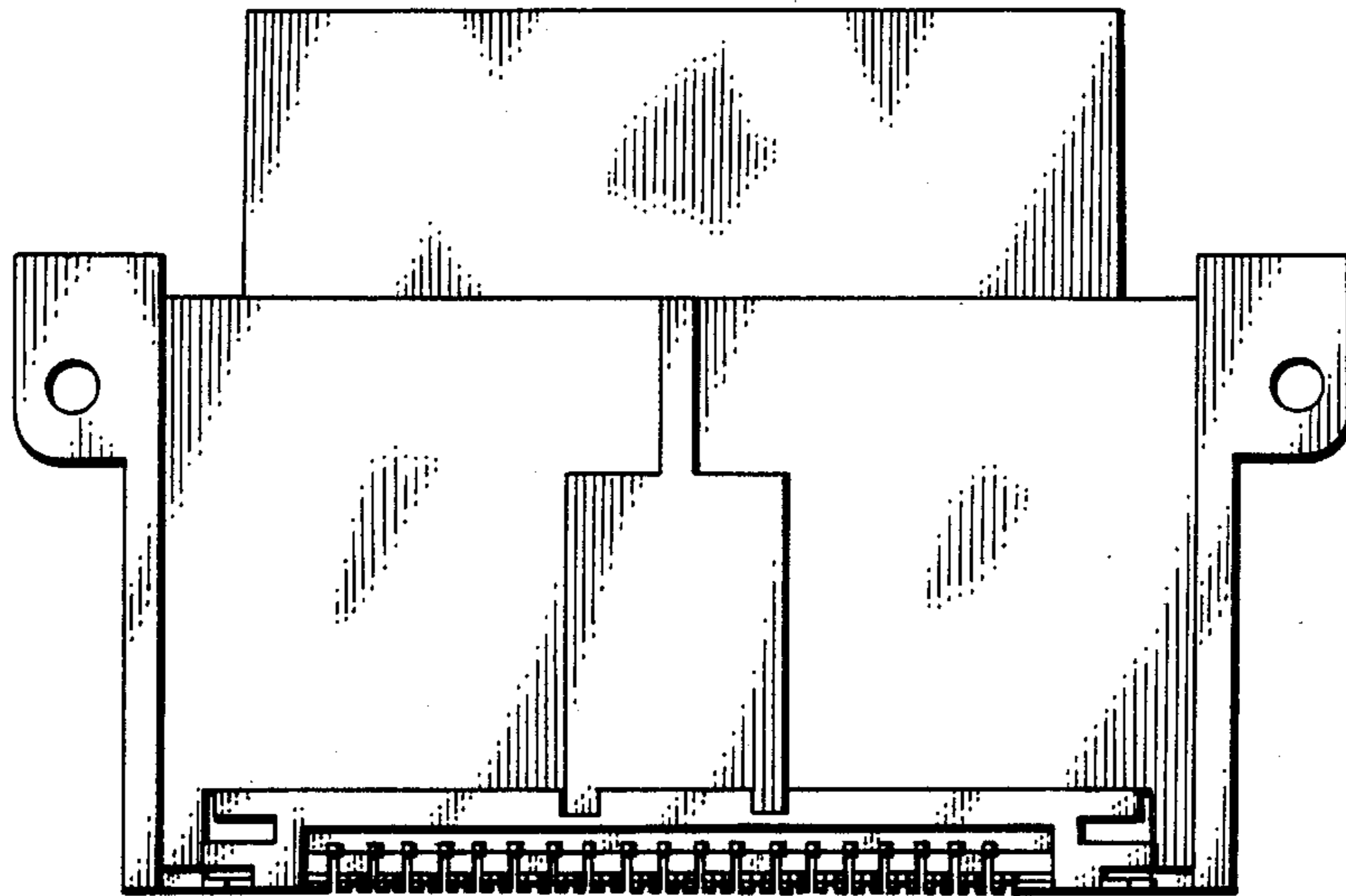


Fig. 6

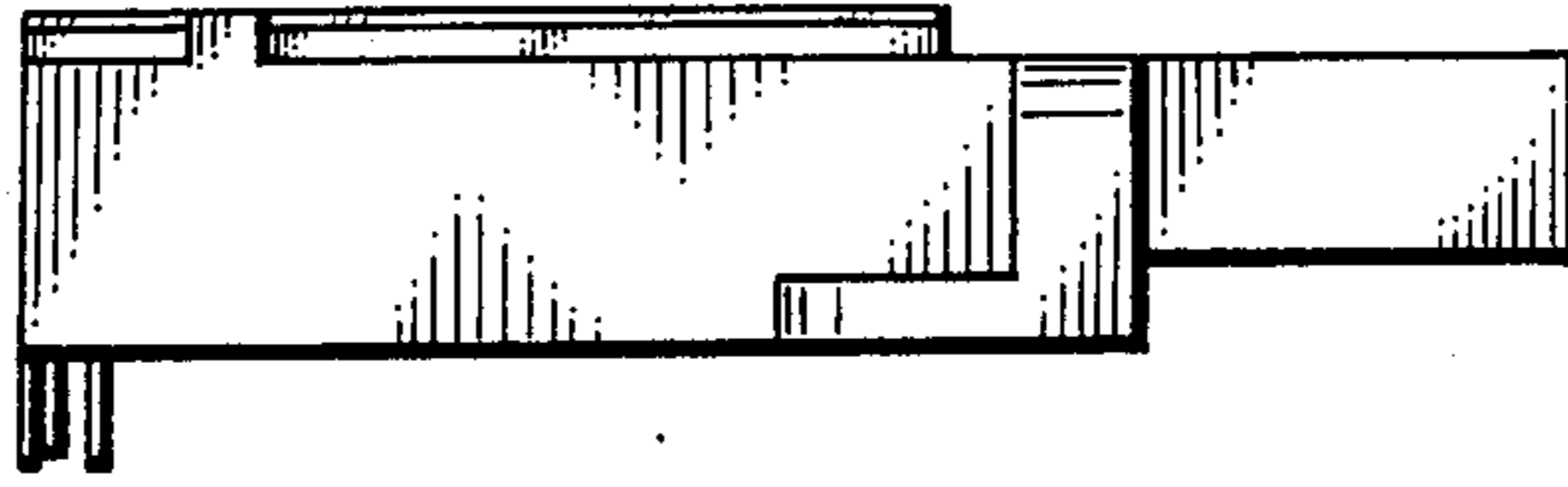


Fig. 7

