

[54] ELECTRICAL CONNECTOR

[75] Inventor: Masanori Iwashita, Ikoma, Japan

[73] Assignee: Hosiden Electronics Co., Ltd., Yao, Japan

[**] Term: 14 Years

[21] Appl. No.: 106,331

[22] Filed: Oct. 9, 1987

[30] Foreign Application Priority Data

Apr. 24, 1987 [JP] Japan 62-16350

[52] U.S. Cl. D13/24

[58] Field of Search D13/24; 439/652, 638, 439/578, 586-592, 595, 598, 603, 606, 607, 629, 630, 631, 680, 681, 692, 347, 350

[56] References Cited

U.S. PATENT DOCUMENTS

3,963,300 6/1976 Patton et al. 439/638
3,990,763 11/1976 Kress 439/652

4,236,779 12/1980 Tang 439/638 X
4,671,594 6/1987 Ohtsuki et al. 439/347

Primary Examiner—Susan J. Lucas
Attorney, Agent, or Firm—Jones, Tullar & Cooper

[57] CLAIM

The ornamental design for an electrical connector, as shown and described.

DESCRIPTION

FIG. 1 is a front elevational view of an electrical connector showing my new design on an enlarged scale; FIG. 2 is a rear elevational view thereof on an enlarged scale; FIG. 3 is a left side elevational view thereof on an enlarged scale; FIG. 4 is a right side elevational view thereof on an enlarged scale; FIG. 5 is a top plan view thereof on an enlarged scale; FIG. 6 is a bottom plan view thereof on an enlarged scale; FIG. 7 is a top, front perspective view thereof.

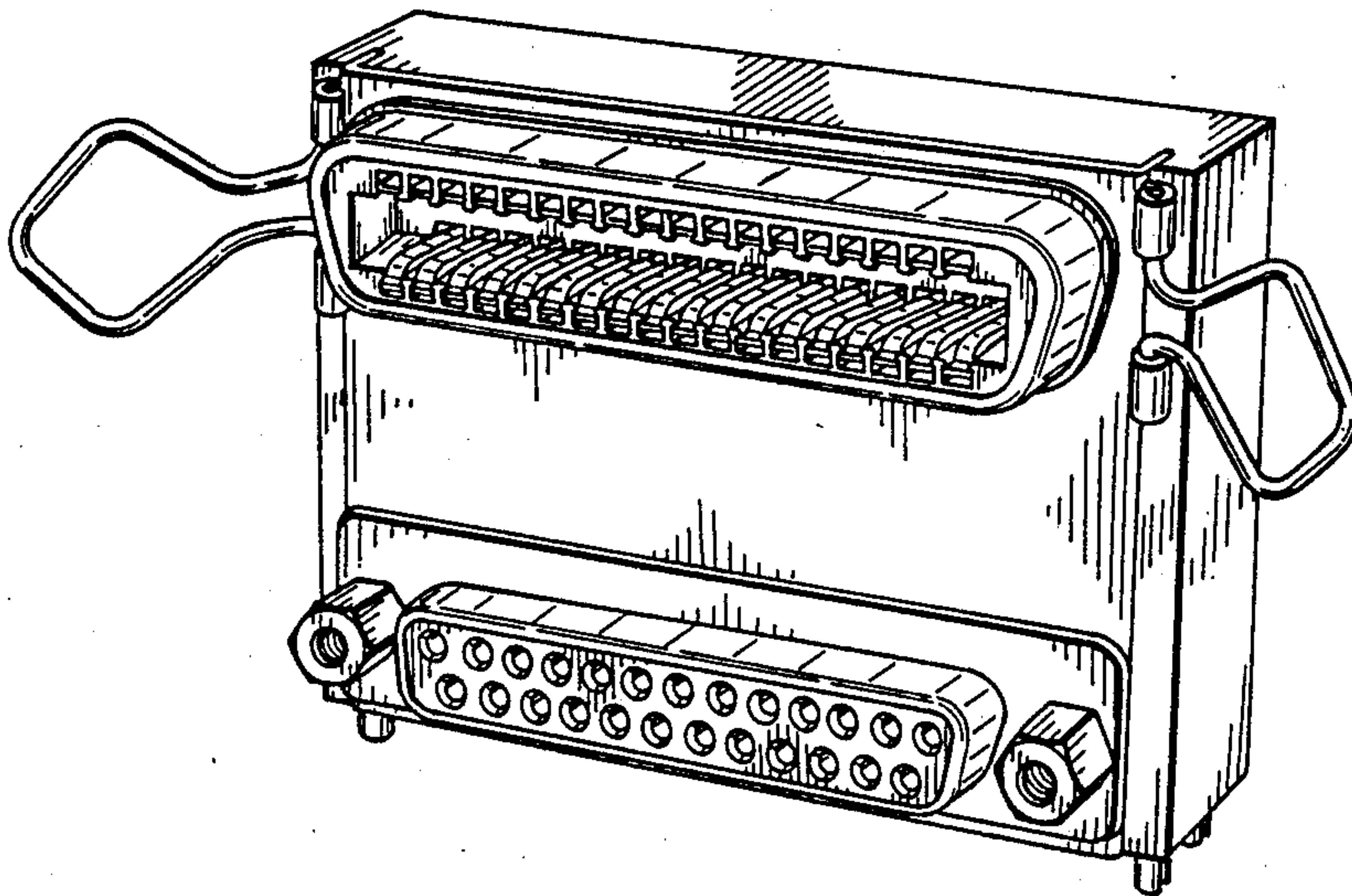


Fig. 1

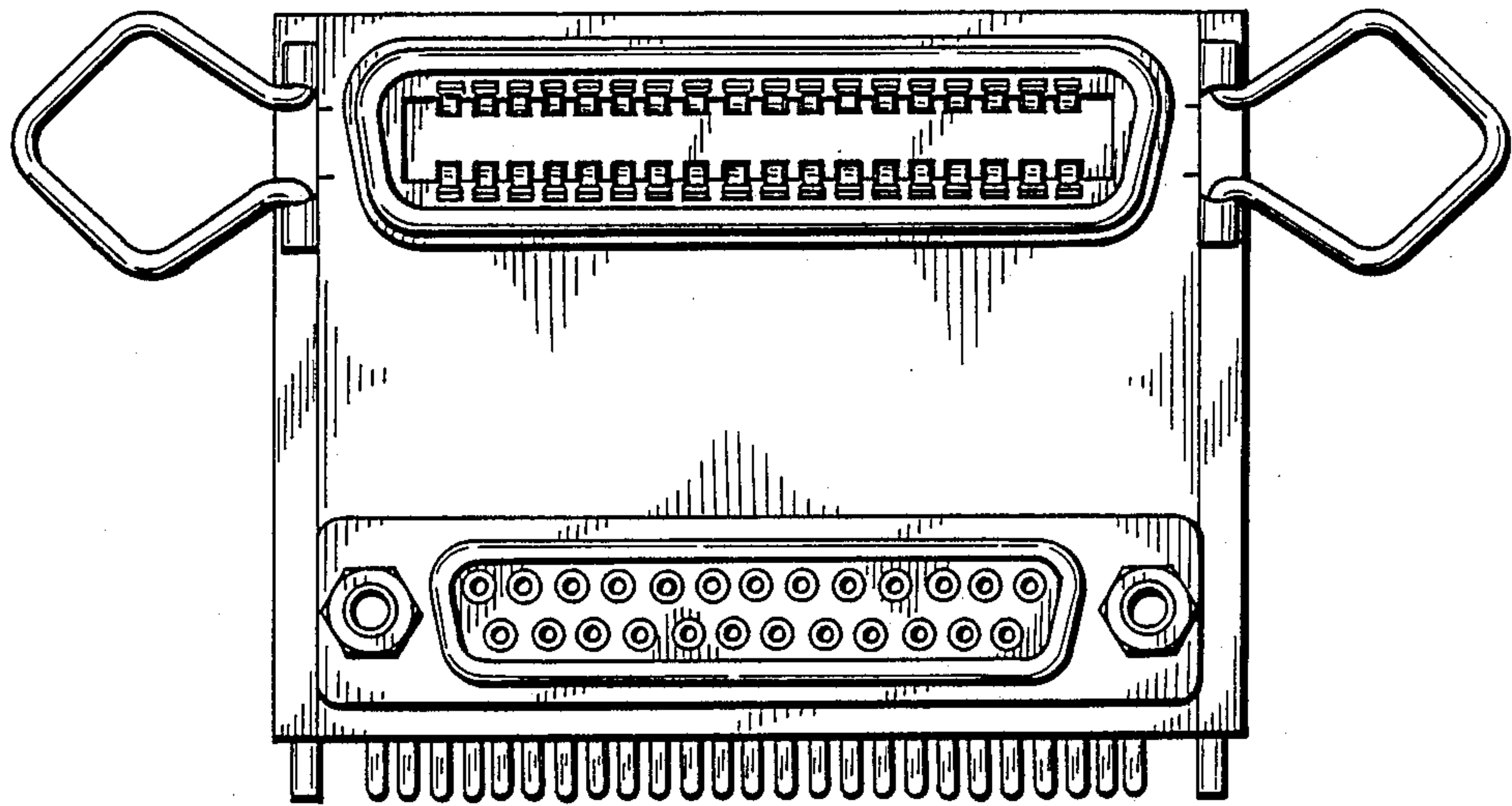


Fig. 2

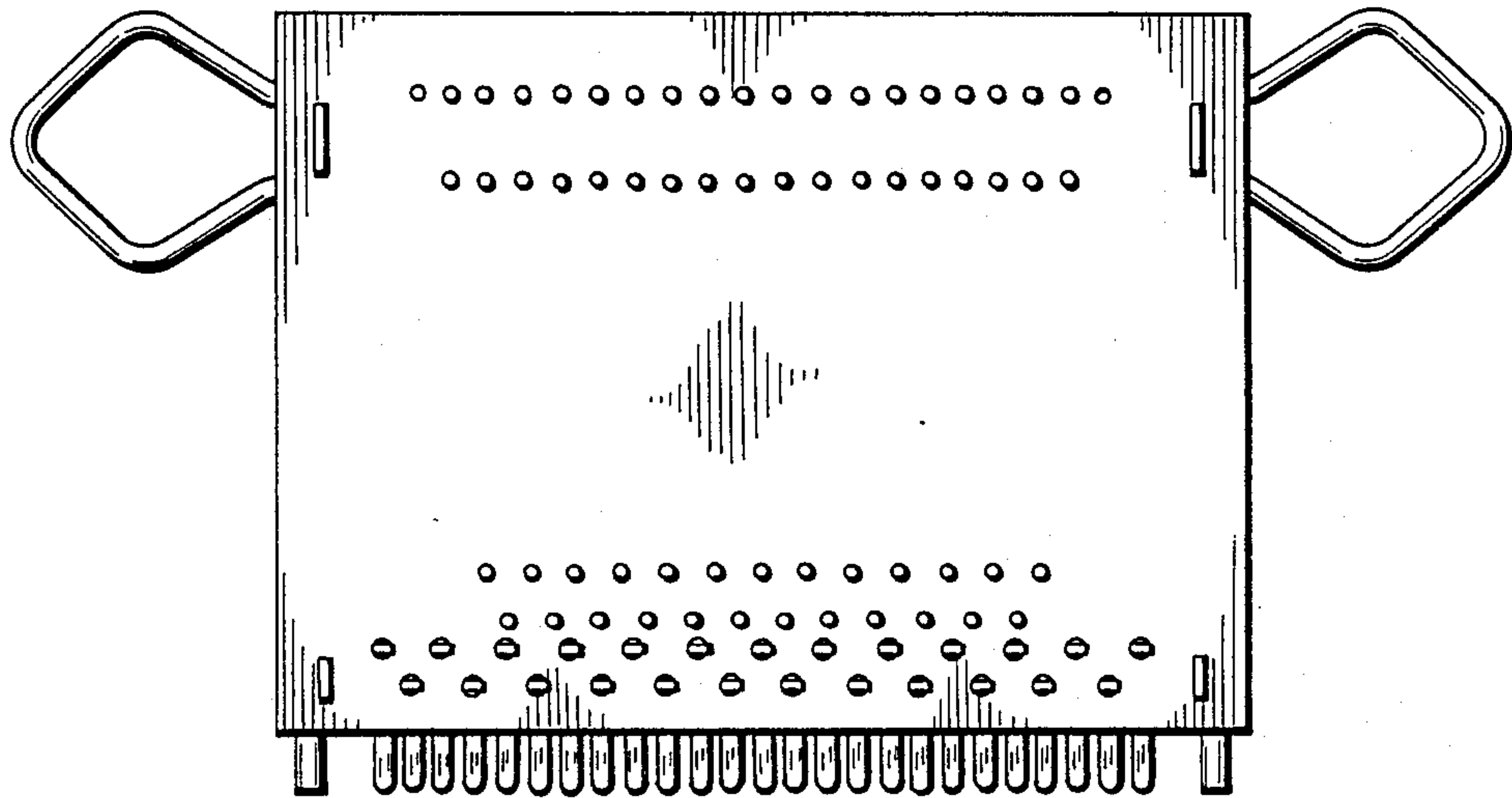


Fig. 3

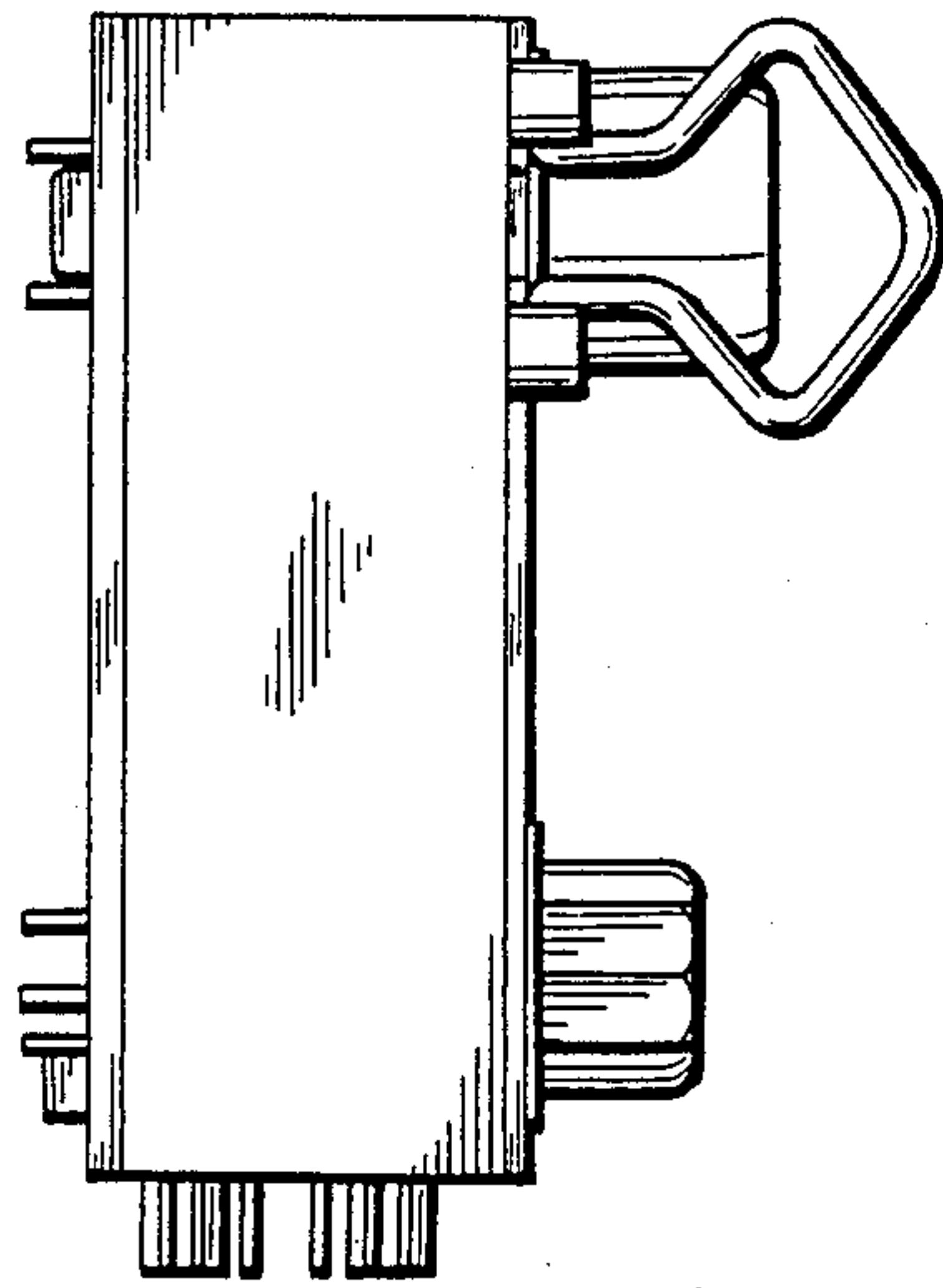


Fig. 4

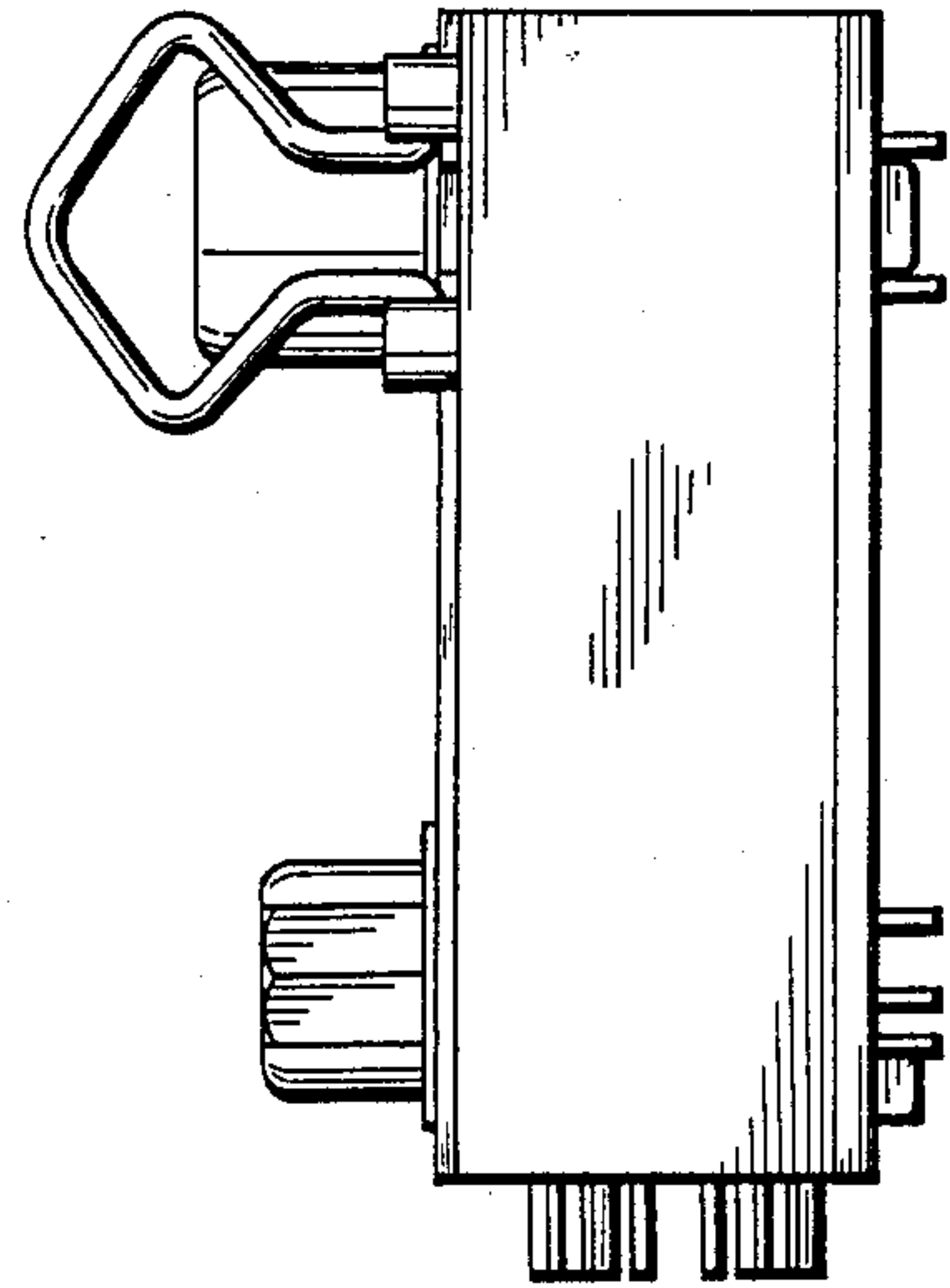


Fig. 5

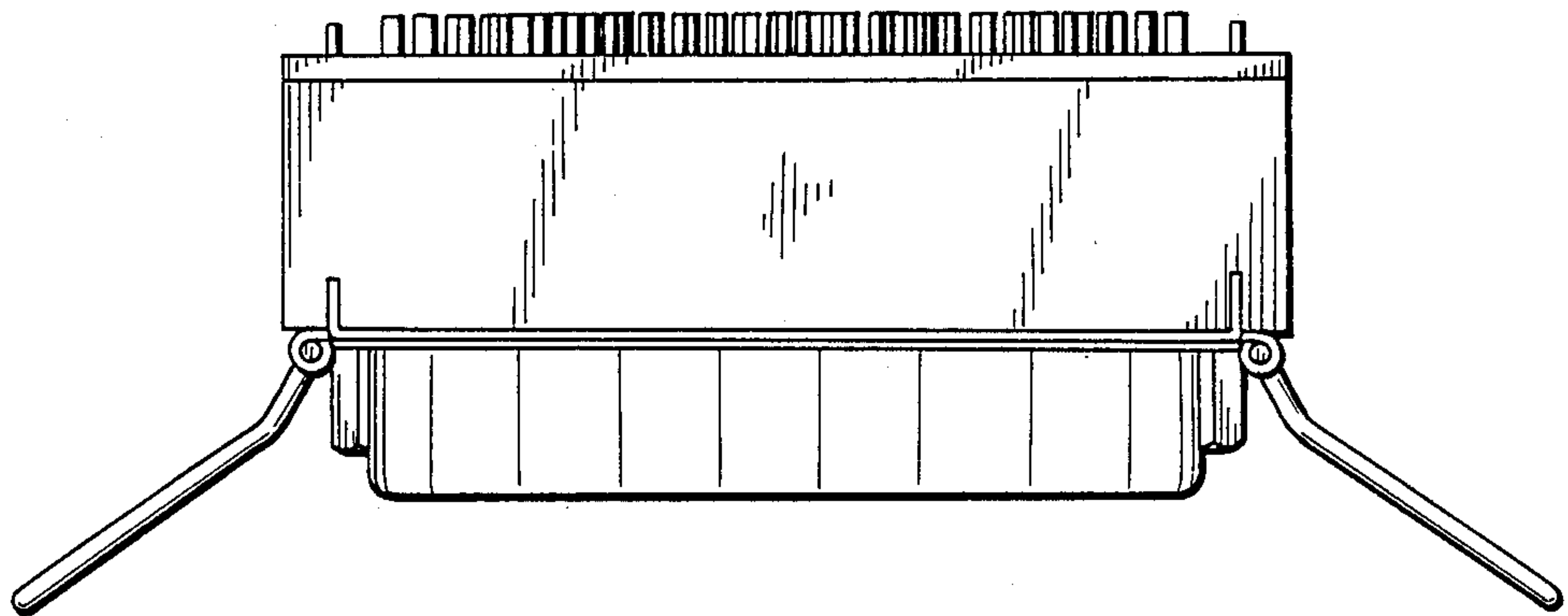


Fig. 6

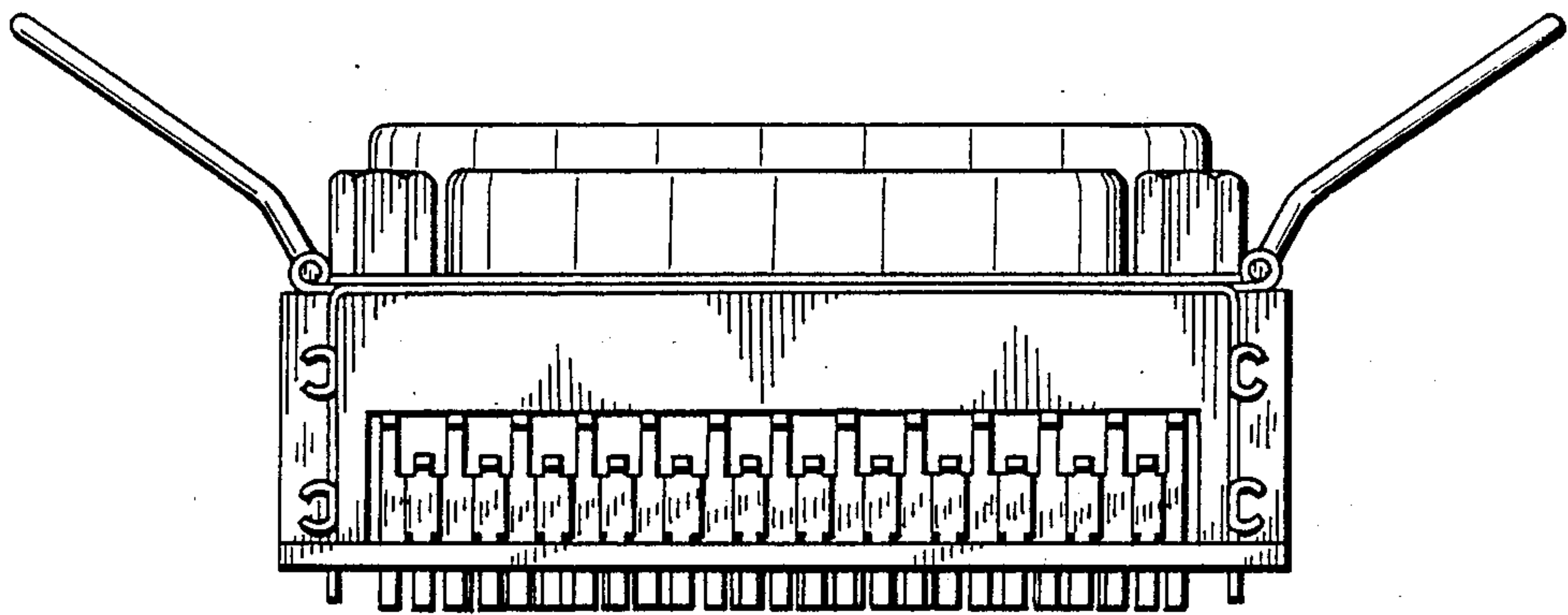
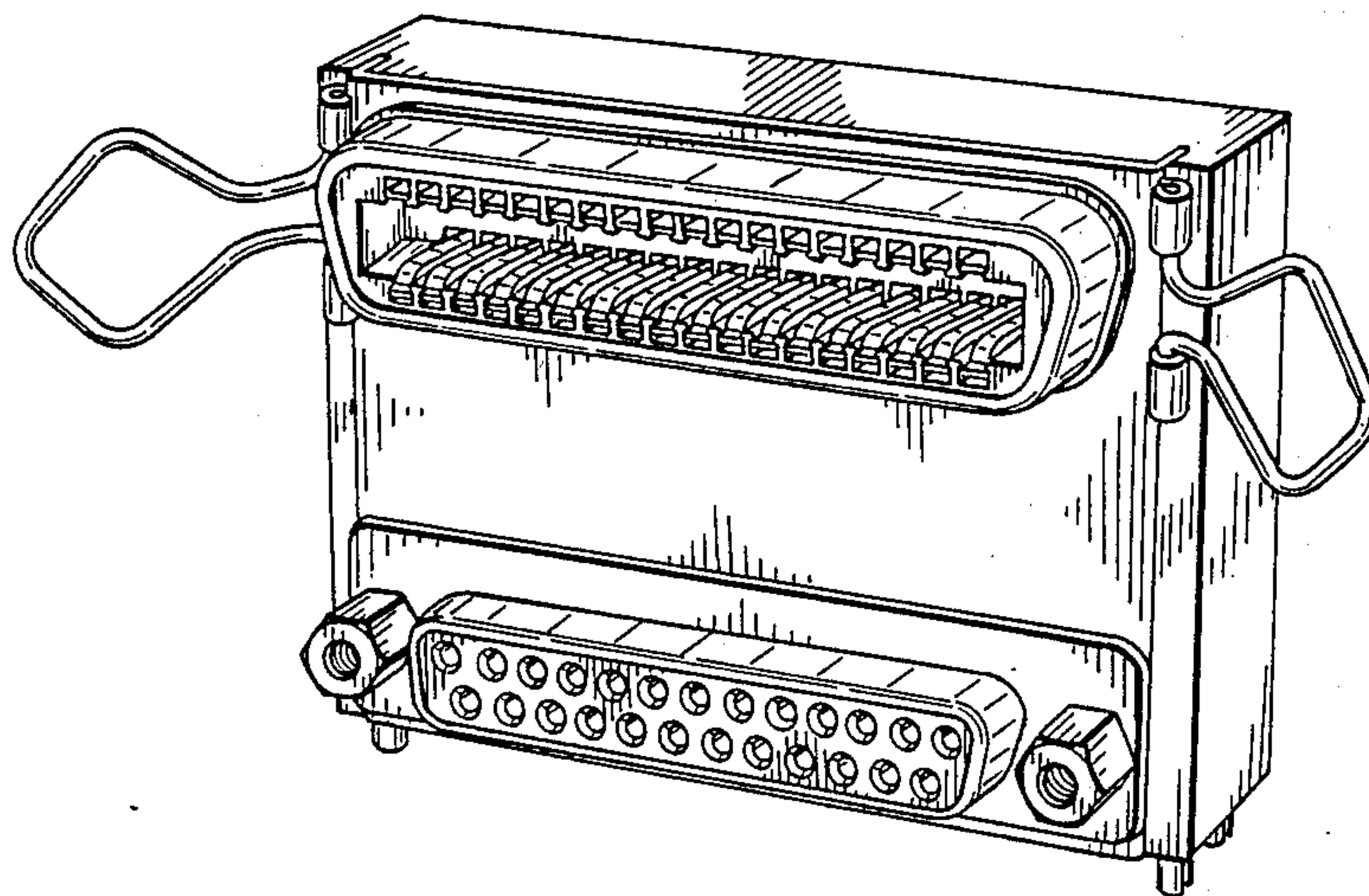


Fig. 7



B12