

[54] STEERING WHEEL

[75] Inventors: Gregory S. Breiding, Columbus; Eugene G. Bruns, Maria Stein, both of Ohio

[73] Assignee: Crown Equipment Corporation, New Bremen, Ohio

[\*\*] Term: 14 Years

[21] Appl. No.: 116,139

[22] Filed: Nov. 2, 1987

[52] U.S. Cl. .... D12/176

[58] Field of Search ..... D12/175, 176; 74/552

[56] References Cited

U.S. PATENT DOCUMENTS

2,204,070 6/1940 Crockett ..... 74/552  
4,118,455 10/1978 Byrn ..... 74/552

OTHER PUBLICATIONS

J. C. Whitney catalog, No. 423B, ©1982, p. 94, Custom Style Steering Wheel, C, bottom right side of page.

Primary Examiner—James M. Gandy  
Attorney, Agent, or Firm—Biebel, French & Nauman

[57] CLAIM

The ornamental design for a steering wheel, as shown and described.

DESCRIPTION

FIG. 1 is a front elevational view of a steering wheel showing our new design.

FIG. 2 is a side elevational view thereof, the opposite side being a mirror image of that shown.

FIG. 3 is a rear elevational view thereof.

FIG. 4 is a bottom plan view thereof.

FIG. 5 is an enlarged cross-sectional view taken along line 5—5 in FIG. 1.

FIG. 6 is an enlarged cross-sectional view taken along line 6—6 in FIG. 5.

FIG. 7 is an enlarged cross-sectional view taken along line 7—7 in FIG. 1.

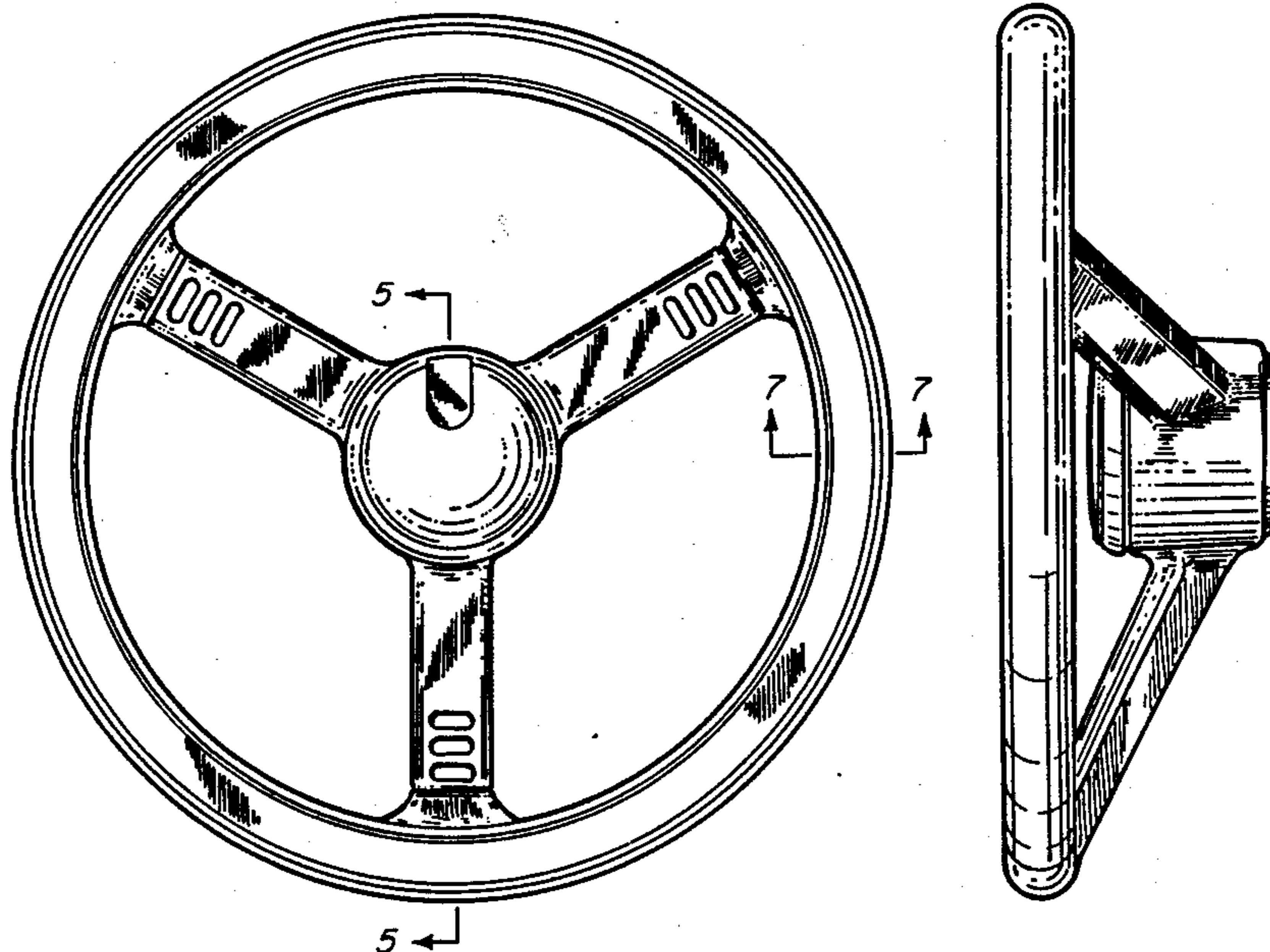


FIG-1

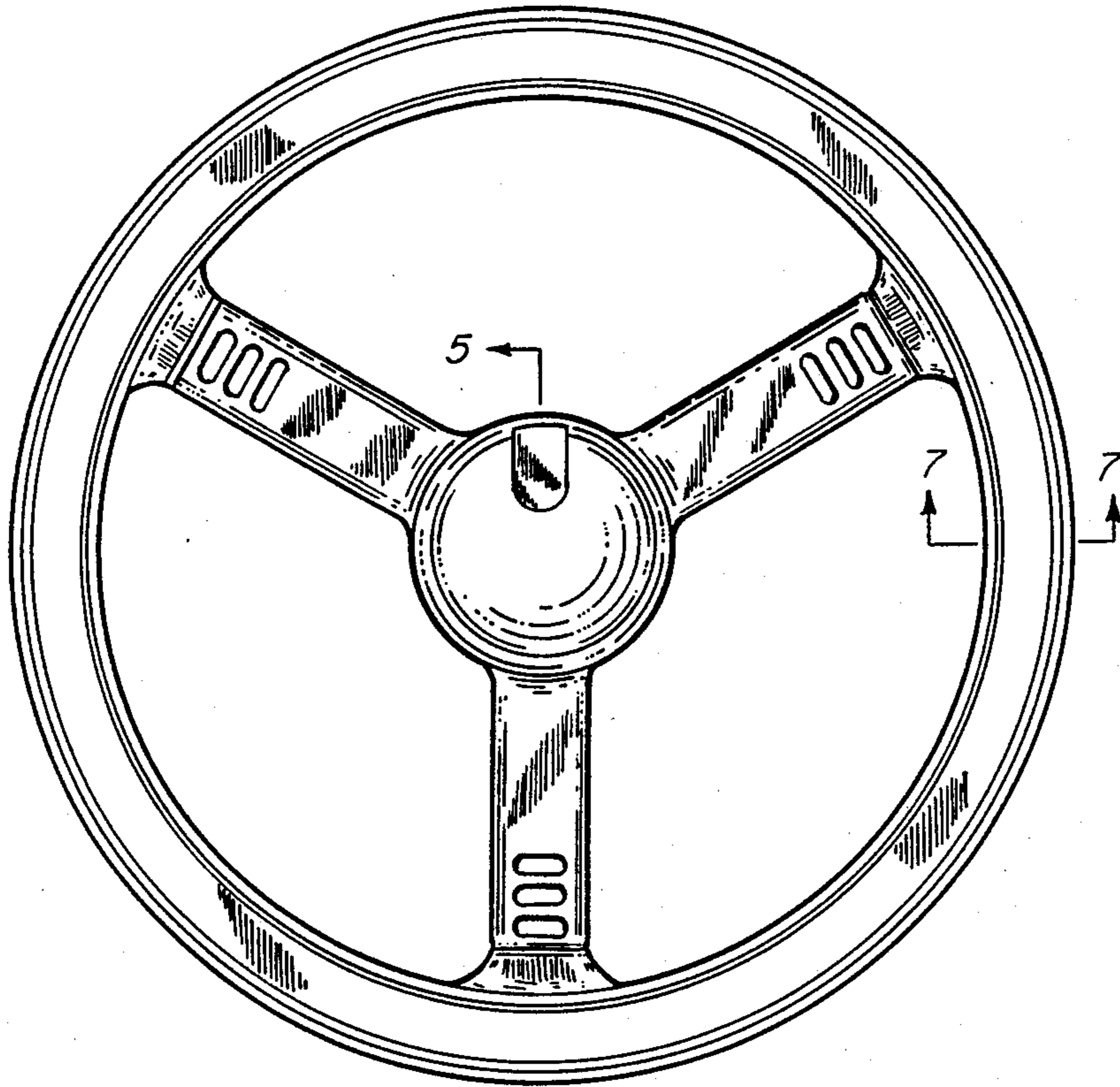


FIG-2

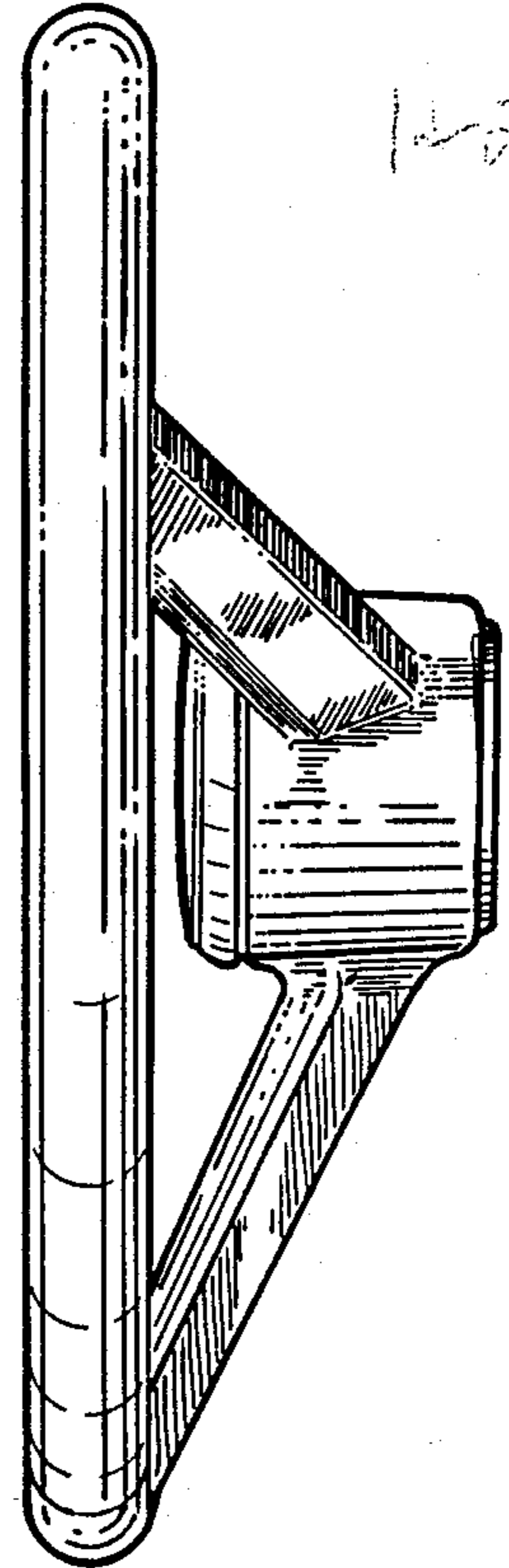


FIG-3

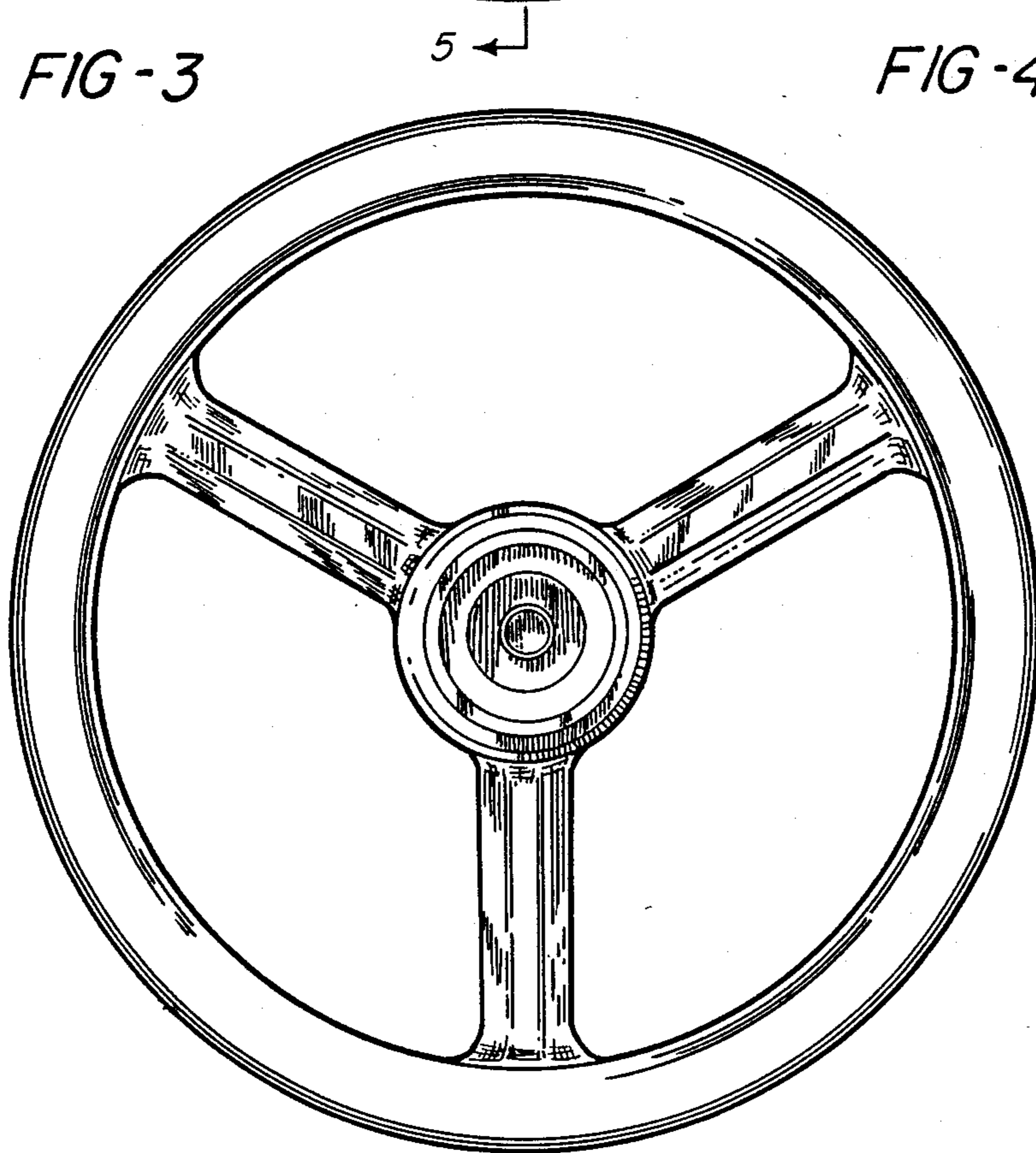


FIG-4

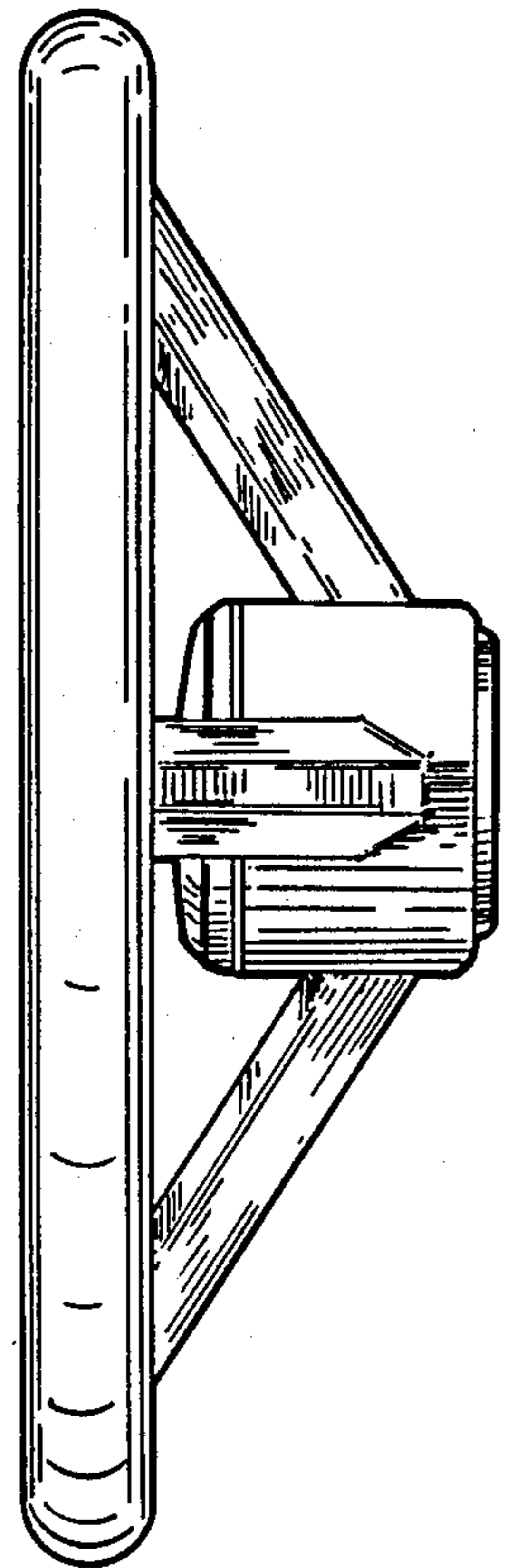


FIG-5

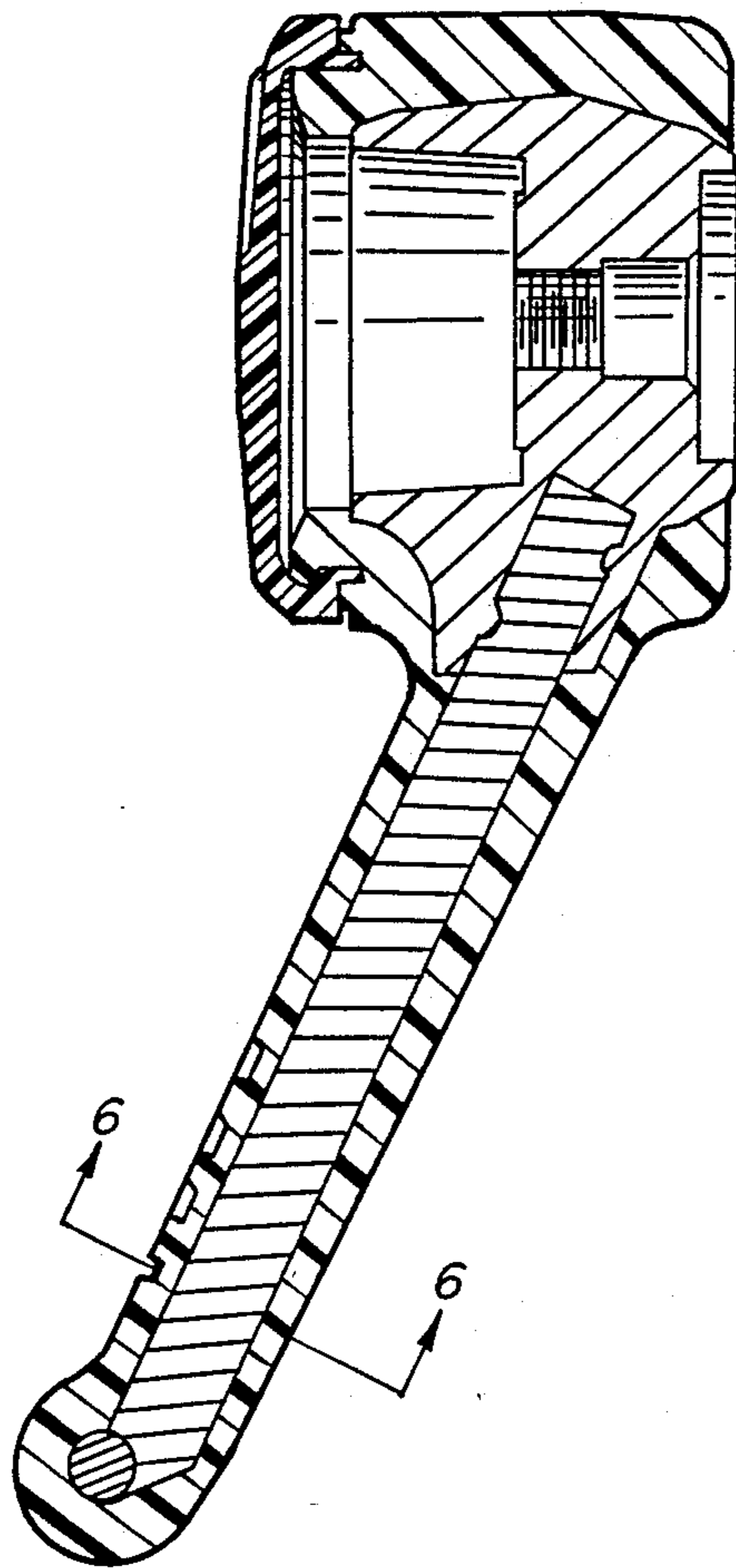


FIG-6

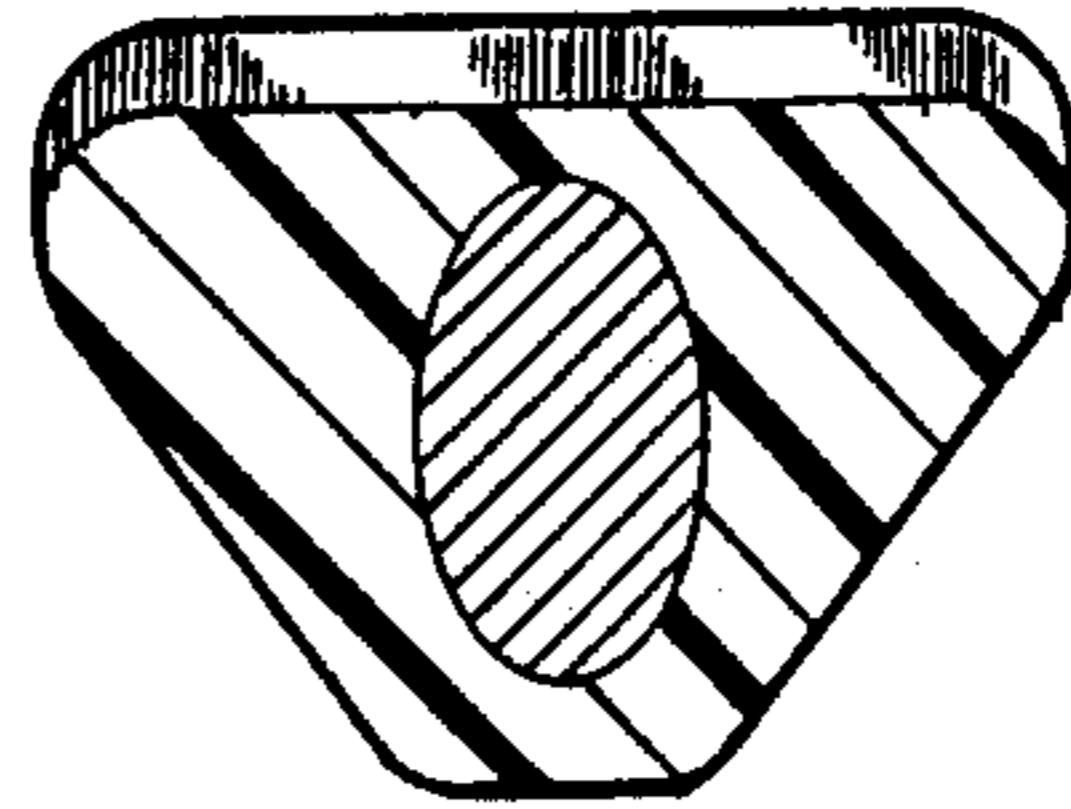


FIG-7

