

[54] BABY STROLLER

4,828,278 5/1989 Nakao et al. 280/650

[75] Inventors: Shinroku Nakao, Kanagawa;
Yoshiyasu Ishii; Hiroaki Matsuda,
both of Tokyo, all of Japan

FOREIGN PATENT DOCUMENTS

258826 3/1988 European Pat. Off. 280/642

[73] Assignee: Combi Co., Ltd., Tokyo, Japan

Primary Examiner—Wallace R. Burke
Assistant Examiner—Kay H. Chin
Attorney, Agent, or Firm—Sughrue, Mion, Zinn,
Macpeak & Seas

[**] Term: 14 Years

[21] Appl. No.: 19,713

[57] CLAIM

[22] Filed: Feb. 27, 1987

The ornamental design for a baby stroller, as shown and described.

[30] Foreign Application Priority Data

Nov. 14, 1986 [JP] Japan 61-44844
[52] U.S. Cl. D12/129
[58] Field of Search D12/129, 128; 280/642,
280/644, 647, 650, 658, 42, 47.38; 297/45, 39

DESCRIPTION

FIG. 1 is a front, and a right side perspective view of a baby stroller showing our new design;
FIG. 2 is a front elevational view thereof;
FIG. 3 is a rear elevational view thereof;
FIG. 4 is a top plan view thereof;
FIG. 5 is a bottom plan view thereof;
FIG. 6 is a left side elevational view thereof;
FIG. 7 is a right side elevational view thereof;
FIG. 8 is a rear and a right side perspective view thereof with a foldable basket in a closed position;
FIG. 9 is a front and right side perspective thereof in a folded condition.

[56] References Cited

U.S. PATENT DOCUMENTS

D. 254,906 5/1980 Nakao et al. D12/129
D. 293,661 1/1988 Nakao et al. D12/129
D. 298,925 12/1988 Nakao et al. D12/129
4,462,607 7/1984 Nakao et al. 280/650
4,632,420 12/1986 Miyagi 280/642
4,763,919 8/1988 Nakao et al. 280/658

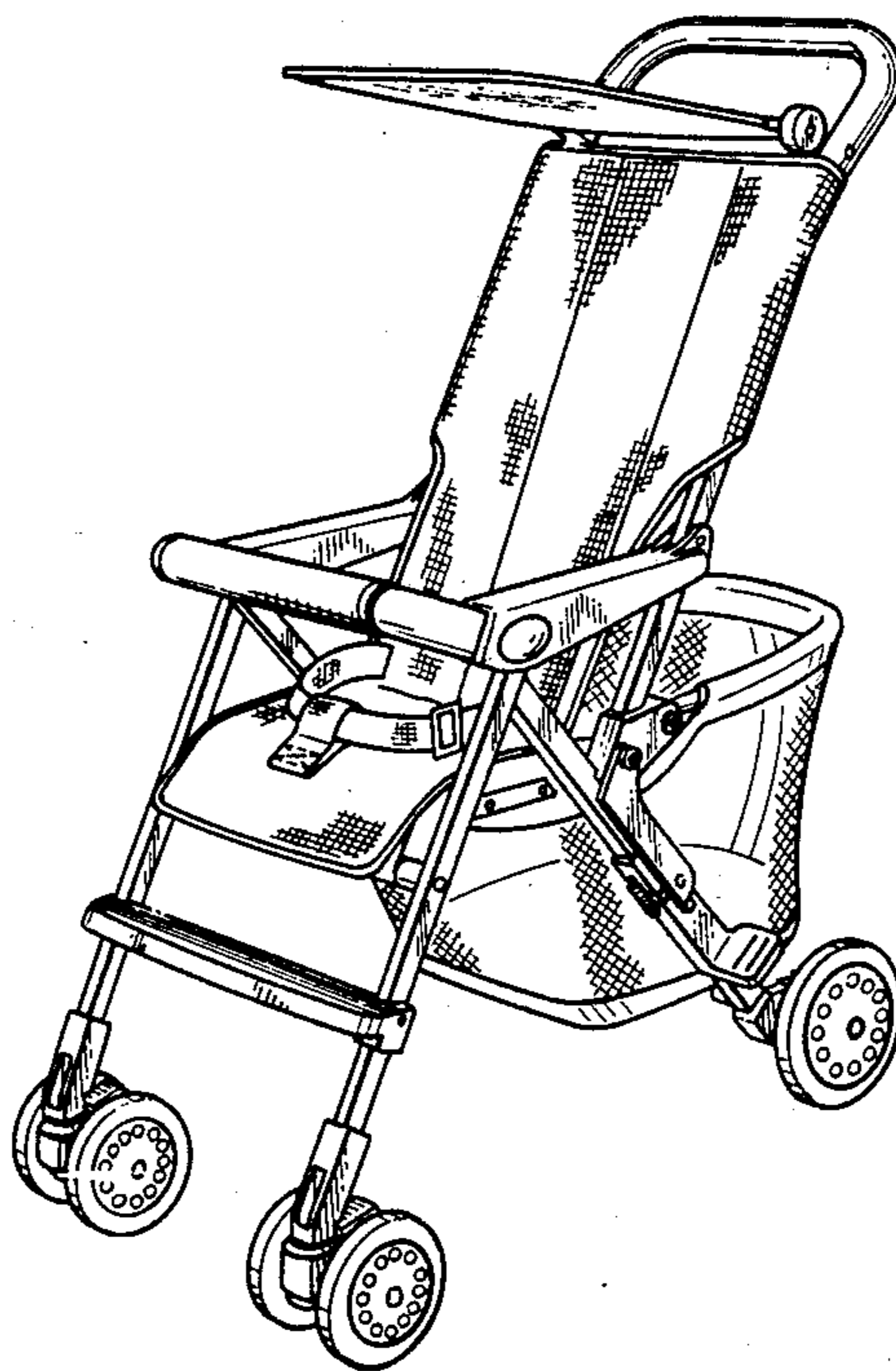


Fig. 1

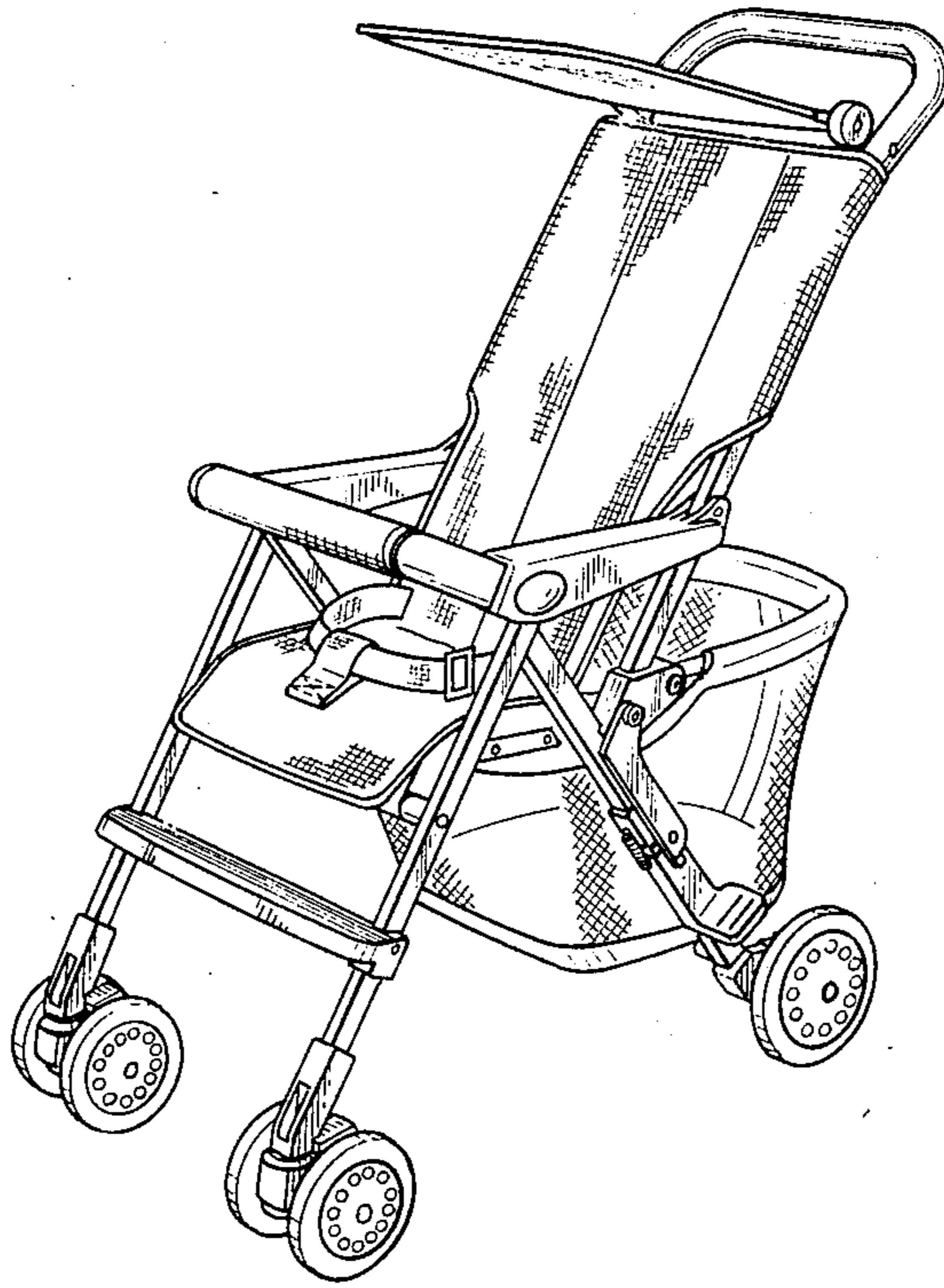


Fig. 2

Fig. 3

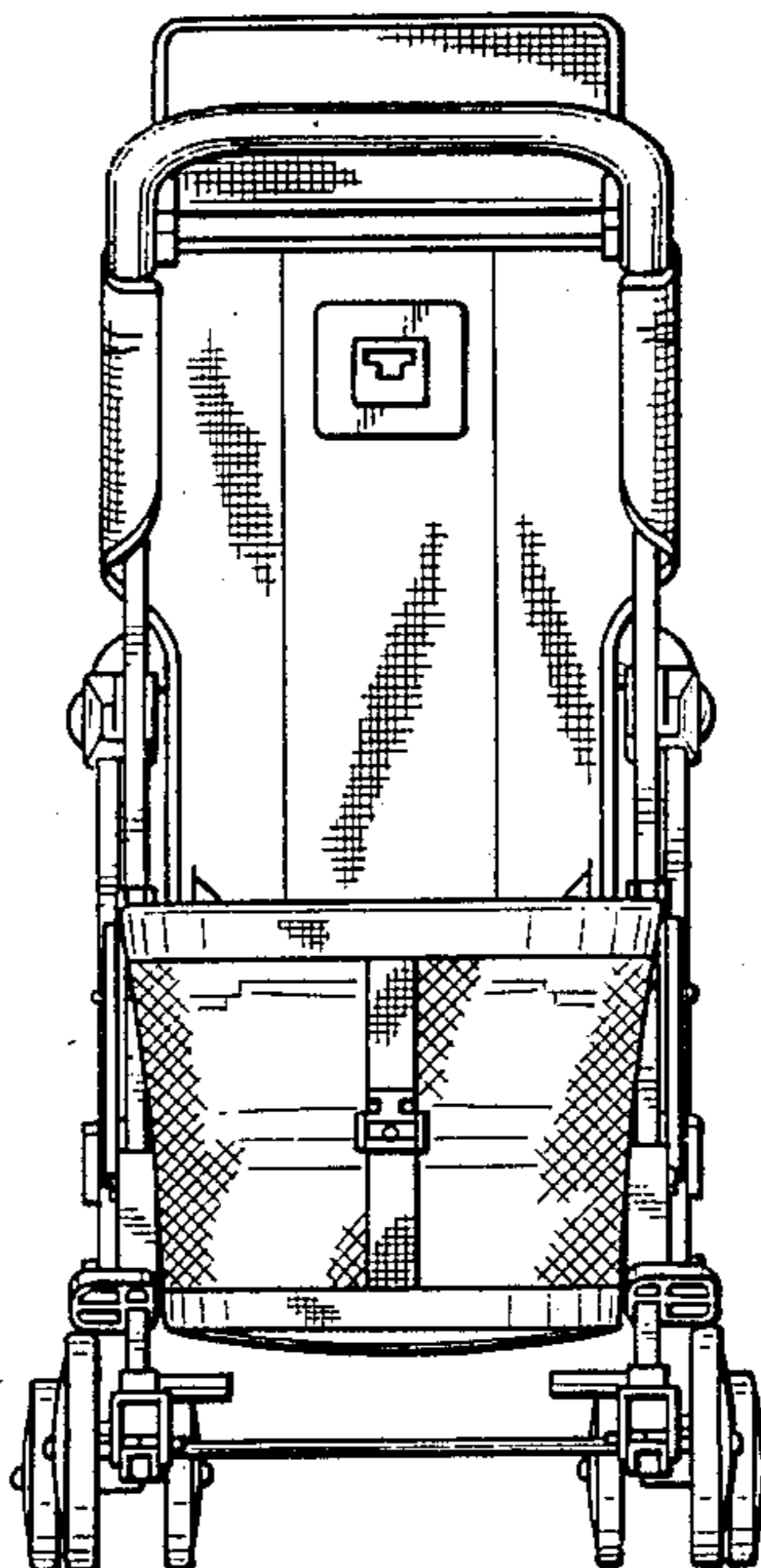
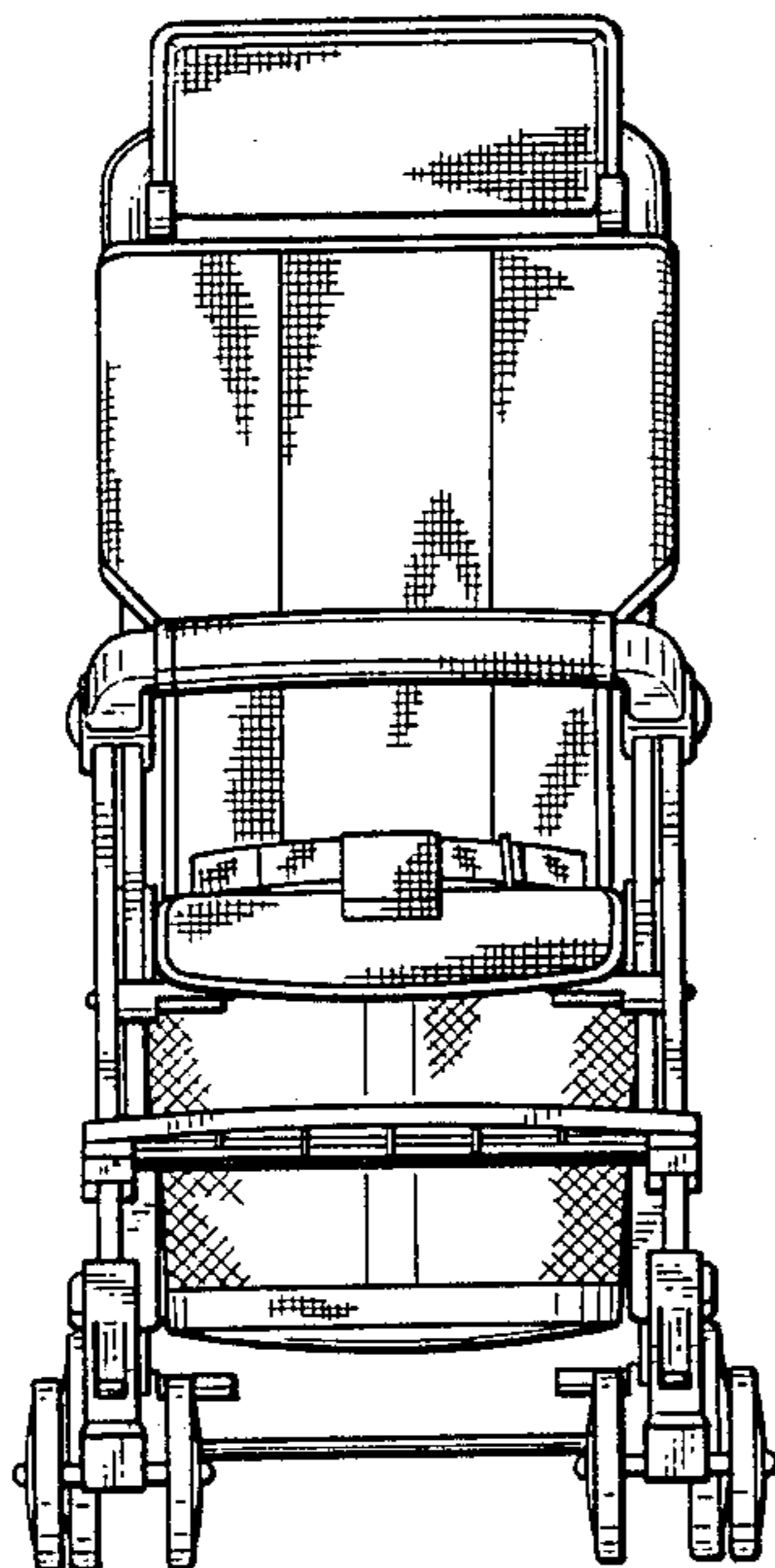


Fig. 4

Fig. 5

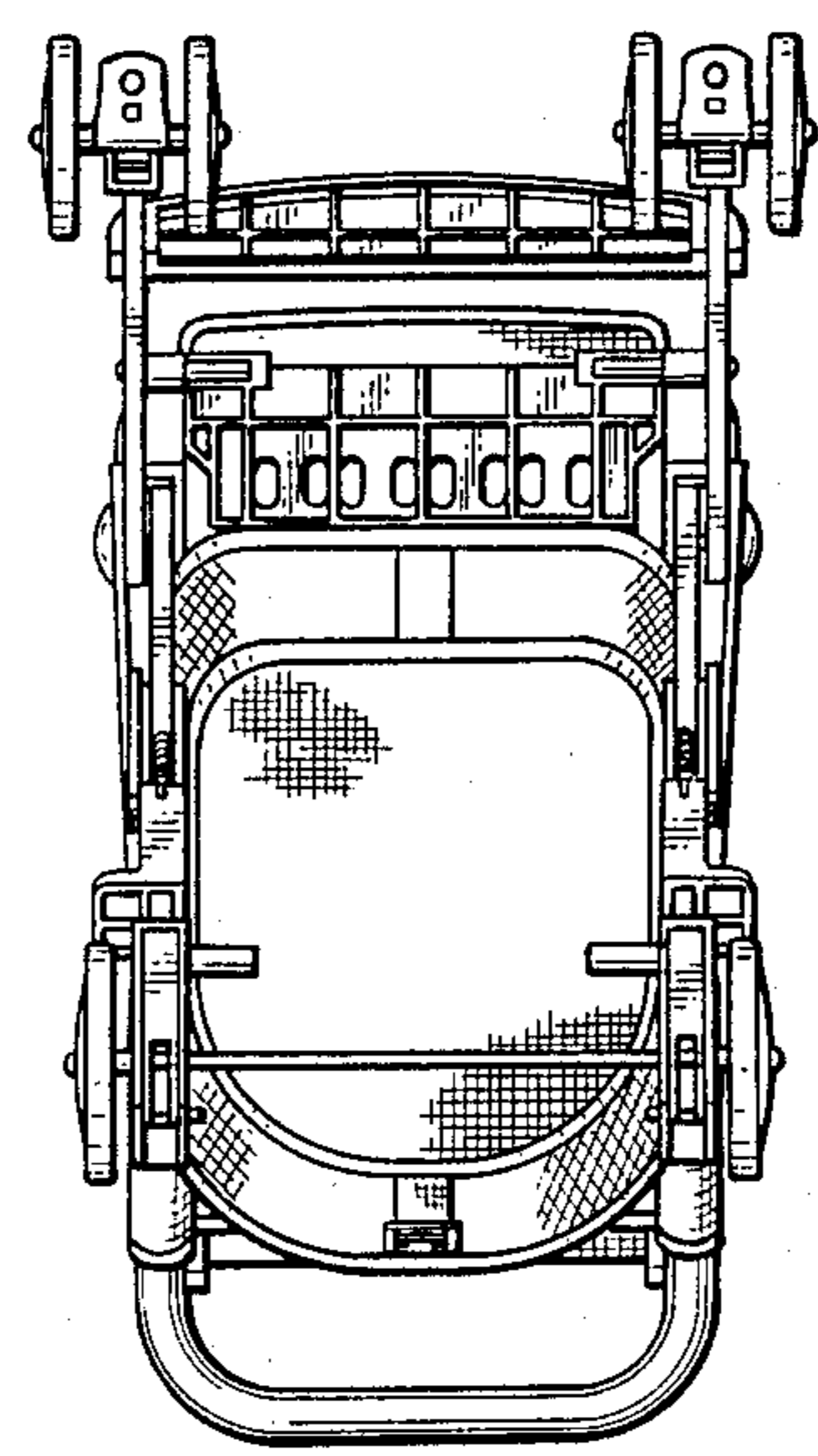
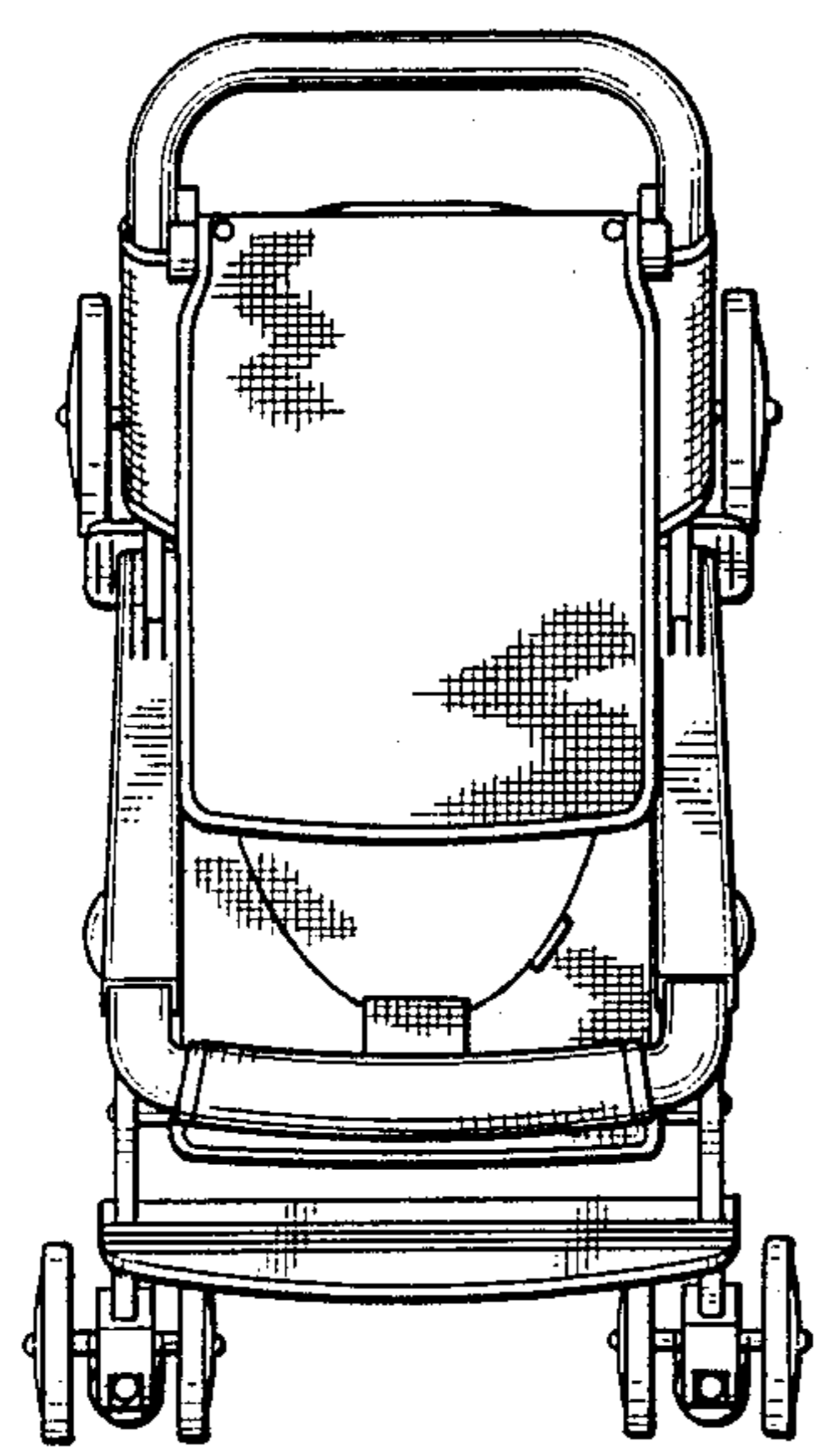


Fig. 6

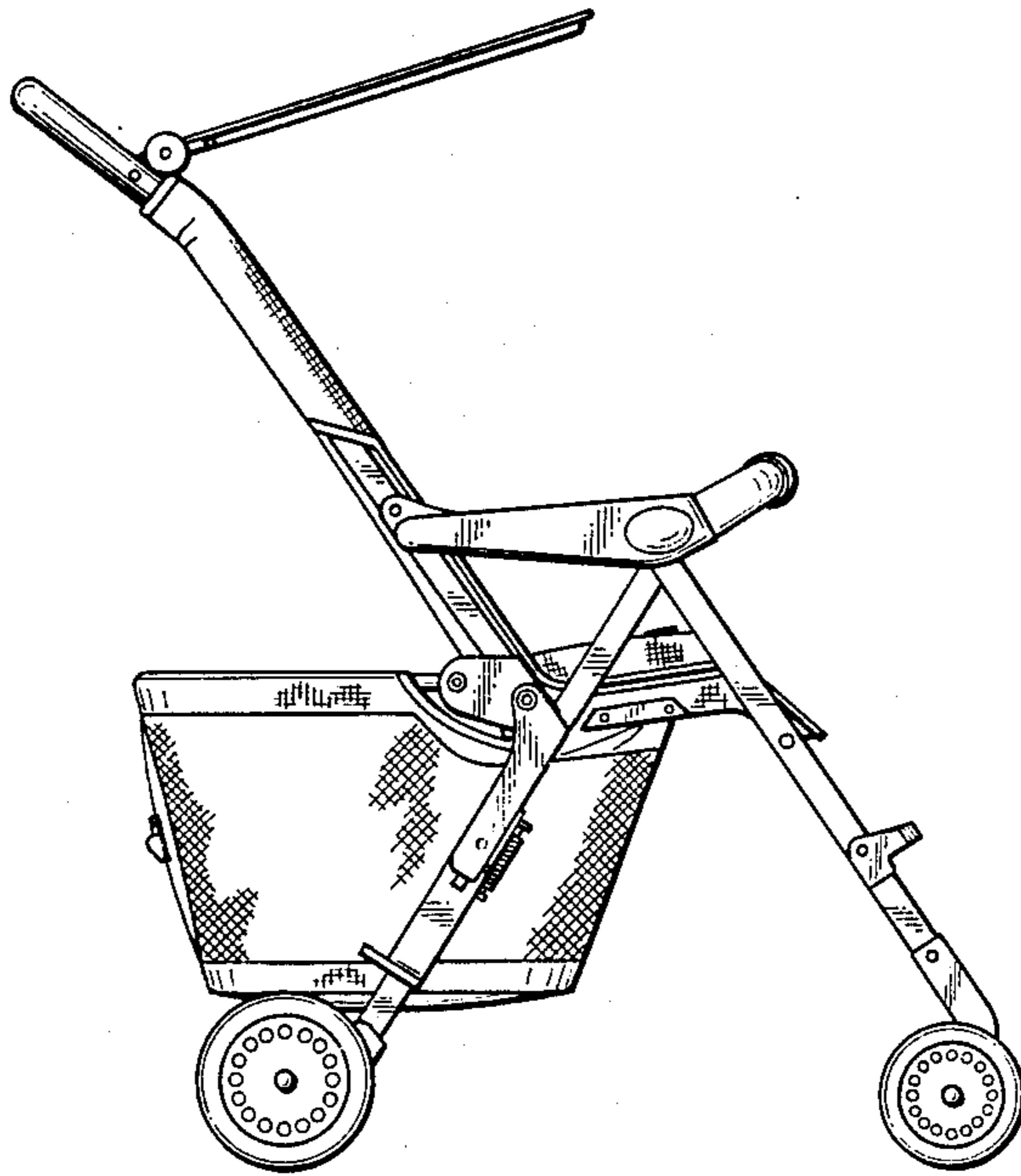


Fig. 7

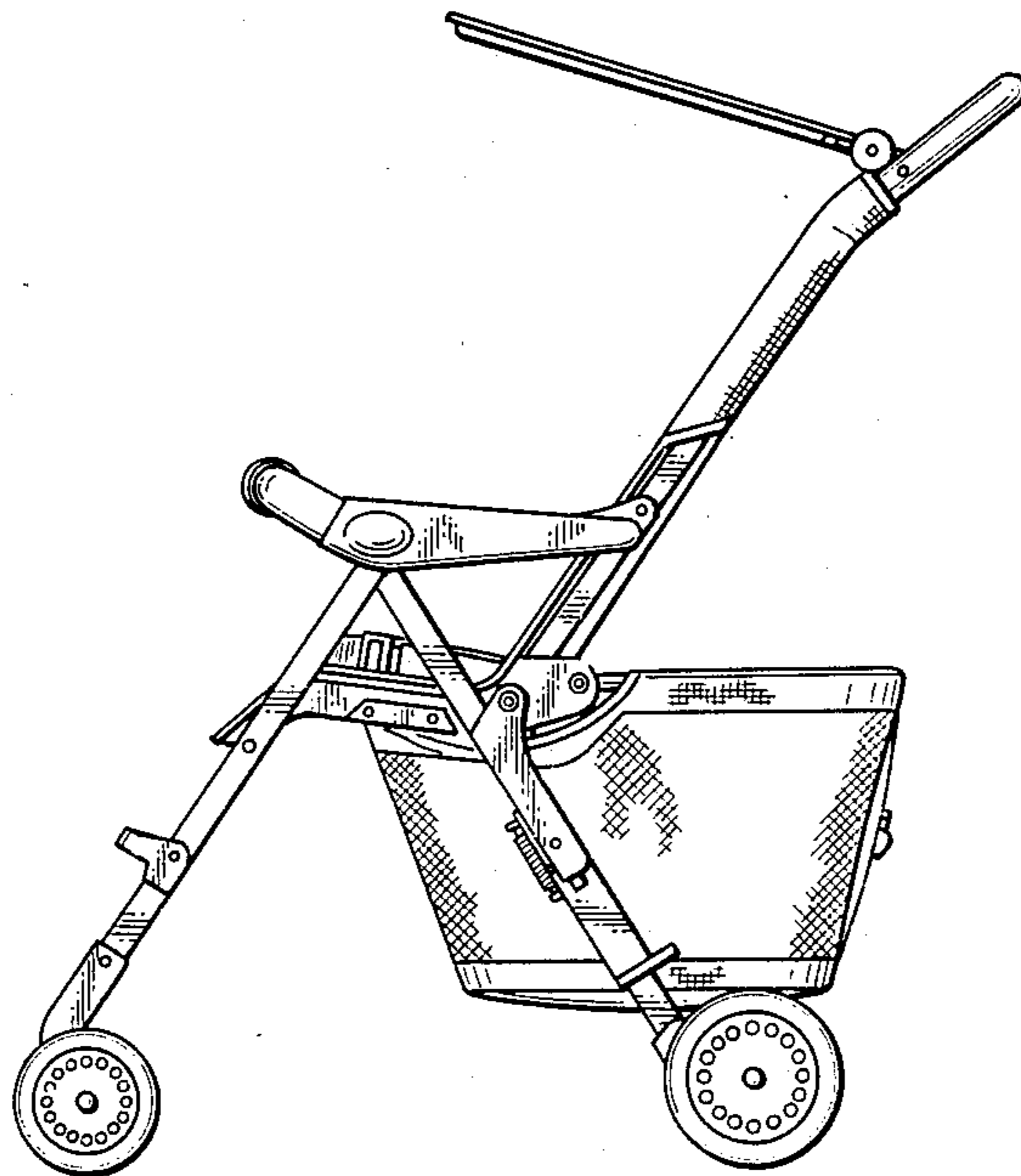


Fig. 8

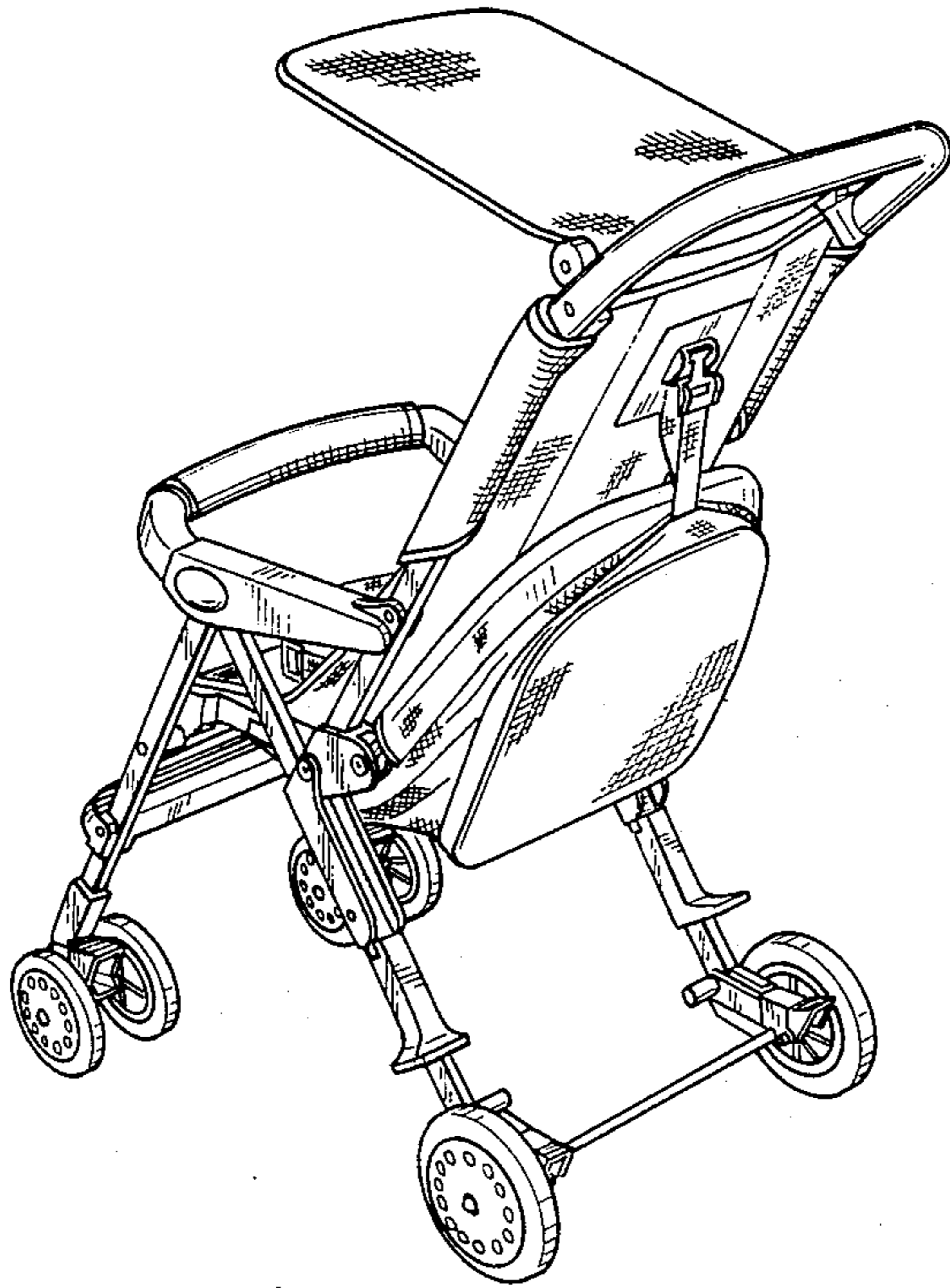


Fig. 9

