

[54] DESK TOP MONITOR AND CONTROL UNIT FOR A TELEVISION SURVEILLANCE SYSTEM

[75] Inventor: Donald N. Horn, Cold Spring Harbor, N.Y.

[73] Assignee: Vicon Industries, Melville, N.Y.

[**] Term: 14 Years

[21] Appl. No.: 923,721

[22] Filed: Oct. 24, 1986

[52] U.S. Cl. D10/106

[58] Field of Search D10/104, 106, 116, 118, D10/121; 340/521, 540-546, 555, 556, 557, 565-578, 584; D14/124, 125, 126, 154; D18/7

[56] References Cited

U.S. PATENT DOCUMENTS

D. 283,406 4/1986 Green, Jr. D10/106
4,525,746 6/1985 Mangold et al. 358/254

4,528,597 7/1985 Klein et al. 358/254
4,646,158 2/1987 Ohno et al. 358/254

Primary Examiner—Wallace R. Burke
Assistant Examiner—Marcus Jackson
Attorney, Agent, or Firm—Darby & Darby

[57] CLAIM

The ornamental design for a desk top monitor and control unit for a television surveillance system, and shown and described.

DESCRIPTION

FIG. 1 is a perspective view of a desk top monitor and control unit for a television surveillance system showing my new design.

FIG. 2 is a top plan view thereof;
FIG. 3 is a front elevational view thereof;
FIG. 4 is a left side elevational view thereof;
FIG. 5 is a right side elevational view thereof;
FIG. 6 is a rear elevational view thereof;
FIG. 7 is a bottom plan view thereof.

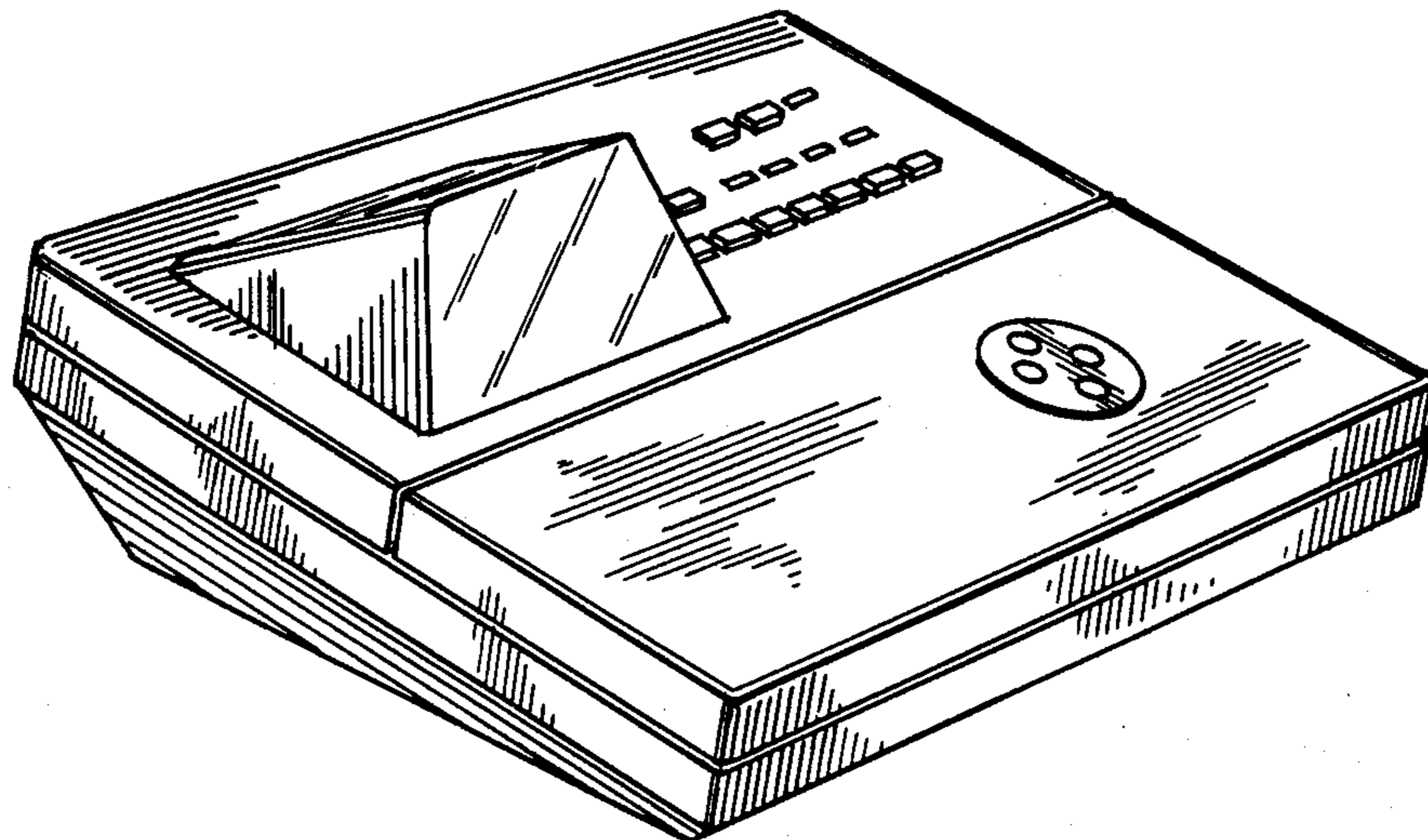
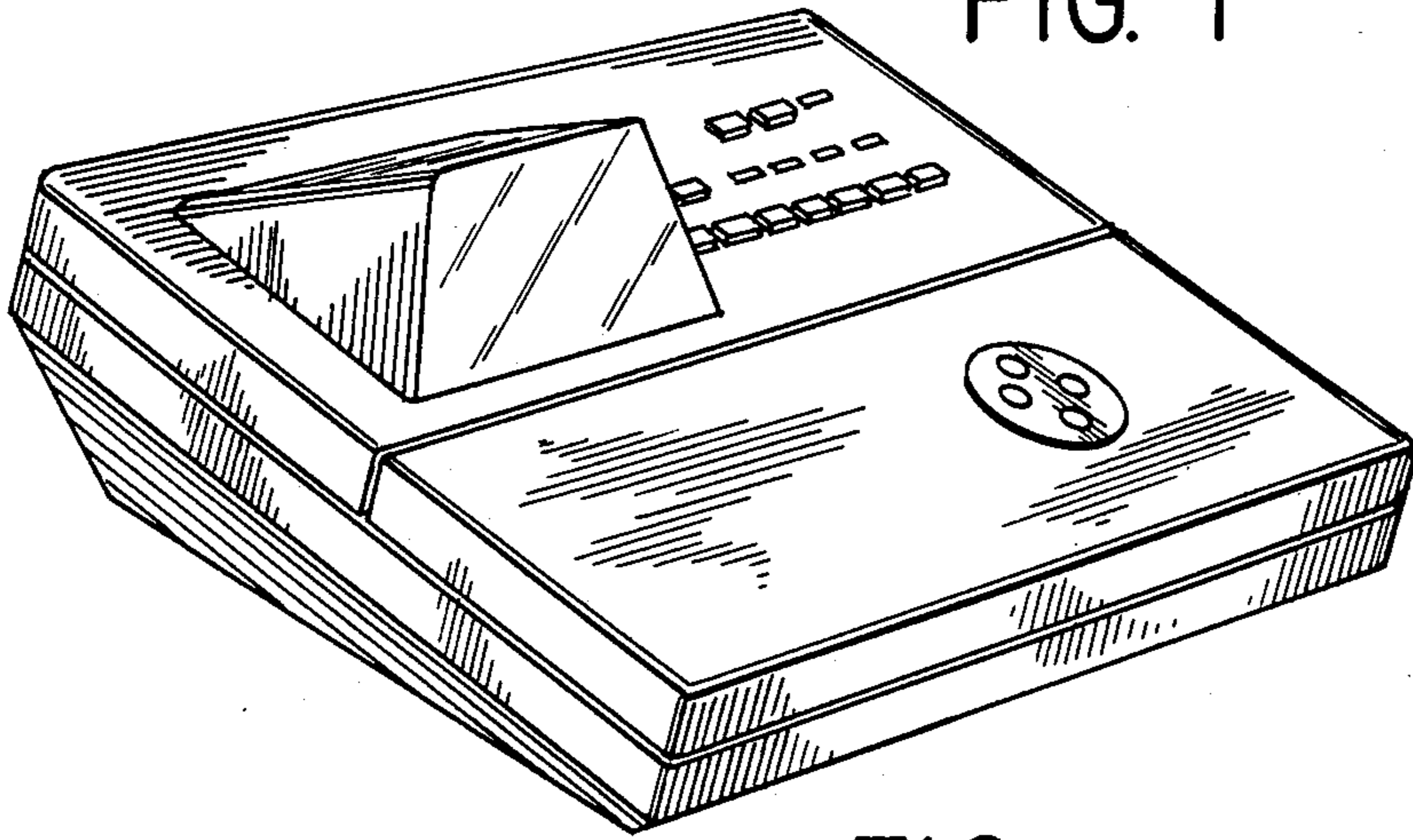


FIG. 1



B12

FIG. 2

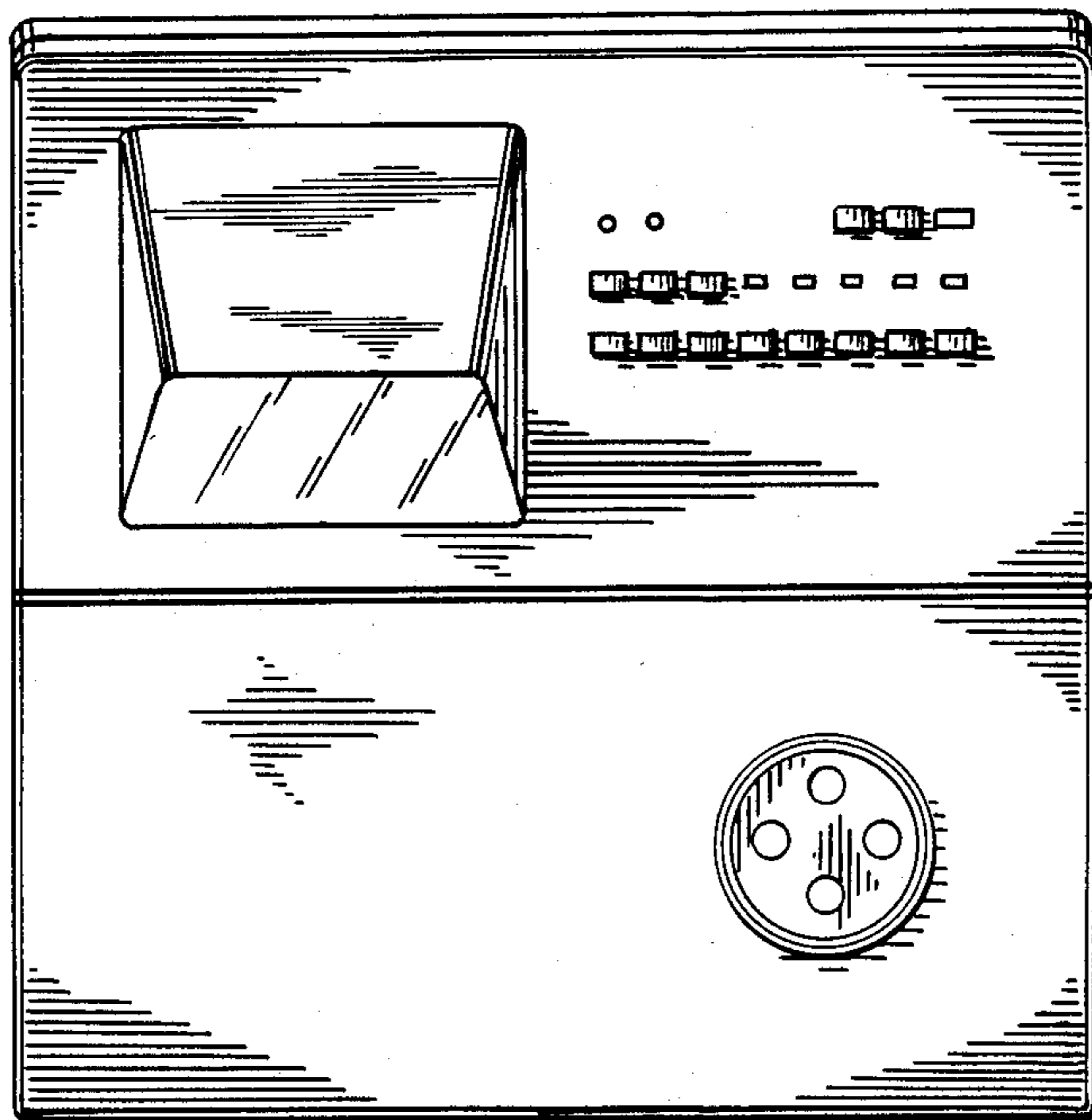


FIG. 3

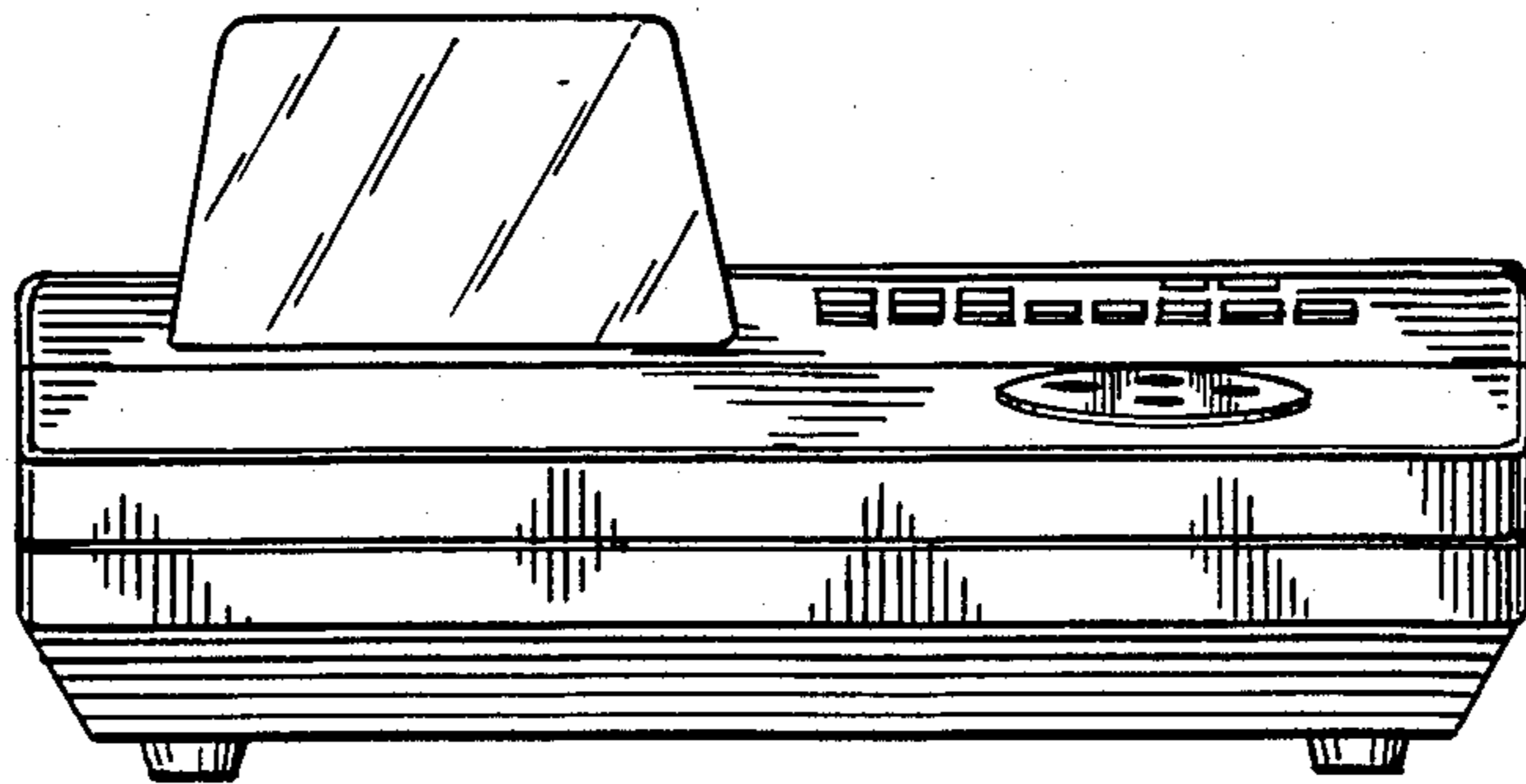


FIG. 4

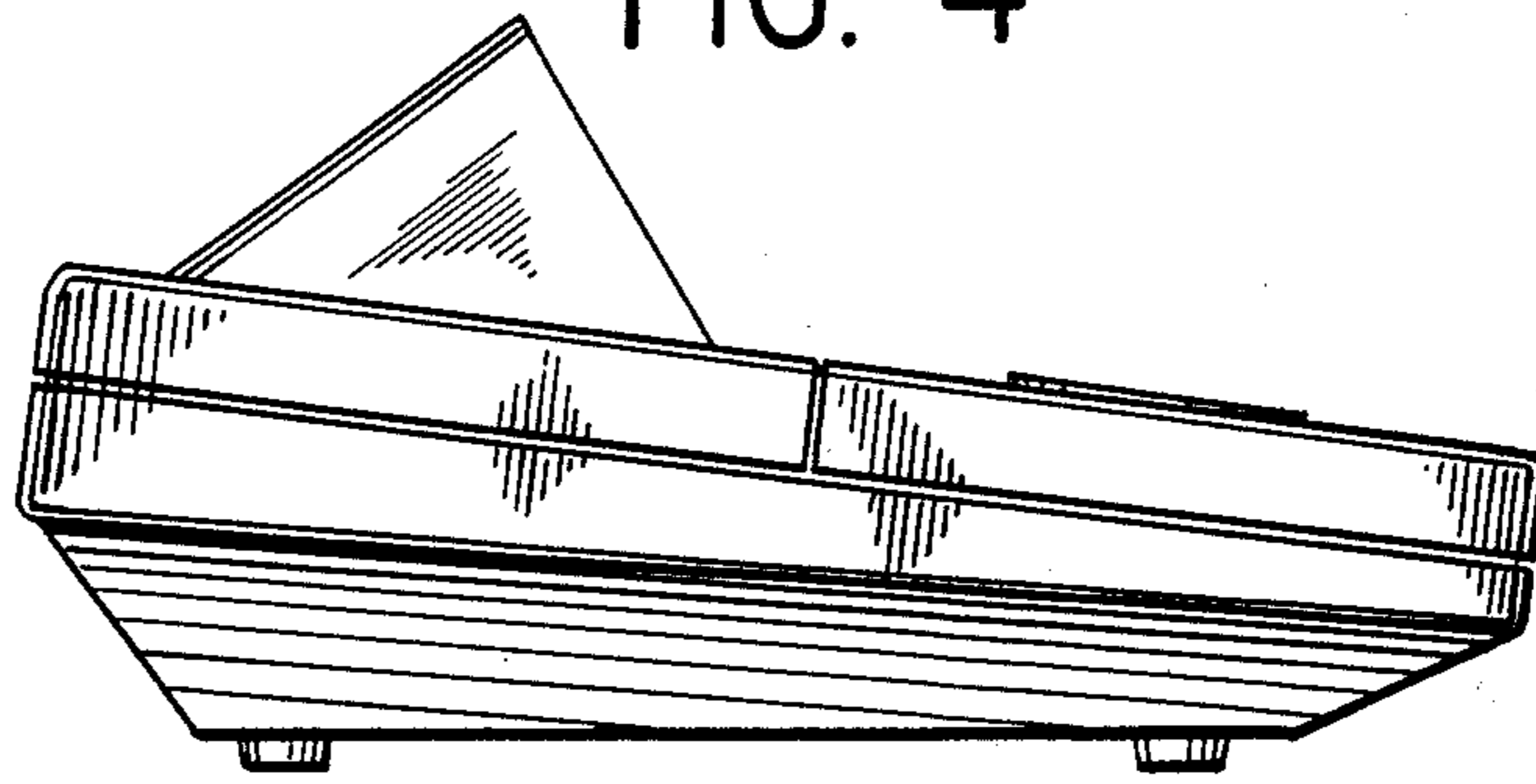


FIG. 5

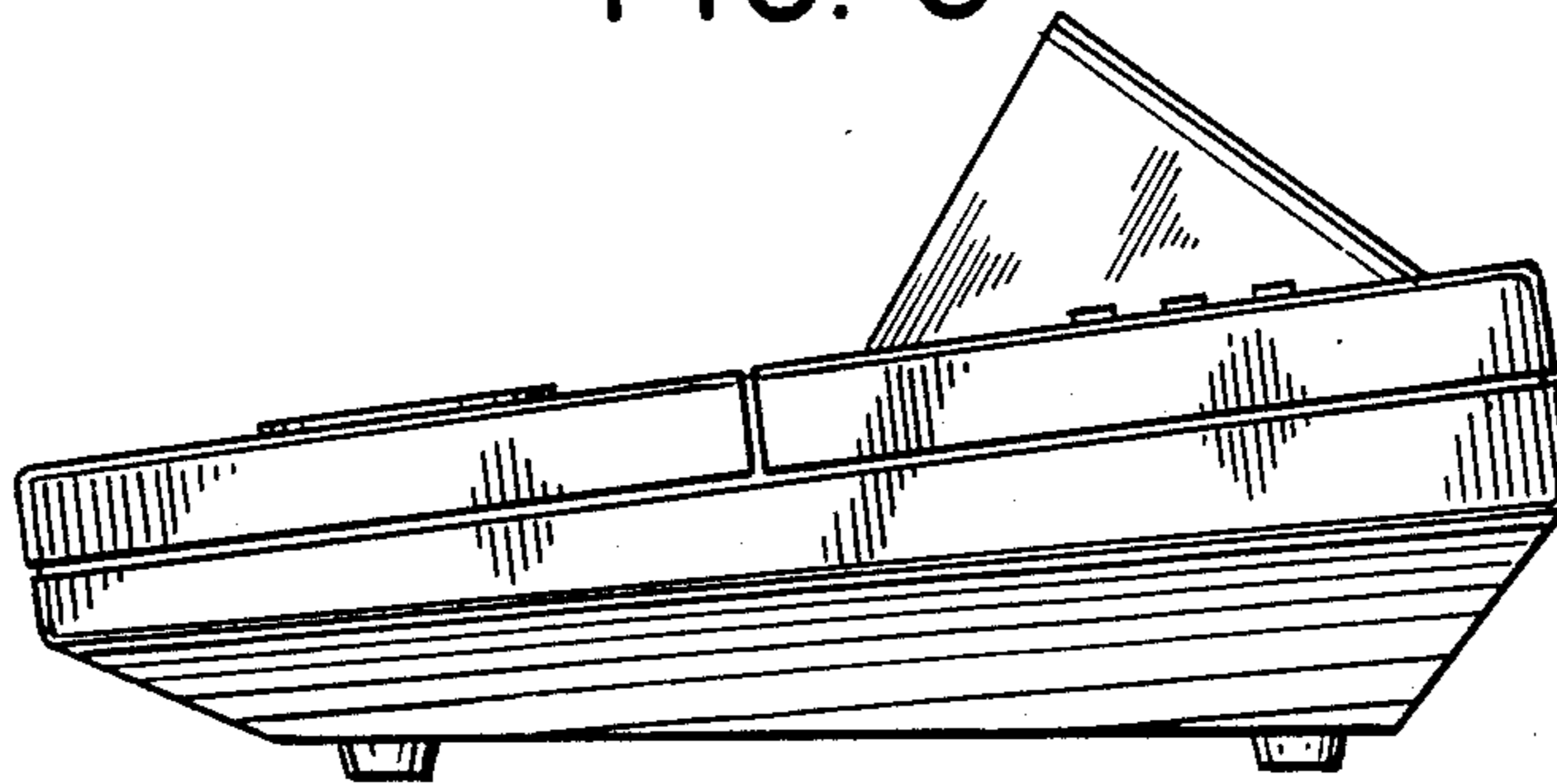


FIG. 6

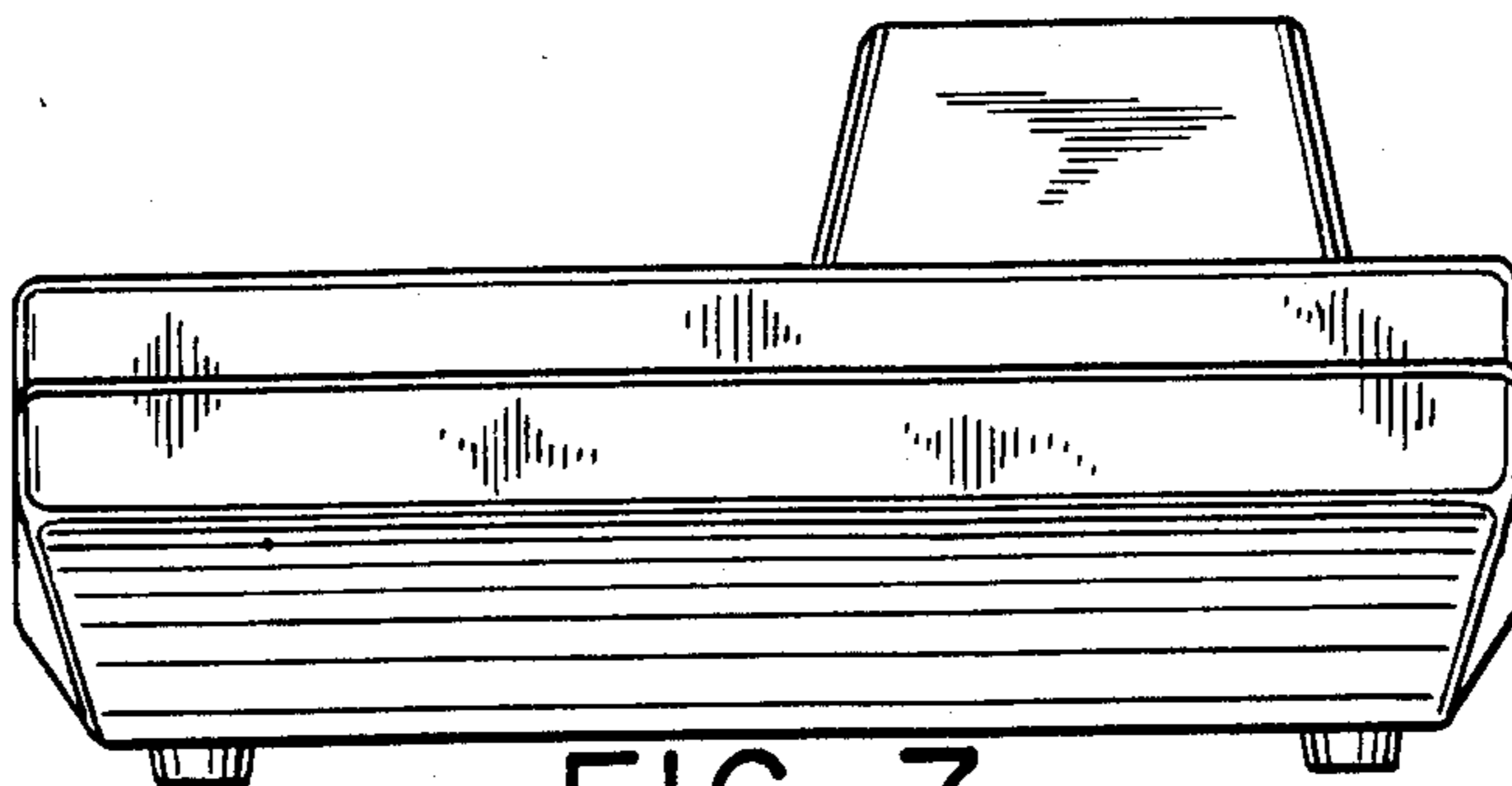


FIG. 7

