

[54] PLOTTER

[75] Inventors: Stephen O. Ross, La Jolla; Charles A. Bastyr, San Diego, both of Calif.

[73] Assignee: Enter Computer, Inc., San Diego, Calif.

[**] Term: 14 Years

[21] Appl. No.: 944,537

[22] Filed: Dec. 22, 1986

[52] U.S. Cl. D10/46

[58] Field of Search D10/46; D14/114, 107; D18/36, 39; 33/1 M, 18.2; 346/29, 112, 145, 146; 400/283

[56] References Cited

U.S. PATENT DOCUMENTS

- D. 228,152 8/1973 Matwey D18/39
- D. 295,613 5/1988 Tanner D10/46

OTHER PUBLICATIONS

Zeta 836 w/Deluxe Stand, Feb. 1985, Publication 065. Hewlett Packard Technical Data, Aug. 1985, front cover.

Benson, 1985 brochure, 1625-S Pen Plotter, Box D10. Cal Comp; Oct. 1986; Design News, vol. 42, p. 180.

Primary Examiner—Nelson G. Holtje
Assistant Examiner—Caron D. Veynar
Attorney, Agent, or Firm—Knobbe, Martens, Olson & Bear

CLAIM

[57] The ornamental design of a plotter, as shown and described.

DESCRIPTION

FIG. 1 is a front perspective view of a plotter showing our new design;

FIG. 2 is a right side elevational view thereof;

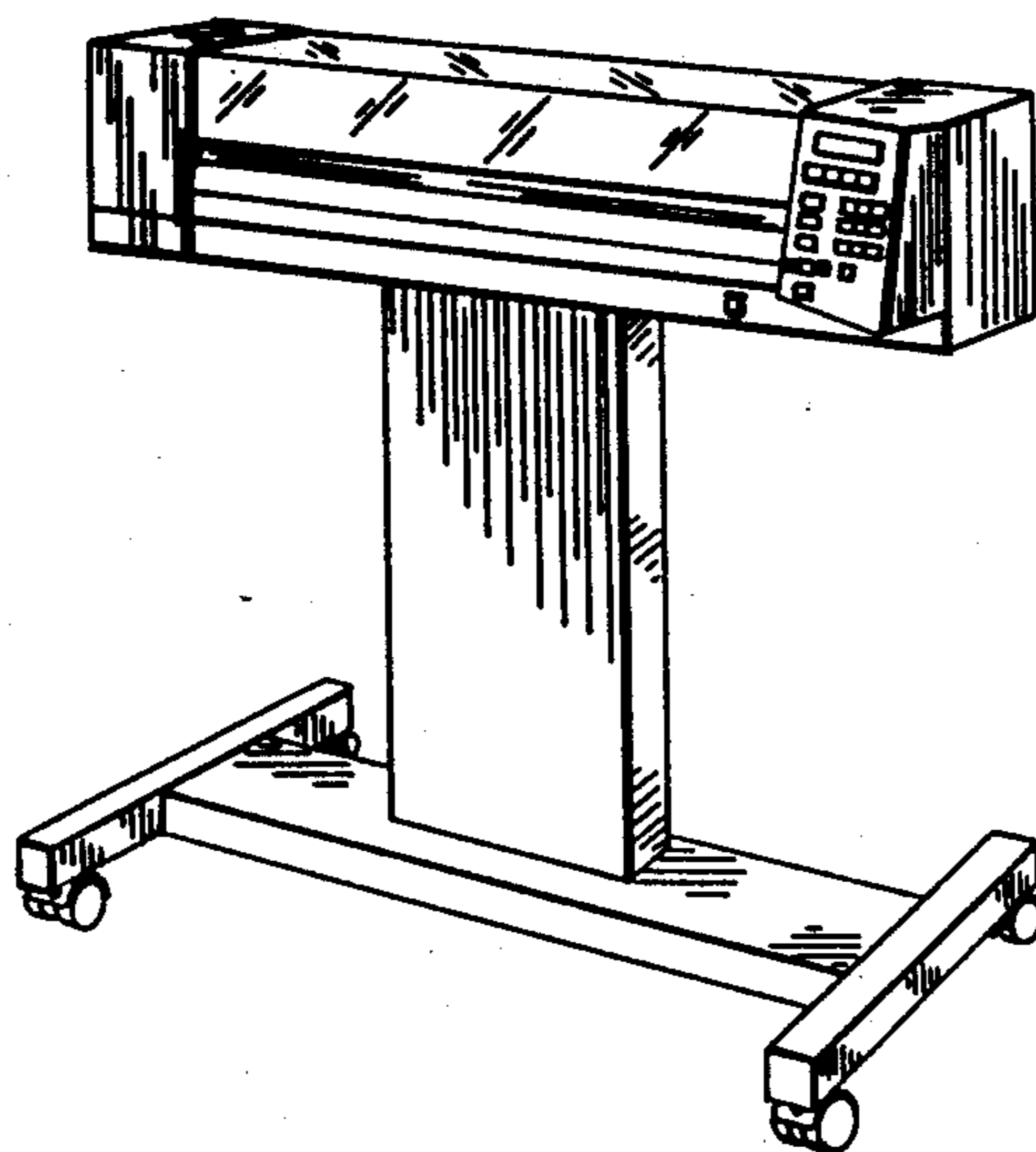
FIG. 3 is a top plan view thereof;

FIG. 4 is a bottom plan view thereof;

FIG. 5 is a left side elevational view thereof;

FIG. 6 is a front elevational view thereof;

FIG. 7 is a rear elevational view thereof.



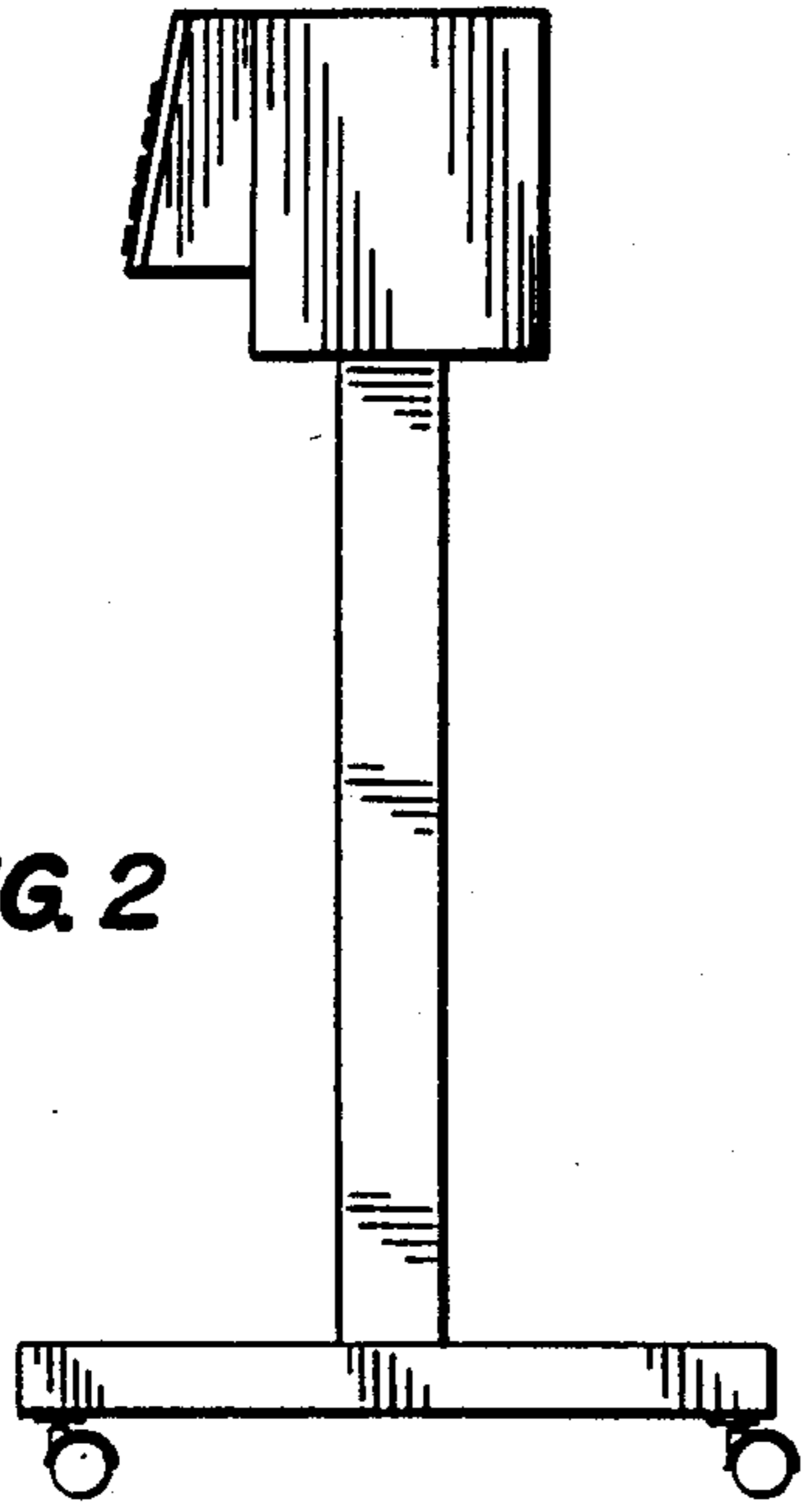


FIG. 2

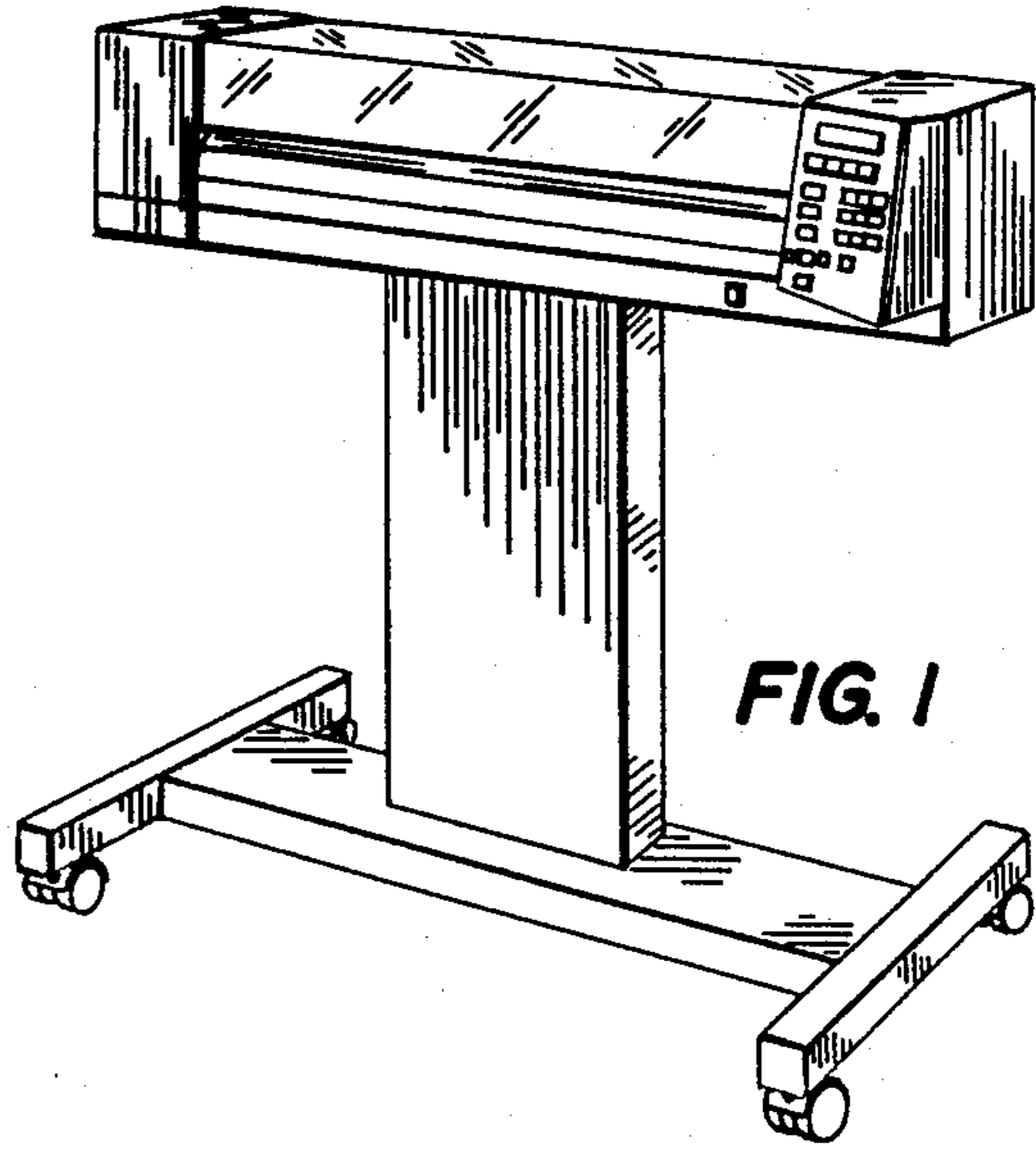


FIG. 1

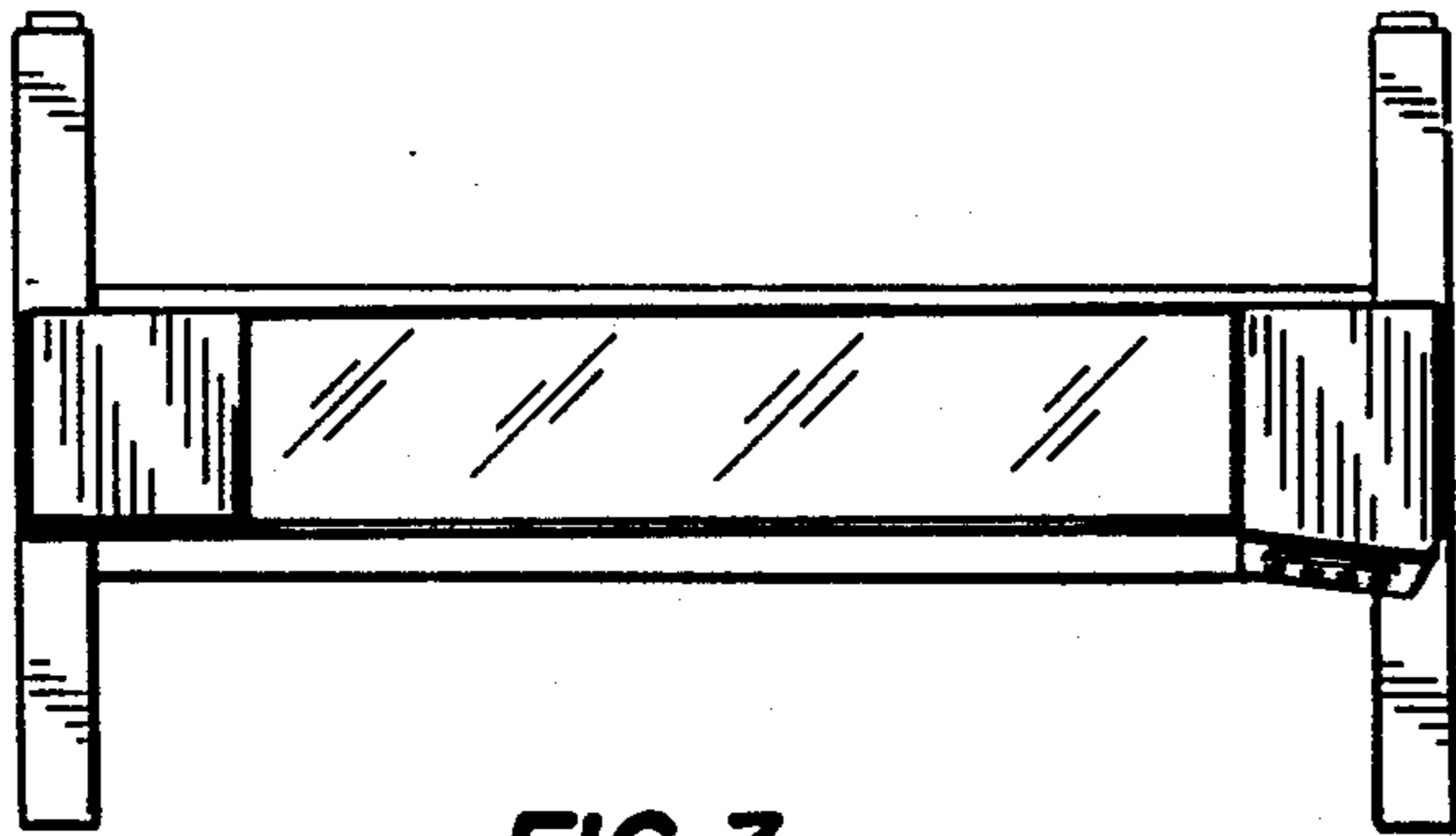


FIG. 3

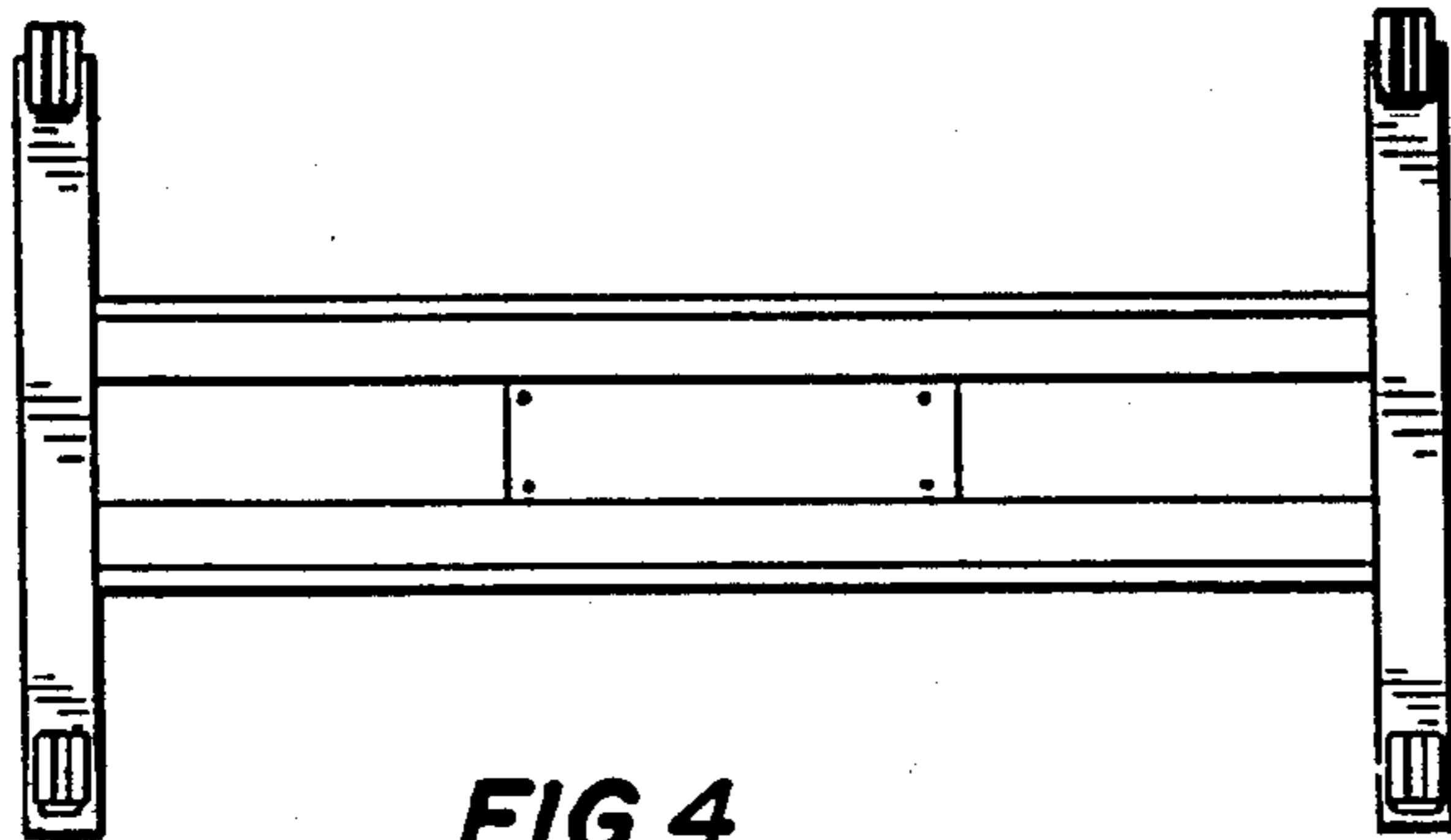


FIG. 4

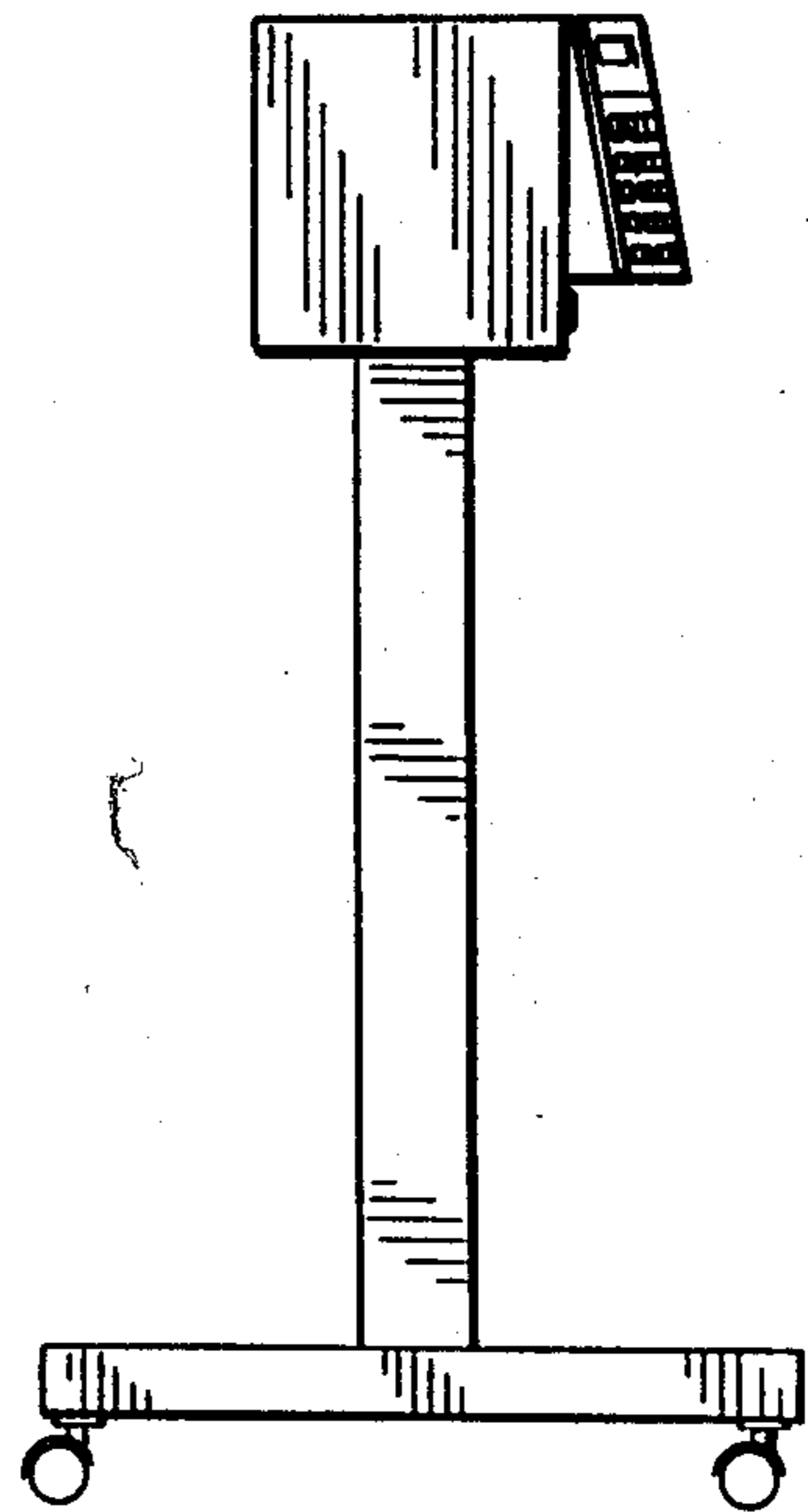


FIG. 5

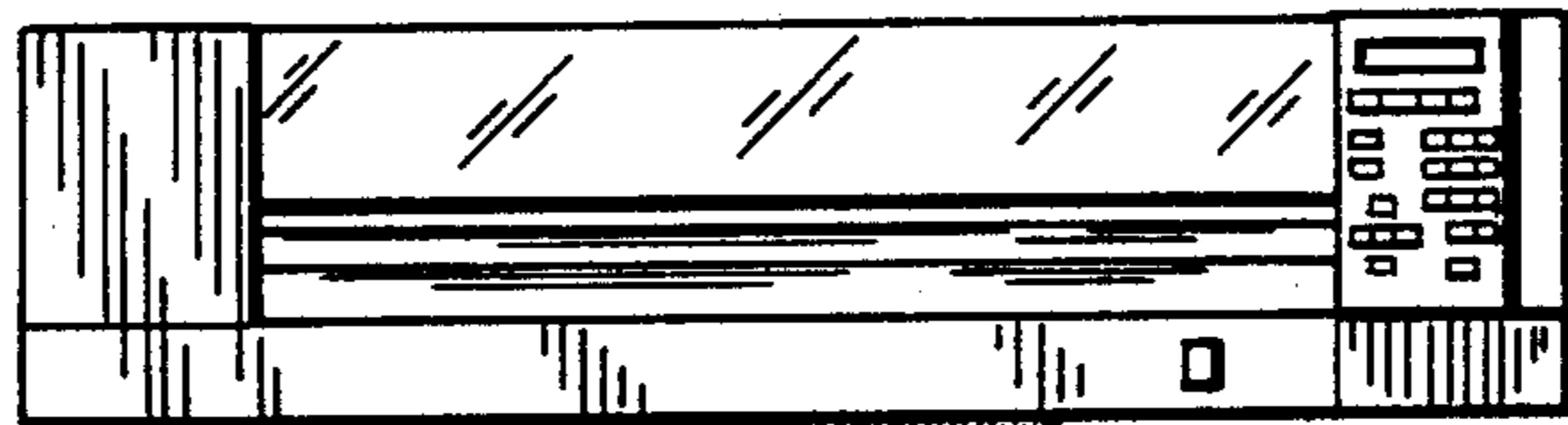


FIG. 6

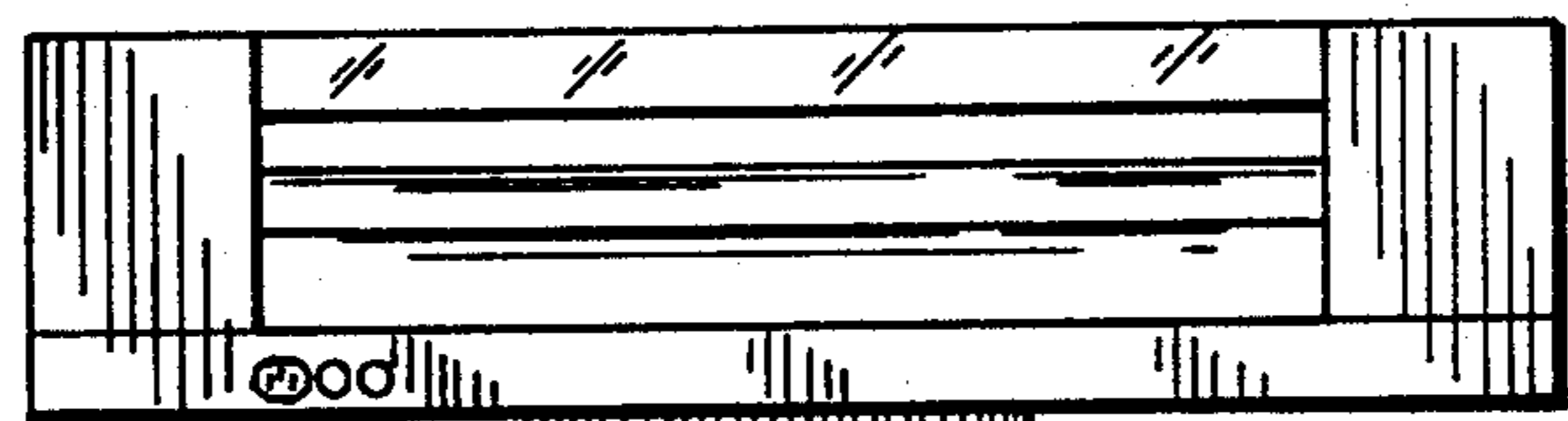
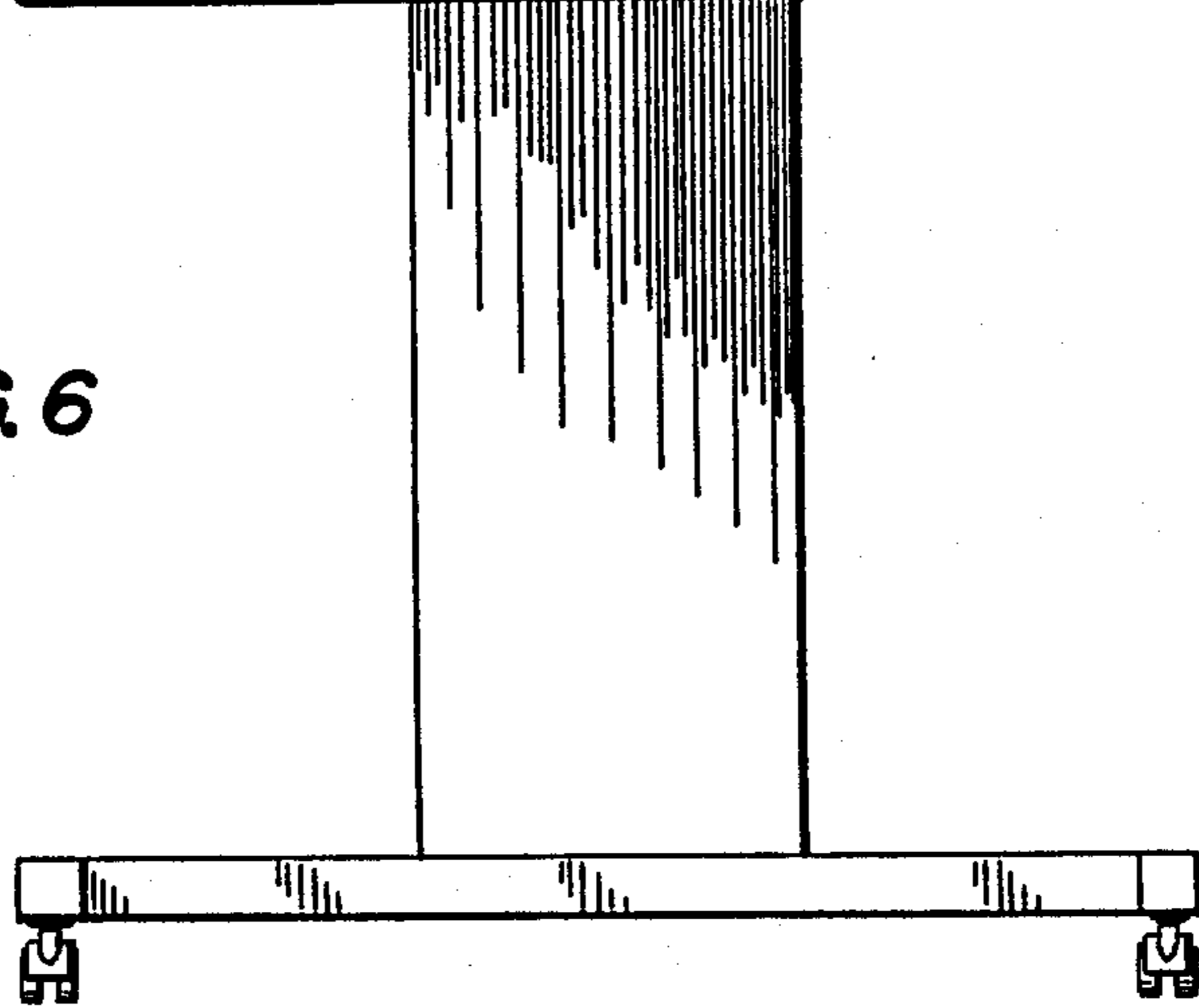


FIG. 7

